



**WORLD HEADQUARTERS
CANADA**

Yorkville Sound
550 Granite Court
Pickering, Ontario
L1W-3Y8 CANADA

Voice: (905) 837-8481
Fax: (905) 837-8746

U.S.A.

Yorkville Sound Inc.
4625 Witmer Industrial Estate
Niagara Falls, New York
14305 USA

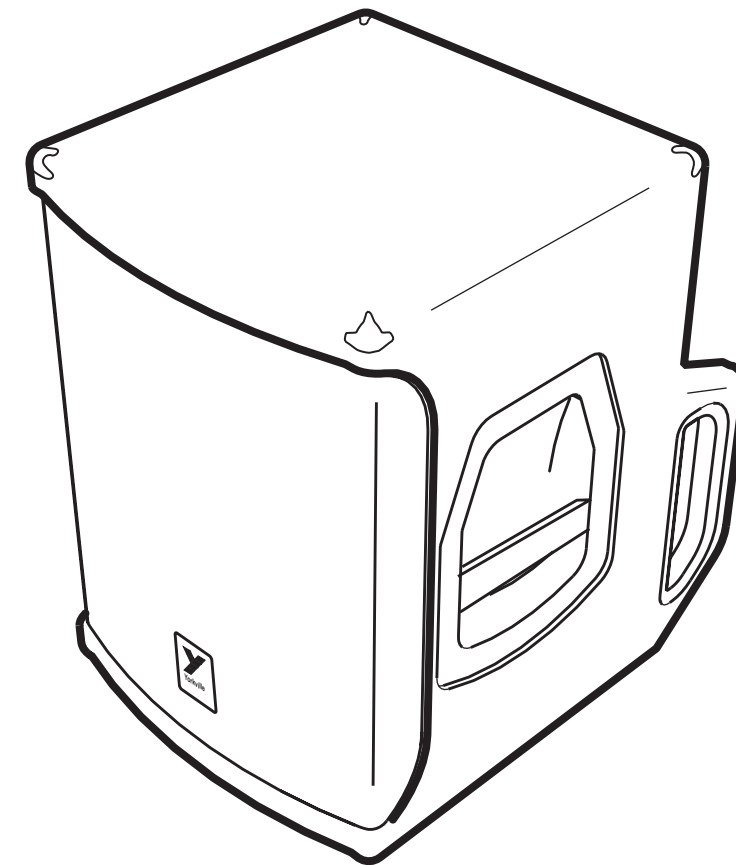
Voice: (716) 297-2920
Fax: (716) 297-3689



Quality and Innovation Since 1963
Printed in Canada



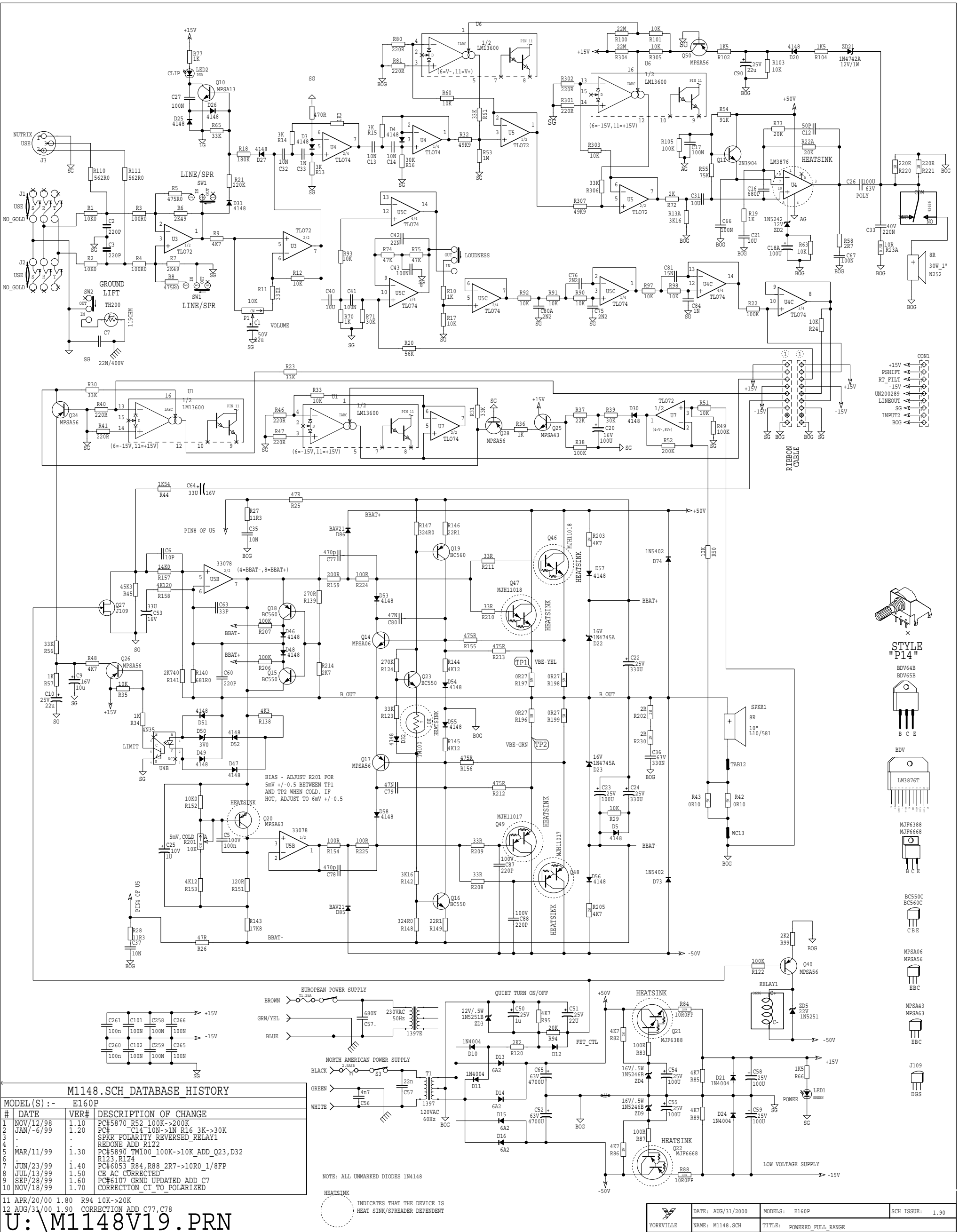
SERVICE MANUAL



E160P

POWERED LOUDSPEAKER SYSTEM

s-e160p-1v1.pdf 9.05.2000

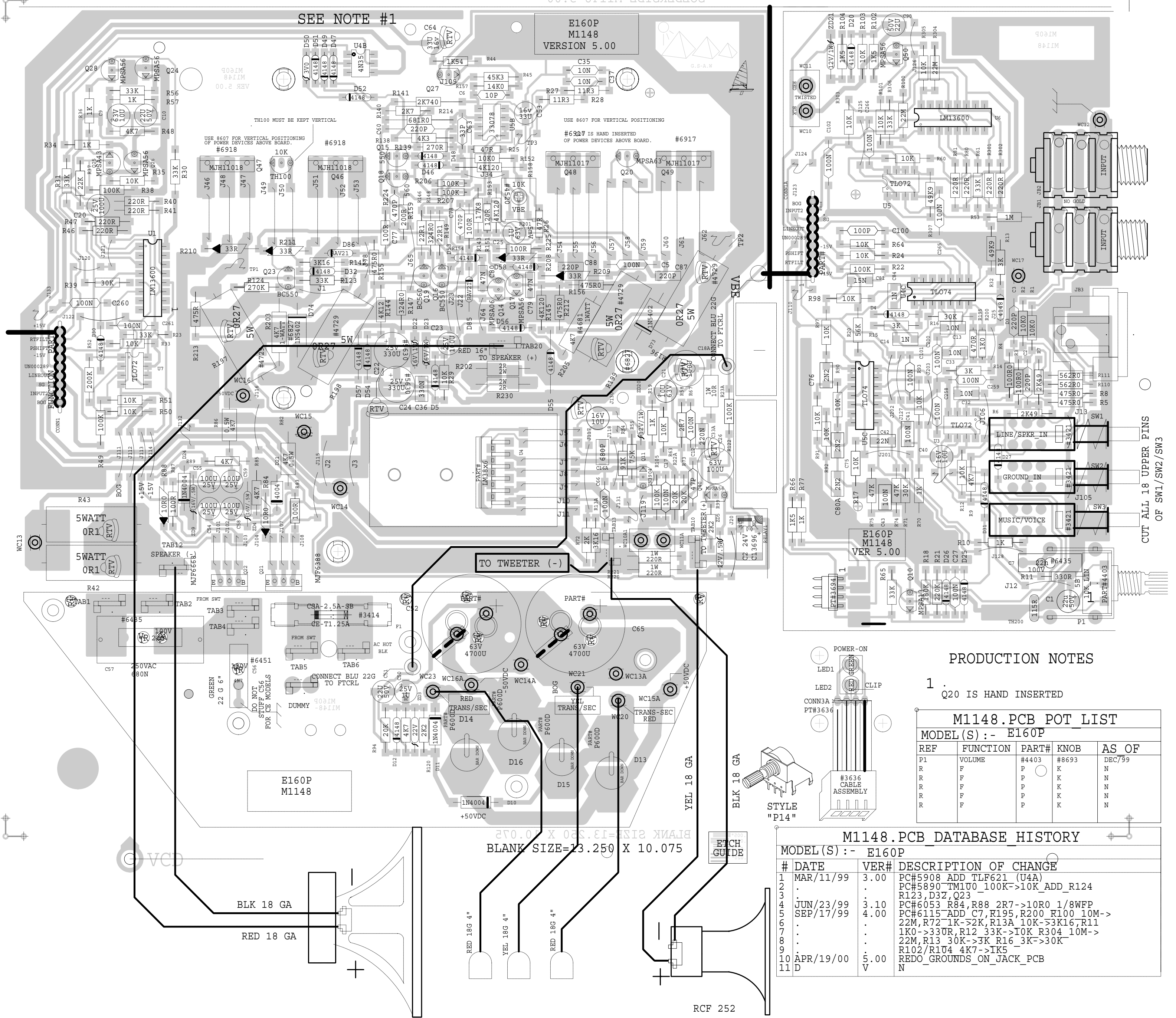


M1148.SCH DATABASE HISTORY

#	DATE	VER#	DESCRIPTION OF CHANGE
1	NOV/12/98	1.10	PCH#5870 R52 100K->200K
2	JAN/-6/99	1.20	PCH# C14 10N->1N R16 3K->30K
3	.	.	SPKR POLARITY REVERSED_RELAY1
4	.	.	REDONE ADD R172
5	MAR/11/99	1.30	PCH#5890 TMI00 100K->10K_ADD Q23,D32 R123,R124
6	JUN/23/99	1.40	PCH#6053 R84,R88 2R7->10R0_1/8FP
7	JUL/13/99	1.50	CE AC CORRECTED
8	SEP/28/99	1.60	PCH#6107 GRND UPDATED ADD C7
9	NOV/18/99	1.70	CORRECTION CI_TO_POLARIZED
11	APR/20/00	1.80	R94 10K->20K
12	AUG/31/00	1.90	CORRECTION ADD C77,C78

U:\M1148V19.PRN

YORKVILLE	DATE: AUG/31/2000	MODELS: E160P	SCH ISSUE: 1.90
	NAME: M1148.SCH	TITLE: POWERED FULL_RANGE	

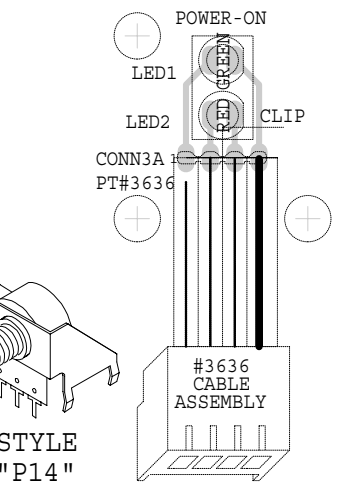


PRODUCTION NOTES

- Q20 IS HAND INSERTED

M1148.PCB POT LIST
MODEL(S) :- E160P

REF	FUNCTION	PART#	KNOB	AS OF
P1	VOLUME	#4403	#8693	DEC/99
				N
				N
				N
				N
				N



M1148.PCB DATABASE HISTORY

MODEL(S) :- E160P

#	DATE	VER#	DESCRIPTION OF CHANGE
1	MAR/11/99	3.00	PC#5908 ADD TLF621 (U4A)
2	.	.	PC#5890 TM100 100K->10K_ADD R124
3	.	.	R123, D32, Q23
4	JUN/23/99	3.10	PC#6053 R84, R88 2R7->10R0 1/8WFP
5	SEP/17/99	4.00	PC#6115 ADD C7, R195, R200 R100 10M->
6	.	.	22M, R72 1K->2K, R13A 10K->3K16, R11
7	.	.	1K0->330R, R12 33K->10K R304 10M->
8	.	.	22M, R13 30K->3K R16 3K->30K
9	.	.	R102/R104 4K7->1K5
10	APR/19/00	5.00	REDO_GROUNDS_ON_JACK_PCB
11	D	V	N