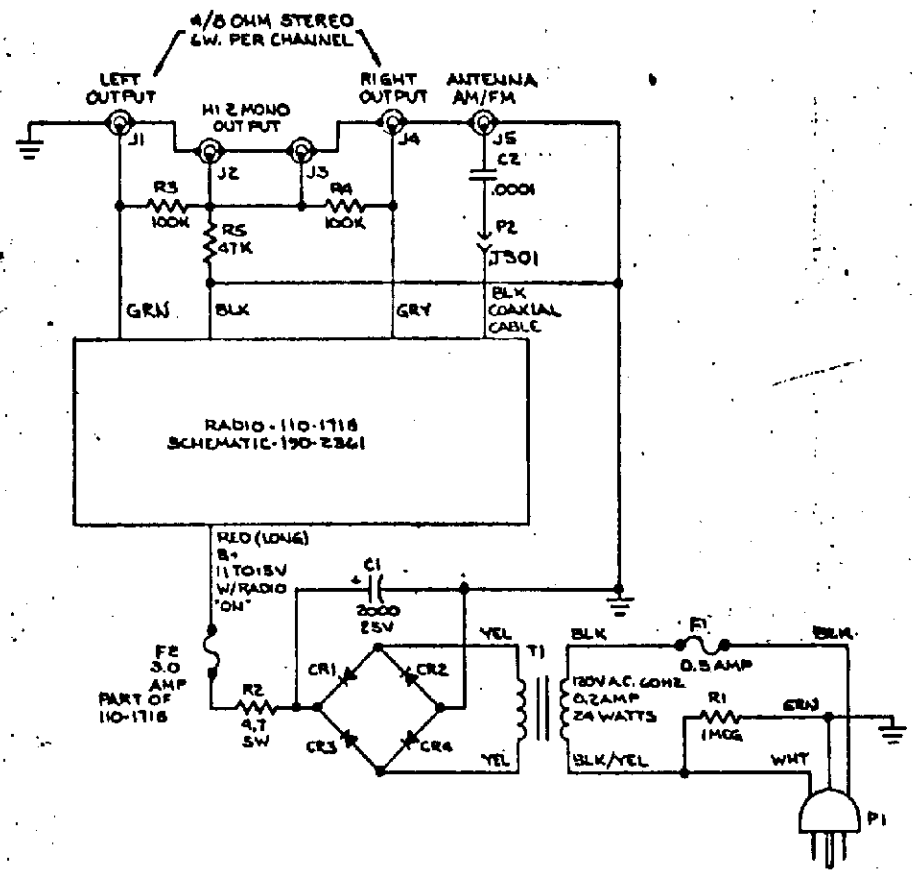


NOTES:
 UNLESS OTHERWISE SPECIFIED:
 1. RESISTORS ARE IN OHMS, K=1
 2. CAPACITORS ARE IN MICROFARAD

190-2362

REVISIONS				
NO.	DESCRIPTION	DATE	APP'D	DATE
01	GRN WAS BLU J501 WAS J6 J5N WAS B5V			



NOTES: UNLESS OTHERWISE SPECIFIED
 1. RESISTANCE VALUE IN OHMS, K=1,000,
 M=1,000,000.
 2. TOLERANCE ON ALL FIXED RESISTORS
 IS ±10%
 3. CAPACITANCE VALUE IN MICROFARADS
 4. RESISTORS TO BE 1/2 WATT.

10

96

MATERIALS		FORM		UNLESS OTHERWISE SPECIFIED		DIMENSIONS ARE IN INCHES		FRACTIONS		PLACES DECIMAL		PLACES DECIMAL		APPROVALS	
NO.	PERT ASSY	USED ON	DUKANE		SCHEMATIC DIAGRAM		TUNER		AM/FM CASSETTE		SCALE FULL		DATE PLANNED: 2-19-79		
			ST CHARLES, ILLINOIS 60114		10A15A								110. 190-2362		01