

Figure 2-7. Tuner Board (Part of 110-1992)

PARTS LIST, Audio Board, Part of 110-1992

REF. No.	DESCRIPTION		
R1	1M $\Omega$	0.25W	Carbon
R2	330 $\Omega$	"	"
R3	3.3k $\Omega$	"	"
R4	10k $\Omega$	"	"
R5	1.8k $\Omega$	0.5W	"
C1	1 $\mu$ F	50V	Electrolytic
C2	1 $\mu$ F	"	"
C3	100 $\mu$ F	16V	"
C4	100 $\mu$ F	"	"
C5	0.001 $\mu$ F	50V	Ceramic
ZD1	Zener Diode Vz=12V		
TR1	Transistor 2SC1328T		
TR2	" 2SC1846Q		

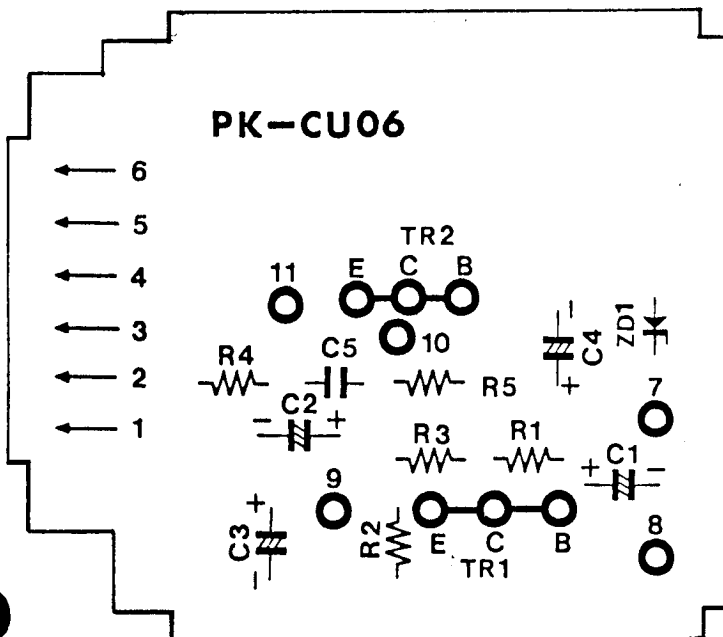
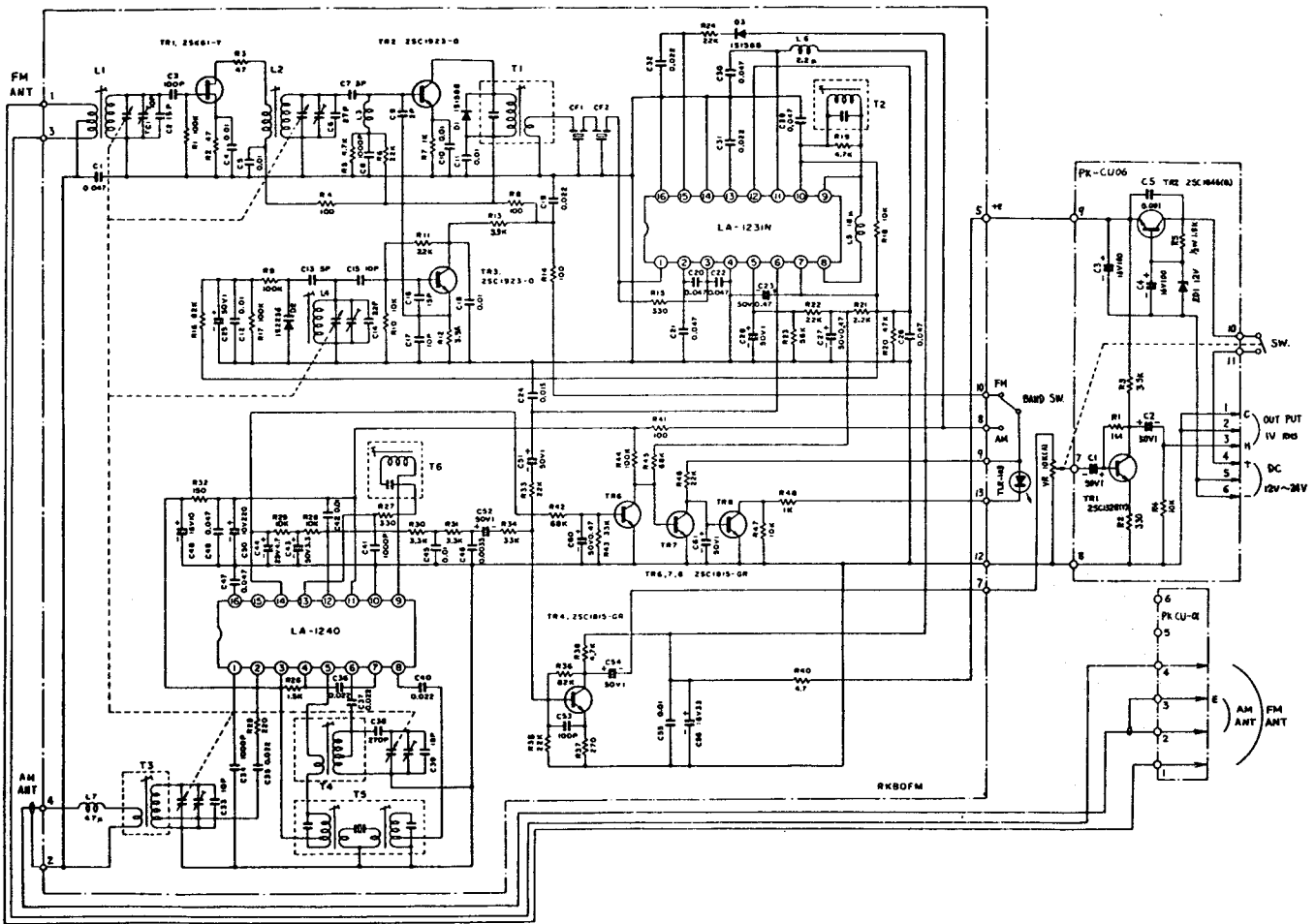


Figure 2-8. Audio Board (Part of 110-1992)



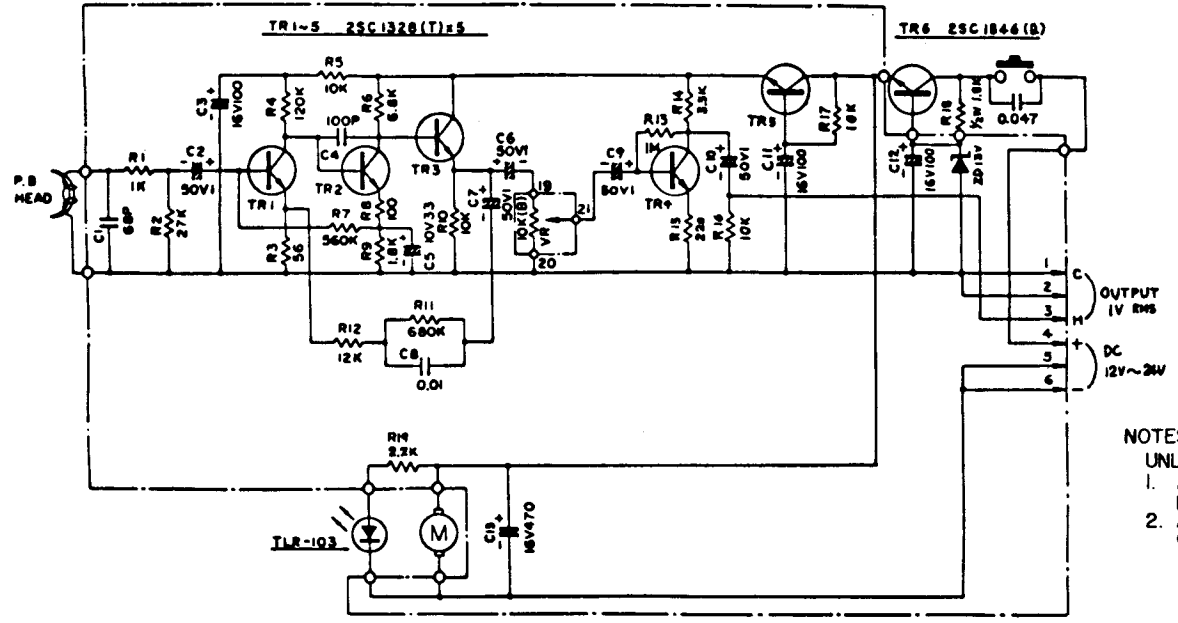
REVISIONS			
ISS.	DESCRIPTION	APPD	DATE

NOTES:  
 UNLESS OTHERWISE SPECIFIED:  
 1. ALL CAPACITANCE VALUES ARE IN MICROFARADS.  
 2. ALL RESISTANCE VALUES ARE IN OHMS.

MATERIAL		FINISH		2 PLACE DECIMAL: ±		3 PLACE DECIMAL: ±		ANGLES: ±	
REQ.	NEXT ASSY	USED ON	UNLESS OTHERWISE SPECIFIED:	DIMENSIONS ARE IN INCHES	FRACTIONS: ±	SCALE	DATE DRAWN	12-22-81	
APPLICATION			<b>DUKANE</b>		SCHEMATIC DIAGRAM		DRAWN G.D.		APPD
			ST CHARLES, ILLINOIS 60174		FM-AM TUNER		CHECKED		ENGR.
					110-1992		NO. 190-2629		00
							SHEET		OF
							ISS.		

Figure 2-10. Schematic Diagram - AM/FM Tuner 110-1992

REVISIONS			
ISS.	DESCRIPTION	APP'D	DATE



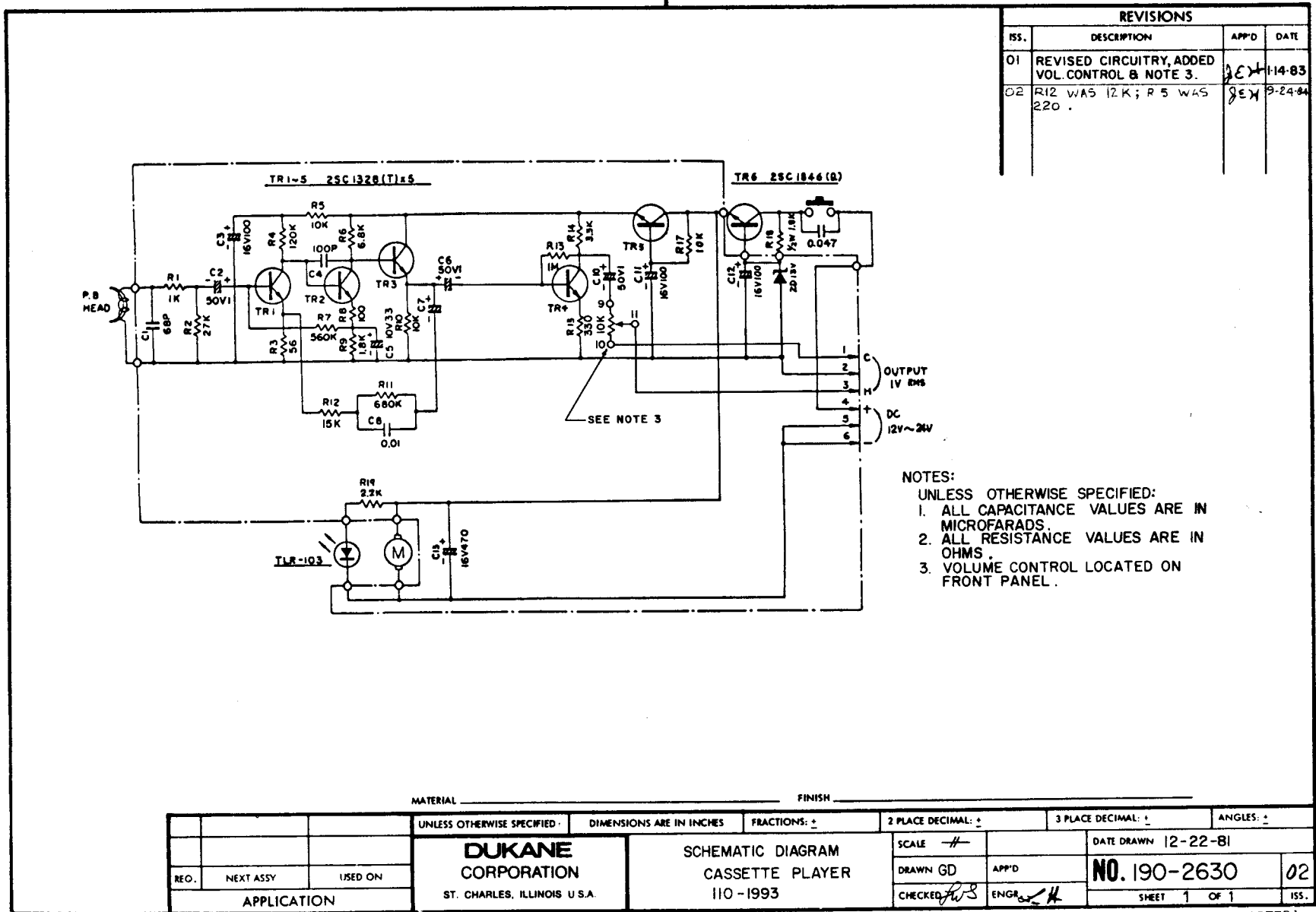
NOTES:  
 UNLESS OTHERWISE SPECIFIED:  
 1. ALL CAPACITANCE VALUES ARE IN MICROFARADS.  
 2. ALL RESISTANCE VALUES ARE IN OHMS.

THIS SCHEMATIC REPRESENTS THE FIRST UNITS SHIPPED.

MATERIAL _____ FINISH _____			UNLESS OTHERWISE SPECIFIED ·		DIMENSIONS ARE IN INCHES		FRACTIONS: ±		2 PLACE DECIMAL: ±		3 PLACE DECIMAL: ±		ANGLES: ±	
APPLICATION			<b>DUKANE CORPORATION</b> ST. CHARLES, ILLINOIS U.S.A.		SCHEMATIC DIAGRAM CASSETTE PLAYER 110-1993		SCALE #		DATE DRAWN 12-22-81		<b>NO. 190-2630</b>		00	
REQ.	NEXT ASSY	USED ON					DRAWN GD		APP'D					
							CHECKED <i>W.S.</i>		ENGR. <i>W.H.</i>					

Figure 2-11. Schematic Diagram - Cassette Player 110-1993 (early version)

Figure 2-12. Schematic Diagram - Cassette Player 110-1993 (late version)



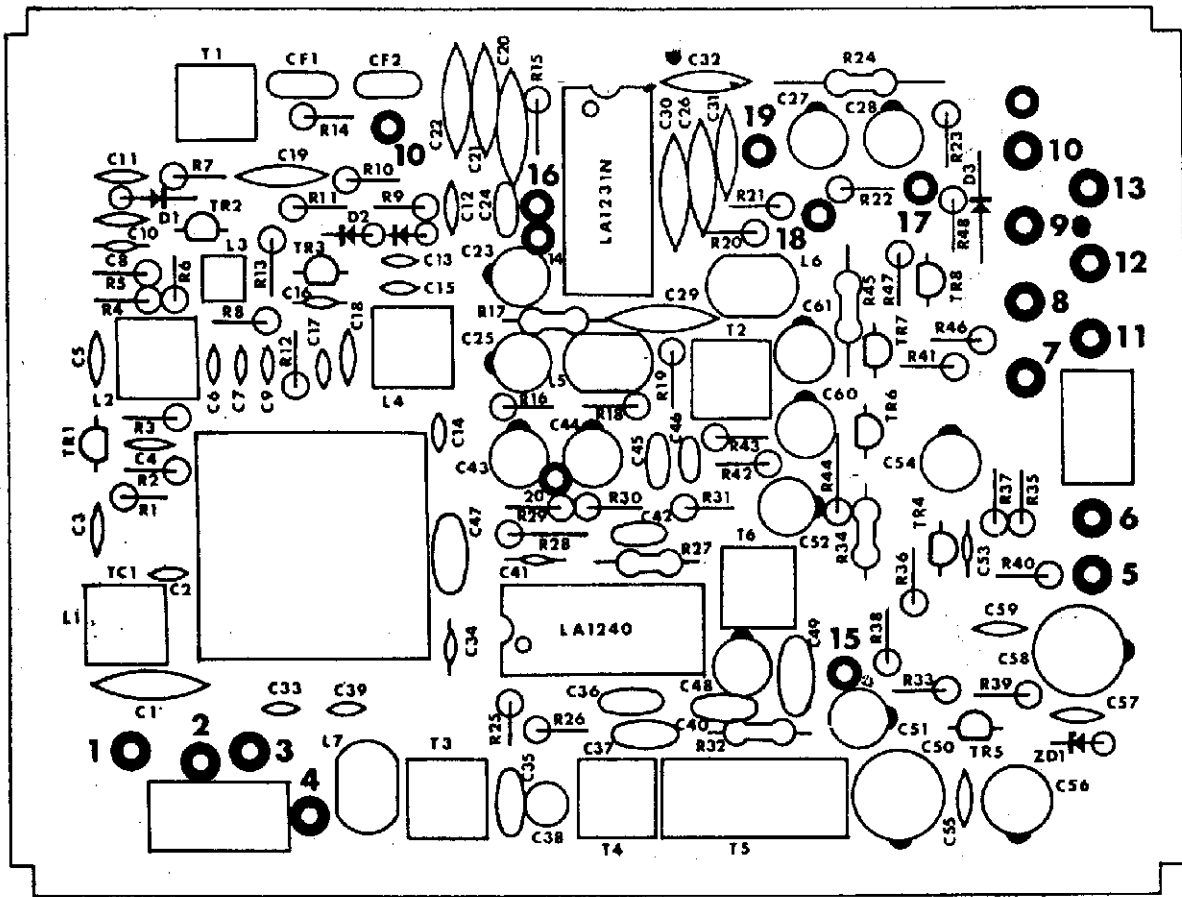


Figure 2-7. Tuner Board (Part of 110-1992)

PARTS LIST, Audio Board, Part of 110-1992

REF. No.	DESCRIPTION
R1	1M $\Omega$ 0.25W Carbon
R2	330 $\Omega$ " "
R3	3.3k $\Omega$ " "
R4	10k $\Omega$ " "
R5	1.8k $\Omega$ 0.5W "
C1	1 $\mu$ F 50V Electrolytic
C2	1 $\mu$ F " "
C3	100 $\mu$ F 16V "
C4	100 $\mu$ F " "
C5	0.001 $\mu$ F 50V Ceramic
ZD1	Zener Diode Vz = 12V
TR1	Transistor 2SC1328T
TR2	" 2SC1846Q

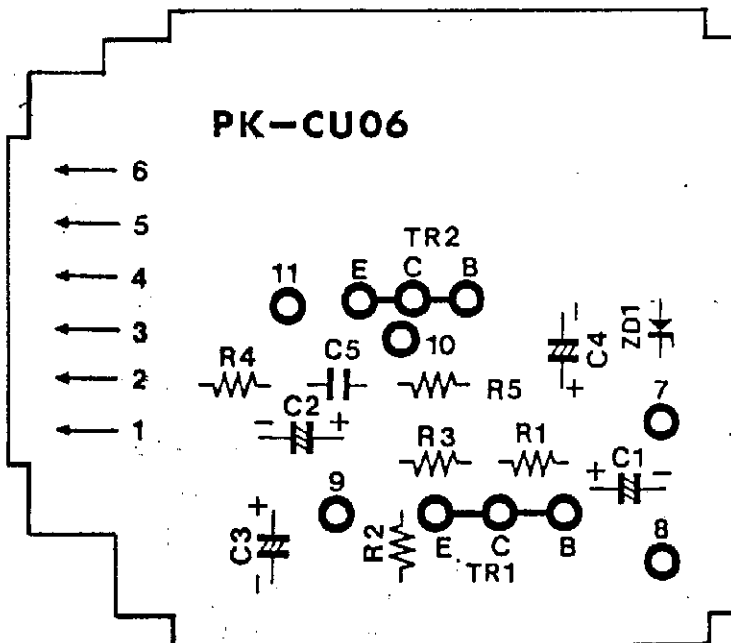


Figure 2-8. Audio Board (Part of 110-1992)

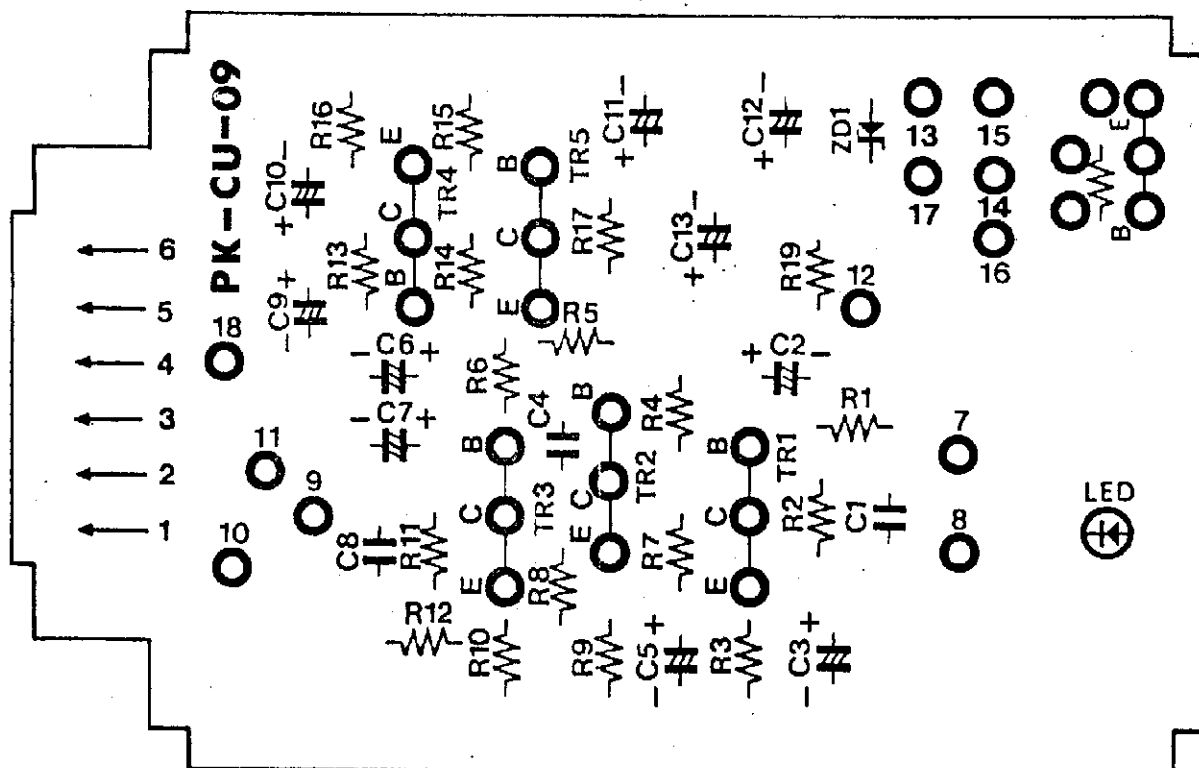


Figure 2-9. Cassette Board (Part of 110-1993)

PARTS LIST 110-1993

REF. No.	DESCRIPTION	REF. No.	DESCRIPTION
R1	1kΩ	C1	68pF 50V Ceramic
R2	27kΩ	C2	1μF " Electrolytic
R3	56Ω	C3	100μF 16V "
R4	120kΩ	C4	100pF 50V Ceramic
R5	10kΩ	C5	33μF 10V Electrolytic
R6	6.8kΩ	C6	1μF 50V "
R7	560kΩ	C7	1μF " "
R8	100Ω	C8	0.01μF " Film
R9	1.8kΩ	C9	1μF " Electrolytic
R10	10kΩ	C10	1μF " "
R11	680kΩ	C11	100μF 16V "
R12	15kΩ	C12	100μF " "
R13	1MΩ	C13	470μF " "
R14	3.3kΩ	ZD1	Zener Diode Vz = 13V
R15	330Ω	TR1 ~ 5	Transistor 2SC1328T
R16	10kΩ	TR6	Transistor 2SC1846Q
R17	10kΩ		
R18	1.8kΩ 0.5W		
R19	2.2kΩ 0.25W		