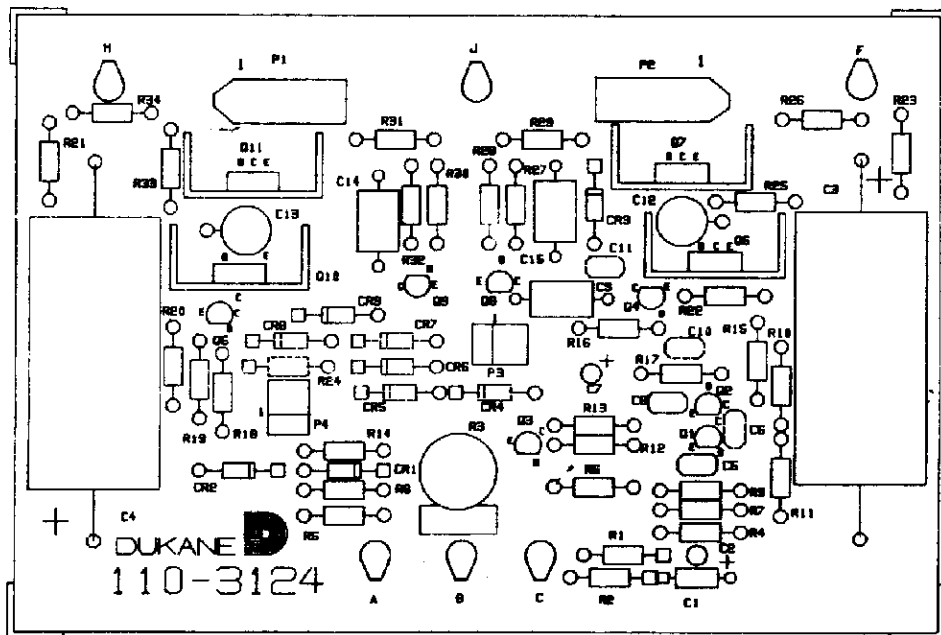
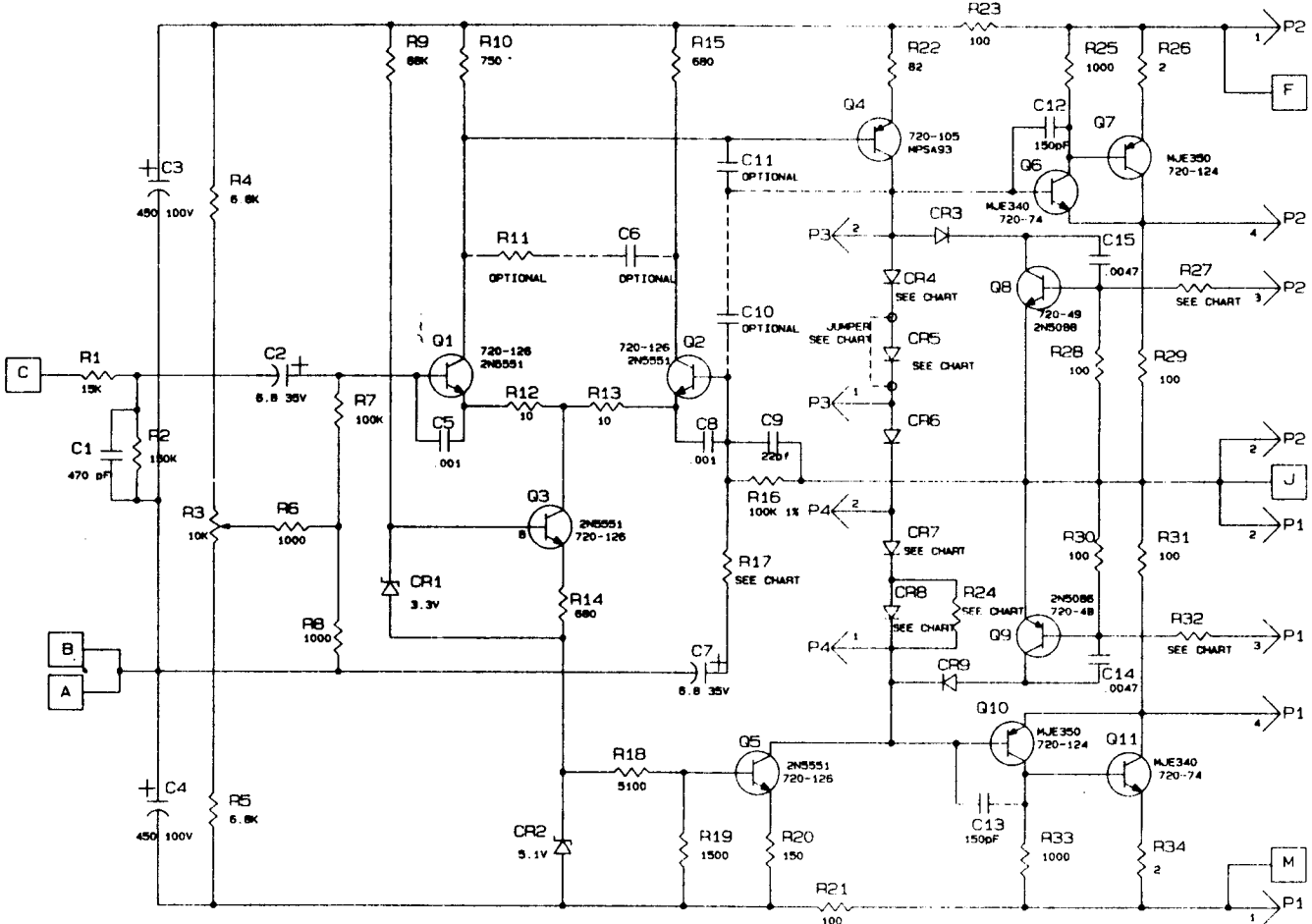


Repair Parts List – 110-3124 Direct Coupled Driver Board
(Schematic Drawing 190-2779)

Legend	Description	Dukane Part Number
C1	Capacitor, 470pF, 33V, Poly	199-4003-471
C2, 7	Capacitor, 6.8uF, 35V, Tantalum	199-2036-685
C3, 4	Capacitor, 450uF, 100V, Electrolytic	199-2068-457
C5, 8	Capacitor, 0.001uF, 500V, Disc	199-1006-102
C9	Capacitor, 22pF, 630V, 2.5%, Poly	199-4028-220
C12, 13	Capacitor, 150pF, 630V, 2.5%, Poly	199-4028-151
C14, 15	Capacitor, 4700pF, 63V, 2.5%, Poly	199-4004-472
CR1	Diode, Zener, 3.3V	230-19-003R3
CR2	Diode, Zener, 5.1V	230-19-005R1
CR3, 6, 9	Rectifier, Silicon	595-44
Q1, 2, 3, 5	Transistor, 2N5551	720-126
Q4	Transistor, MPS A93	720-105
Q6, 11	Transistor, MJE 340	720-74
Q7, 10	Transistor, MJE 350	720-124
Q8	Transistor, 2N5088	720-49
Q9	Transistor, 2N5086	720-48
R1	Resistor, 15k Ohm, 1/2W, 5%	600-0073-153
R2	Resistor, 150k Ohm, 1/2W, 5%	600-0073-154
R3	Potentiometer, 10k Ohm	601-1004-103
R4, 5	Resistor, 6.8k Ohm, 1/2W, 5%	600-0073-682
R6, 8, 25, 33	Resistor, 1000 Ohm, 1/2W, 5%	600-0073-102
R7	Resistor, 100k Ohm, 1/2W, 5%	600-0073-104
R9	Resistor, 68k Ohm, 1/2W, 5%	600-0073-683
R10	Resistor, 750 Ohm, 1/2W, 5%	600-0073-751
R12, 13	Resistor, 10 Ohm, 1/2W, 5%	600-0073-100
R14, 15	Resistor, 680 Ohm, 1/2W, 5%	600-0073-681
R16	Resistor, 100k Ohm, 1/2W, 1%	600-2005-384
R17	Resistor, 2.8k Ohm, 1/2W, 1%	600-2005-236
R18	Resistor, 5100 Ohm, 1/2W, 5%	600-0073-512
R19	Resistor, 1500 Ohm, 1/2W, 5%	600-0073-152
R20, 27, 32	Resistor, 150 Ohm, 1/2W, 5%	600-0073-151
R21, 23, 28, 29, 30, 31	Resistor, 100 Ohm, 1/2W, 5%	600-0073-101
R22	Resistor, 82 Ohm, 1/2W, 5%	600-0073-820
R26, 34	Resistor, 2 Ohm, 1/2W, 5%	600-0073-2R0



REVISIONS			
ISS	DESCRIPTION	APP'D	DATE



- NOTES
UNLESS OTHERWISE SPECIFIED
1. ALL FIXED RESISTORS ARE IN OHMS (K=1000) 50 WATT, ±5%
 2. CAPACITORS ARE IN MICROFARADS
 3. DENOTES FASTON LUG
 4. DENOTES CONNECTOR

SUBSTITUTE VALUES AS SHOWN BELOW

REF. DESIG.	110-3152 VALUE	110-3153 VALUE	110-3154 VALUE
R17	2.8K 1%	3.74K 1%	6.81K 1%
R27	150	220	100
R32	150	220	100
CR4	X	X	1N5061
CR5	X	X	JUMPER
CR7	X	X	1N5061
CR8	X	X	1N5061
R24	X	X	SELECTED

X INDICATES NO COMPONENT

SCHEMATIC 190-2779			
COMPONENT	LAST USED	NOT USED	
CAPACITOR	C15		
DIODE	CR9		
INT. CKT			
RESISTOR	R34		
TRANSISTOR	Q11		

110-3154	
110-3153	
110-3152	110-3124
REF.	NEXT ASSY.
	FIRST USED
APPLICATION	

UNLESS OTHERWISE SPECIFIED DIMENSIONS ARE IN INCHES FRACTIONS: 1/64 2 PLACE DECIMAL: .01 3 PLACE DECIMAL: .002 ANGLES: °

DUKANE CORPORATION SCHEMATIC DIRECT COUPLE DRVR. BD. 110-3124

ST. CHARLES, ILLINOIS U.S.A.

SCALE: DRAWN BY: APP'D: **PN 190-2779** 00 DATE DRAWN: 2/29/74 CHECKED: ENGR: SHEET 1 OF 1 155

51 4-8