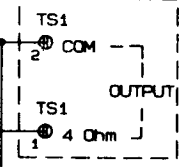
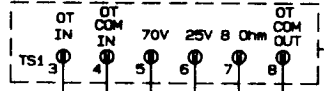


| REVISIONS | | | |
|-----------|-------------|-------|------|
| NO. | DESCRIPTION | APP D | DATE |
| | | | |
| | | | |

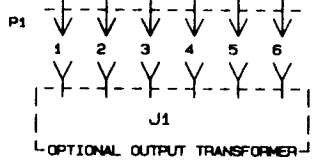
PART OF
1A2250
1A2125
1A2060



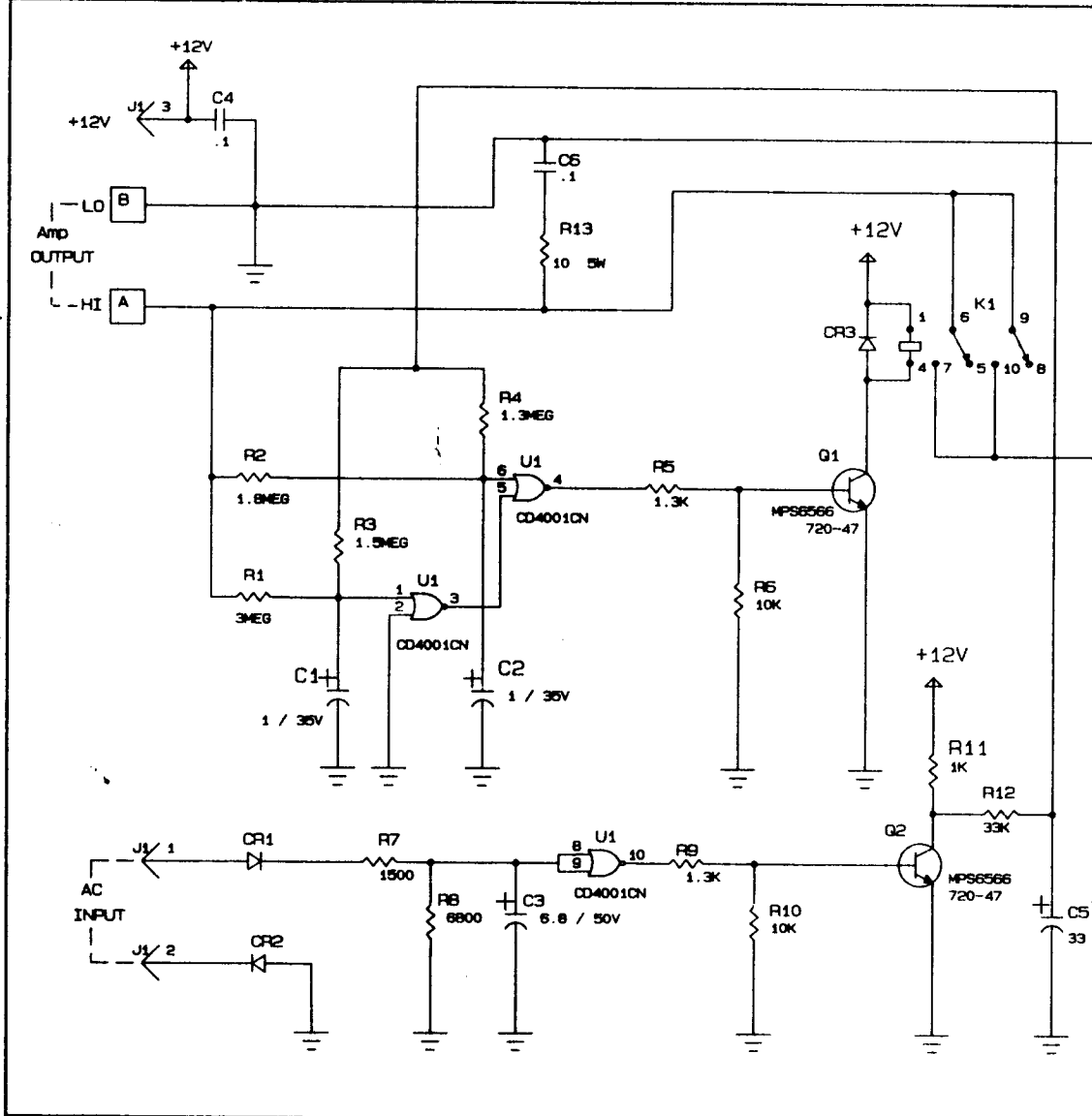
- NOTES:
UNLESS OTHERWISE SPECIFIED
1. ALL FIXED RESISTORS ARE IN OHMS
K=1000 .25 WATT ±5%
 2. CAPACITORS ARE IN MICROFARADS
 3. □ DENOTES FASTON LUG
 4. → DENOTES CONNECTOR
 5. ⊕ DENOTES SCREW TERMINAL



PART OF
1A2250
1A2125
1A2060



| IC POWER CHART | | | | |
|----------------|--------|----------|------|-----|
| DESIG | P/N | TYPE | +12V | GND |
| U1 | 409-54 | CD4001CN | 14 | 7 |



4-4

11

| SCHEMATIC 190-2790 | | |
|--------------------|-----------|----------|
| COMPONENT | LAST USED | NOT USED |
| CAPACITOR | C6 | |
| DIODE | CR3 | |
| INT. CKT. | U1 | |
| RESISTOR | R13 | |
| TRANSISTOR | Q2 | |

MATERIAL _____ FINISH _____

| | | | | | |
|-----------------------------|--------------------------|------------------|--|------------------------|-----------------|
| UNLESS OTHERWISE SPECIFIED | DIMENSIONS ARE IN INCHES | FRACTIONS - 1/64 | 2 PLACE DECIMAL - .01 | 3 PLACE DECIMAL - .008 | ANGLES - ° |
| 110-3133 | DUKANE CORPORATION | | SCHEMATIC SPEAKER PROTECTOR AND OUTPUT DELAY | | SCALE - |
| ST. CHARLES ILLINOIS U.S.A. | DATE ORDN 3/14/64 | | DRN BH | | APP D |
| APPLICATION | 110-3133 | | CHECKED | | NO. 190-2790 00 |
| | | | | | SHEET 1 OF 1 |

Repair Parts List — 110-3133 Speaker Protector and Output Delay
(Schematic Drawing 190-2790)

| Legend | Description | Dukane Part Number |
|---------|---|--------------------|
| C1, 2 | Capacitor, 1uF, 35V, Electrolytic | 199-2054-105 |
| C3 | Capacitor, 6.8uF, 50V, Electrolytic | 199-2062-685 |
| C4 | Capacitor, 0.1uF, 50V, Ceramic | 199-9327 |
| C5 | Capacitor, 33uF, 25V, Electrolytic | 199-2063-336 |
| C6 | Capacitor, 0.1uF, 200WVDC, Electrolytic | 199-4046-104 |
| CR1-CR3 | Rectifier, Silicon | 595-44 |
| K1 | Relay, 12Vdc, 2 Form C | 596-250 |
| Q1, 2 | Transistor, MPS6566 | 720-47 |
| R1 | Resistor, 3 Megohm, 1/4W, 5% | 600-0039-305 |
| R2 | Resistor, 1.8 Megohm, 1/4W, 5% | 600-0039-185 |
| R3 | Resistor, 1.5 Megohm, 1/4W, 5% | 600-0039-155 |
| R4 | Resistor, 1.3 Megohm, 1/4W, 5% | 600-0039-135 |
| R5, 9 | Resistor, 1300 Ohm, 1/4W, 5% | 600-0039-132 |
| R6, 10 | Resistor, 10k Ohm, 1/4W, 5% | 600-0039-103 |
| R7 | Resistor, 1500 Ohm, 1/4W, 5% | 600-0039-152 |
| R8 | Resistor, 6800 Ohm, 1/4W, 5% | 600-0039-682 |
| R11 | Resistor, 1000 Ohm, 1/4W, 5% | 600-0039-102 |
| R12 | Resistor, 33k Ohm, 1/4W, 5% | 600-0039-333 |
| R13 | Resistor, 10 Ohm, 5W, 5% | 600-1050-100 |
| U1 | Integrated Circuit, 4001B | 409-54 |

