

EXTERNAL CONNECTIONS

DUKANE MODEL 15A220 SUPERVISORY SIGNAL GENERATOR

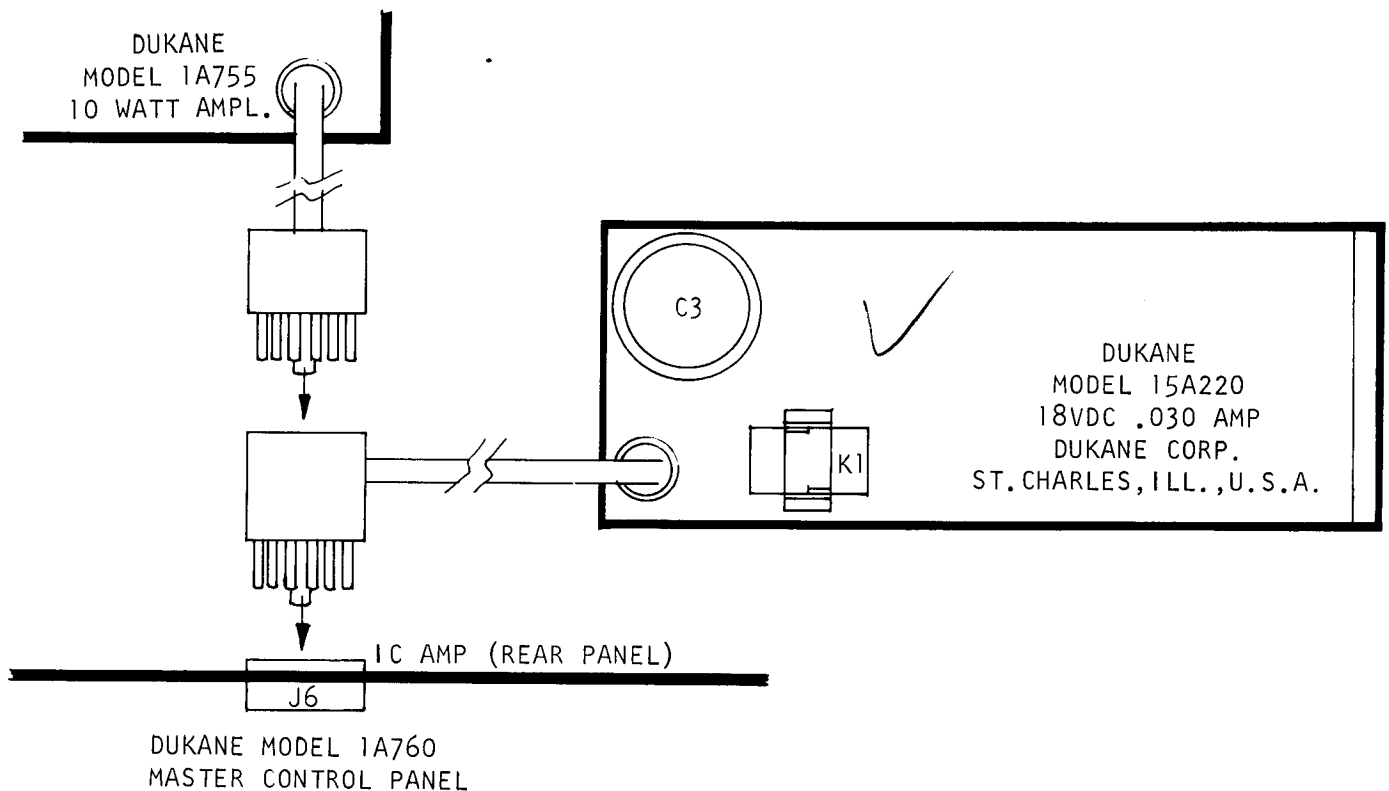
GENERAL DESCRIPTION -

The DuKane Model 15A220 Supervisory Signal Generator is designed to provide a periodic tone for room speaker lines to notify that a room or speaker area is being monitored. The signal generator operates continuously while system power is on and the tone is put on the speaker line automatically whenever the intercom unit is set to "listen" and the room speaker selector switch is set to "I.C."

INSTALLATION NOTES -

Power and control for the Model 15A220 Supervisory Signal Generator is obtained from a 12-terminal IC AMP receptacle on rear panel of DuKane Model 1A760 Master Control Panel; the receptacle built into the top of the plug on the end of the cable from the 15A220 chassis provides power and control for the DuKane Model 1A755 10-Watt Program/I.C. Amplifier, which normally connects into the 12-terminal receptacle on rear panel of Master Control Panel.

Bottom cover for 15A220 chassis may be mounted in any convenient location permitting cable connection at the IC AMP receptacle on the Master Control Panel. Chassis is held in place in bottom cover with a screw at one end. Mounting screws are furnished with 15A220 together with spacers and vibration-proof grommets; use bottom cover of chassis for a drilling template.

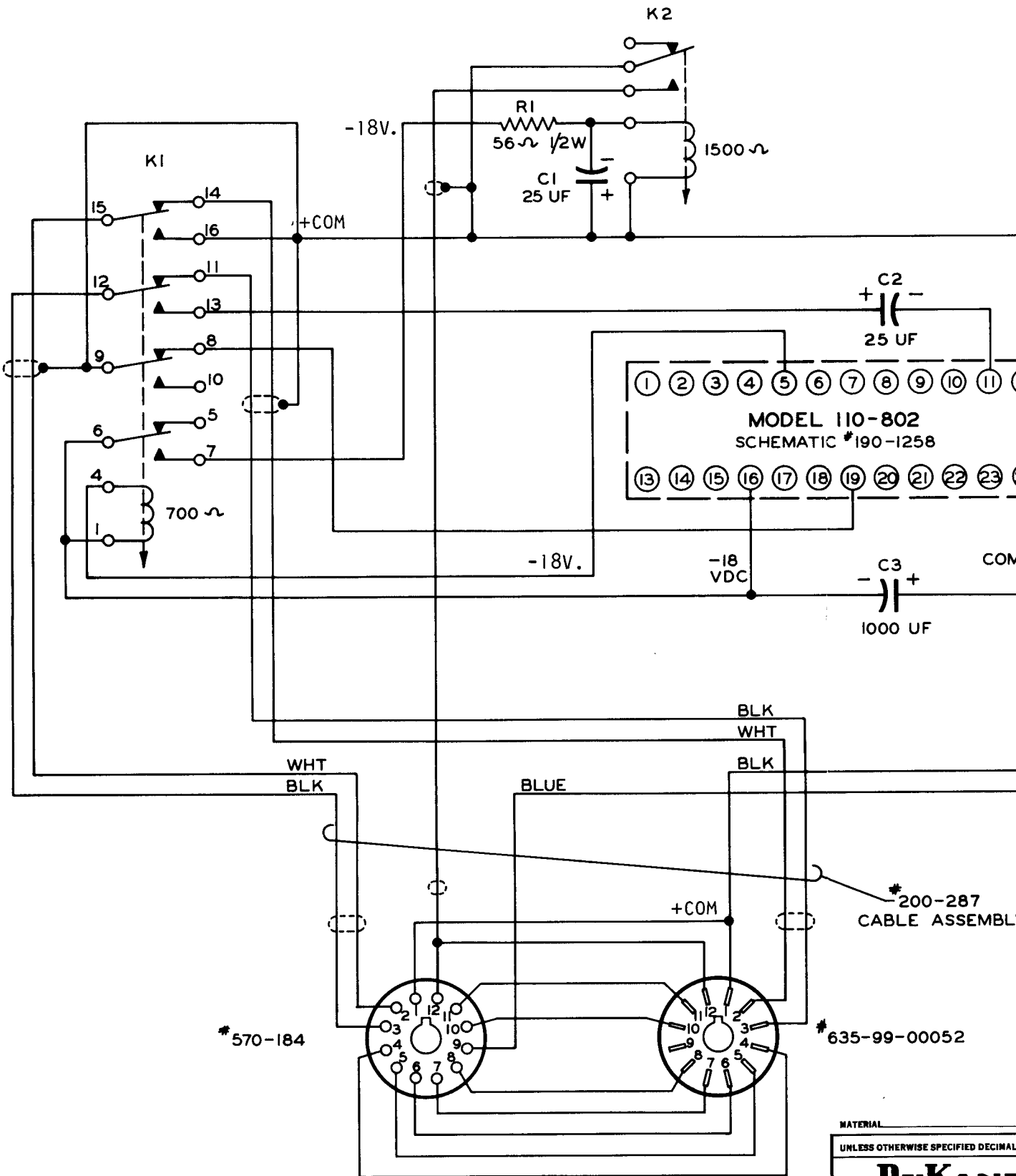


D

C

B

A



404-216

MATERIAL
UNLESS OTHERWISE SPECIFIED DECIMAL

DuKANE
Corporation
ESTABLISHED 1922
ST. CHARLES, ILLINOIS U.S.A.

5A220

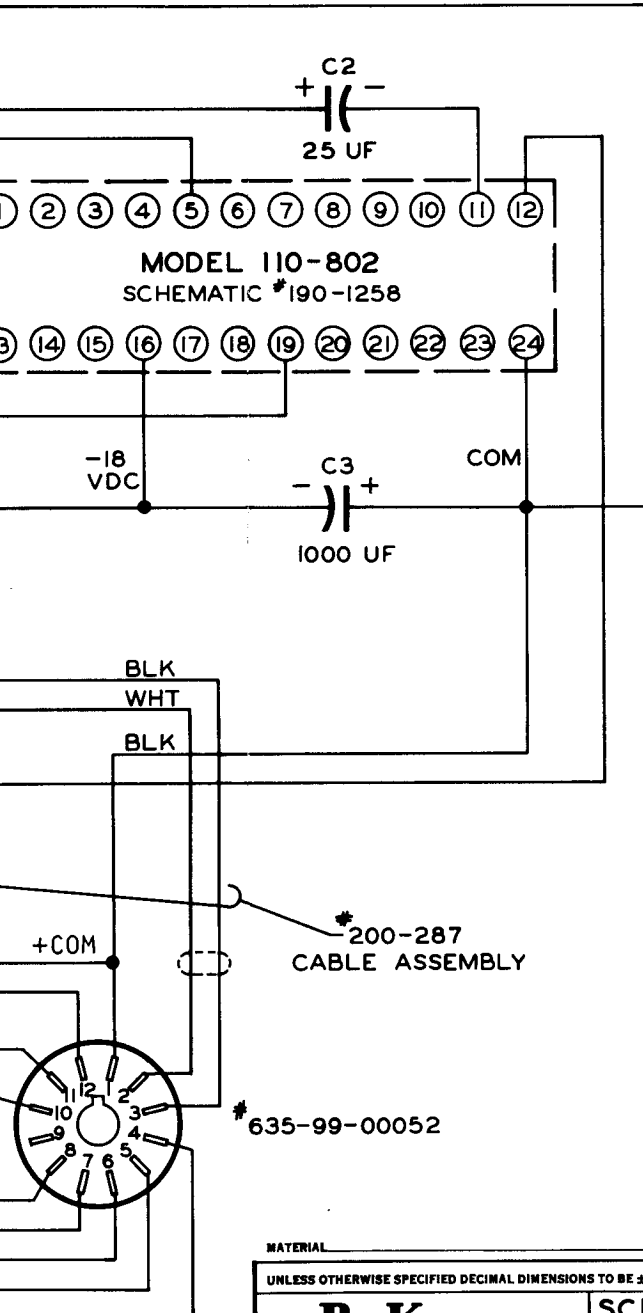
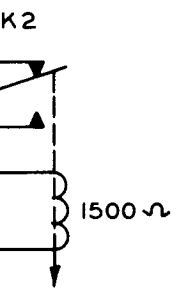
3

2

190-1259

LIST OF ELECTRICAL PARTS

LEG.	DESCRIPTION	QTY	PART NO.
C1,C2	CAPACITOR 25 UF 25 V	2	199-2012-256
C3	" 1000 UF 25 V	1	199-9064
K1	RELAY - 4 PDT 700 OHM	1	596-103
K2	" - SPDT 1500 OHM	1	596-129
RI	RESISTOR 56 OHM 1/2W ±10%	1	600-0080-560



- ① -3V.
- ② *+2V.
- ③ +COM
- ④ *+6V.
- ⑤ -18V.
- ⑥ +COM
- ⑦ +COM
- ⑧ +COM
- ⑨ -18V.
- ⑩ -5V.
- ⑪ -0V.
- ⑫ -18V.
- ⑬ -18V.
- ⑭ -18V.
- ⑮ *+6V.
- ⑯ -18V.
- ⑰ -4V.
- ⑱ 0V.
- ⑲ 0V.
- ⑳ -4V.
- ㉑ -4V.
- ㉒ -4V.
- ㉓ -4V.
- ㉔ +COM

*PERIODIC POSITIVE PULSE - PRF APPROX. 12/MIN.

MATERIAL		FINISH		ISSUE	W A S	DATE	APPR.
UNLESS OTHERWISE SPECIFIED DECIMAL DIMENSIONS TO BE ± .		FRACTIONAL DIMENSIONS TO BE ±		ANGLES TO BE ±		DATE 5-22-64	
DUKANE Corporation ESTABLISHED 1922 ST. CHARLES, ILLINOIS U.S.A.		SCHEMATIC DIAGRAM MODEL 15A220 SIGNAL GENERATOR		SCALE	DATE 5-22-64		
				DRAWN RRG	APP'D. <i>WR</i>	NO. 190-1259-00	
				CHECKED <i>ARM</i>	ENGR. <i>JEC</i>		

4

3

2

1

D

C

B

A

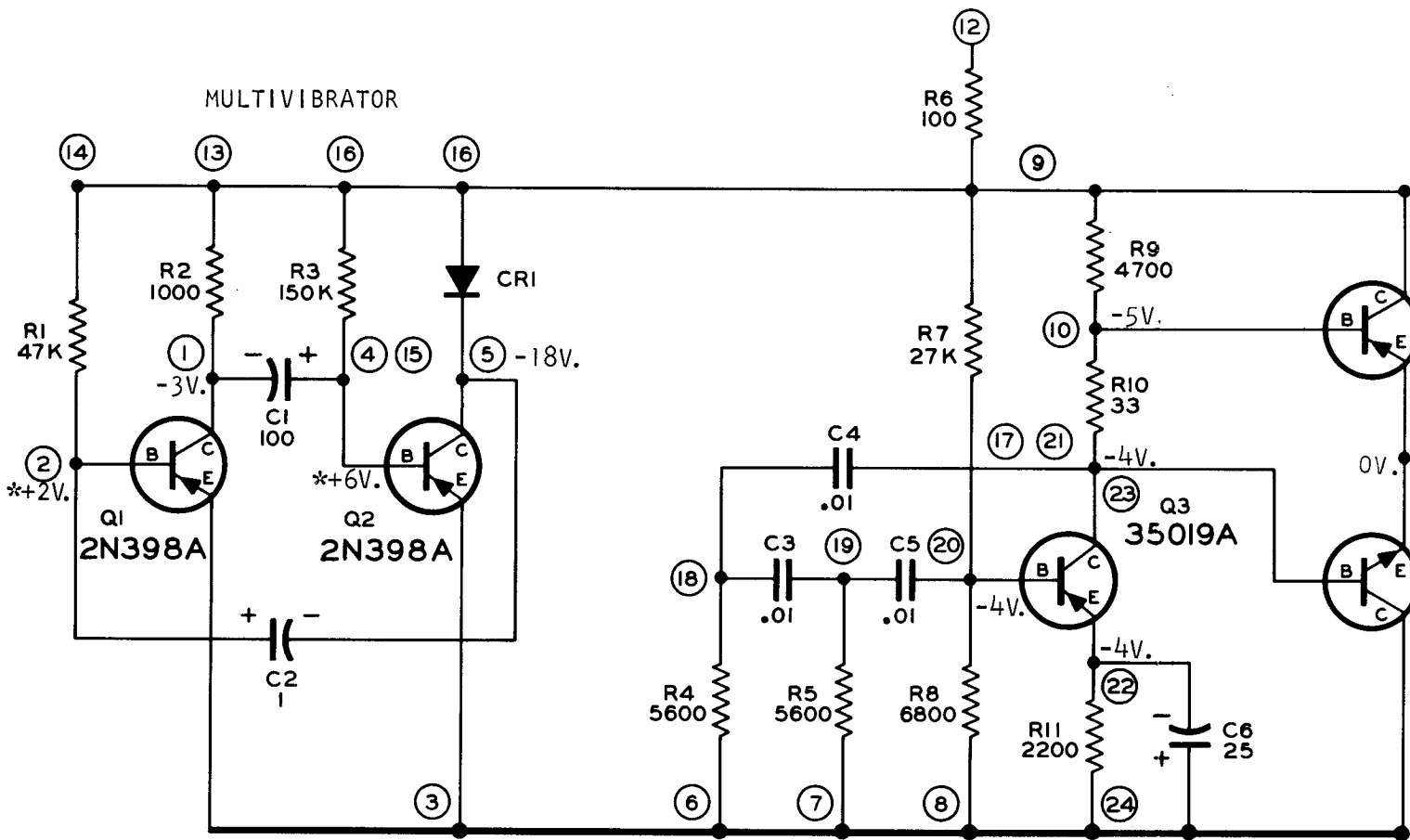
D

C

A

B

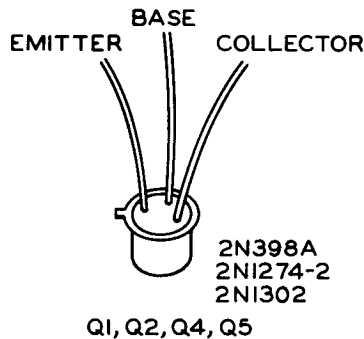
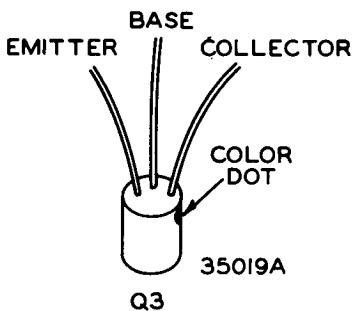
A



*PERIODIC POSITIVE PULSE, PRF APPROX. 12/MIN. (SEE 190-1259 - MODEL 15A220)

NOTES

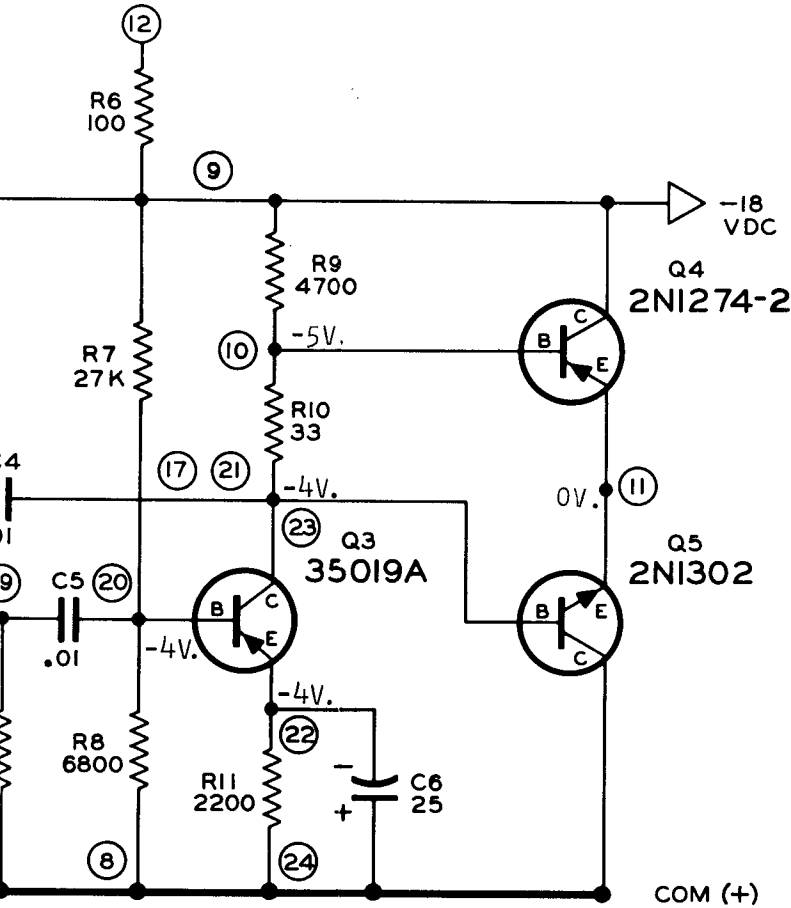
- UNLESS OTHERWISE SPECIFIED
- 1. ALL FIXED RESISTORS ARE 1% TOLERANCE
- 2. TOLERANCES ON FIXED RESISTORS ARE AS SHOWN
- 3. RESISTANCE VALUES IN K = 1000 OHMS
- 4. CAPACITANCE VALUES IN U = MICROFARADS
- 5. ○ - INDICATES TYPICAL LUG DESIGNATIONS



404-217

MATERIAL	UNLESS OTHERWISE SPECIFIED DECIMAL DIMENSIONS
15A220	
USED ON	

DUKANE
Corporation
ESTABLISHED 1922
ST. CHARLES, ILLINOIS U.S.A.



LIST OF ELECTRICAL PARTS

LEG.	DESCRIPTION	QTY	PART NO.
C1	CAPACITOR 100 25 V	1	199-2017-107
C2	" 1 25 V	1	199-2012-105
C3,4,5	" 0.01	3	199-1003-103
C6	" 25 6 V	1	199-2013-256
CRI	RECTIFIER -SILICON	1	595-4 4
Q1, Q2	TRANSISTOR 2N398A	2	720-2N398A
Q3	" 35019A	1	720-35019A
Q4	" 2N1274-2	1	720-2N1274-2
Q5	" 2N1302	1	720-2N1302
R1	RESISTOR 47 K	1	600-0080-473
R2	" 1000	1	600-0080-102
R3	" 150 K	1	600-0080-154
R4, R5	" 5600	2	600-0080-562
R6	" 100	1	600-0080-101
R7	" 27K	1	600-0080-273
R8	" 6800	1	600-0080-682
R9	" 4700	1	600-0080-472
R10	" 33	1	600-0080-330
R11	" 2200	1	600-0080-222

1259 - MODEL 15A220)

NOTES

- UNLESS OTHERWISE SPECIFIED:
1. ALL FIXED RESISTORS ARE 1/2 WATT.
 2. TOLERANCES ON FIXED RESISTORS $\pm 10\%$.
 3. RESISTANCE VALUES IN OHMS.
K = 1000 OHMS
 4. CAPACITANCE VALUES IN MICROFARADS.
 5. ○ - INDICATES TYPICAL TERMINAL BOARD LUG DESIGNATIONS.

MATERIAL	FINISH	SCALE	DATE	ISSUE	W A S	DATE	APPR.
UNLESS OTHERWISE SPECIFIED DECIMAL DIMENSIONS TO BE \pm .		FRACTIONAL DIMENSIONS TO BE \pm		ANGLES TO BE \pm		DATE 5-20-64	
15A220	USED ON	DuKANE Corporation ESTABLISHED 1922 ST. CHARLES, ILLINOIS U.S.A.		SCHEMATIC DIAGRAM MODEL 110-802 CARD ASSEMBLY		DRAWN <i>PRG</i> APP'D. <i>WDR</i> CHECKED <i>PM</i> ENGR. <i>YEC</i>	
						NO. 190-1258 - 00	