

NOTES:

1. BASIC 15A250 DOES NOT INCLUDE 110-880.
(NOT REQ'D FOR STEADY TONE)
2. FUNCTIONS:
OFF: STEADY TONE CONTROL LEAD OFF GROUND.
STEADY TONE: STEADY TONE CONTROL LEAD CONNECTED TO GROUND AND WARBLE CONTROL LEAD CONNECTED TO GROUND.
WARBLE TONE: STEADY CONTROL LEAD CONNECTED TO GROUND. WARBLE CONTROL LEAD OFF GROUND.
3. FOR FREQUENCY OR WARBLE TONE CHANGE SEE 402-100

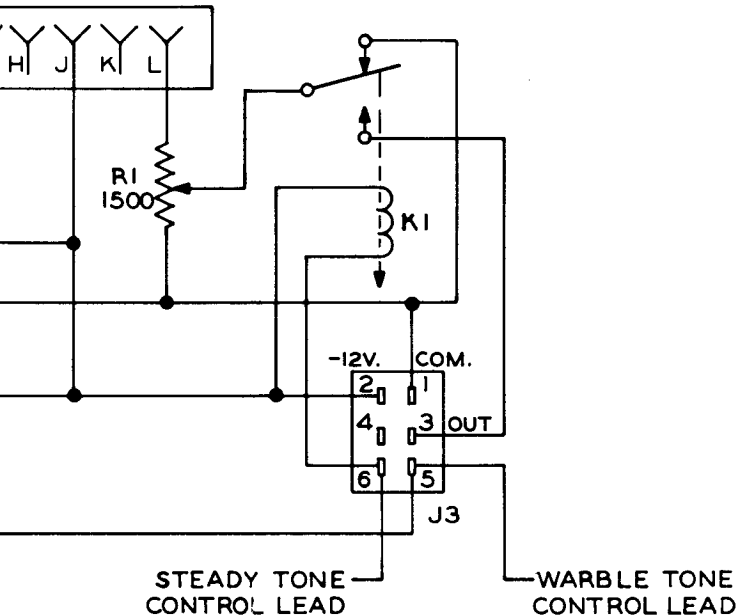
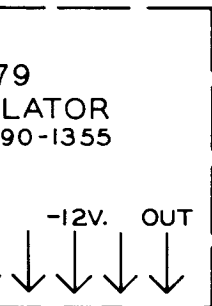
COMMUNICATIONS SYSTEMS SERVICE MANUAL

MATERIAL
UNLESS OTHERWISE SPECIFIED DEC

DUKAN
Corporation
ESTABLISHED 1922
ST. CHARLES, ILLINOIS U.S.A.

LIST OF ELECTRICAL PARTS

LEG.	DESCRIPTION	QTY.	PART NO.
CRI	DIODE-ZENER 12V.	1	230-1N1594
J1,2	RECEPTACLE 10 CONT.	2	597-175
J3	" 6 CONT.	1	597-12700
K1	RELAY SPDT 1500 OHMS	1	596-129
RI	POTENTIOMER 1500 OHMS	1	601-179



MATERIAL	FINISH	SCALE	DATE 10-22-65
UNLESS OTHERWISE SPECIFIED DECIMAL DIMENSIONS TO BE ± .		FRACTIONAL DIMENSIONS TO BE ±	ANGLES TO BE ±
<p>DUKANE Corporation ESTABLISHED 1927 ST. CHARLES, ILLINOIS U.S.A.</p>		<p>SCHMATIC DIAGRAM MODEL 15A250 TONE GENERATOR</p>	
ISSUE	W A S	DATE	APPR.
DRAWN <i>AW</i>	APP'D. <i>JHE</i>	NO. 190-1360	
CHECKED	ENGR. <i>D.J.F.</i>	00 ISSUE	