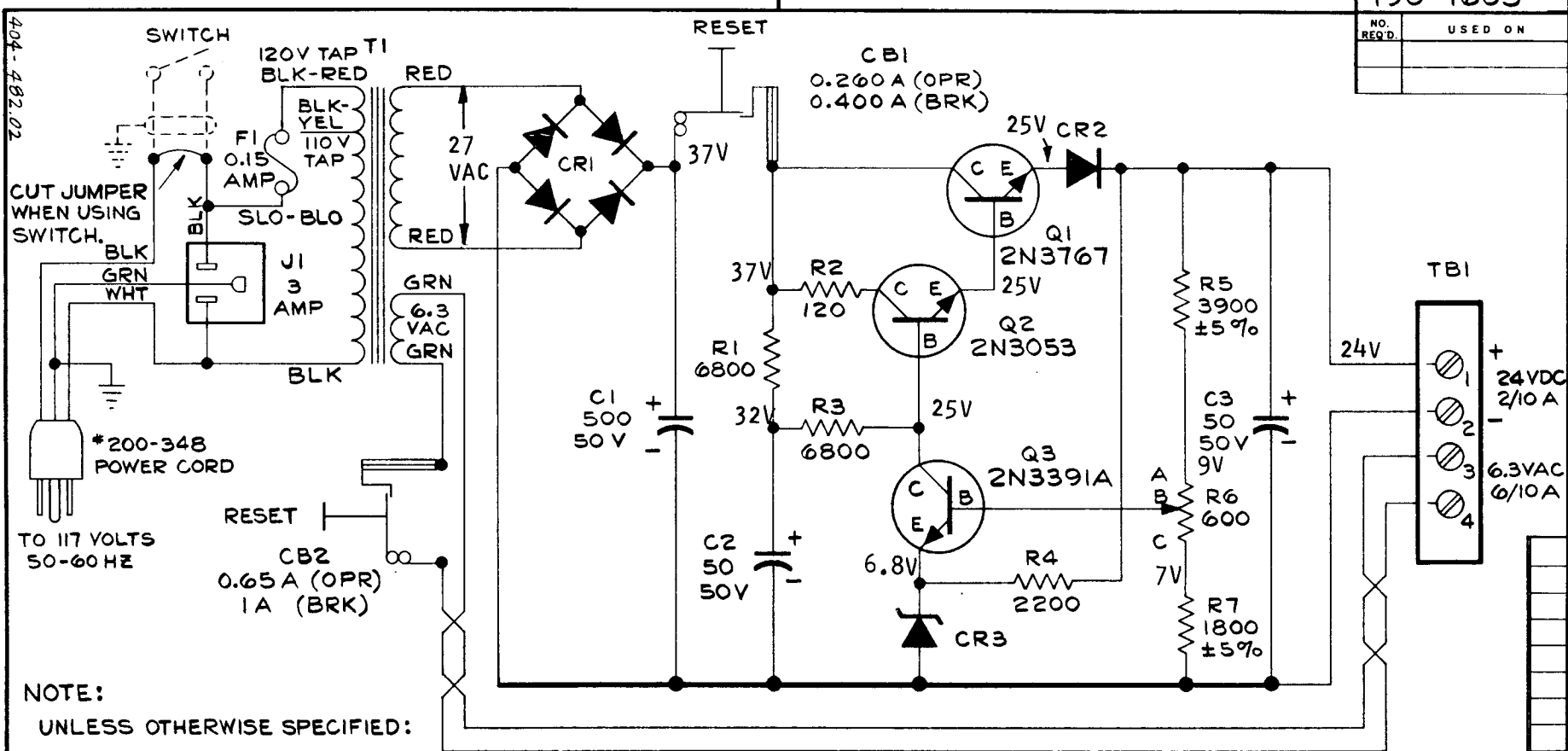
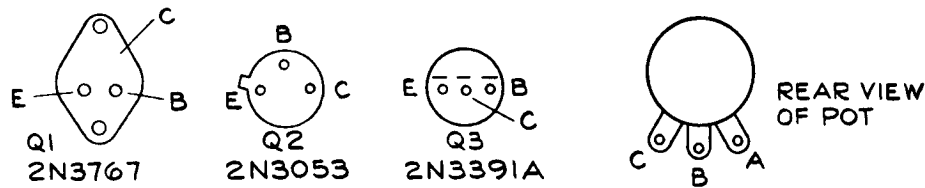


190-1603	
NO. REQ'D.	USED ON



- NOTE:
- UNLESS OTHERWISE SPECIFIED:
1. ALL FIXED RESISTORS ARE 1/2 WATT.
 2. TOLERANCES ON FIXED RESISTORS ± 10%.
 3. RESISTANCE VALUES IN OHMS.
 4. CAPACITANCE VALUES IN MICROFARADS (μf).
 5. VOLTAGES SHOWN ARE MEASURED WITH 20,000 Ω/V VOM; MAY VARY ±10%.



01 R2 WAS 470 OHM. BLK-RED WAS BLK. ADD 120 V TAP TO BLK-R. 9-18-67. ADD BLK-YEL, 110V TAP. REV. POLARITY OF CR1.

UNLESS OTHERWISE SPECIFIED DECIMAL DIMENSIONS TO BE ±.		FRACTIONAL DIMENSIONS TO BE ±		ANGLES TO BE ±		ISSUE	W A S	DATE	APPR.
DUKANE Corporation ESTABLISHED 1922 ST. CHARLES, ILLINOIS U.S.A.		SCHEMATIC DIAGRAM MODEL 17A225A PRE-AMP POWER SUPPLY		SCALE $\frac{1}{8}$		DATE 9-7-67			
				DRAWN RRG	APP'D. JR	NO. 190-1603		ISSUE	
				CHECKED	ENGR. GJK				

17A225