

COMMUNICATIONS SYSTEMS SERVICE MANUAL

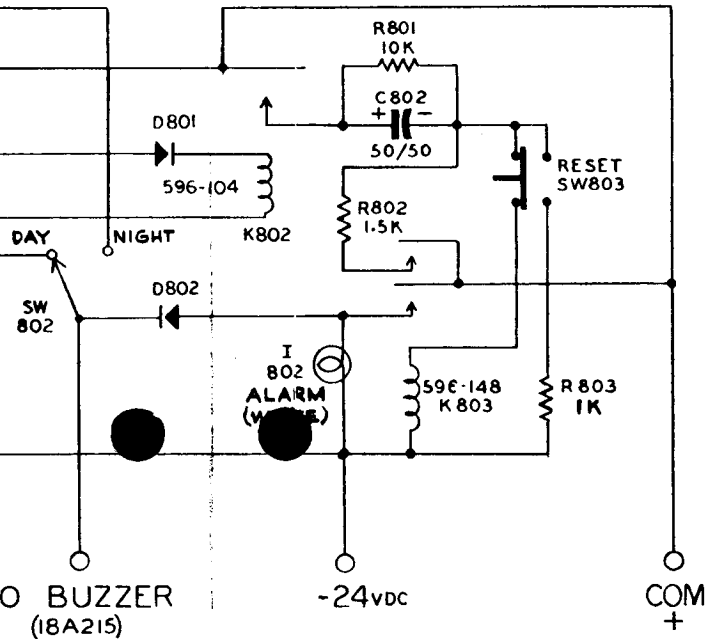
404-499.01

FORM 2289

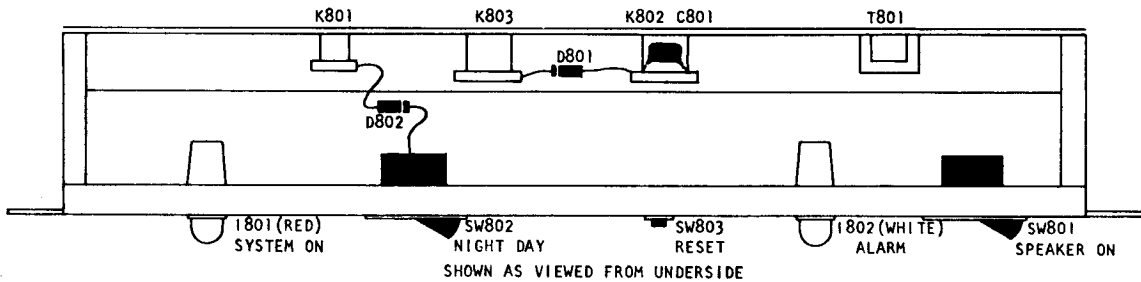
MATERIAL
UNLESS OTHERWISE SPECIFIED DECIMAL

DUKANE
Corporation
ESTABLISHED 1922
ST. CHARLES, ILLINOIS U.S.A.

190-1464	
NO. REQ'D.	USED ON
	18A220



LIST OF ELECTRICAL PARTS			
LEG.	DESCRIPTION	QTY.	PART NO.
	C801 CAPACITOR .14F	1	199-924
Ⓢ	C802 " 504F 50W.	1	199-2009-506
	D801#2 DIODE	2	595-44
	I801#2 LAMP #1820 24V	2	456-20
	K801#2 RELAY SPDT	2	596-104
Ⓢ	K803 " DPDT	1	596-148
	T801 TRANSFORMER DA54	1	710-52
	SW801#2 SWITCH SPDT CARLING	2	680-478
	SW803 " " PUSH	1	705-21-10
	R801 RESISTOR 10K 1/2 W.	1	600-0080-103
Ⓢ	R802 " 1.5K 1 W.	1	600-0116-152
	R803 " 1K 1/2 W.	1	600-0080-1C2



03	SYSTEM ON WAS POWER SPEAKER ON " MONITOR	2-2-67	
02	ADDED C802, R801, R802, R803, K803 WAS 596-85	1-30-67	
01	ADD FUNCTION NAMES	11-29-66	

MATERIAL	FINISH	UNLESS OTHERWISE SPECIFIED DECIMAL DIMENSIONS TO BE ± .	FRACTIONAL DIMENSIONS TO BE ±	ANGLES TO BE ±	ISSUE	W A S	DATE	APPR.
DUKANE Corporation ESTABLISHED 1922 ST. CHARLES, ILLINOIS U.S.A.		CIRCUIT DIAGRAM VANDAL MONITOR PANEL ADD-ON " 18A220			SCALE <i>2</i> DRAWN <i>BH</i> CHECKED <i>UR</i>	DATE 4-5-66 APP'D. <i>Doc</i> ENGR. <i>1777</i>	NO. 190-1464	03 ISSUE