

404-214.01

MATERIAL

UNLESS OTHERWISE SPECIFIED DECIMAL DIMENSION

**KANE**  
Corporation

ESTABLISHED 1922  
ST. CHARLES, ILLINOIS U.S.A.

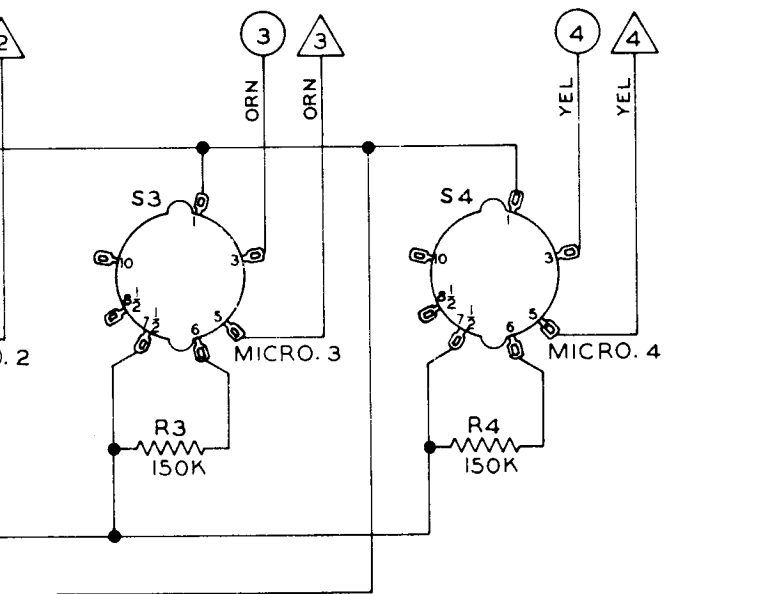
19A100

3

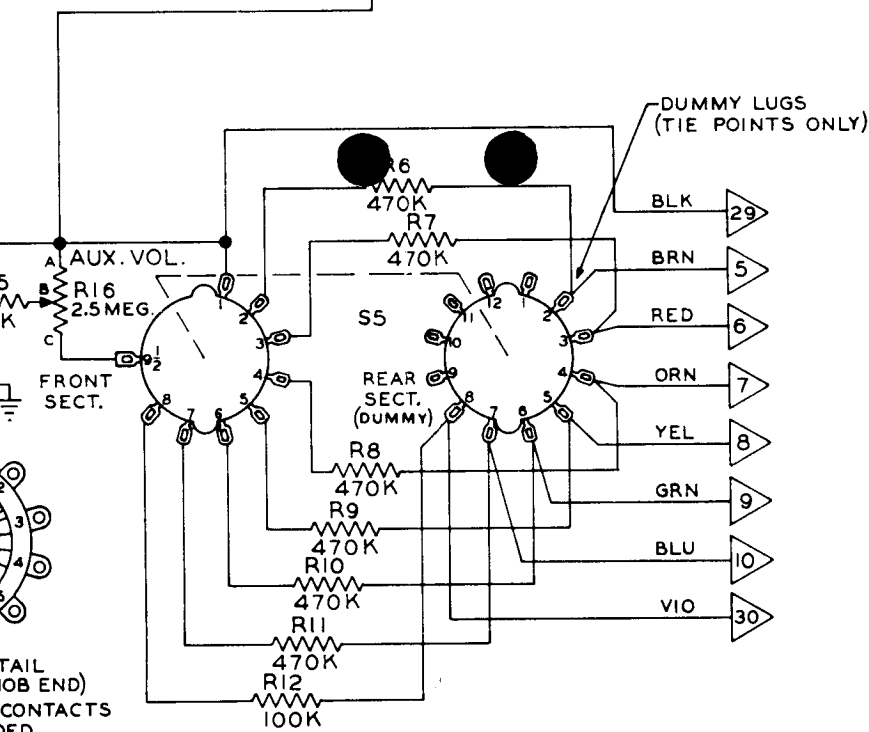
2

190-1231

NO. REQ'D	USED ON

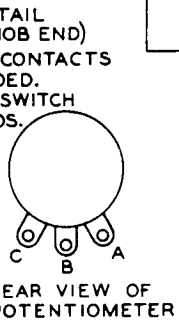


LIST OF ELECTRICAL PARTS				
LEG.	DESCRIPTION	REQ'D	PART NO.	
J1	JACK-2 COND.	1	415-4	
R1,2,3,4	RESISTOR 150K OHM 1/2 W.	4	600-0080-154	
R5	" 47K " "	1	600-0080-473	
R6,7,8,9,10,11	" 470K " "	6	600-0080-474	
R12,13	" 100K " "	2	600-0080-104	
R14,15	POTENTIOMETER 50K OHM	2	601-54	
R16	" 2.5MEG. "	1	601-214	
S1,2,3,4	SWITCH - MICRO.	4	680-419	
S5	" -INPUT SEL.	1	680-420	
S6	" -MONITOR	1	680-194	



NOTES:

- UNLESS OTHERWISE SPECIFIED:
1. TOLERANCES ON FIXED RESISTORS  $\pm 10\%$ .  
K=1000 OHMS
  2. (N) connects to like points on IA760 CIRCUITRY.
  3. 02 REVISION STARTS ABOVE NO. A139,000.



MATERIAL		FINISH		ADDED SERIAL# NOTE CONNECTION POINT WAS ON TERM 8		3-4-66
UNLESS OTHERWISE SPECIFIED DECIMAL DIMENSIONS TO BE $\pm$		FRACTIONAL DIMENSIONS TO BE $\pm$		CORRECTED S1,2,3,4 SWITCH DETAIL		1-26-65
SCALE		DATE		ISSUE		W A S
DRAWN <i>AW</i>		APP'D. <i>TOR</i>		DATE		3-3-64
CHECKED <i>AW</i>		ENGR. <i>JEC.</i>		NO. 190-1231		ISSU



SCHMATIC DIAGRAM  
MODEL 19A100

4

3

2

1

# SERVICE INFORMATION - SHIELD KIT FOR 19A100

TO INSTALL SHIELD on MONITOR switch, DuKane part No. 680-194, in Model 19A100 Dual Channel Adapter, proceed as follows:

1. MONITOR switch is accessible directly from the back of the console or rack on the Dual Channel Adapter located below Master Control Panel. Dual Channel Adapter is fastened together with the Master Control Panel in a console or rack.
2. Use a switch wrench, such as a Pioneer "Knurl-Tite" or a Walsco No. 2583 wrench, to fit and turn the knurled 15/32-32 ring nut which holds the MONITOR switch on the Dual Channel Adapter front panel.
3. Unfasten the MONITOR switch and carefully bring switch assembly through the back of the opening in the front panel into the space behind front panel.
4. Temporarily take off lockwasher that was between switch assembly and the back of the front panel.
5. Place shield over switch handle so that threaded switch mount extends through hole in shield; switch wiring should extend through open end of shield at back of switch.
6. Put on lockwasher previously removed, and
7. Carefully replace MONITOR switch with shield and lockwasher on through opening in front panel; shield should be positioned so that top and both sides are covered with shield, and the open side in the shield is at the bottom.
8. Lockwasher should be between front of shield and back side of front panel to form a good grounding device through the enamel.
9. Fasten MONITOR switch in place with knurled ring nut taken off previously; tighten nut carefully so as not to scratch enamel surface of front panel.

