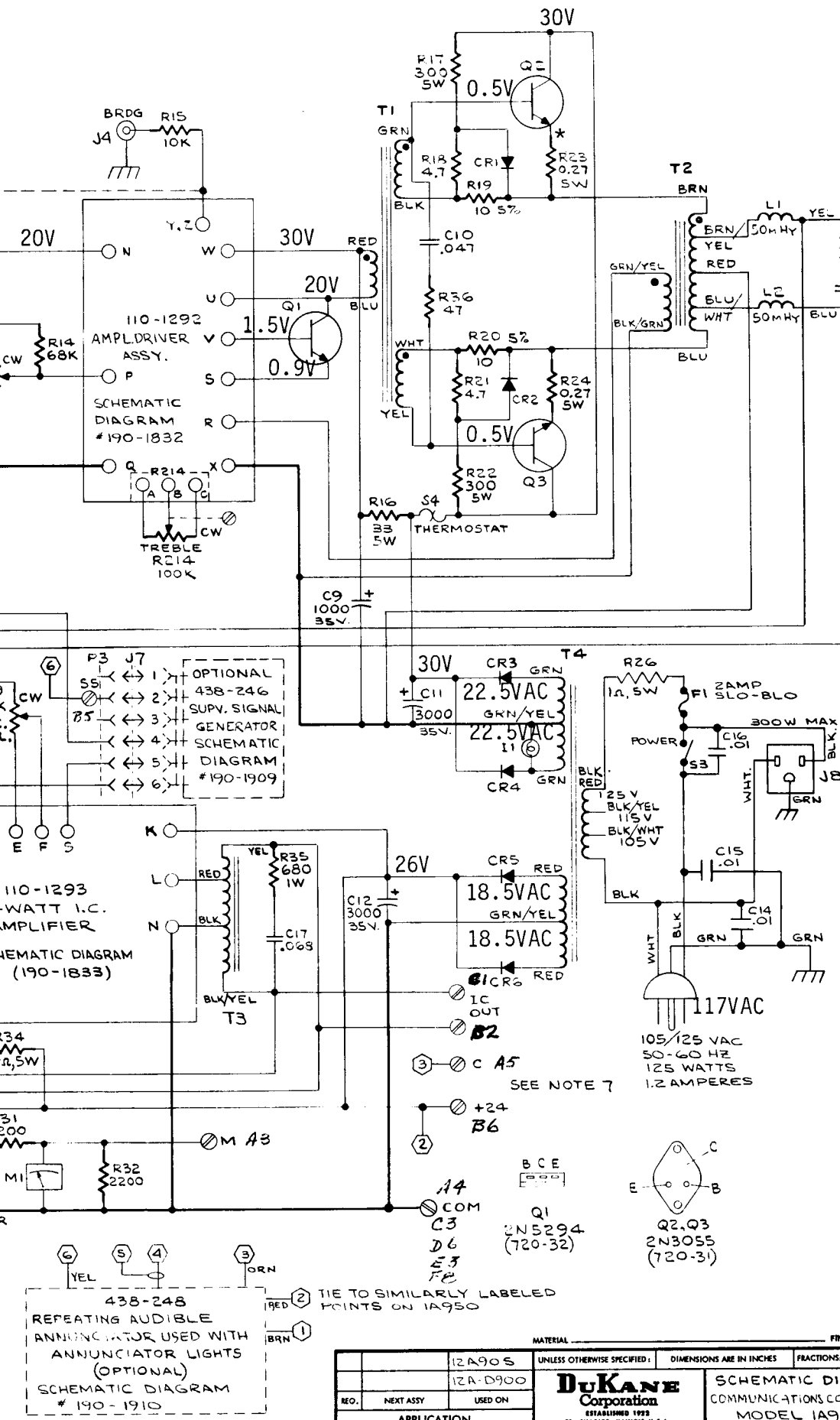


REVISIONS

| ISS. | DESCRIPTION | APP'D | DATE |
|------|-------------|-------|------|
|      |             |       |      |
|      |             |       |      |



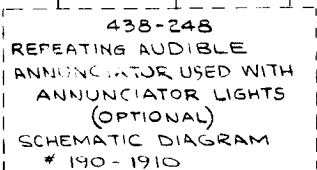
VOLTAGES MEASURED WITH 20,000Ω/V VOM; MAY VARY ±10%.

DC VOLTAGES MEASURED WITH NO SIGNAL APPLIED.

\* VOLTAGE INDICATED ON VOM IS MEANINGLESS.

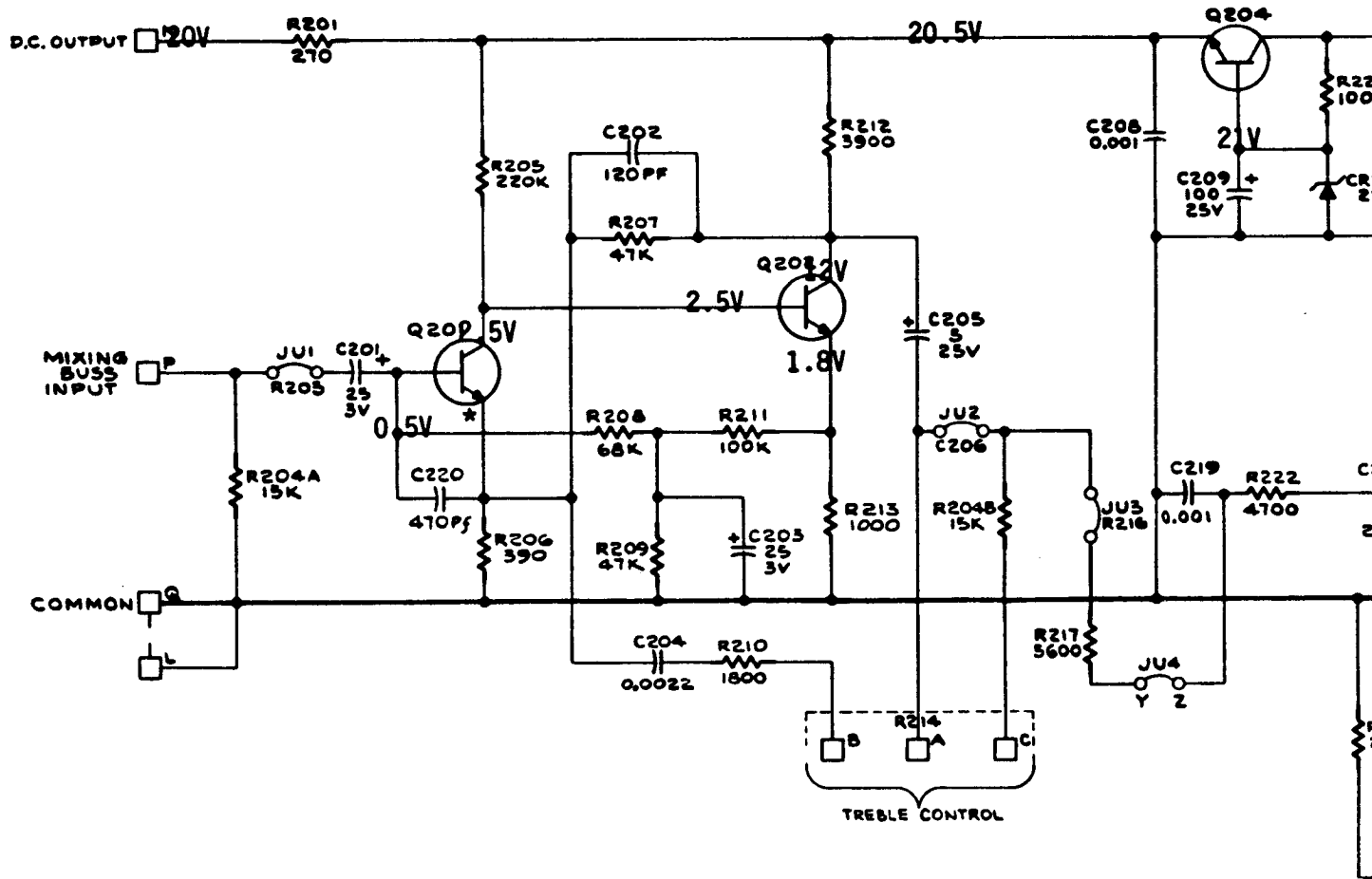
**NOTES:**

- UNLESS OTHERWISE SPECIFIED:
- 1) ALL FIXED RESISTORS ARE 1/2 WATT.
  - 2) RESISTANCE VALUES IN OHMS; K=1000
  - 3) RESISTANCE TOLERANCE ±10%
  - 4) CAPACITOR VALUES IN MICRO FARADS.
  - 5) "CW" DENOTES DIRECTION OF ROTATION AS VIEWED FROM KNOB OR ACTUATOR END AND AS INDICATED FOR R13, R29, R214, #R30
  - 6) TERMINAL NUMBERING FOR SWITCH "S1" IS FOR REFERENCE ONLY. SWITCH IS SHOWN VIEWED FROM FRONT WITH KNOB IN EXTREME CCW POSITION.
  - 7) TIE TO ANNUNCIATOR COMMON OF SWITCHBANKS WHEN REPETITIVE AUDIBLE ANNUNCIATOR (438-248) IS USED.
  - 8) REMOVE PZA WHEN (438-245) TIME TONE ADDER IS USED.
  - 9) TERMINALS LABELED EMER, C, EMER MIC, RVC, XM, SP, #RCV ARE NOT INTERNALLY CONNECTED ON THE STANDARD UNIT.



|          |                             |   |  |                    |   |   |
|----------|-----------------------------|---|--|--------------------|---|---|
| 12A90S   | UNLESS OTHERWISE SPECIFIED: | DIMENSIONS ARE IN INCHES  | FRACTIONS: ±   | 2 PLACE DECIMAL: ± | 3 PLACE DECIMAL: ±  | ANGLES: ±   |
| 12A-D900 | APPLICATION                 | <b>DuKane Corporation</b><br>ESTABLISHED 1928<br>ST. CHARLES, ILLINOIS U.S.A. | SCHEMATIC DIAGRAM<br>COMMUNICATIONS CONTROL PANEL<br>MODEL 1A950 |                    | SCALE<br>DRAWN: <i>[Signature]</i><br>CHECKED: <i>[Signature]</i> | DATE DRAWN: 6-28-72<br>NO. 190-1888<br>SHEET OF 155 |

MODEL# 1A950



NOTES:

- UNLESS OTHERWISE SPECIFIED:
- 1. ALL FIXED RESISTORS ARE 1/2 WATT.
- 2. TOLERANCES ON ALL FIXED RESISTORS ±10%
- 3. RESISTANCE VALUES IN OHMS.  
K = 1000 OHMS
- 4. CAPACITANCE VALUES IN MICROFARADS.
- 5. □ DENOTES PINS ON PC BOARD
- 6. O DENOTES HOLES IN PC BOARD
- 7. C 219 LOCATION: C5  
C 220 LOCATION: D2
- 8. VOLTAGES MEASURED WITH 20,000Ω/V VOM; MAY VARY ±10%.
- 9. DC VOLTAGES MEASURED WITH NO SIGNAL APPLIED.
- \* VOLTAGE INDICATED ON VOM IS MEANINGLESS.



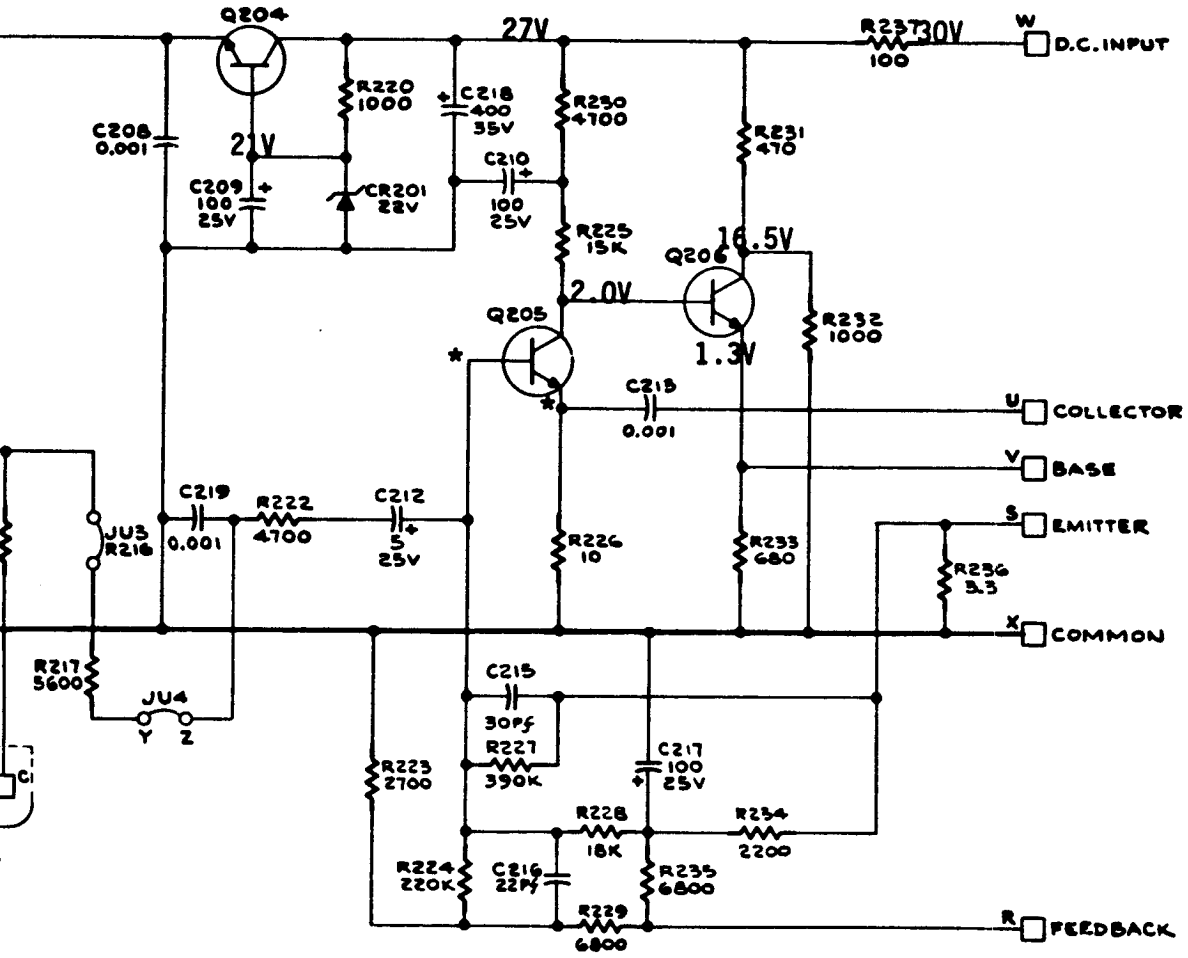
Q201, Q205 = 720-49 (2N5088)  
Q202, Q206 = 720-46 (2N6515)  
Q204 = 720-47 (MP56566)

R214 (100K LINEAR)



REAR VIEW SHOWN

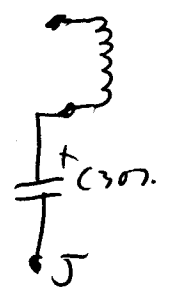
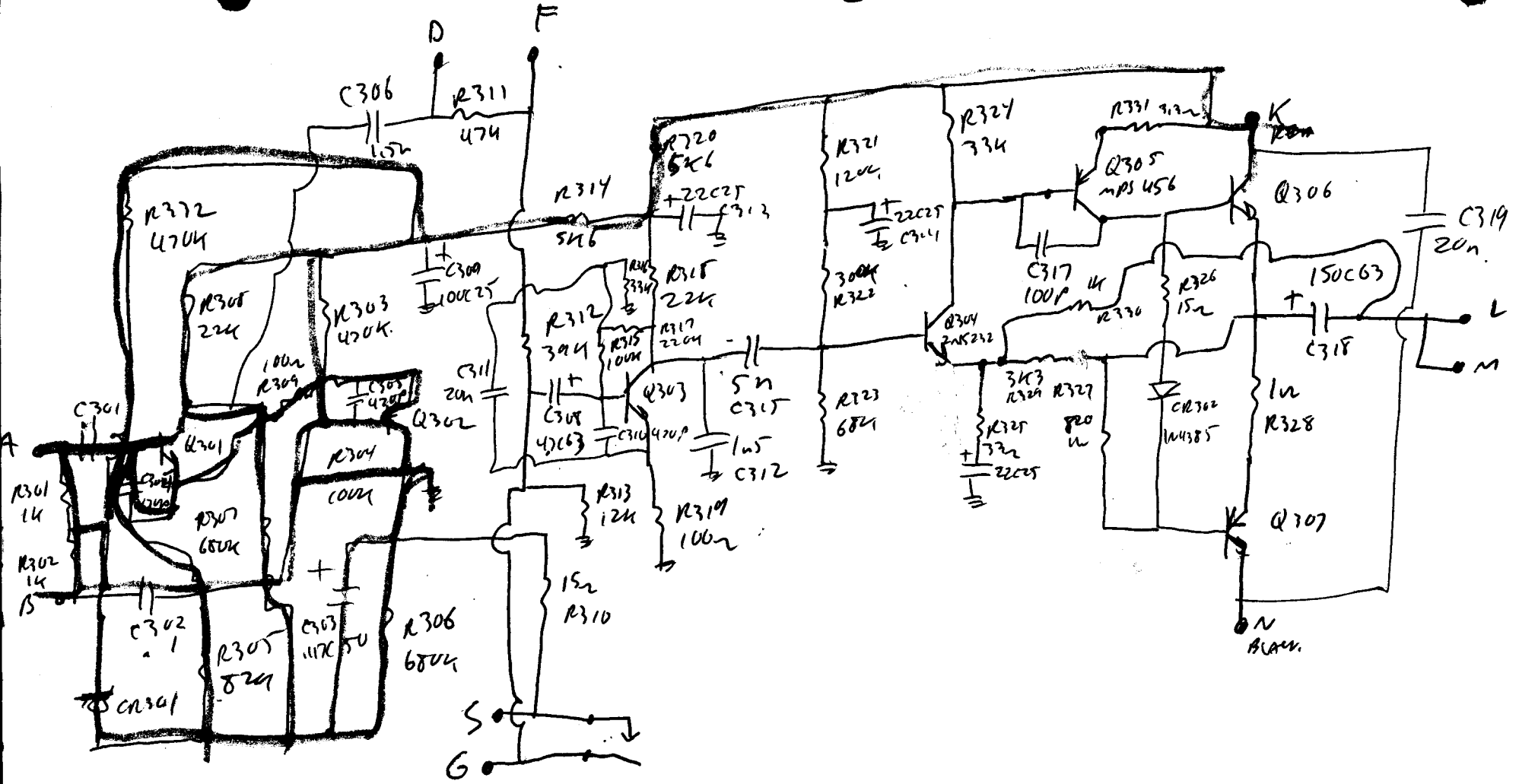
| REVISIONS |             |       |
|-----------|-------------|-------|
| NO.       | DESCRIPTION | APPD. |
|           |             |       |
|           |             |       |



R2214 (100K LINEAR)

REAR VIEW SHOWN

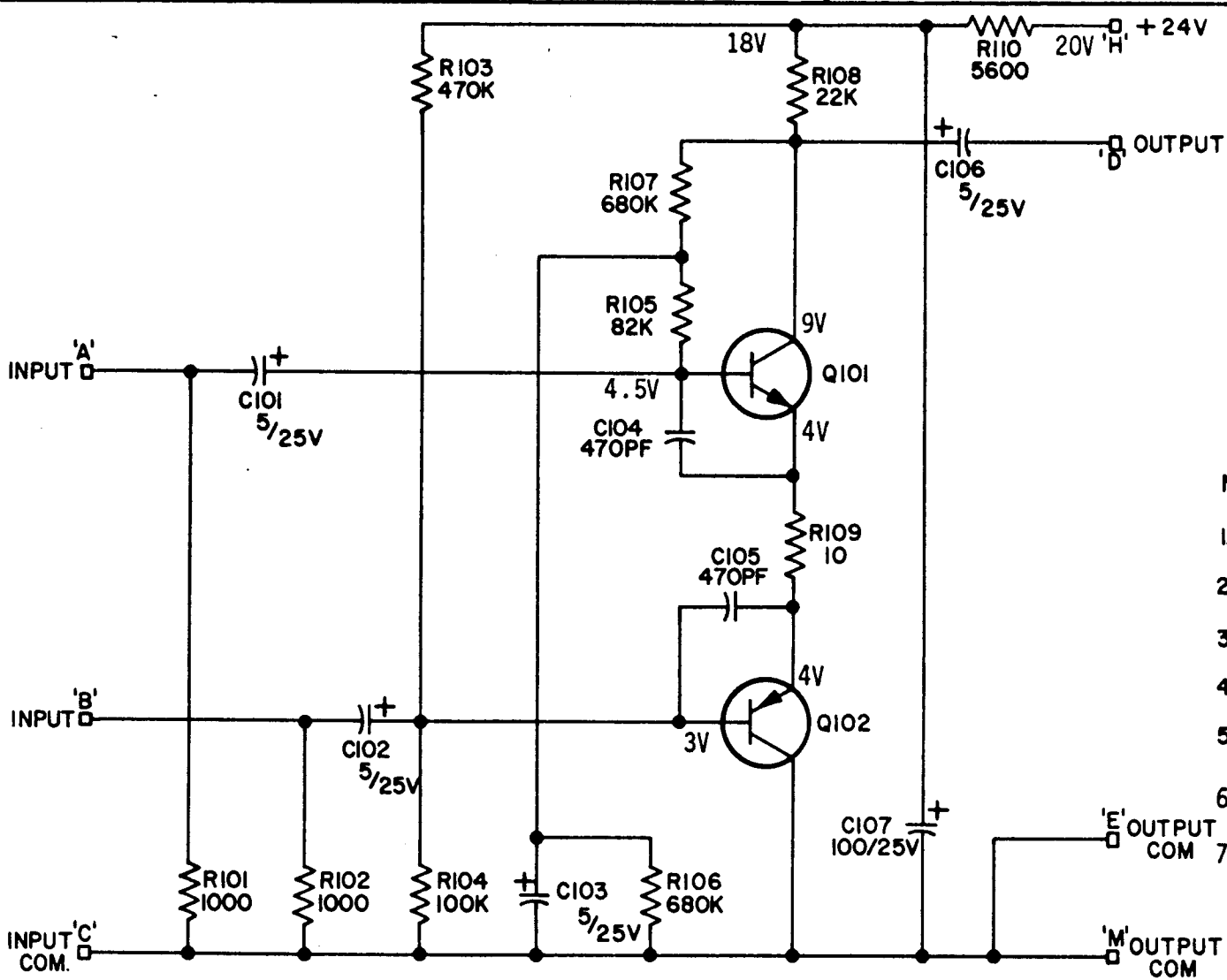
|                             |       |   |                                  |  |                                    |                          |
|-----------------------------|-------|---|----------------------------------|--|------------------------------------|--------------------------|
| UNLESS OTHERWISE SPECIFIED: |       | DIMENSIONS ARE IN INCHES  | FRACTIONS: $\frac{\quad}{\quad}$ | 3 PLACE DECIMAL: $\quad\quad\quad$                       | 3 PLACE DECIMAL: $\quad\quad\quad$ | ANGLE: $\quad\quad\quad$ |
| 1A950                       | 1A950 | <b>DuKANE Corporation</b><br>CORPORATION 1000<br>ST. CHARLES, ILLINOIS U.S.A. |                                  | SCHEMATIC DIAGRAM<br>P.K. AMPL. DRIVER ASSY.<br>110-1292 | DATE DRAWN 6-27-72                 | NO. 190-1832             |
| APPD.                       | CHKD. | DATE  | BY                               | NO.  | REV.                               | OF                       |
|                             |       |   |                                  |  |                                    |                          |



1A950


COMMUNICATIONS SYSTEMS SERVICE MANUAL

404-818



| REVISIONS |             |       |      |
|-----------|-------------|-------|------|
| ISS.      | DESCRIPTION | APP'D | DATE |
|           |             |       |      |

- NOTES:
- UNLESS OTHERWISE SPECIFIED:
  - 1. ALL FIXED RESISTORS ARE 1/2 WATT.
  - 2. TOLERANCES ON ALL FIXED RESISTOR  $\pm 10\%$ .
  - 3. RESISTANCE VALUES IN OHMS. K=1000 OHMS
  - 4. CAPACITANCE VALUES IN MICROFARADS.
  - 5. □-DENOTES TAPER PINS ON P.C. BOARD.
  - 6. VOLTAGE MEASURED WITH 20,000 $\Omega$ /V VOM; MAY VARY  $\pm 10\%$
  - 7. DC VOLTAGE MEASURED WITH NO SIGNAL APPLIED.


 Q101=720-49(2N508U)  
 Q102=720-48(2N5086)

|                      |   |  |          |              |                    |
|----------------------|---|--|----------|--------------|--------------------|
| 1A950<br>APPLICATION | <br>ESTABLISHED 1922<br>ST. CHARLES, ILLINOIS U.S.A. | SCHEMATIC DIAGRAM<br>SINGLE MIC STAGE ASSY.<br>10-1294 |          | SCALE        | DATE DRAWN 6-28-72 |
|                      |   | DRAWN BW   | APP'D    | NO. 190-1838 |                    |
|                      |   | CHECKED  | ENGR DLK | SHEET        | OF                 |

190-1838 | 110-1294