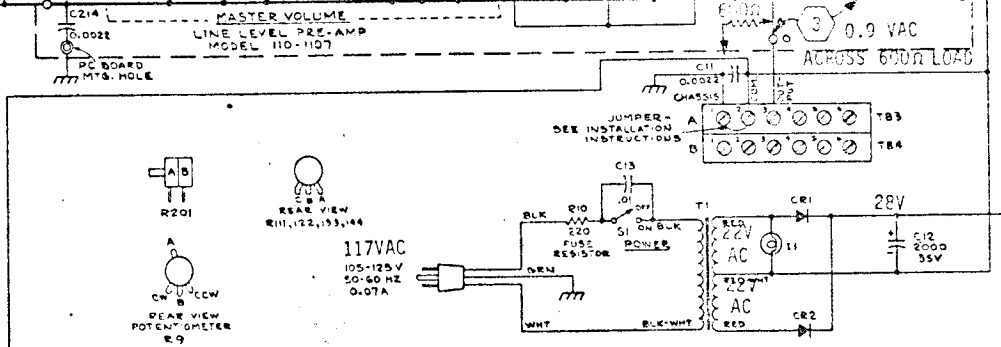
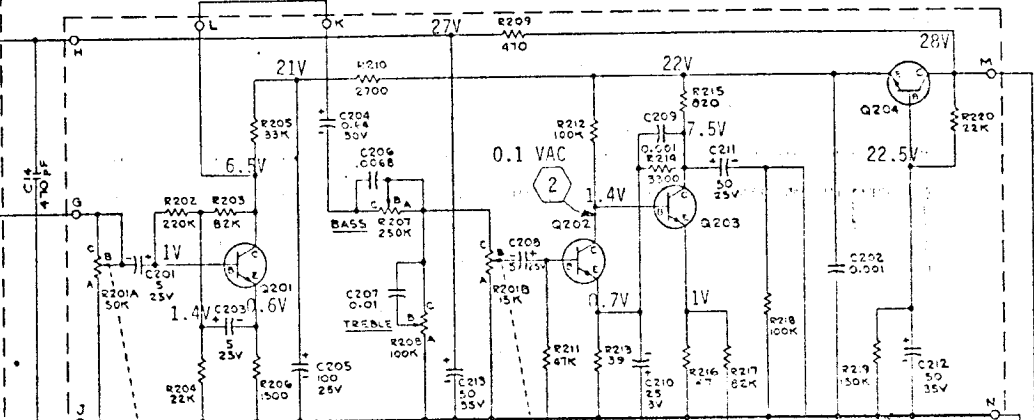
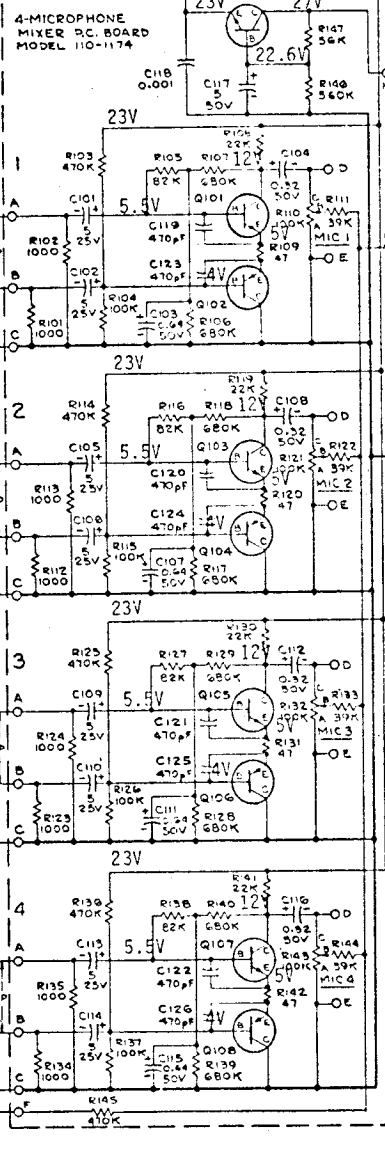


AF INPUT -
1 kHz @ .0002 x 1/2 VAC
- 15A180 WITH MIC 1, BASS, TREBLE
AND MASTER VOLUME SET TO 10

AF INPUT -
1 kHz @
0.3 x 1/2 VAC
WITH AUX 1,
BASS, TREBLE
AND MASTER
VOLUME
SET TO 10



- NOTES:
UNLESS OTHERWISE SPECIFIED:
1. ALL FIXED RESISTORS ARE 1/2 WATT.
2. TOLERANCES ON ALL FIXED RESISTORS ±10%.
3. RESISTANCE VALUES IN OHMS.
4. 1000 OHMS, 10K, 100K, 1M, 10M, 100M OHMS.
5. CAPACITANCE VALUES IN MICROFARADS.
6. ○ DENOTES TAPER PIN CONNECTIONS TO PC BOARD.
7. PINS 'D' & 'E' ARE USED WITH MODEL 499-206 REMOTE VOLUME CONTROL.
8. VOLTAGES MEASURED WITH 20,000Ω/V VOM.
9. DC VOLTAGES MEASURED WITH NO AUDIO IN.
10. VOLTAGES MAY VARY ±10%.

Q101,103,105,107,201,202,205 2N5085 (720-49)
Q102,104,106,108 2N5086 (720-48)
Q109, Q204 MPS6566 (720-47)

	SCHEMATIC DIAGRAM MODEL 2AG5 MIXER PRE-AMP	DATE: 11-4-69 DRAWN: [Signature] CHECKED: [Signature]
--	---	---

COMMUNICATIONS SYSTEMS SERVICE MANUAL

404-743.03

MASTER