

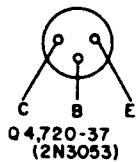
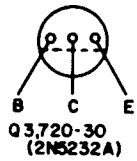
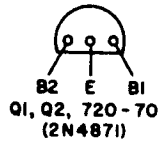
190-1909

REVISIONS

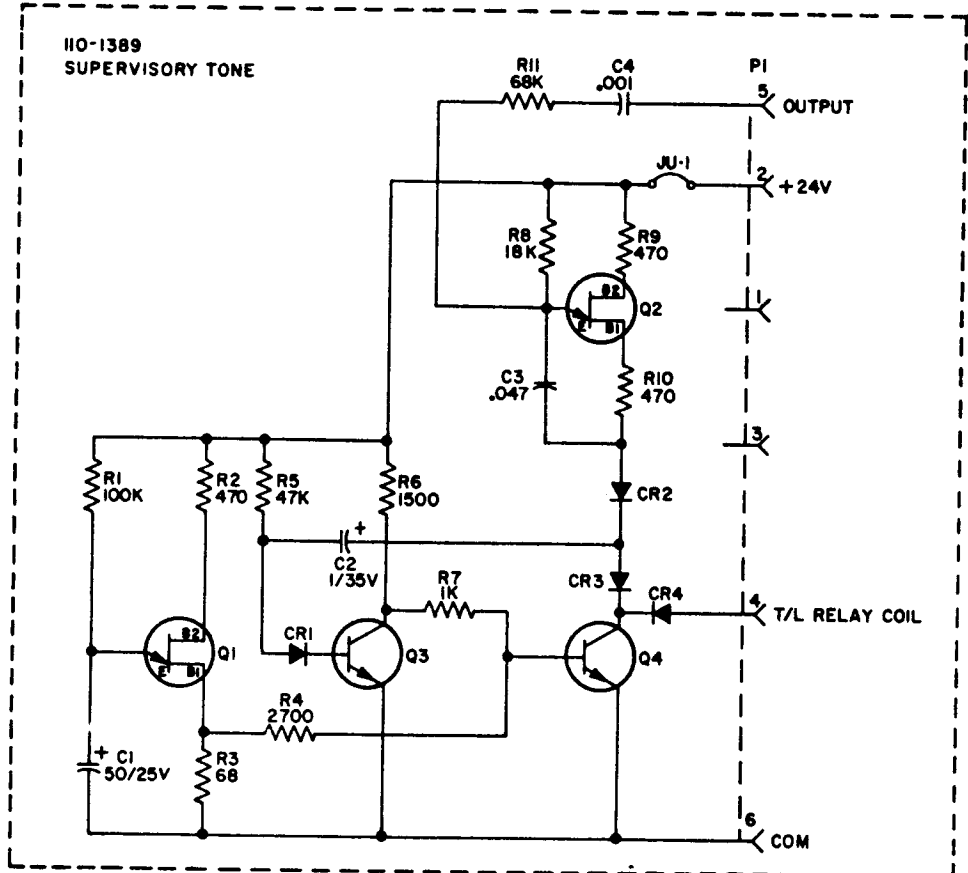
REV.	DESCRIPTION	APP'D	DATE

404-821

BOTTOM VIEWS



110-1389  
SUPERVISORY TONE



- NOTES:  
 1. UNLESS OTHERWISE SPECIFIED:  
 1. ALL RESISTORS ARE 1/2 WATT.  
 2. RESISTANCE VALUES IN OHMS, K=1000.  
 3. RESISTOR TOLERANCE, 10%.  
 4. CAPACITANCE VALUES IN MICROFARADS.

38 438-24

LEGEND	DESCRIPTION	DUKANE PART NUMBER
C1	Capacitor, 50 $\mu$ F, 25 WVDC 'lytic	199-2047-506
C2	" , 1 $\mu$ F, 35 WVDC 'lytic	199-2045-105
C3	" , .047 $\mu$ F, 100-volt mylar	199-4043-473
C4	" , .001 $\mu$ F, 1000-volt ceramic disc	199-1014-102
CR1 - CR4	Diode, silicon, 1N4385; 600 PIV	595-44
Q1, Q2	Transistor, unijunction; 2N4871	720-70
Q3	" , NPN; 2N5232A	720-30
Q4	" , NPN; 2N3053	720-37
R1	Resistor, 100,000 ohms, 1/2 watt	600-0080-104
R2, R9, R10	" , 470 ohms, 1/2 watt	600-0080-471
R3	" , 68 ohms, 1/2 watt	600-0080-680
R4	" , 2700 ohms, 1/2 watt	600-0080-272
R5	" , 47,000 ohms, 1/2 watt	600-0080-473
R6	" , 1500 ohms, 1/2 watt	600-0080-152
R7	" , 1000 ohms, 1/2 watt	600-0080-102
R8	" , 18,000 ohms, 1/2 watt	600-0080-183
R11	" , 68,000 ohms, 1/2 watt	600-0080-683