

SECTION 3

SERVICE INFORMATION

3.1 INTRODUCTION

Standard electronic components are used in the Dukane One Octave Filter Kit. All replacement parts listed on the "Repair Parts List" are available through an authorized Dukane distributor, dealer, or through the factory. Any system failure requiring circuit repairs should be referred to an authorized dealer or repair facility in your area. Further component damage can result from improper repairs or handling of solid state circuits.

3.2 SCHEMATIC AND PARTS LISTS

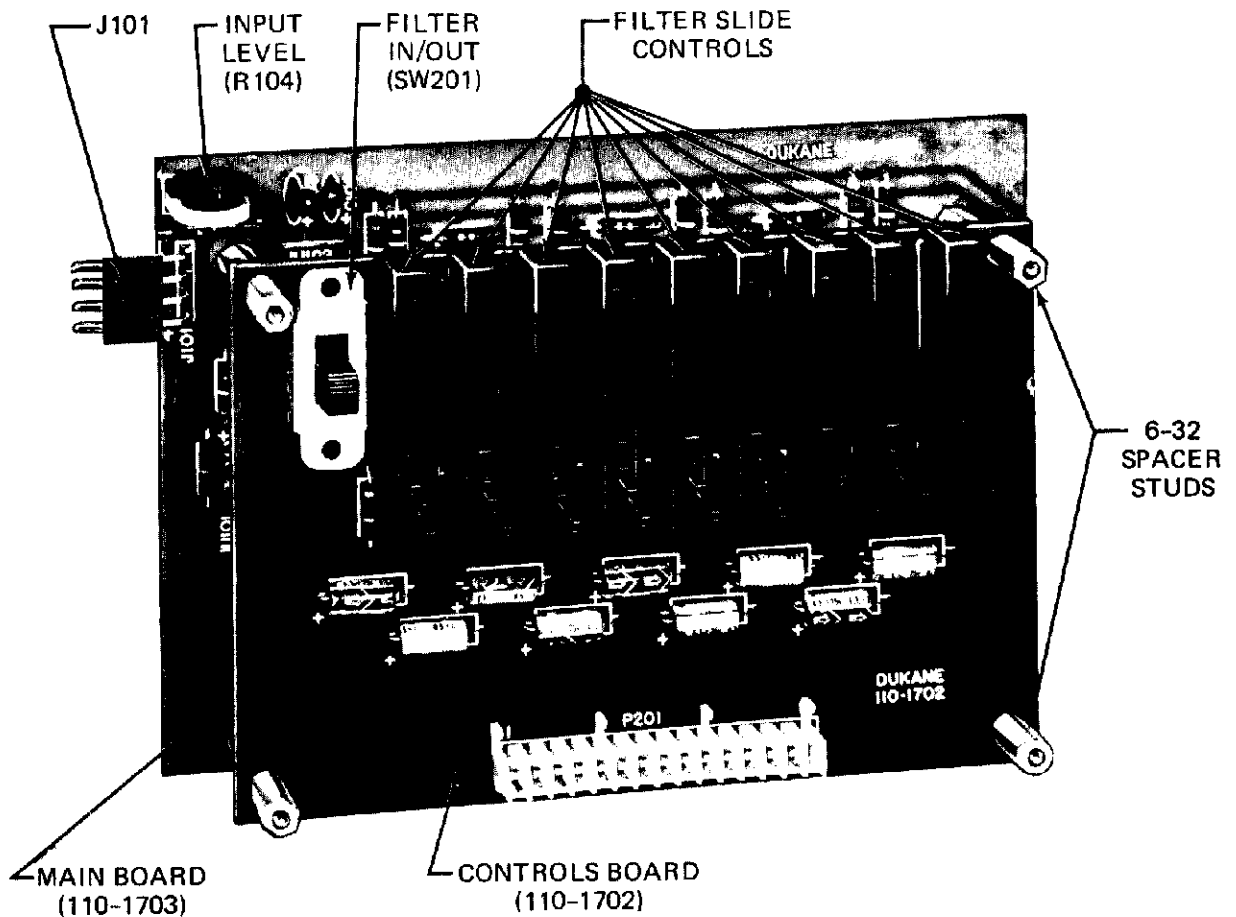
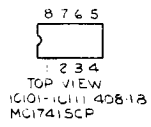
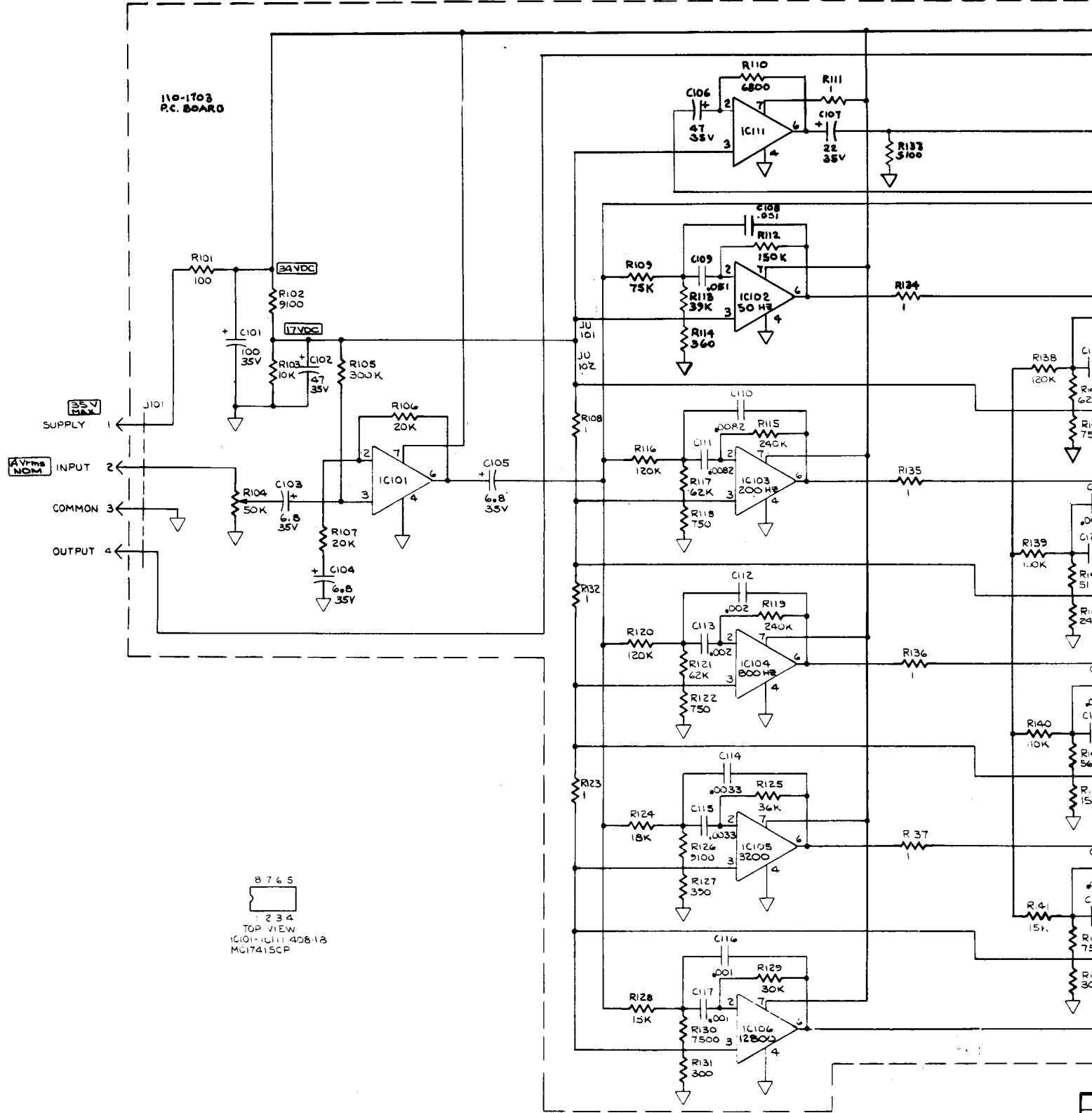
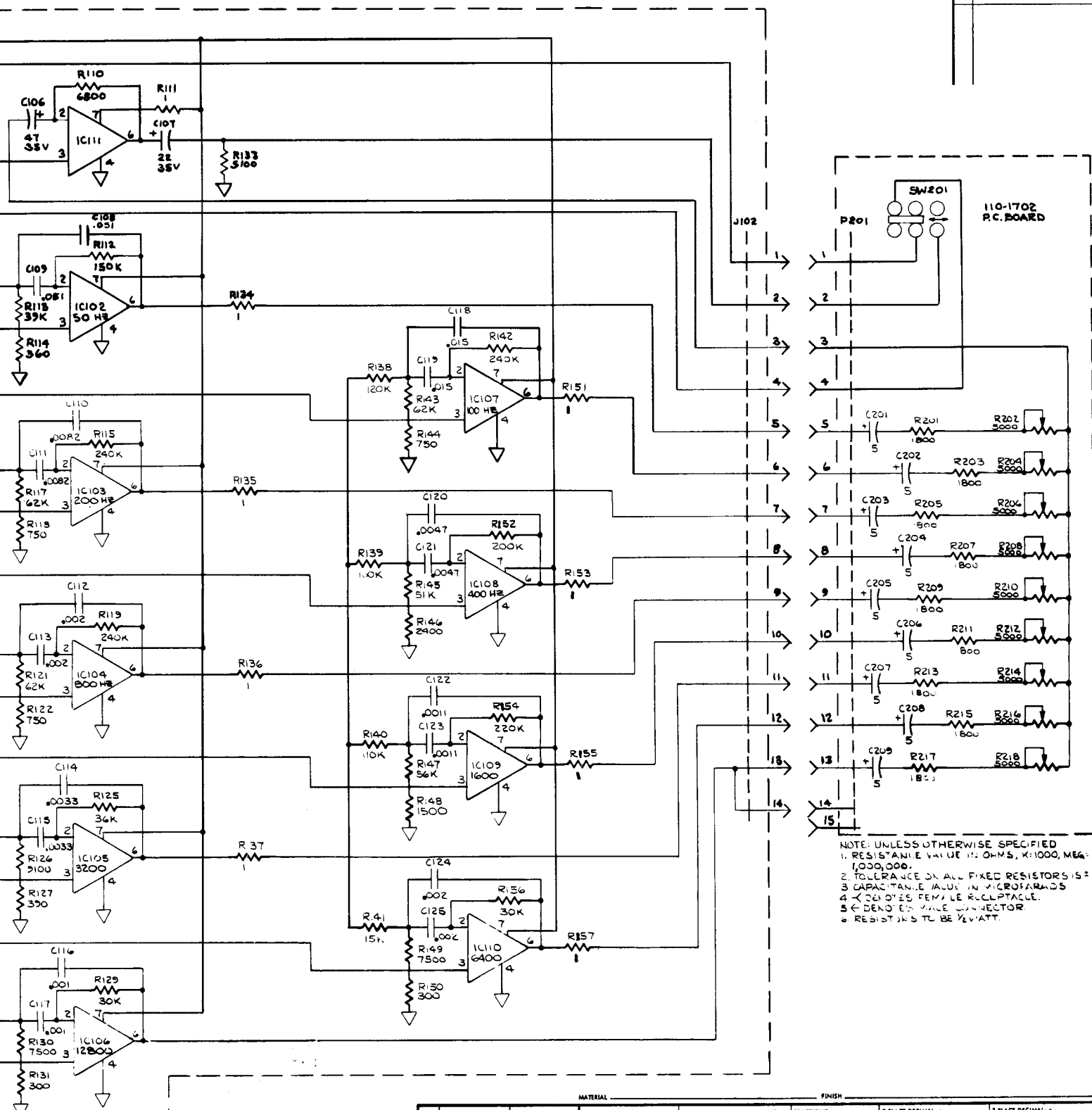


Figure 3-1. Printed Circuit Board Identification – One Octave Filter Set (110-1701).

110-1703
P.C. BOARD



REVISIONS		
ISS.	DESCRIPTION	APP'D



NOTE: UNLESS OTHERWISE SPECIFIED
 1. RESISTANCE VALUE IN OHMS, K=1000, MEG=1,000,000.
 2. TOLERANCE ON ALL FIXED RESISTORS IS ± 5%
 3. CAPACITANCE VALUE IN MICROFARADS
 4. < symbol denotes female receptacle.
 5. < symbol denotes male connector.
 6. RESISTORS TO BE 1/2 WATT.

MATERIAL		FINISH		2 PLACE DECIMAL: ±		3 PLACE DECIMAL: ±		ANGLES: ±	
1A725	UNLESS OTHERWISE SPECIFIED:	DIMENSIONS ARE IN INCHES		FRACTIONS: ±		SCALE FULL		DATE DRAWN 2-17-77	
1A731									
NO.	NEXT ASSY	USED ON	DUKANE		SCHEMATIC DRAWING		DRAWN	APP'D	NO. 190-2200
			ST CHARLES, ILLINOIS 60174		OCTAVE FILTER SET		CHECKED	ENGR. <i>RL</i>	SHEET 1 OF 1
APPLICATION									