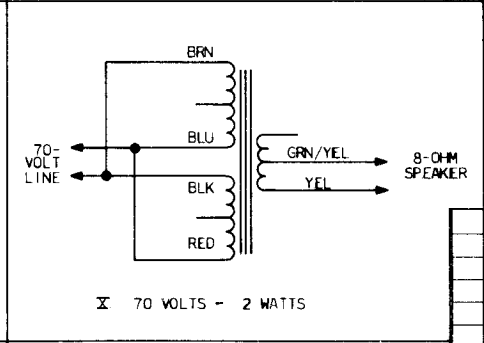
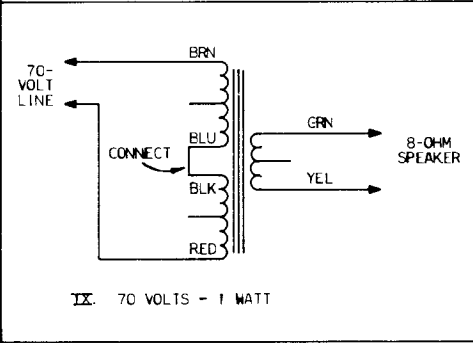
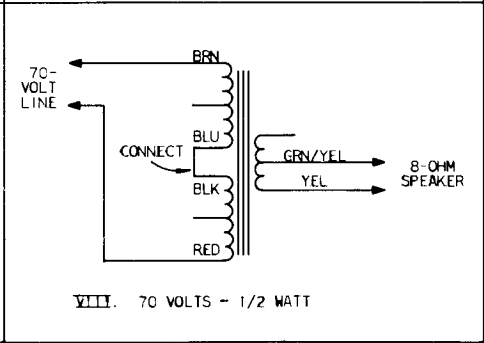
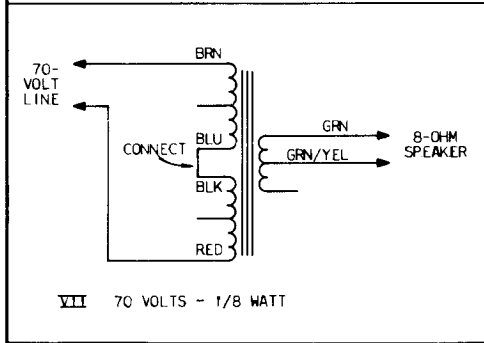
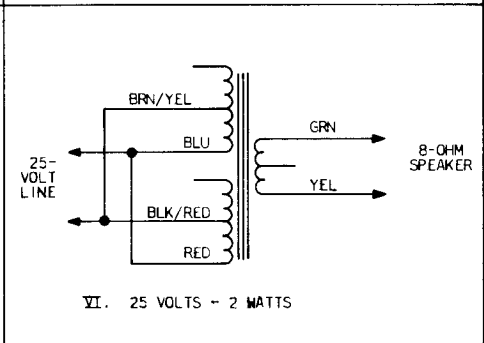
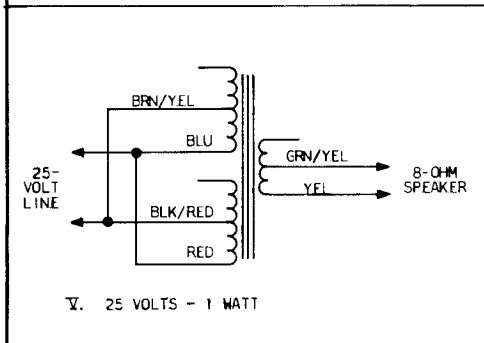
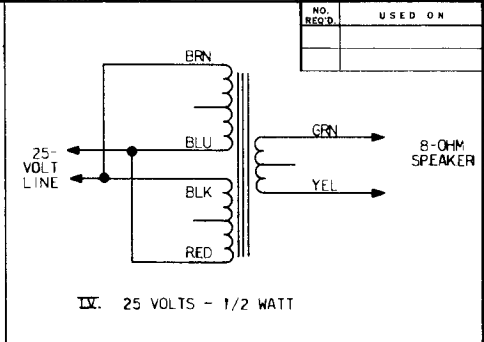
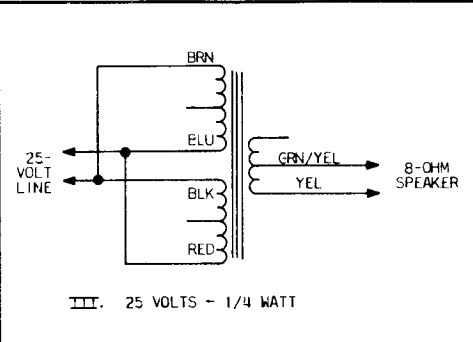
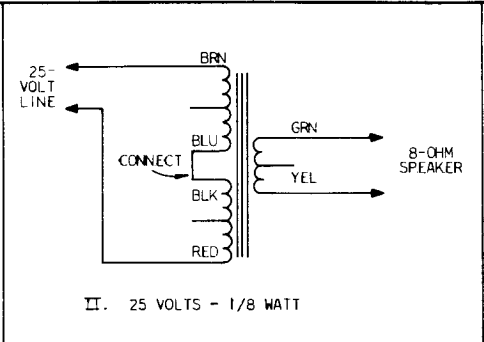
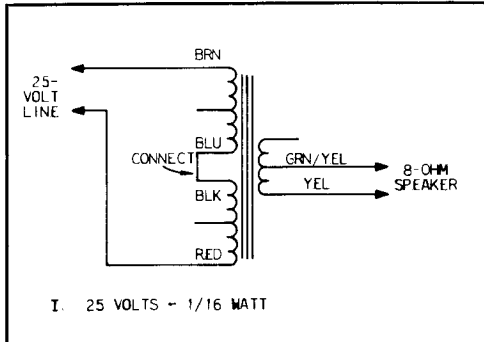


COMMUNICATIONS SYSTEMS INSTALLATION DATA

400-1463	
NO. REC'D.	USED ON



A 16-OHM SPEAKER MAY BE CONNECTED IN PLACE OF THE 8-OHM SPEAKER INDICATED IN THE ABOVE HOOK-UPS FOR 1/2 THE INDICATED POWER LEVEL OR MAY BE CONNECTED TO THE 16-OHM TAP (GREEN AND YELLOW), IF AVAILABLE, AT THE INDICATED POWER LEVEL.

A FOUR-OHM SPEAKER MAY BE CONNECTED IN PLACE OF THE 8-OHM SPEAKER INDICATED FOR TWICE THE INDICATED POWER LEVEL OR MAY BE CONNECTED TO THE 2-OHM TAP (GREEN AND YELLOW/GREEN), IF AVAILABLE, AT 1/2 THE INDICATED POWER LEVEL.

THE MAXIMUM RATED LEVEL FOR THE TRANSFORMER IS 2 WATTS PROGRAM MATERIAL.

402-120

MATERIAL _____ FINISH _____		SCALE _____ DATE 12-20-65	
UNLESS OTHERWISE SPECIFIED DECIMAL DIMENSIONS TO BE ± .		FRACTIONAL DIMENSIONS TO BE ±	
ANGLES TO BE ±		ISSUE _____ W.A.S. _____ DATE APPR. _____	
DuKane Corporation ESTABLISHED 1922 ST. CHARLES, ILLINOIS U.S.A.		SUGGESTED HOOK-UPS FOR 710-3065 TRANSFORMER DRAWN <i>AW</i> APP'D. <i>JTB</i> ENGR. C. U. S. CHECKED _____	
		NO. 400-1463-00 ISSUE _____	

710-3065