

DUKANE

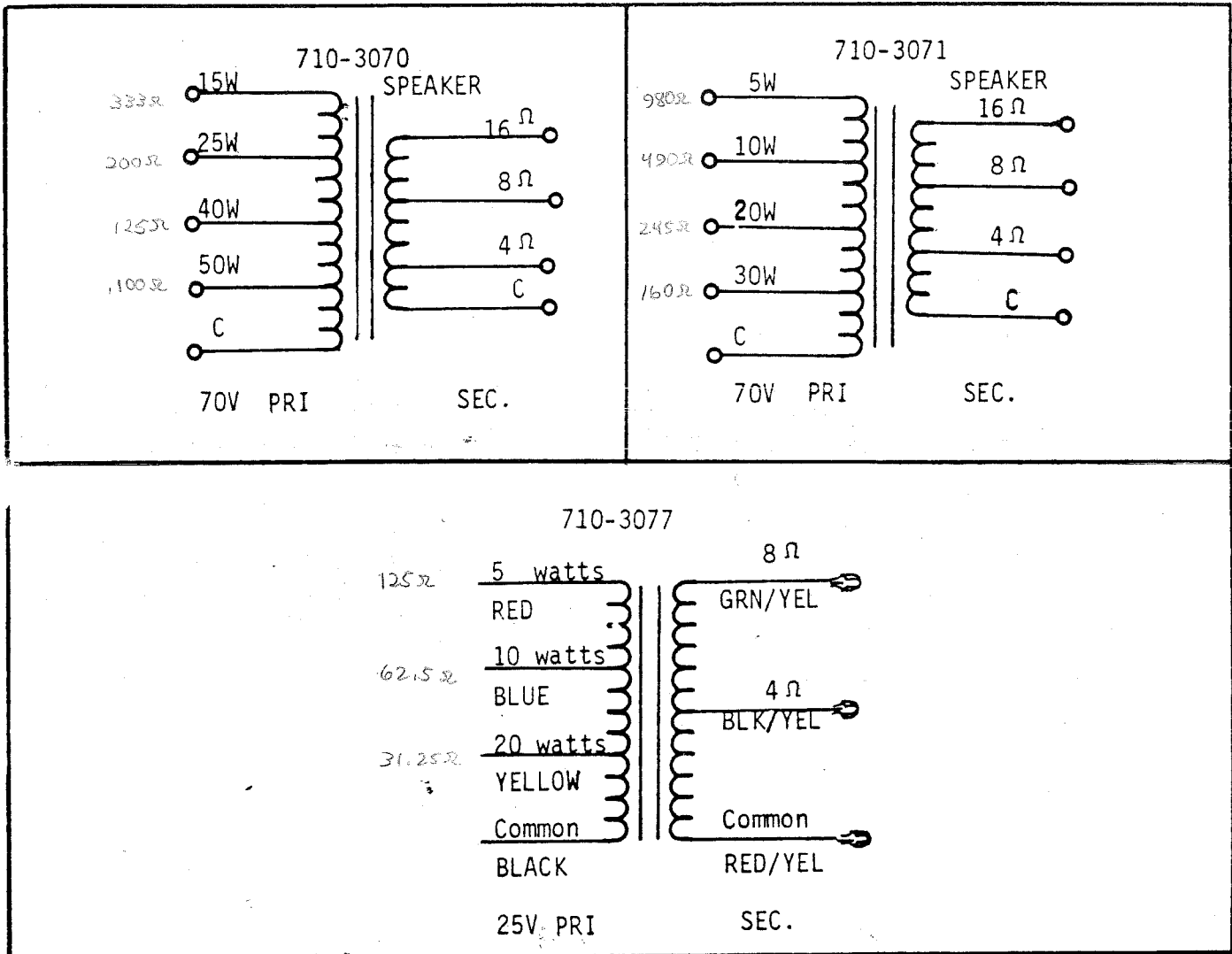
External Connections

SPEAKER MATCHING TRANSFORMERS

MODELS 710-3070, -3071, -3077, -3085, -3095, -3096

COM 13 MAY 1975

COMMUNICATIONS SYSTEMS INSTALLATION MANUAL

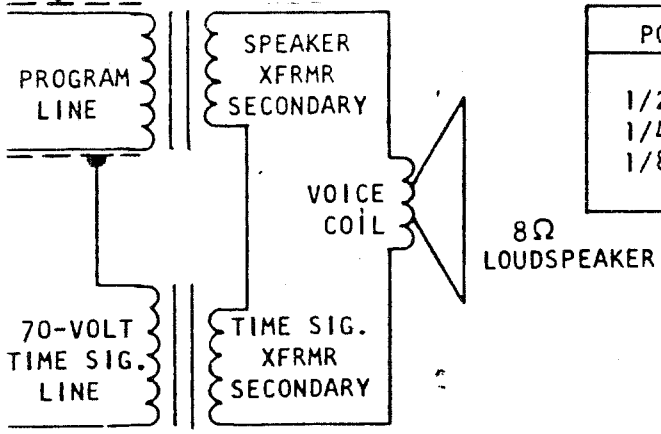


NOTE - The above values are based on a rated secondary load. With a sixteen-ohm load connected to the eight-ohm winding, primary impedance values are doubled. Power ratings are then divided by "2".

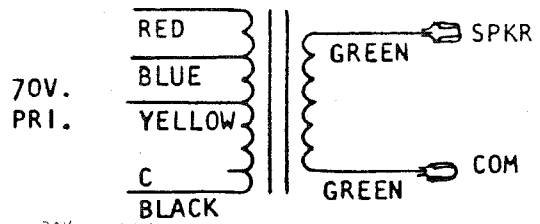
402-103D



710-3085 TIME SIGNAL TRANSFORMER is used on 70-volt time signal lines. The secondary winding of the 710-3085 transformer is connected in series with the secondary winding of the program line speaker matching transformer; thus, one lead from the program line transformer is connected to the speaker voice coil and one lead from the time signal transformer is connected to the other voice coil terminal. See diagram at left.



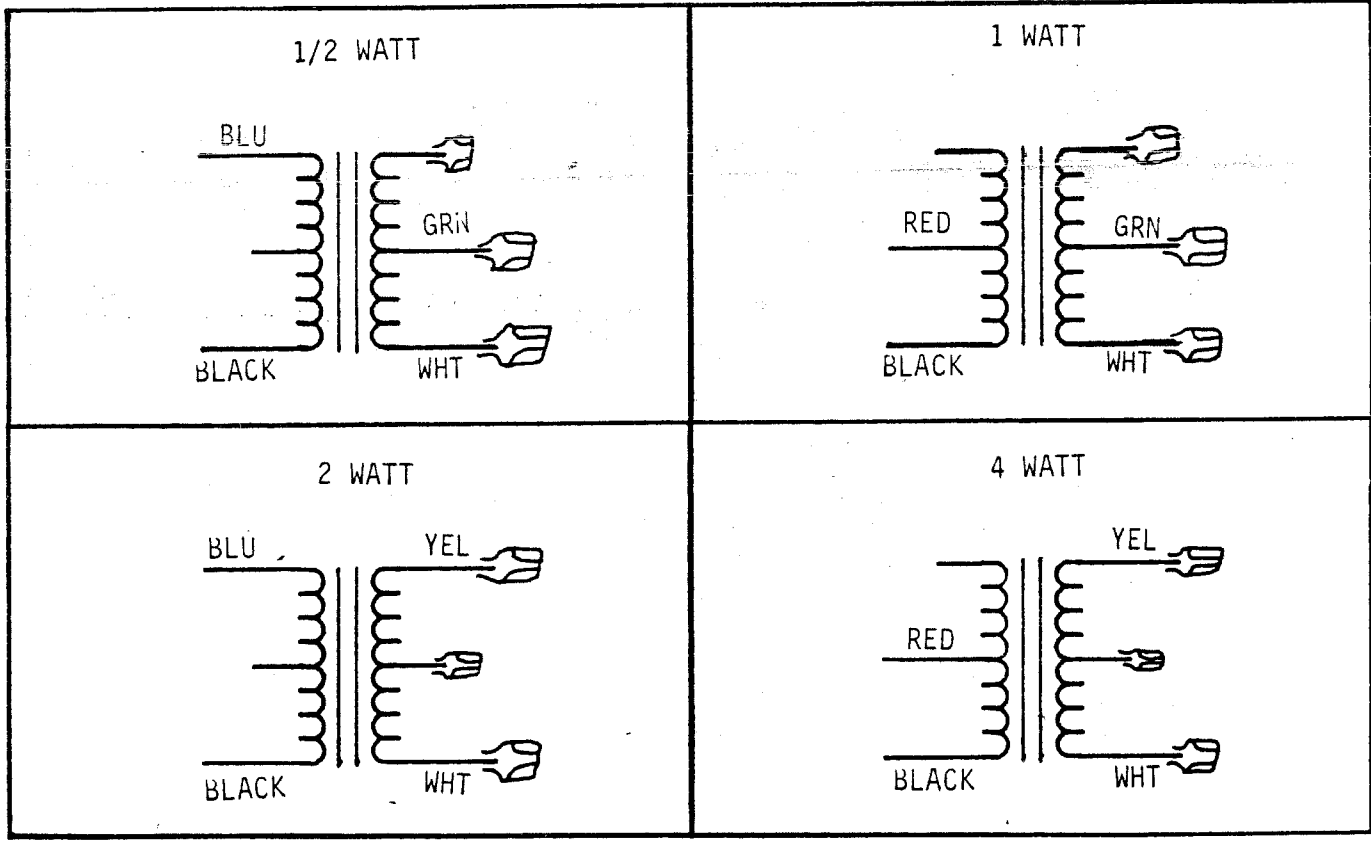
POWER	PRIMARY	SECONDARY
1/2 watt	Blk and Yel	Green and Green
1/4 watt	Blk and Blue	" "
1/8 watt	Blk and Red	" "



COLOR	IMP	70V	25V
YEL	9800	1/2	1/16
BLU	19600	1/4	1/32
RED	39200	1/8	1/64

710-3085

710-3095, -3096



NOTE - The input voltages are 70 volts for 710-3095, and 25 volts for 710-3096. The above rated values are based on a rated secondary load of eight ohms. With a sixteen ohm load connected to the eight ohm winding, primary impedance values are doubled. Power ratings are then divided by "2".