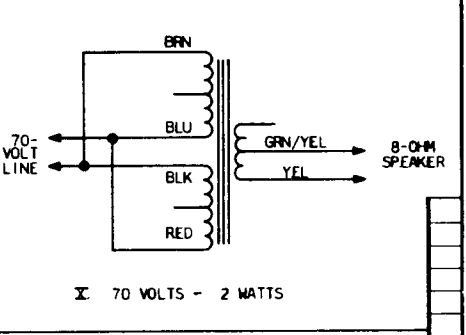
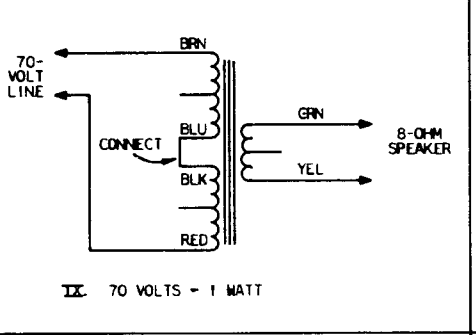
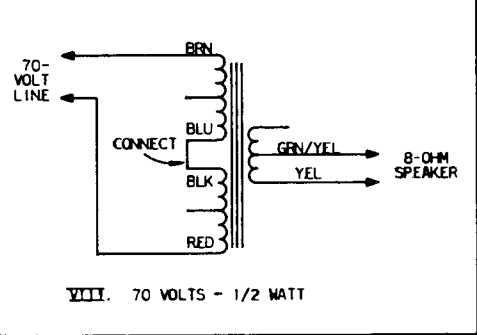
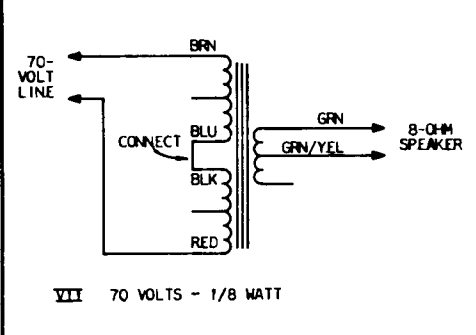
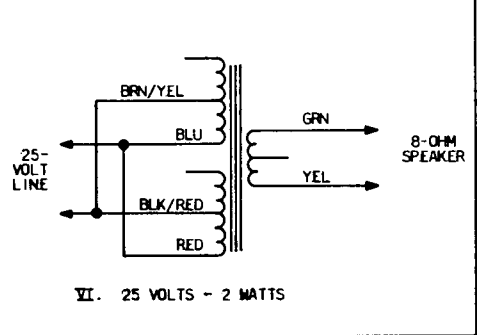
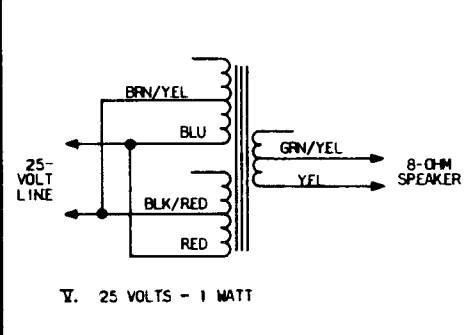
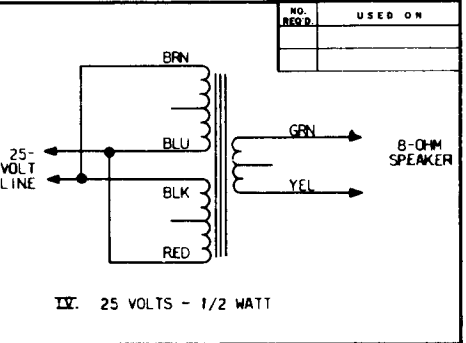
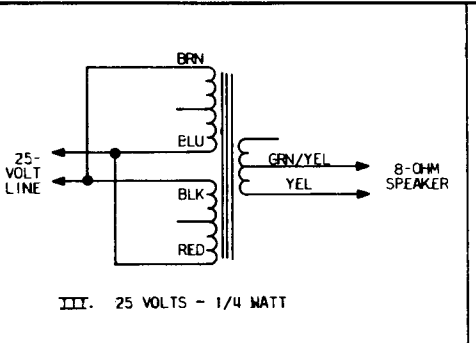
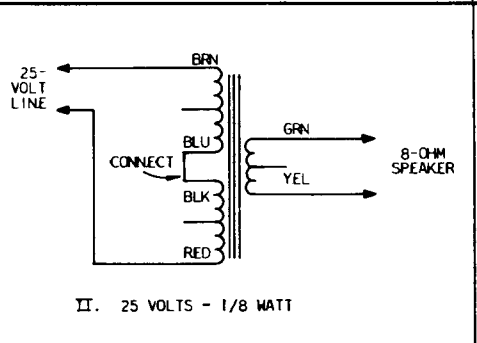
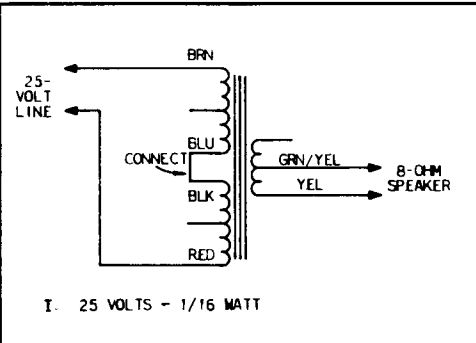


COMMUNICATIONS SYSTEMS INSTALLATION DATA

400-1463	
NO. REQ'D.	USED ON



A 16-OHM SPEAKER MAY BE CONNECTED IN PLACE OF THE 8-OHM SPEAKER INDICATED IN THE ABOVE HOOK-UPS FOR 1/2 THE INDICATED POWER LEVEL OR MAY BE CONNECTED TO THE 16-OHM TAP (GREEN AND YELLOW), IF AVAILABLE, AT THE INDICATED POWER LEVEL.

A FOUR-OHM SPEAKER MAY BE CONNECTED IN PLACE OF THE 8-OHM SPEAKER INDICATED FOR TWICE THE INDICATED POWER LEVEL OR MAY BE CONNECTED TO THE 2-OHM TAP (GREEN AND YELLOW/GREEN), IF AVAILABLE, AT 1/2 THE INDICATED POWER LEVEL.

THE MAXIMUM RATED LEVEL FOR THE TRANSFORMER IS 2 WATTS PROGRAM MATERIAL.

MATERIAL	FINISH	SCALE	DATE	ISSUE	W A S	DATE	APPR.
UNLESS OTHERWISE SPECIFIED DECIMAL DIMENSIONS TO BE ±		FRACTIONAL DIMENSIONS TO BE ±		ANGLES TO BE ±		12-20-65	
<b>DUKANE</b> Corporation ESTABLISHED 1922 ST. LOUIS, ILLINOIS U.S.A.			SUGGESTED HOOK-UPS FOR 710-3065 TRANSFORMER		DRAWN <i>AW</i> CHECKED	APP'D <i>LJB</i> ENGR. C. D. S.	NO. 400-1463 - 29 ISSUE

402-120

710-3065