

DUKANE MODEL 7A215A TELEPHONE STATION



GENERAL DESCRIPTION

The DuKane Model 7A215A Telephone Station is designed for use in telephone-paging-intercom systems, and with sound system consoles to provide intercom service at remote locations.

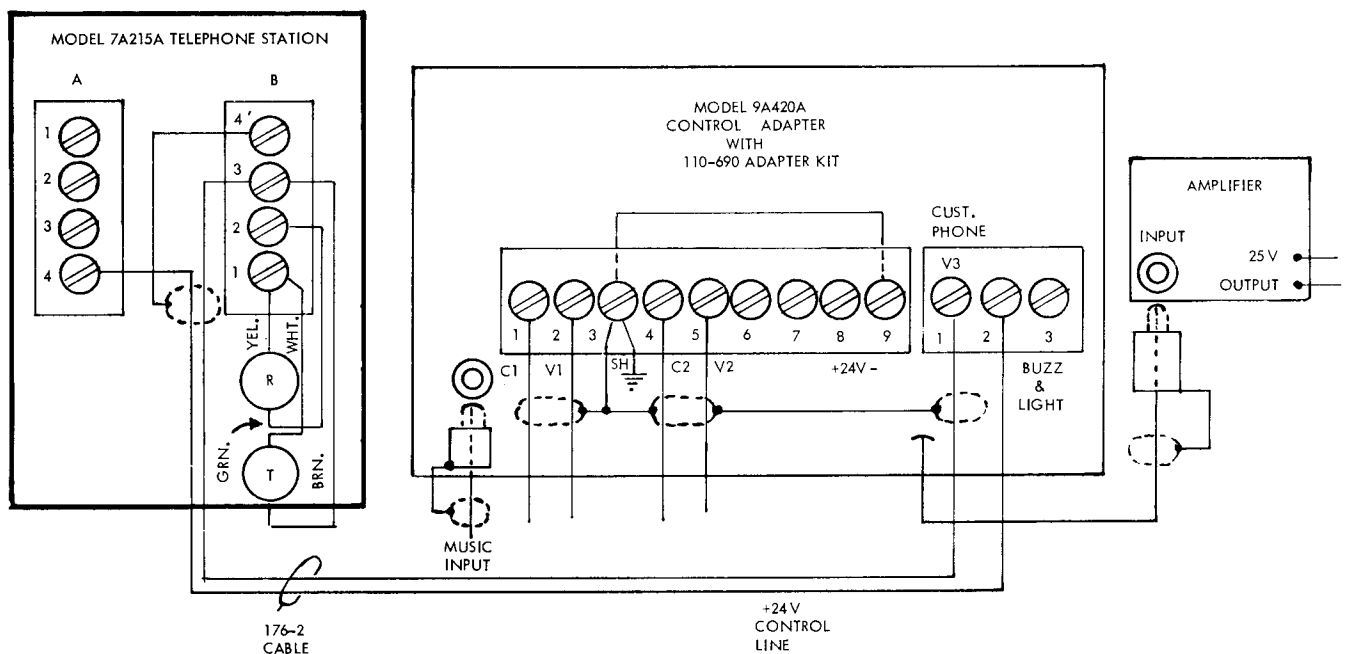
POWER REQUIREMENTS

The Model 7A215A Telephone Station requires 24 volts DC for handset operation.

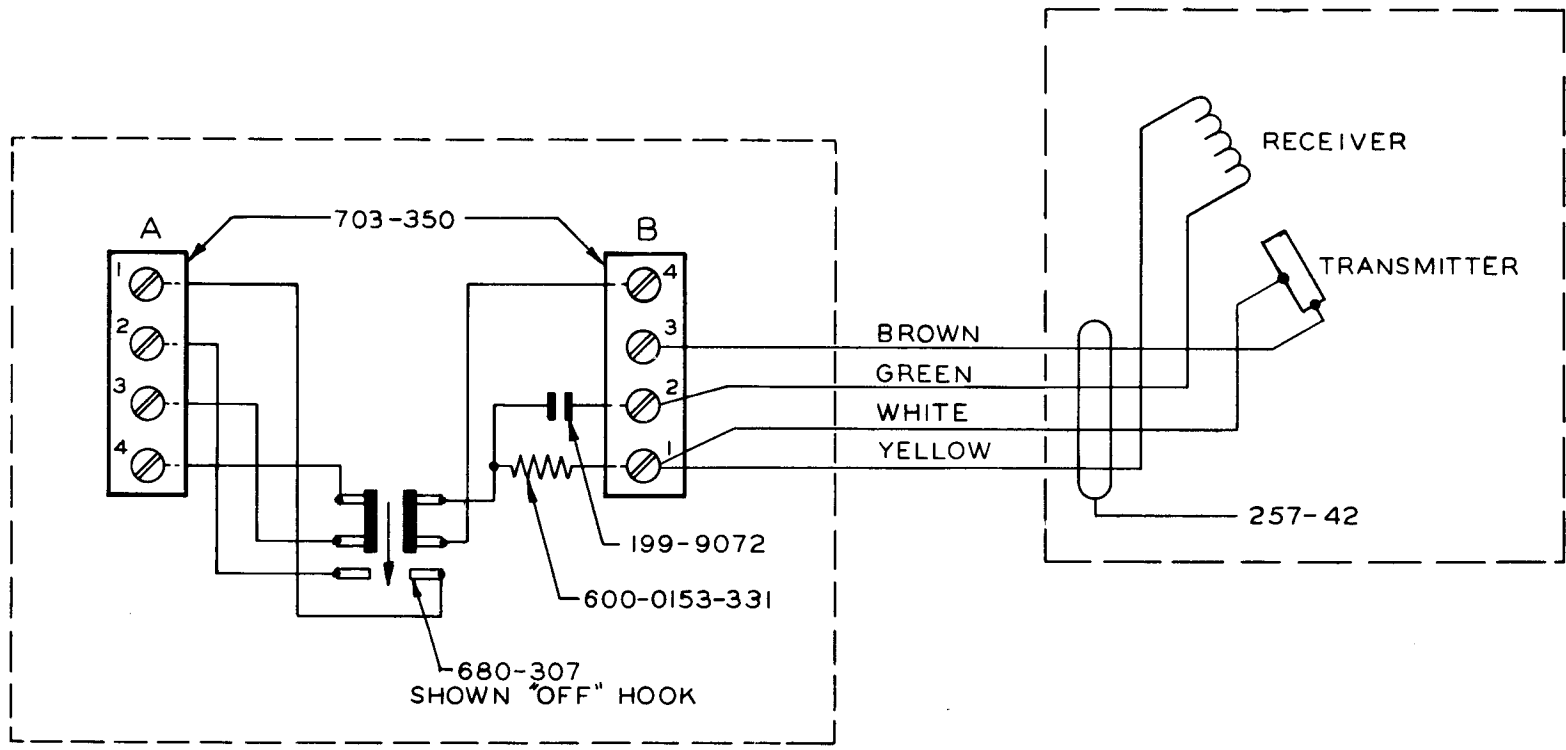
PREPARATION FOR USE

See schematic diagram for external wiring connections.

For use in telephone-paging system, make connections shown below.



190-993	
NO. REQ'D	USED ON



9A685

MATERIAL: _____ FINISH: _____
 UNLESS OTHERWISE SPECIFIED DECIMAL DIMENSIONS TO BE ± .001 FRACTIONAL DIMENSIONS TO BE ± 1/16" ISSUE: _____ WAS: _____ DATE: _____ APPR: _____

DUKANE
 CORPORATION
 ESTABLISHED AS "OPERADIO" 1922
 ST. CHARLES, ILLINOIS, U. S. A.

SCHEMATIC DIAGRAM
 WALL PLATE HOOK
 SWITCH ASSEMBLY
 MODEL 7A215A

SCALE: $\frac{1}{2}$ " = 1"
 DATE: 7-20-60
 DRAWN: J.D. APP'D: *WDR*
 CHECKED: *APK* ENGR: *JEC*
NO. 190-993

00
 ISSUE