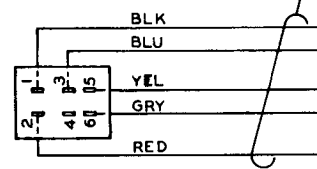
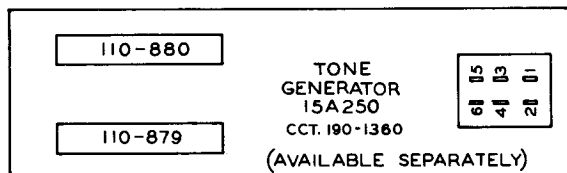
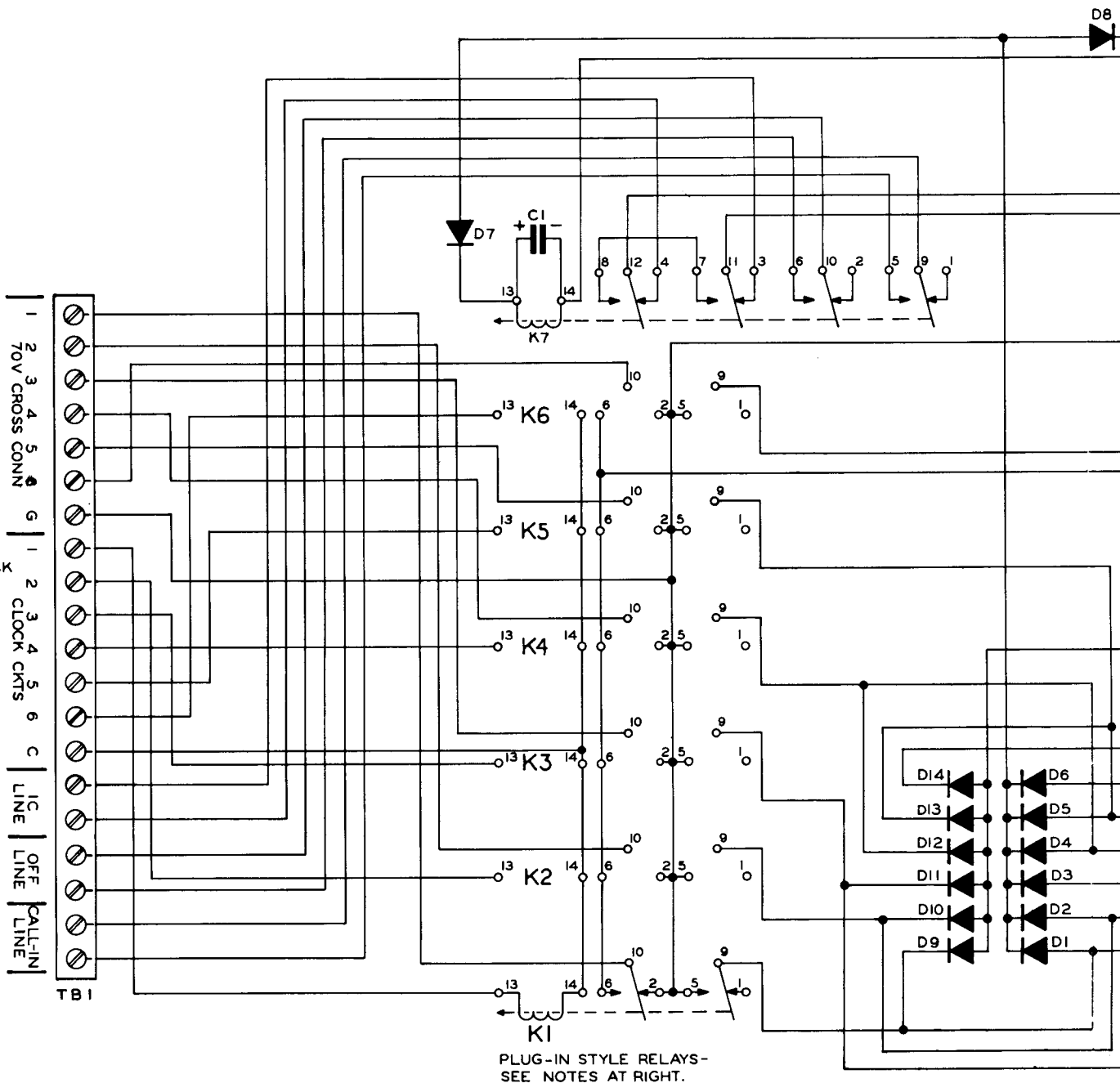


BASIC 15A250 DOES NOT INCLUDE 110-880 WARBLE TONE OSCILLATOR.



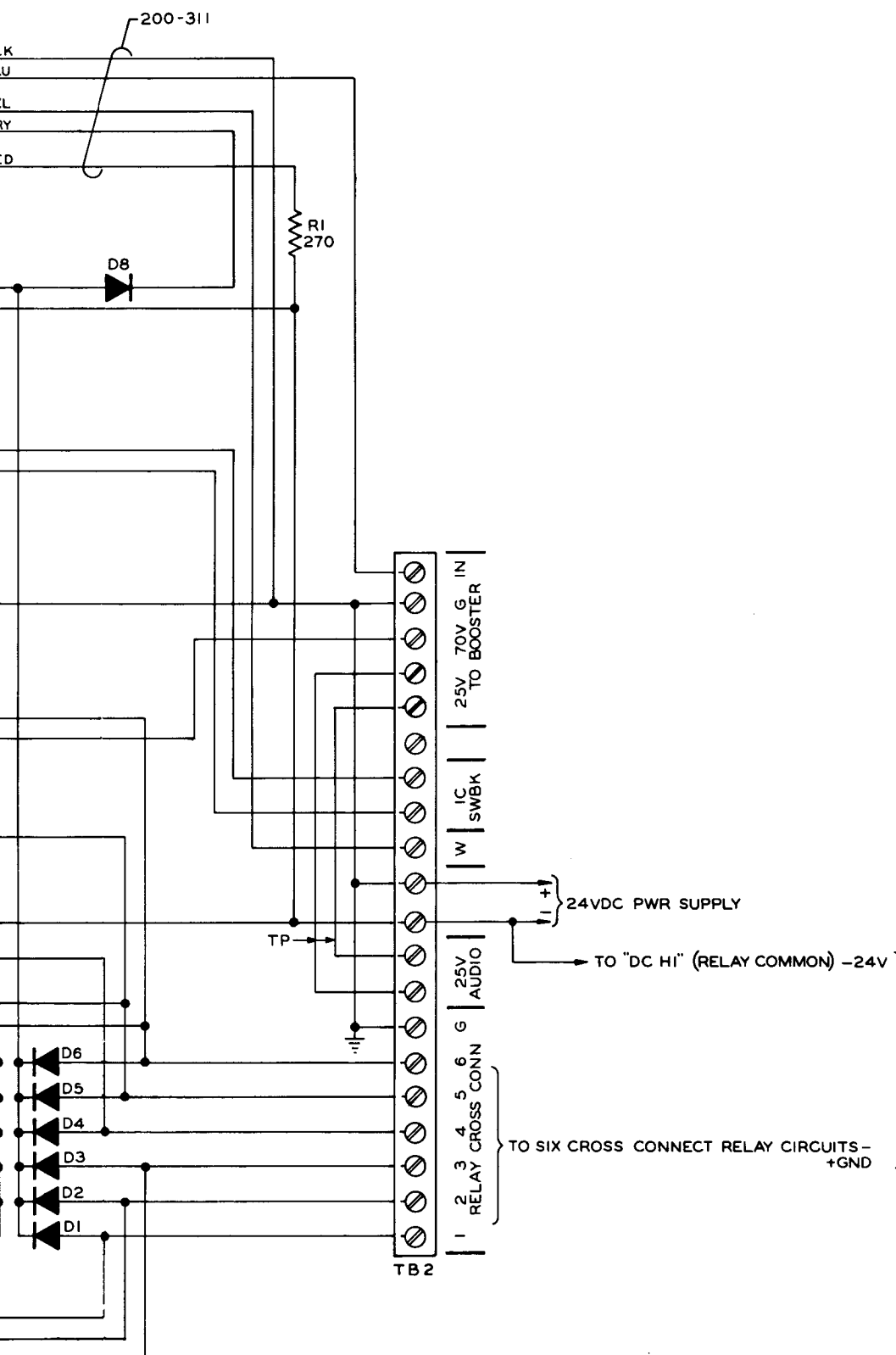
CONTROL VOLTAGE FROM MASTER CLOCK MAY BE 24VDC, 24 VAC OR 120 VAC; RELAYS K1 THRU K8 ARE CHOSEN AC-CORDINGLY.



PLUG-IN STYLE RELAYS- SEE NOTES AT RIGHT.

LIST OF ELECTRICAL PARTS

LEG.	DESCRIPTION	REQD	PART NO.
CI	CAPACITOR 100MFD. 50W.	1	199-2000-107
D1,2,3,4,5,6,7,8,9,10,11,12,13,14	RECTIFIER	8	595-44
K1-K6	RELAY-4PDT	OPTNL	SEE NOTE 2
K7	" "	1	596-126
RI	RESISTOR 270 OHM 2W	1	600-0153-271
TBI,2	TERMINAL BOARD	2	703-233



- NOTES:
- ONLY (2) 596-126 RELAYS K1 & K7 ARE FURNISHED WITH 9A1040, ANY ADDITIONAL MUST BE ORDERED SEPARATE.
 - RELAYS K1 THRU K6 MAY BE:
 - 596-126, 24-VOLT DC RELAY.
 - 596-153, 24-VOLT AC RELAY.
 - 596-154, 120-VOLT AC RELAY.

MATERIAL		FINISH		02	REV TO DATE	1-13-70
UNLESS OTHERWISE SPECIFIED DECIMAL DIMENSIONS TO BE ± .		FRACTIONAL DIMENSIONS TO BE ±		01	D9 THRU D14 WERE ON + SIDE	12-30-65
<p>DUKANE Corporation ESTABLISHED 1922 ST. CHARLES, ILLINOIS U.S.A.</p>		<p>SCHEMATIC DIAGRAM MODEL 9A1040</p>		SCALE	DATE	10-11-65
NO. REQ'D.	USED ON	DRAWN	APP'D.	CHECKED	ENGR.	NO. 190-1359