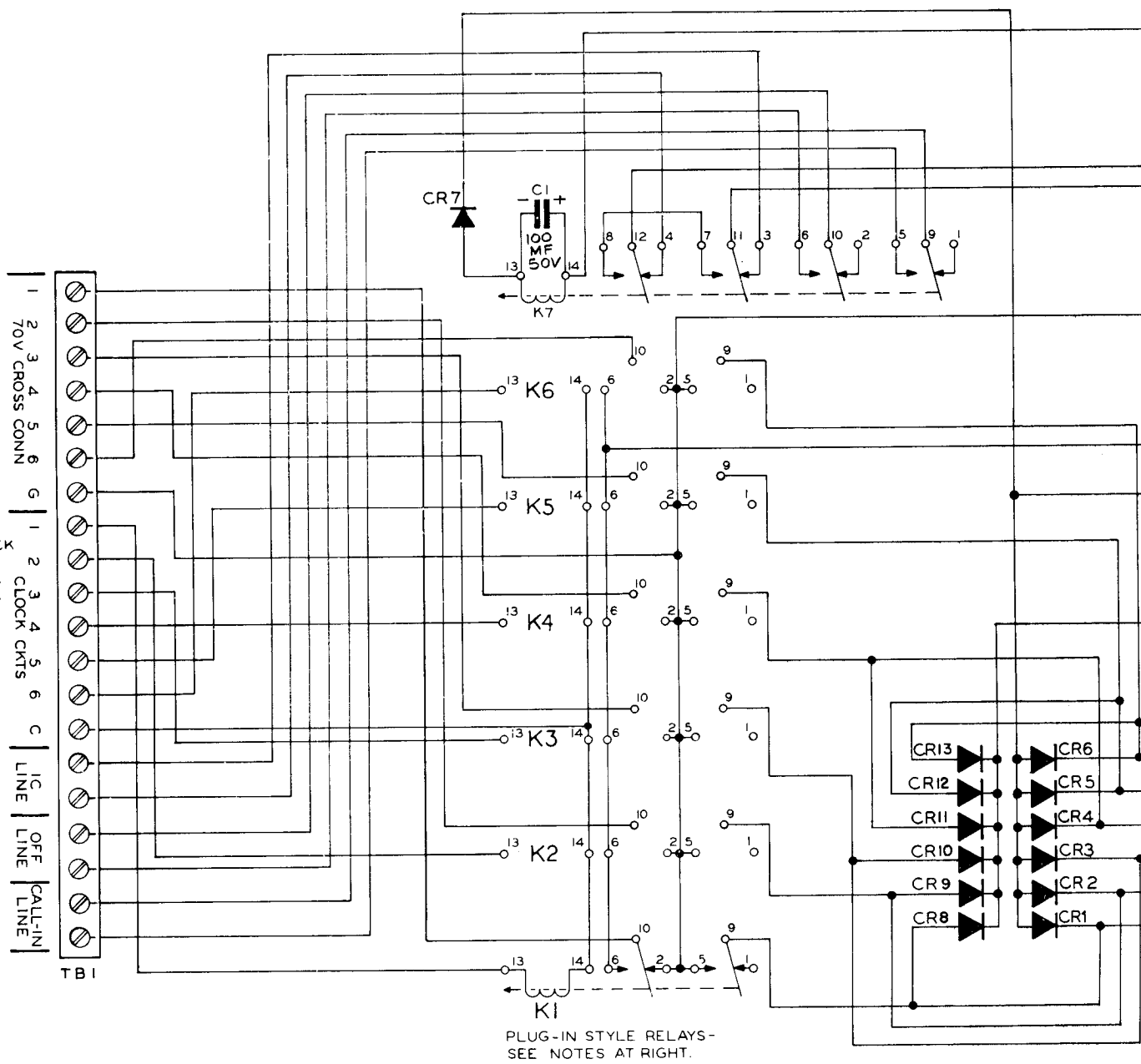


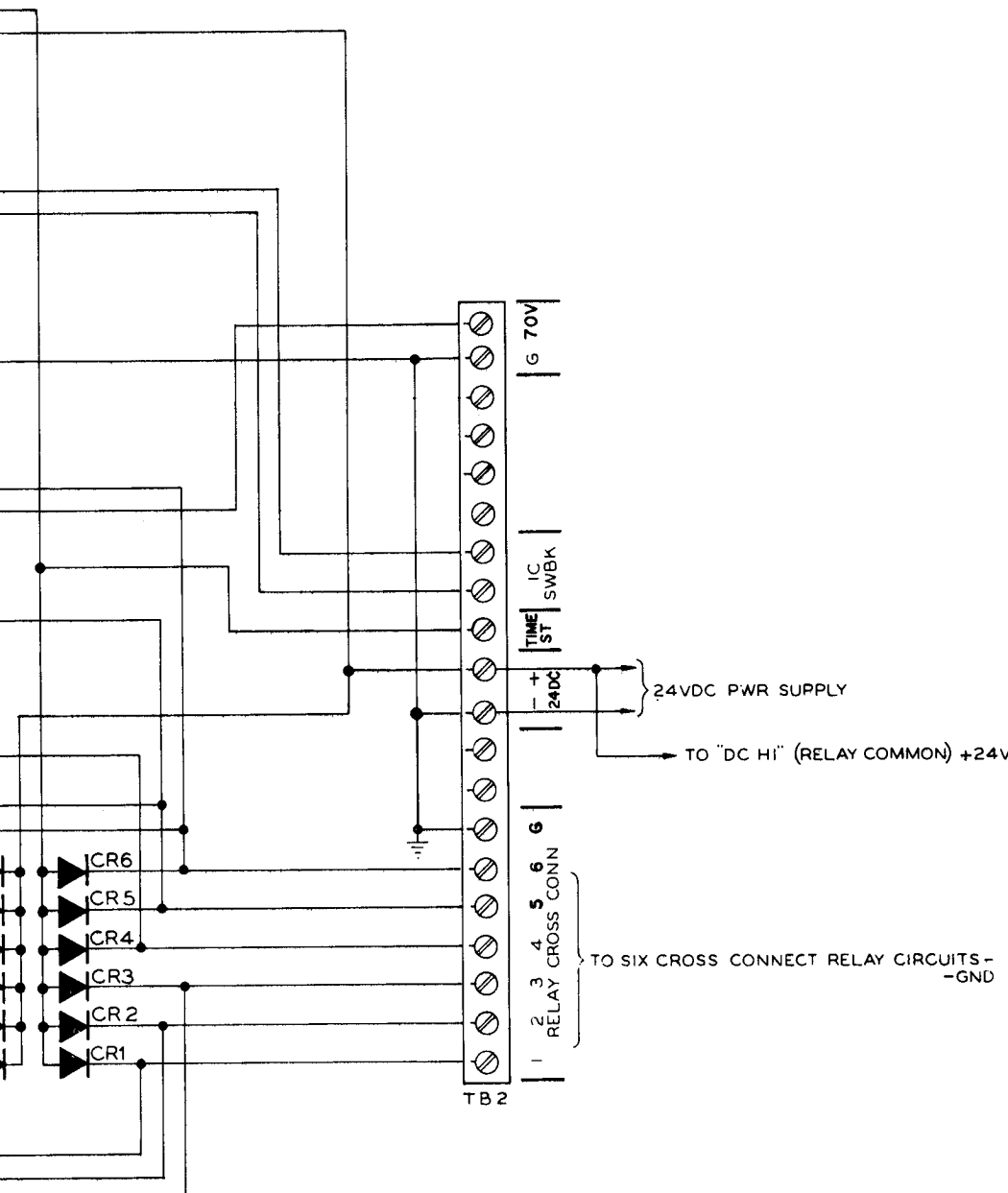
CONTROL VOLTAGE FROM MASTER CLOCK MAY BE 24VDC, 24 VAC OR 120 VAC; RELAYS K1 THRU K6 ARE CHOSEN AC-CORDINGLY.

SEE NOTE 2



PLUG-IN STYLE RELAYS - SEE NOTES AT RIGHT.

REVISIONS			
ISS.	DESCRIPTION	APP'D	DATE



NOTES:

1. ONLY (2) 596-126 RELAYS K1 & K7 ARE FURNISHED WITH 9A1041, ANY ADDITIONAL MUST BE ORDERED SEPARATE.
2. RELAYS K1 THRU K6 MAY BE:
 - a. 596-126, 24-VOLT DC RELAY.
 - b. 596-153, 24-VOLT AC RELAY.
 - c. 596-154, 120-VOLT AC RELAY.

24VDC PWR SUPPLY

TO "DC HI" (RELAY COMMON) +24V

24VDC CONTROL VOLTAGE FOR SPEAKER RELAYS

TO SIX CROSS CONNECT RELAY CIRCUITS - GND