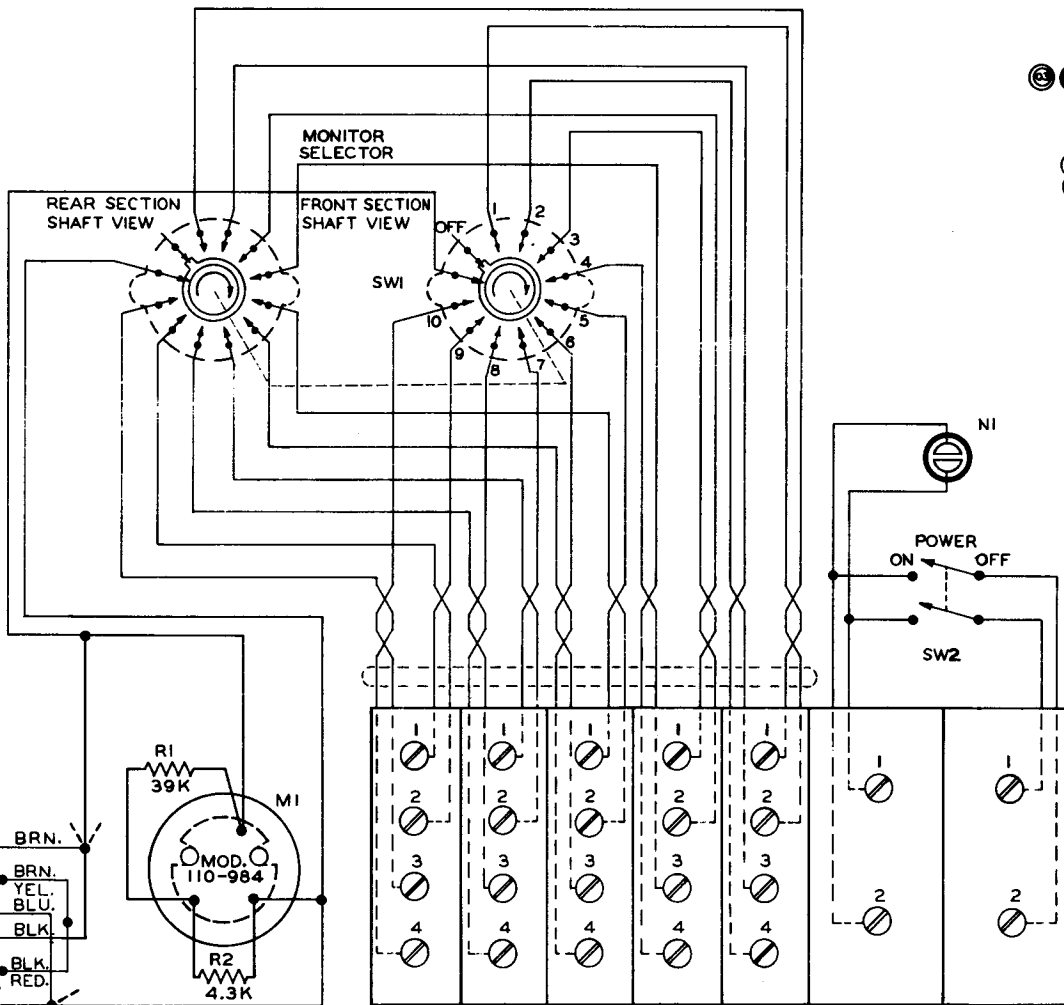
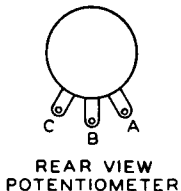


190-1003
 NO. USED ON
 9A435A

404-156-02

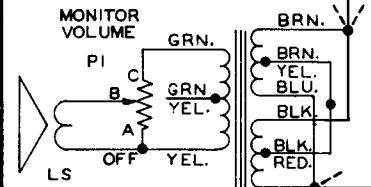


LIST OF ELECTRICAL PARTS

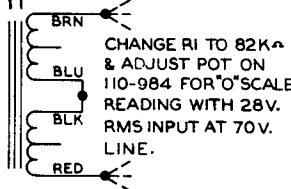
LEGEND	DESCRIPTION	QTY.	PART NO.
MI	METER	1	485-1505
NI	PILOT LIGHT ASS'Y.	1	566-52
PI	POTENTIOMETER 60Ω	1	601-55
R1	RESISTOR 39K 1/2W ±5%	1	600-0073-393
R2	" 4.3K " " "	1	600-0073-432
SW1	SWITCH	1	680-180
SW2	SWITCH	1	680-303
LS	LOUDSPEAKER	1	S-9935A
TI	TRANSFORMER	1	710-3065-01

NOTE -
 1. K = 1000 OHMS.

* REV. 03 STARTS WITH SER. # A226930



MODIFICATION FOR 70V. CONNECTIONS.



ON MODEL 110-984
 ADJUST POT FOR "O"
 SCALE READING WITH
 10V. RMS INPUT AT
 25V. LINE.

04	ADD MODIFICATION FOR 70V USE.	6-13-68	
03	ADDED SERIAL NO. M1 WAS 485-2010 ADDED R1, R2 ADDED MOD. 110-984 DELETE P2 601-134	7-20-67	
02	WAS 485-2006	7-13-64	
01	ADDED MON. SEL. SWITCH NO'S POWER ON, OFF, MON. VOLUME, OFF	1-18-63	

MATERIAL _____ FINISH _____

UNLESS OTHERWISE SPECIFIED DECIMAL DIMENSIONS TO BE \pm .1 FRACTIONAL DIMENSIONS TO BE \pm 1/32 INCH

SCALE _____ DATE 9-14-60

DRAWN J.D. APPROVED _____

CHECKED _____ ENGR. *EE*

NO. 190-1003

DUKANE CORPORATION
 ESTABLISHED AS "OPERADIO" 1922
 ST. CHARLES, ILLINOIS, U. S. A.

SCHEMATIC DIAGRAM
 MODEL 9A435A
 UNIVERSAL MONITOR PANEL

9A435A