

DUKANE MODEL 9A765 WALL PLATE & HOOKSWITCH

GENERAL DESCRIPTION

The DuKane Model 9A765 Wall Plate and Hookswitch is designed for use in DuKane sound systems with telephone intercom service; used in conjunction with a room speaker or some suitable annunciator, the 9A765 with a dynamic handset becomes a remote answering station with the same privacy of any telephone. Handset and system connections are made at terminal strips located behind the front plate; the wall plate is designed to fit a standard 2-gang electrical back box. The overall dimensions of the wall plate are 4-1/2 inches wide by 4-1/2 inches high and the hookswitch assembly requires 1-3/4 inches minimum depth behind the wall plate.

POWER REQUIREMENTS

The 9A765 Wall Plate and Hookswitch requires a dynamic handset and a suitable external source of handset power (24 volts DC) and incoming annunciator control and intercom lines.

PREPARATION FOR USE

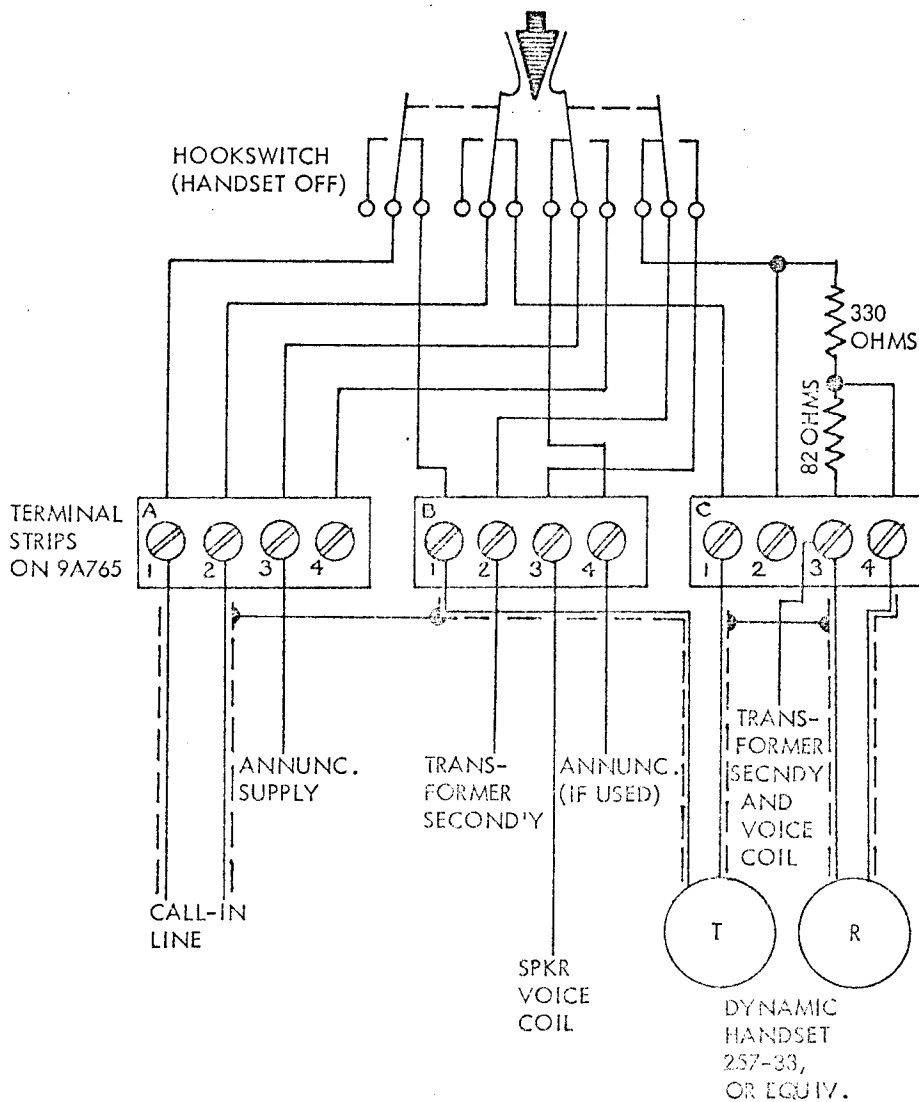
See schematic diagram for external wiring connections. With the handset off the hanger, the hookswitch may be regarded as two form "B" switches with two form "C" switches; i.e., the two form "B" switches are closed when the handset is off of the hanger, and these switches are open when the handset is placed in the hanger. It is possible to rewire the hookswitch assembly for four form "C" switches for any special application; the switch blades are included although not wired to terminals as a 9A765.

ALL DYNAMIC HANDSETS (DuKane Model 257-33, or equivalent)

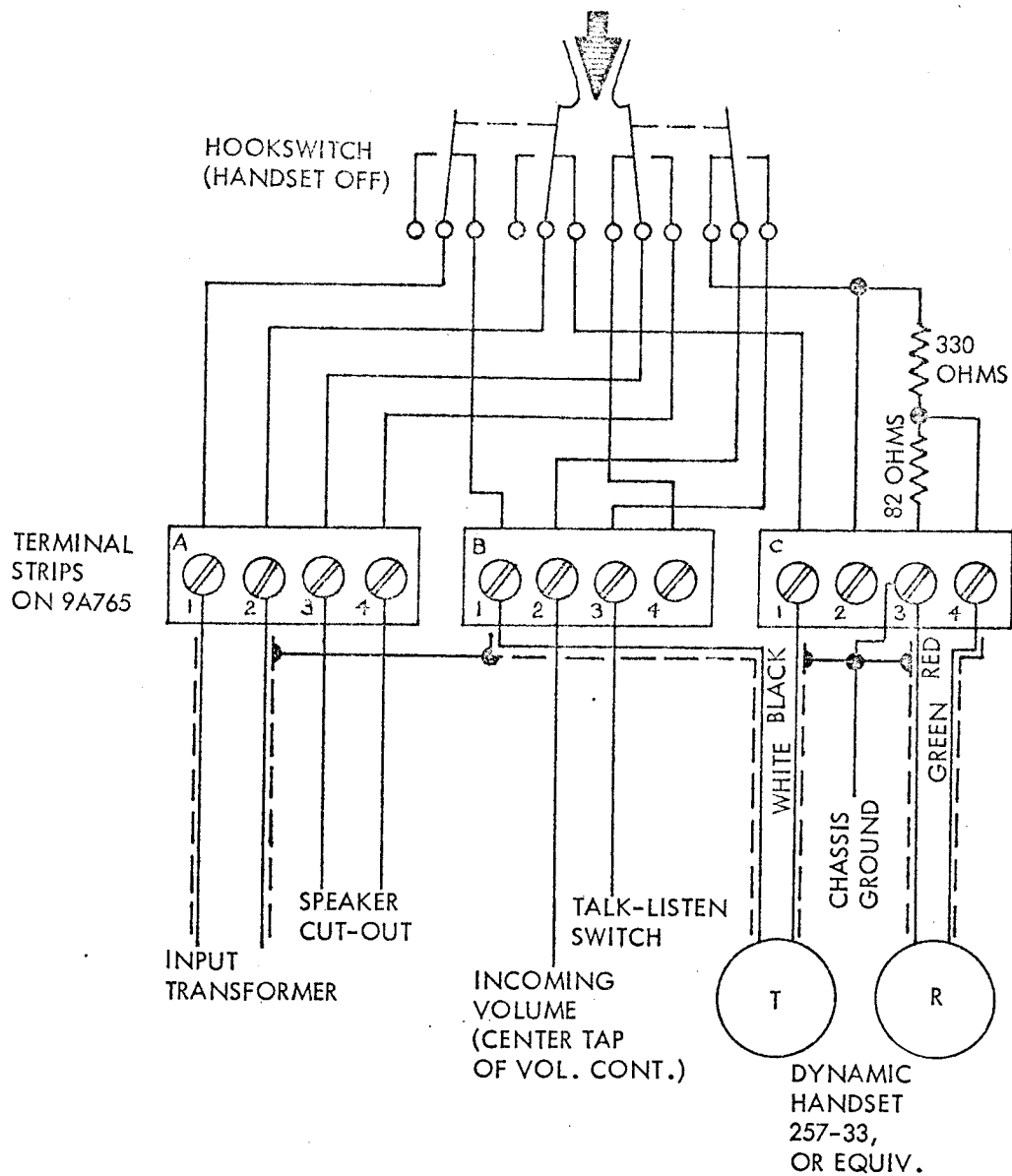
Connect the receiver wires to terminals 3 and 4 on terminal strip C; connect transmitter microphone wires to terminals 1 and 2. Connect shields together, and "ground" shields at system rack or console.

For the 257-33 dynamic handset, observe the following color code:
for the receiver--use the green wire and the red wire, and
for the transmitter--use the black wire and the white wire.

ROOM STATION HANDSET CONNECTIONS - DYNAMIC HANDSET



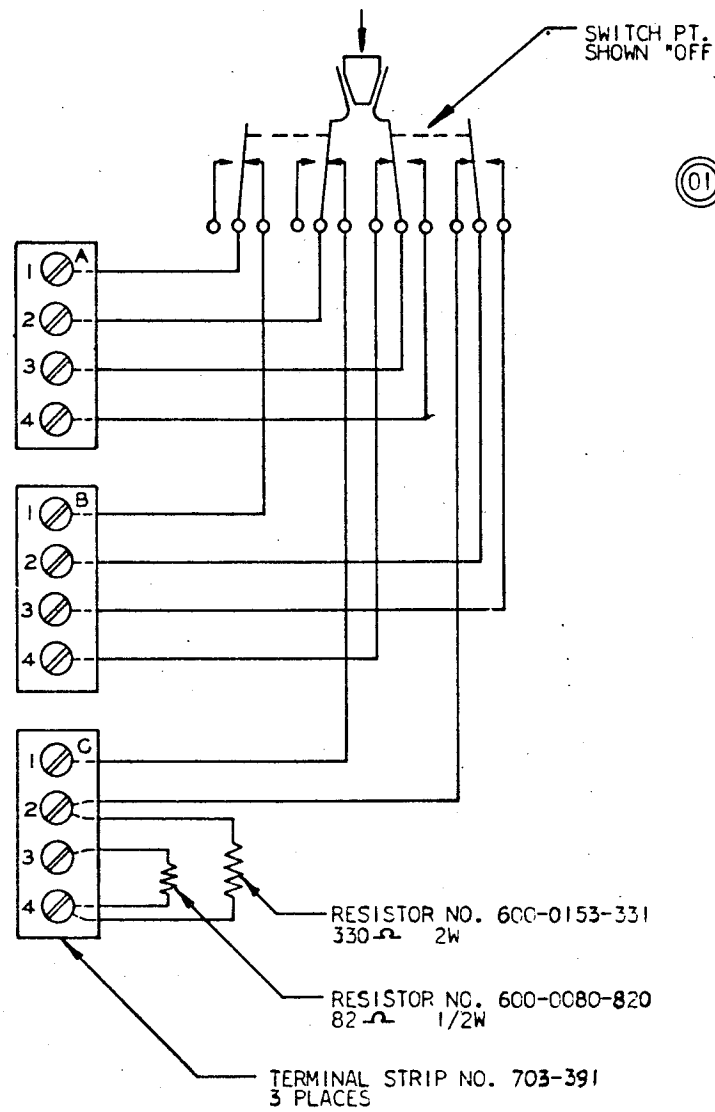
INTERCOM MASTER STATION HANDSET CONNECTIONS - 4A110, 4B100, or 4C100
AND DYNAMIC HANDSET



MAINTENANCE

With normal careful handling due any mechanical instrument, no extensive maintenance is required except an occasional functional check. If any 9A765 Wall Plate and Hookswitch does not operate properly, check all external wiring for any short circuit. Be sure that no bare wire touches another wire or terminal; a loose connection can cause intermittent operation. In the event that this telephone hookswitch assembly does not function properly, consult your nearest authorized DuKane distributor or dealer for prompt service.

| | |
|------------|------|
| 190-1020 | |
| NO. REQ'D. | USED |
| | |
| | |



(01)

| | | | |
|----------------------------------------|----------------------------------|----------------|------------------------------|
| CONSOLE (DYNAMIC) 4A11C-4B1C0-4C1C0 | | ROOM (DYNAMIC) | |
| E1 C1 | TIE TO TRANS. | C3 C4 | TIE TO REC. |
| C3 | GROUND | A1 A2 | CALL-IN LINE |
| E2 | INCOMING VOL. POT (SLIDE ARM) | B3 B4 | SPEAKER V. C. ANNUNCIATOR |
| A1 A2 | INPUT TRANS. | A3 | ANNUNC. SUPPLY |
| B3 | TALK-LISTEN SW. | C3 | TRANS. - SPKR |
| A3 A4 | SPEAKER CUT-OUT | B2 | TRANS. - SEC. |

| | | | | | | | |
|----------------------------------------------------------------------------------|--------|------------------------------------------------------------------------|-----------------|---------|---------------|--------------|-------|
| MATERIAL | FINISH | 01 | 4A110 WAS 4A100 | 1-30-61 | 01 | | |
| UNLESS OTHERWISE SPECIFIED DECIMAL DIMENSIONS TO BE ±. | | FRACTIONAL DIMENSIONS TO BE ± | ANGLES TO BE ± | ISSUE | W A S | DATE | APPR. |
| DuKANE Corporation ESTABLISHED 1922 ST. CHARLES, ILLINOIS U.S.A. | | SCHEMATIC DIAGRAM WALL PLATE HOOK SWITCH ASSEMBLY MODEL 9A765 | | SCALE | DATE 12-16-60 | NO. 190-1020 | |
| | | DRAWN C M | APP'D. WBR | CHECKED | ENGR. JEC | ISSUE | |