
Installation KI-1358B

1341 Power Supply Adapter Module



Rauland-Borg Corporation

Issued: 07/16/98

Page 1 of 8

Copyright 1998 by Rauland-Borg Corporation, all rights reserved.

This document contains user's information on technology that is proprietary to Rauland-Borg Corporation. Permitted transmittal, receipt, or possession of this document does not express license or imply any rights to use, sell, design or manufacture this information. No reproduction, publication, or disclosure of this information, in whole or in part, shall be made without prior written authorization from an officer of Rauland-Borg Corporation.

©Rauland-Borg Corporation

Rauland-Borg Corporation
3450 West Oakton Street
Skokie, Illinois 60076-2958
(847) 679-0900
www.rauland.com

Table of Contents

GENERAL INFORMATION	4
REVISION HISTORY	4
ALERTS, PRECAUTIONS, AND LIMITATIONS	4
RELATED DOCUMENTS	5
DRAWINGS, DIAGRAMS, AND OTHER GRAPHICS	5
INSTALLATION	6
ELECTRICAL INSTALLATION	6
<i>PSL25 Power Supply</i>	6
MECHANICAL INSTALLATION	7
WIRING DIAGRAMS	8

1

General Information

This module is an intermediate stage, electrically positioned between a DC power supply and associated control and room-selector panels in a Rauland communications system. It requires an external model PS91 DC Power Supply, which must be ordered separately.



Important:

The 1341 Power Supply Adapter Module is only required when the 1340 Priority Module is used with the MCC300 or MCZ300 Control Panels.

The Adapter Module contains voltage-regulator circuitry to light the LEDs on the associated SWT425 Room Selector Panel. It also contains circuitry to sense LED current on the SWT425 and activate (trigger-pulse) a call-in tone in the MCC300 or MCZ300 Control Panels.

Revision History



This manual has been reformatted. No substantial changes were made during the reformatting process.

Alerts, Precautions, and Limitations



- ✓ Observe all polarities, lead color codes, and schematic and wiring diagram reference designations when making electrical connections

Related Documents



Other related information can be found in the following manuals:

- ✓ KI-1606 *Telephone Control Panel Installation*
- ✓ KI-1357 *Priority Module Installation and Operation*
- ✓ KI-1243 *SWT425 Installation*

Drawings, Diagrams, and Other Graphics



This document includes the following drawings, diagrams, and/or supplemental graphics:

- ✓ KM-0630
- ✓ KC-1428

2

Installation

The following section contains information regarding Wiring and Mechanical installation.

Electrical Installation



Consult wiring diagrams KC1428 and KM0630 at the end of this manual for electrical connections.

Important:



Do not jumper the “L” and “K” leads of the SWT425 to the “L” and “K” leads of the SWL425 when both types of Switch Panels are used in the same system. Each type of Room Selector Panel requires a specified Power Supply to operate the annunciator LEDs. The PSL25 supplies power to the SWL425, and the 1341 Power Supply Adapter supplies power to the SWT425.

PSL25 Power Supply

The PSL25 Power Supply is only used when the SWL425 Room Selector Panel (providing visual annunciation of call-ins) is used for rooms without Priority Modules. It is separate and independent of other power supplies. One PSL25 Power Supply would accommodate a system using SWL425 Room Selectors. The Power Supply plugs into a 120V AC, 60Hz receptacle. Ensure that the power supply’s DC output is connector to the SWL425 as follows:

- ✓ Positive (+) DC voltage to the L terminal
- ✓ Negative (-) DC voltage to the K terminal

Mechanical Installation



Use double-sided adhesive foam tape to mount the Power Supply Adapter Module on a flat surface inside a rack or turret.



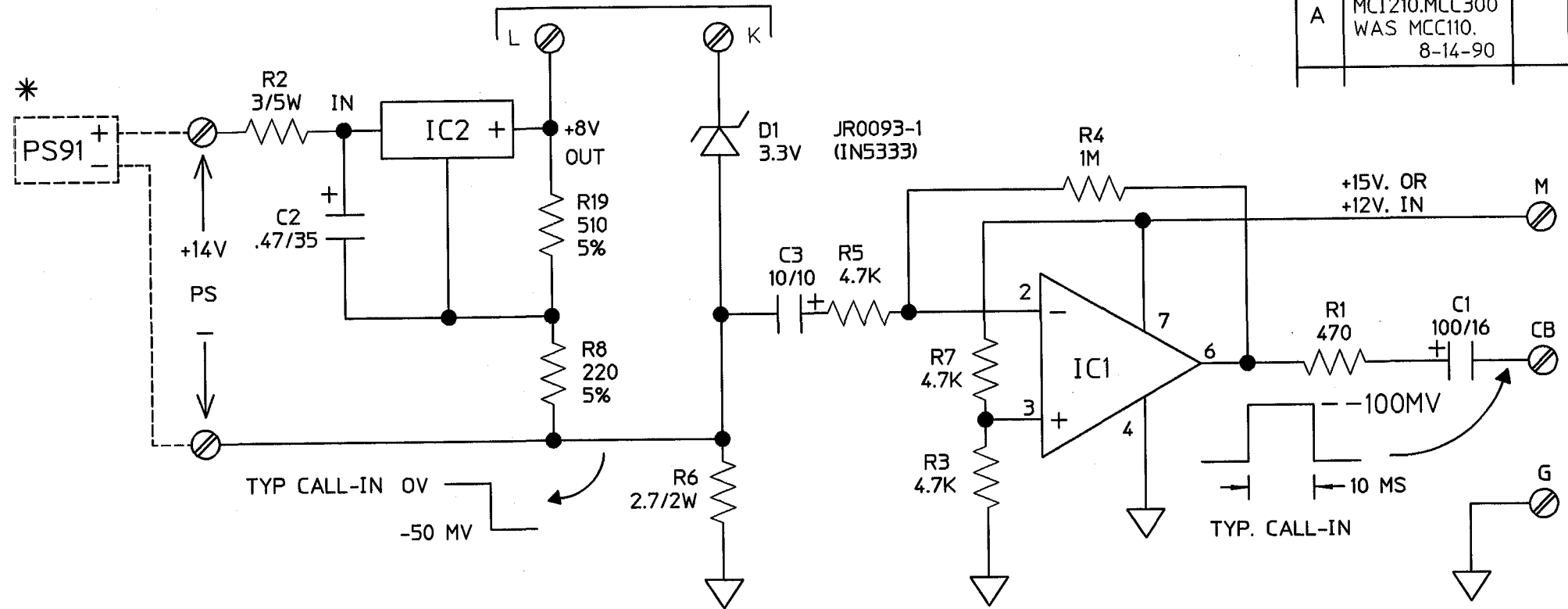
A

Wiring Diagrams

Consult the Wiring and Schematic diagrams, KC-1428 and KM-0630, on the following pages prior to installation.

DRG. NO.		KC1428	A
ISSUE	CHANGE		APPD.
A	MCZ300 WAS MCI210.MCC300 WAS MCC110. 8-14-90		

TO "L" & "K" TERMINALS OF SWT425



IC1= 741 (OP.AMP)
IC2= 7805 (5 V. REG.)

NOTES:
1. MODULE 1341 IS REQUIRED WHEN PRIORITY MODULE 1340 AND SW245 ARE USED WITH MCZ300 OR MCC300. THE MODULE SUPPLIES REGULATED POWER TO SWR245 LEDs AND SPECIFIED TONE TRIGGER PULSE TO INTERCOM.

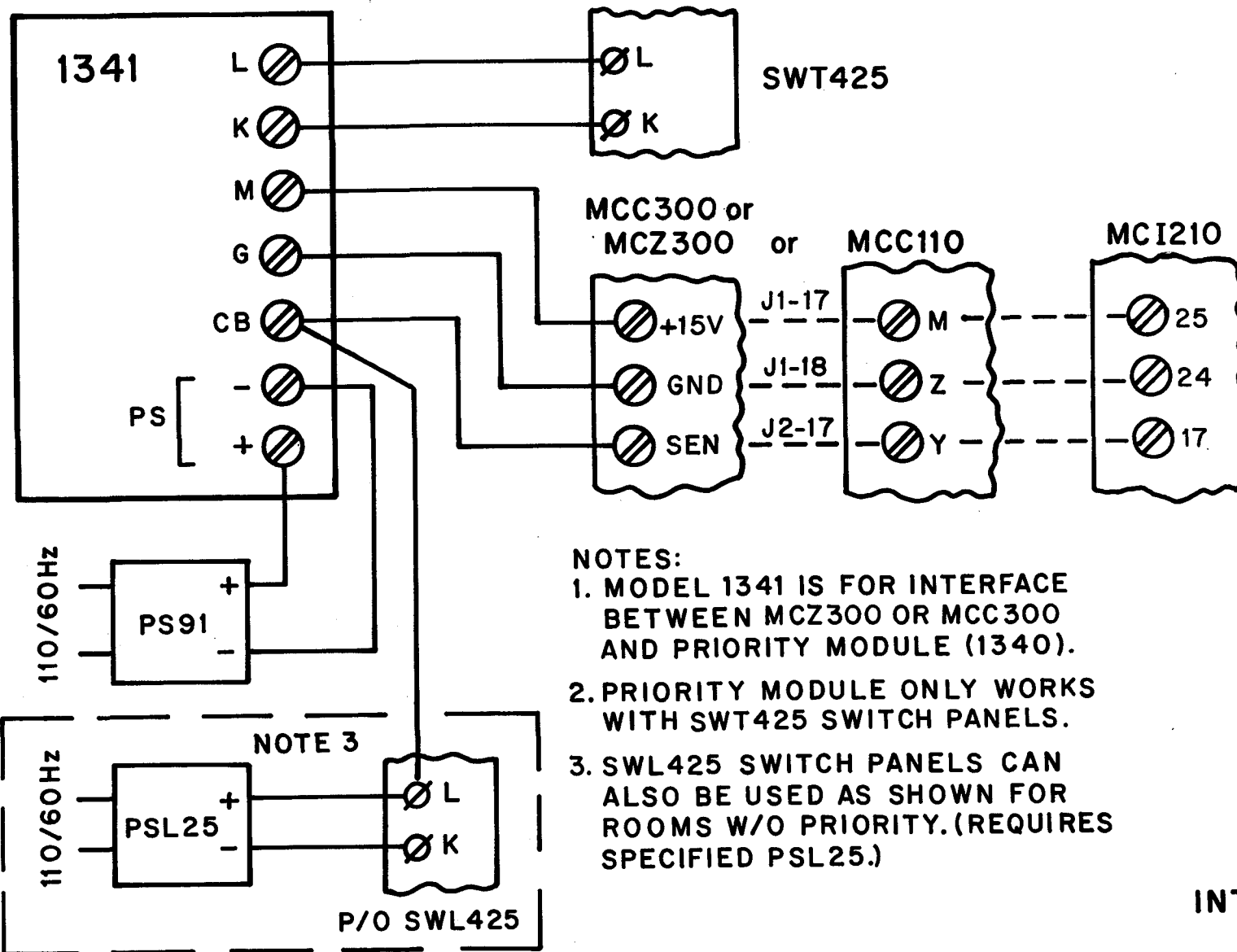
*2. MODEL PS91 IS ALSO REQUIRED AS SHOWN.

3. WIRING DIAGRAM: KM0630
SCHEMATIC (1340): KC1418

MODEL 1341
DIRECTOR SERIES
PRIORITY MODULE ADAPTER

RAULAND-BORG CORP.
SKOKIE, IL.
MADE IN U.S.A.

KC1428 A



NOTES:

1. MODEL 1341 IS FOR INTERFACE BETWEEN MCZ300 OR MCC300 AND PRIORITY MODULE (1340).
2. PRIORITY MODULE ONLY WORKS WITH SWT425 SWITCH PANELS.
3. SWL425 SWITCH PANELS CAN ALSO BE USED AS SHOWN FOR ROOMS W/O PRIORITY. (REQUIRES SPECIFIED PSL25.)

KM0630		B
4-15-83		
s.s.	CHANGE	
A	TERM. M WAS Y TERM. Y WAS M. 1-20-84	
B	MCC300 AND MCZ300 WERE ADDED. 8-14-90	

**POWER SUPPLY
 INTERFACE MODULE
 MODEL 1341
 RAULAND - BORG CORP.
 SKOKIE, ILL.
 MADE IN U.S.A.
 KM0630 B**