

**Rauland****ADS5010 ADMINISTRATIVE STATION
INSTALLATION**

RAULAND-BORG CORPORATION • 3535 West Addison Street, Chicago, Illinois 60618 (312) 267-1300

GENERAL

As a self-contained desk-top unit, the Model ADS5010 Administrative Station has few special installation requirements other than the cabling shown in riser diagram and related drawings. (Refer to System Planning and Cable Installation guidelines provided in KI-1426). Field wiring required for the ADS5010 is that between the NCS2011 Wall Receptacle and the TC5000 Area Control Unit. (See TC5000 Installation manual KI-1417 for information on terminating Administrative Station wiring to ACU modules.) Remaining requirements and recommendations for ADS5010 installation are described in this manual.

PACKAGING

The ADS5010 Administrative Station is packaged completely assembled in one carton. One NCS2011 receptacle is provided with each Administrative Station. Additional receptacles may be obtained if desired for optional control station locations. The ADS5010 includes two 6-32 x 3/4 Phillips-head finish screws.

LOCATION

The ADS5010 Administrative Station should be located on a table, desk, or counter capable of supporting a load of at least 10 pounds (4.5 kg). The outside dimensions of the ADS5010 are 11-3/8 inches wide by 6-1/2 inches deep by 4-3/8 inches high (28.89 cm by 16.51 cm by 11.11 cm), not including the handset. Space for the unit should be reserved accordingly.

A 6-foot (1.83 m) plug-ended interface cable is provided with the ADS5010 for connecting the unit to the NCS2011 Wall Receptacle. The Wall Receptacle should be located within 5 feet (1.53 m) of the desired Administrative Station location. Greater flexibility in control station location is afforded if the receptacle is located just under the height of the desk or countertop, rather than at baseboard level.

NOTE: Each NCS2011 Wall Receptacle requires at least a single-gang back box. We recommend Raco 245 box, 4-11/16 inch square with Raco 838 3/4-inch raised device.

Finally, user comfort and convenience are to be considered when choosing the Administrative Station location. For instance, the height of the surface on which the control station is placed can be a determining factor in the incidence of operator fatigue. Light and ambient noise levels should not be high enough to detract from visual and audible Administrative Station functions.

Recommended maximum levels are:

ambient light - 80 foot candles
ambient noise - 70dB

MECHANICAL INSTALLATION

The ADS5010 itself requires no mounting or mechanical installation. Be sure the back box(es) for the NCS2011 Wall Receptacle(s) is properly located and installed according to applicable codes. For a given Administrative Station, multiple Wall Receptacles may be installed in parallel to allow simple relocation of the Administrative Station.

ELECTRICAL INSTALLATION

Perform the following to complete electrical installation of the ADS5010 Administrative Station:

Step 1. A 6-inch pigtail cable is supplied with the NCS2011 Wall Receptacle. Splice the pigtail to ACU wiring as shown in Figure 1. Be sure to tape all cable shields.

NOTE: Optional Wall Receptacle locations may be installed by wiring additional receptacles in parallel.

Step 2. Two #6-32 x 3/4" finish screws are provided with the NCS2011. Mount the Wall Receptacle in the back box using these screws.

Step 3. Plug the interface cable into the Wall Receptacle.

*** CAUTION ***

DO NOT POWER UP THE ADS5010 UNTIL SYSTEM INSTALLATION IS COMPLETE.
(Refer to system initialization instructions provided in KI-1427.)

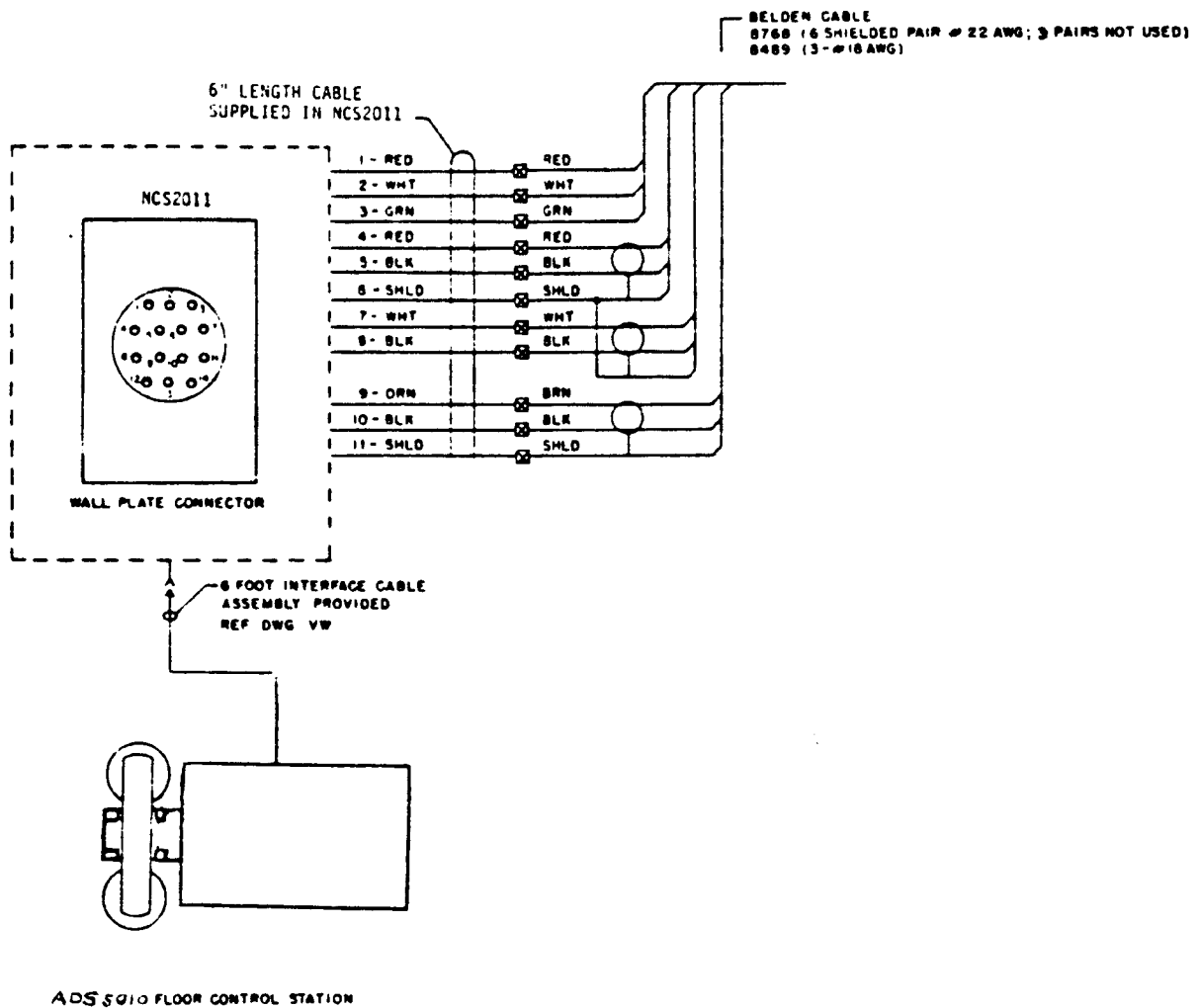
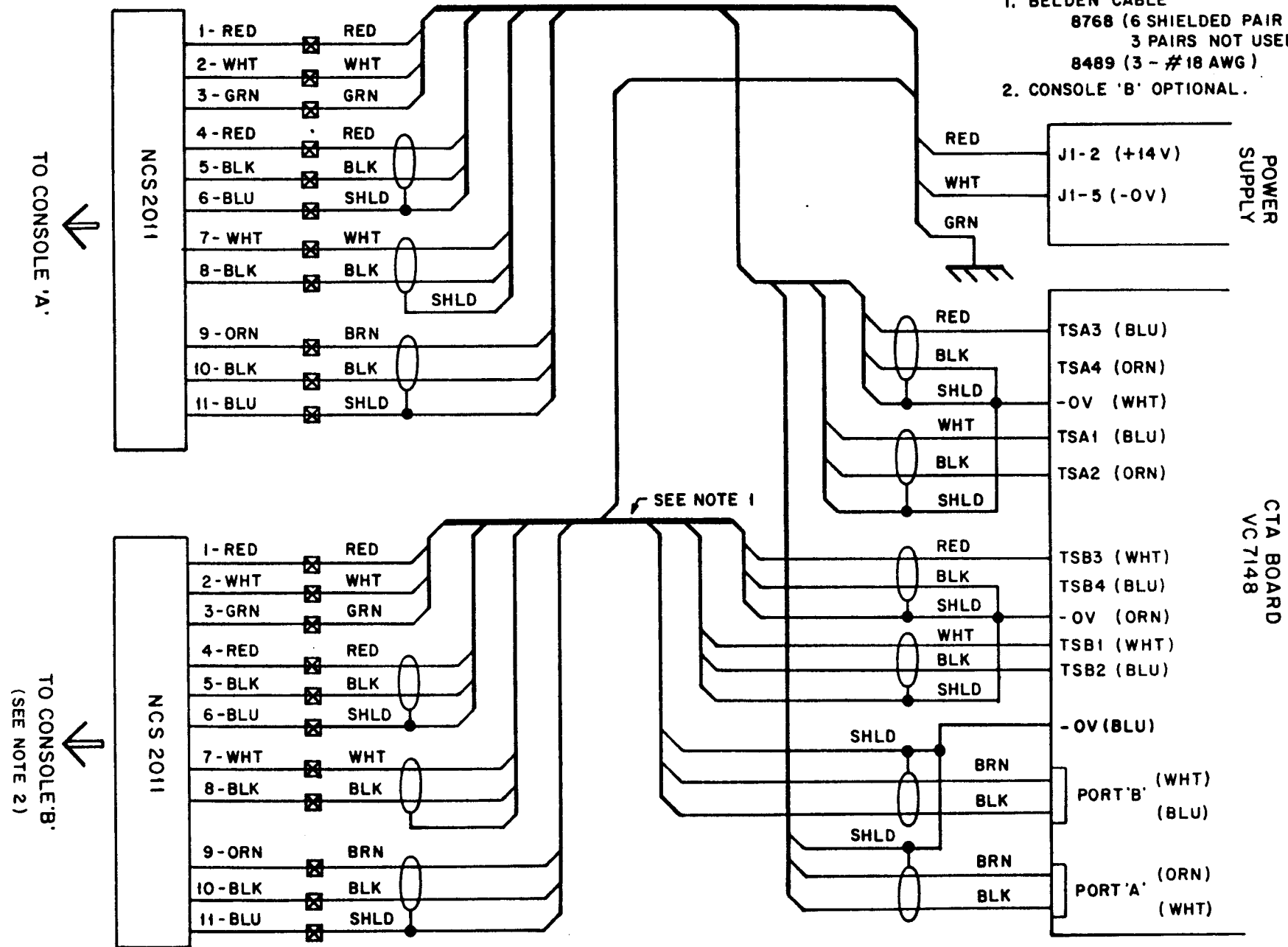


Figure 1. ADS5010 Administrative Station

NOTES:

- 1. BELDEN CABLE
8768 (6 SHIELDED PAIR # 22 AWG;
3 PAIRS NOT USED)
8489 (3 - # 18 AWG)
- 2. CONSOLE 'B' OPTIONAL.



TO CONSOLE 'A'

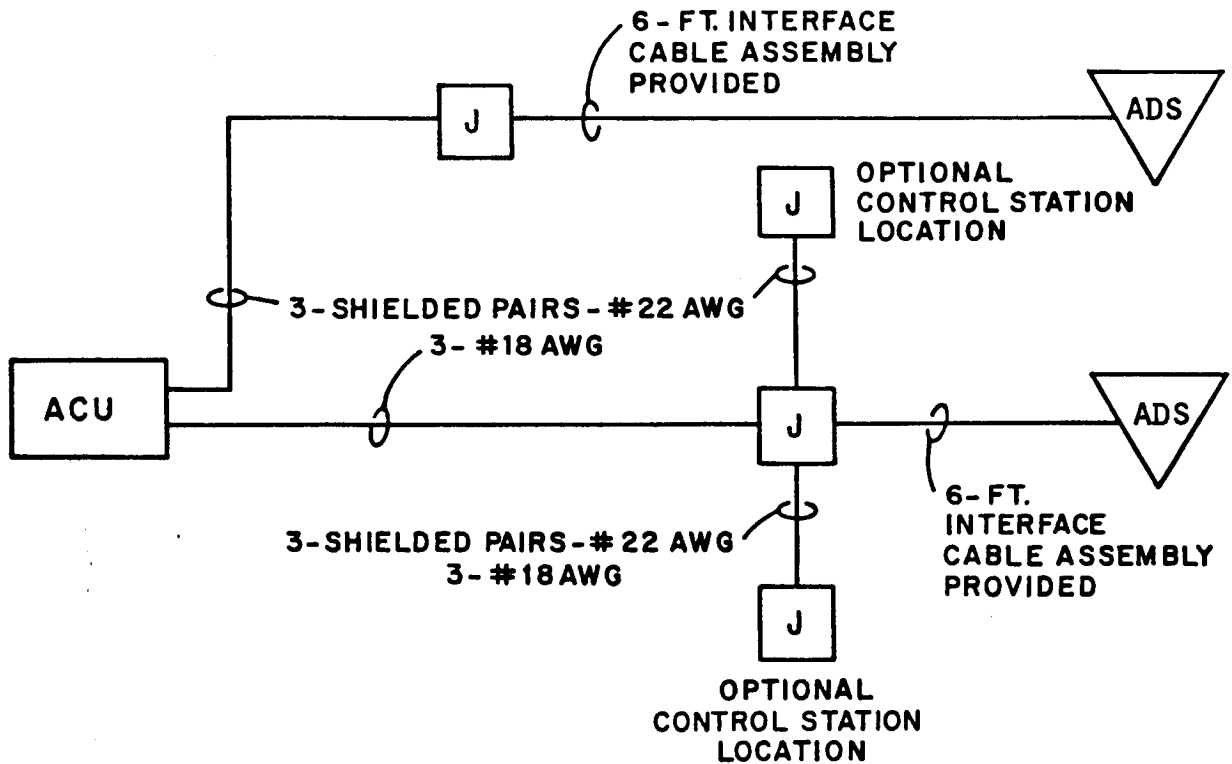
TO CONSOLE 'B'
(SEE NOTE 2)

POWER SUPPLY

CTA BOARD VC 7148

**RESPONDER SYSTEM 3000/TELECENTER 5000
CONSOLE TO ACU CONNECTION FOR SINGLE CTA**

**INTERCONNECTION OF
CONTROL STATIONS AND AREA
CONTROL UNIT
RISER DIAGRAM
KMO700 - A**



LEGEND



ADS5010 ADMINISTRATIVE STATION (INTERFACE CABLE AND WALL PLATE PROVIDED)



TC5000 AREA CONTROL UNIT



NCS2011 WALL PLATE

RECOMMENDED BACK BOX

RACO 245 4 11/16" SQUARE BOX WITH RACO 838 3/4" RAISED DEVICE COVER

NOTE: ONE NCS2011 IS PROVIDED WITH EACH ADS5010.

NOTE: A MAXIMUM OF TWO CONTROL STATIONS MAY BE CONNECTED TO ONE AREA CONTROL UNIT. FOR ANY GIVEN CONTROL STATION, PARALLEL JACKS MAY BE INSTALLED TO ALLOW SIMPLE RELOCATION OF THE STATION.

POWER CABLE GAUGE

FOR RUNS UP TO:	USE
200 FT.	#18 AWG
350 FT.	#16 AWG
550 FT.	#14 AWG
900 FT.	#12 AWG

RECOMMENDED CABLE SOURCE

CONDUCTORS	BELDEN CABLE NO.
3 SHIELDED PAIRS (#22 AWG)	8768
3- #18 AWG	8489