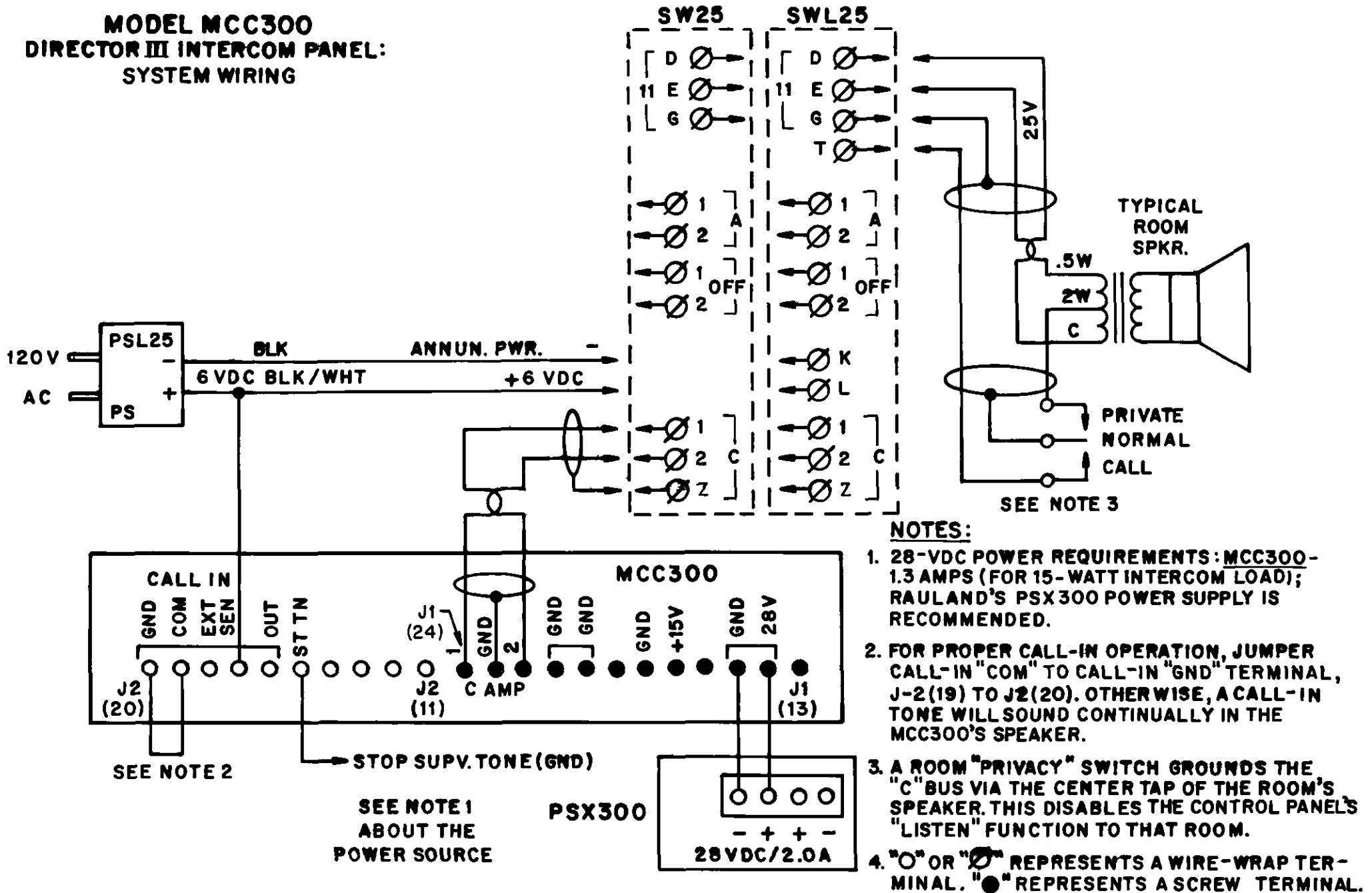


**MODEL MCC300  
DIRECTOR III INTERCOM PANEL:  
SYSTEM WIRING**



**NOTES:**

1. 28-VDC POWER REQUIREMENTS: MCC300-1.3 AMPS (FOR 15-WATT INTERCOM LOAD); RAULAND'S PSX300 POWER SUPPLY IS RECOMMENDED.
2. FOR PROPER CALL-IN OPERATION, JUMPER CALL-IN "COM" TO CALL-IN "GND" TERMINAL, J-2 (19) TO J2 (20). OTHERWISE, A CALL-IN TONE WILL SOUND CONTINUALLY IN THE MCC300'S SPEAKER.
3. A ROOM "PRIVACY" SWITCH GROUNDS THE "C" BUS VIA THE CENTER TAP OF THE ROOM'S SPEAKER. THIS DISABLES THE CONTROL PANEL'S "LISTEN" FUNCTION TO THAT ROOM.
4. "O" OR "Ø" REPRESENTS A WIRE-WRAP TERMINAL. "●" REPRESENTS A SCREW TERMINAL.