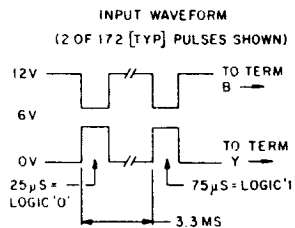
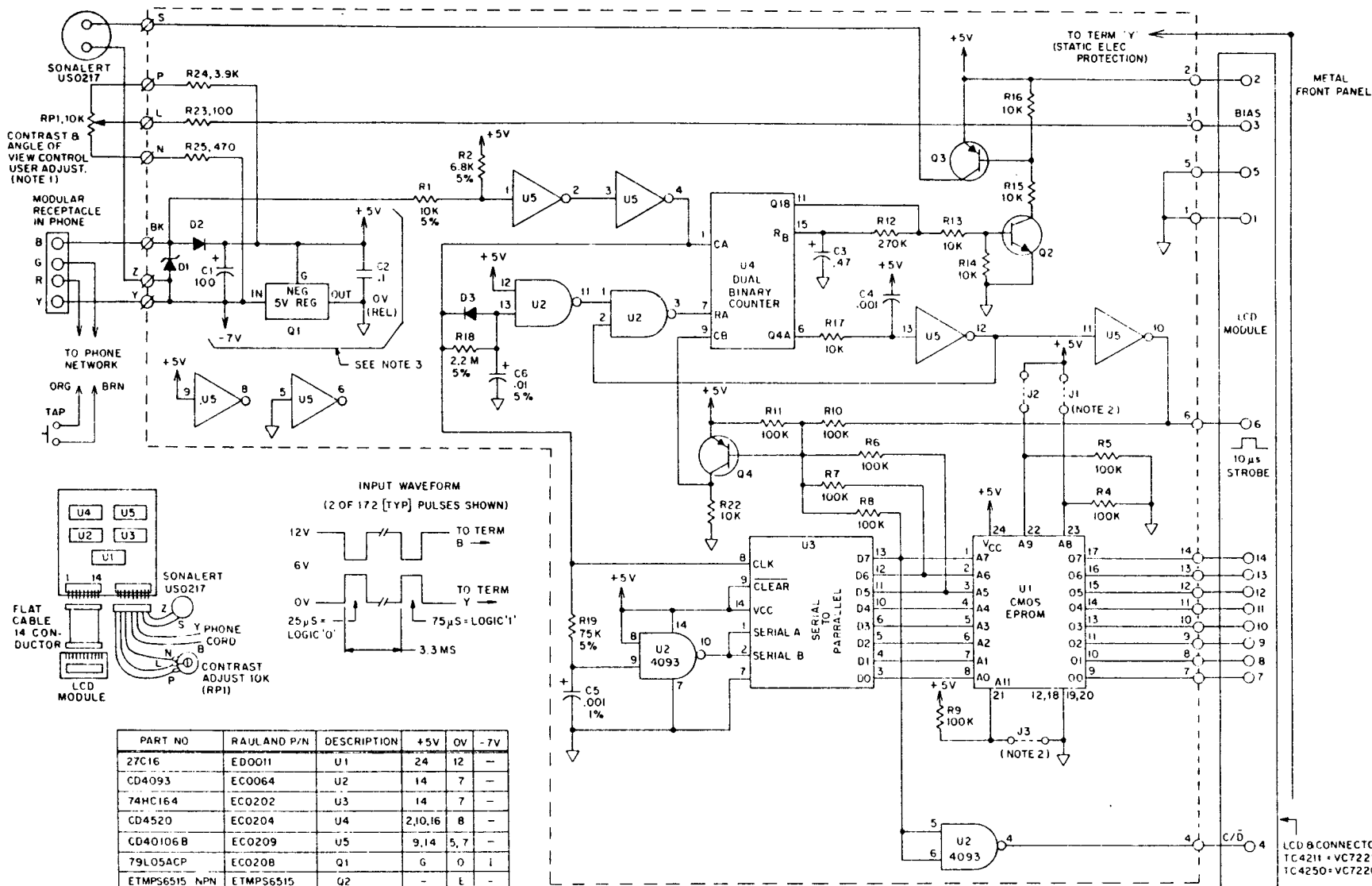


DWG NO	KC1487	C
DATE	1-14-86	
REV	CHANGE	
A	ADDED STATIC PROTECTION, 4-16-87	
B	MODEL TC4211 WAS TC4210 12-9-87	
C	SONALERT WAS US0143 ADDED OPTREX TO NOTE 2 9-1-88	



PART NO	RAULAND P/N	DESCRIPTION	+5V	0V	-7V
27C16	ED0011	U1	24	12	-
CD4093	EC0064	U2	14	7	-
74HC164	EC0202	U3	14	7	-
CD4520	EC0204	U4	2,10,16	8	-
CD40106B	EC0209	U5	9,14	5,7	-
79L05ACP	EC0208	Q1	G	0	I
ETMPS6515 NPN	ETMPS6515	Q2	-	E	-
ETMPS6517 PNP	ETMPS6517	Q3, Q4	-	E	-
1N4744A	JR0090-17	D1 (15V)			
1N914	1N914B	D2, D3			

NOTES

- RPI WAS ON PCB PRIOR TO AC2780, SEE KC1464
- JUMPER OPTIONS: J3 NOT USED WHEN U1 IS A 27C16; J3 USED WHEN U1 IS A 27C32
J1 & J2 NOT USED WHEN LCD MODULE IS FEMO OR OPTREX, J1 USED WHEN LCD MODULE IS SEIKO
J2 USED WHEN LCD MODULE IS EPSON OR HITACHI.
- VOLTAGES ARE FOR REF ONLY. BALANCED LINE DO NOT CONNECT TO GROUND OR GROUNDED INSTRUMENTS

DISPLAY ASSEMBLY FOR
MODELS TC4211, TC4250(*1)
RAULAND BORG CORP.

MADE IN U.S.A.
KC1487 C