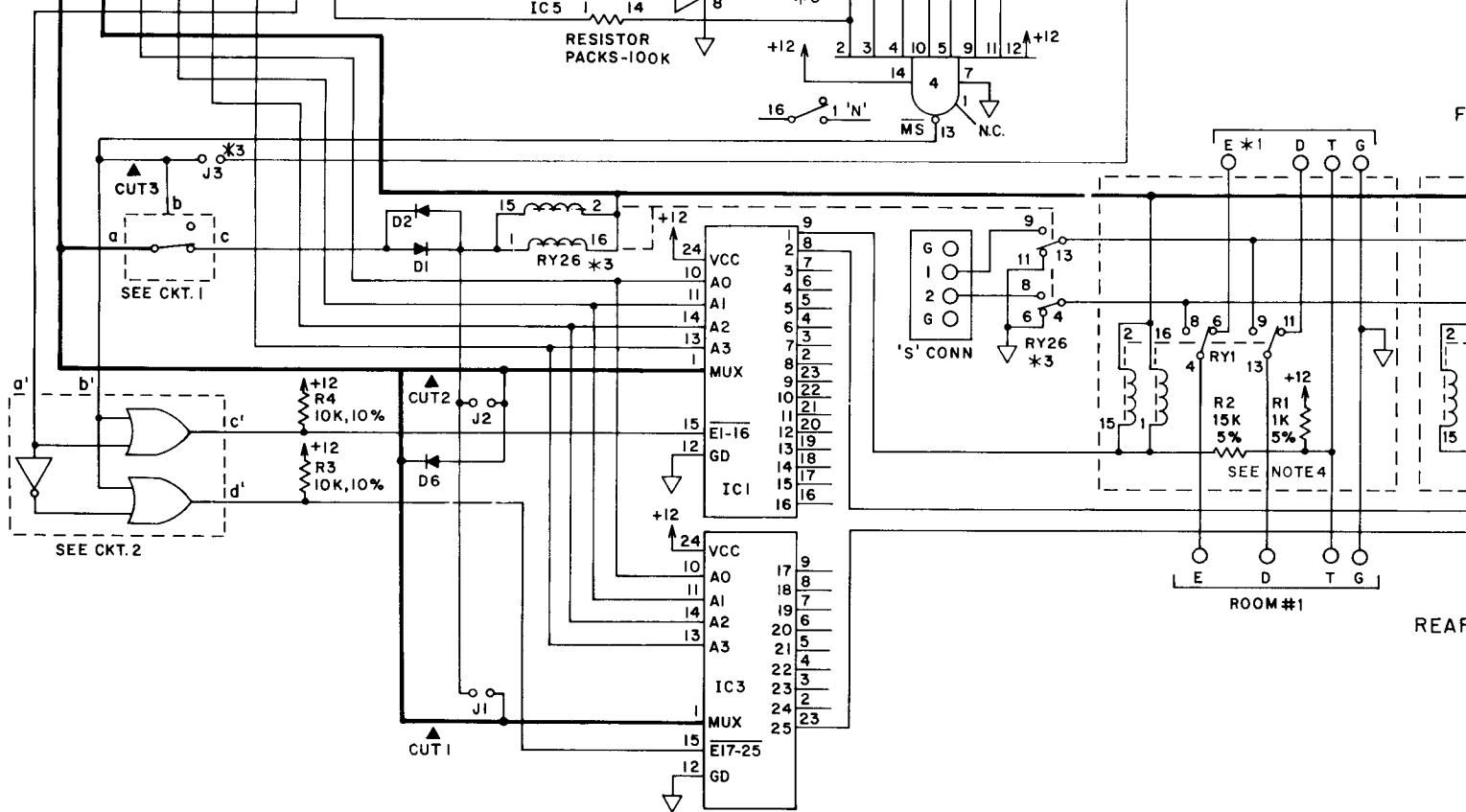
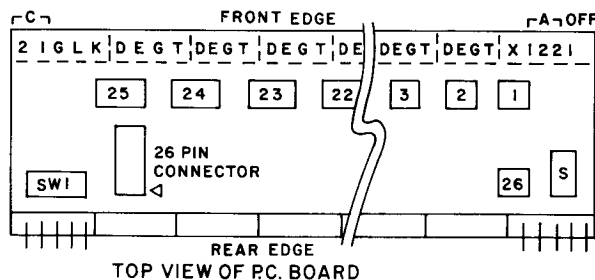
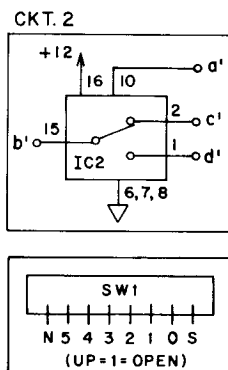
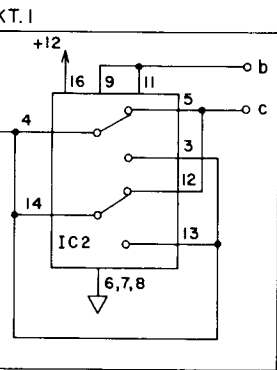


COMPONENT IDENTIFICATION	
COMPONENT	T
IC1 AND IC3	4
IC2	4
IC4	4
IC5 AND IC6 RES. 7X100K	4
IC7	4
D1-D6	1N
RELAYS	2X1



REAR

ROOM #1



COMPONENT IDENTIFICATION		
COMPONENT	TYPE	P/N
IC1 AND IC3	4067 *	EC0213
IC2	4053	EC0071
IC4	4069	EC0144
IC5 AND IC6 RES. 7X100K		R00010
IC7	4049	EC0042
D1-D6	1N914B	1N914B
RELAYS	2X1.6KΩ	D0254

*MOT OR SIGNETICS

NOTES:

1. TC4120 (SCC25) USES PIN ASSEMBLIES ON FRONT EDGE, SAME AS ON REAR EDGE.
2. OPEN SWITCH TO SET THE CORRESPONDING BIT OF THE MODULE ADDRESS.

3. TO USE AS A UTILITY RELAY BOARD:

- REMOVE RY26 & JUMPER 'S' CONN TO 'S' BUS (RY9-13 & 8-4).
- MAKE TRACE CUTS C1, C2, C3.
- ADD JUMPERS J1, J2, J3.
- SET SW1 SAME AS THE ASSOCIATED SPEAKER CONTROL BOARD.
- FOR BOARD WITH ISSUE "-A" OR "-B", INSTALL A 1N914 IN THE TWO PADS MARKED "CUT 2" WITH THE CATHODE TO THE LEFT (REAR VIEW).

RELAYS WILL PULL IN FOR INTERCOM, T.Z., & ZONE PAGE, BUT NOT FOR ALL CALL, EMERGENCY, OR MTG. THIS MODIFICATION WORKS WITH ISSUE "A" & LATER PC BOARDS.

4. IN TC4131 (SC25 WITHOUT CALL-IN):

- COMPONENTS R1 (1K), R2 (15K) FOR ROOM #1-25 ARE ELIMINATED.

DWG. NO.		KC1463	E
DATE		8-9-84	
ISSUE	CHANGE		
A	ADDED TYPE TO RELAYS. CHANGED NOTES 1 & 2. ADDED DETAIL. 1-7-86		
B	UTILITY RELAY BOARD CHANGES 9-26-86		
C	ADDED D6. ADDED TO NOTE 3. 5-4-88		
D	ADDED SC25 & SCC25 TO TITLE. IDENTIFIED PARTS OF SW1. ADDED 16-1-N. ADDED LAYOUT OF SW1. 9-16-88		
E	ADDED NOTE 4 & MODEL TC4131. 2-12-90		

