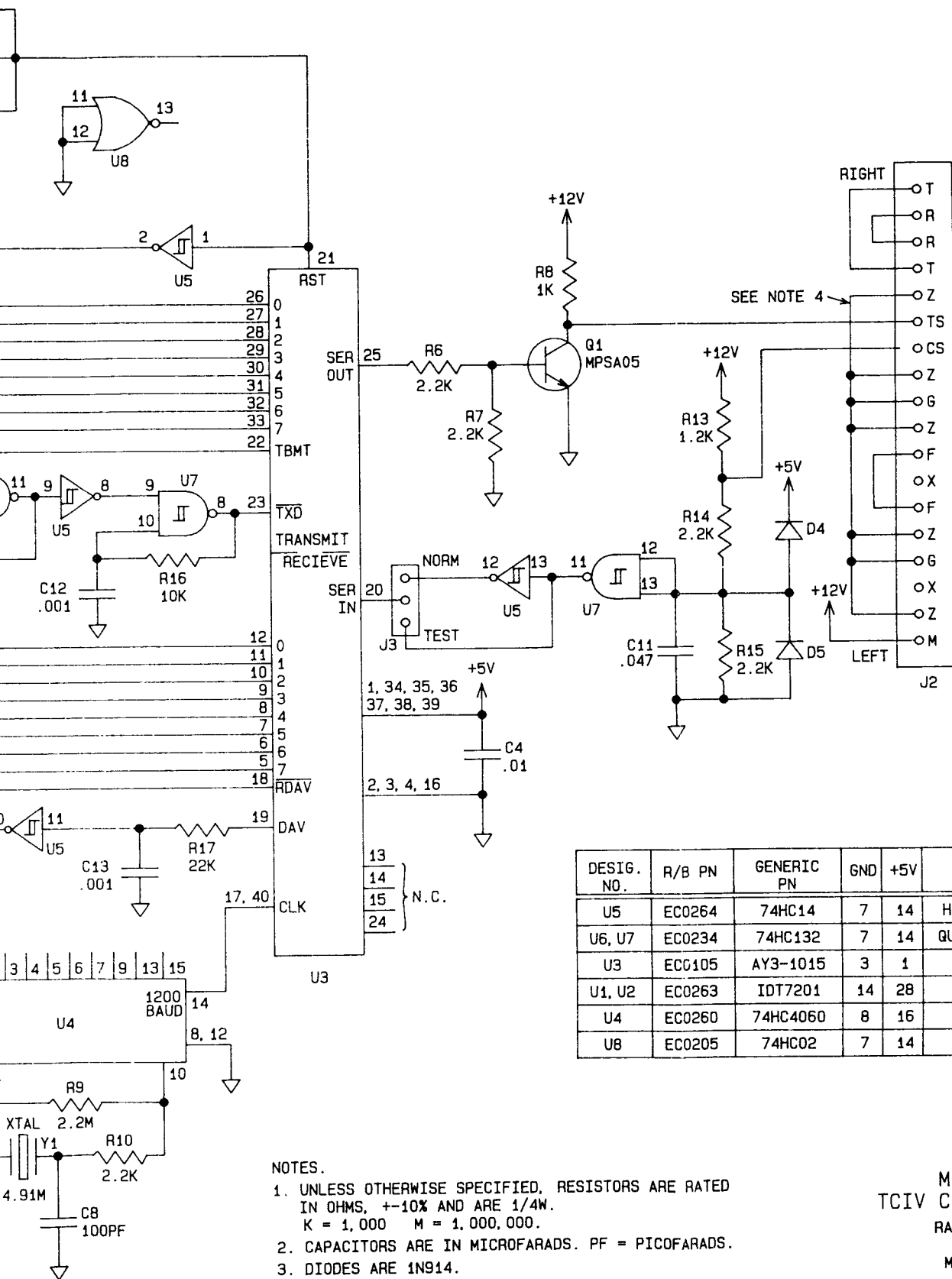






DWG NO.		KC1551	E
ISSUE	CHANGE		
A	ADDED R17 & R18 SAM 2-18-88		
B	ADDED NOTE 4; C7 WAS 30PF, C8 WAS 82PF. I.A. 3-3-88		
C	MOVED D4 AND D5 FROM CS LINE, D4 WAS TO +12V. AAS 3-10-88		
D	Q1 WAS MPS6515. PCR3990. 09-29-88 JP		
E	ADDED D6 & C13 C.W. 5-12-89		



DESIG. NO.	R/B PN	GENERIC PN	GND	+5V	FUNCTION
U5	EC0264	74HC14	7	14	HEX SCHMIDT INV
U6, U7	EC0234	74HC132	7	14	QUAD SCHMIDT NAND
U3	EC0105	AY3-1015	3	1	UART
U1, U2	EC0263	IDT7201	14	28	FIFO
U4	EC0260	74HC4060	8	16	BIN COUNTER
U8	EC0205	74HC02	7	14	QUAD NOR

- NOTES.
- UNLESS OTHERWISE SPECIFIED, RESISTORS ARE RATED IN OHMS, +-10% AND ARE 1/4W.  
K = 1,000 M = 1,000,000.
  - CAPACITORS ARE IN MICROFARADS. PF = PICOFARADS.
  - DIODES ARE 1N914.
  - Z AND G TERMINALS ISOLATED FROM INTERNAL DIGITAL GROUND.

MODEL TC4420  
 TCIV CONSOLE INTERFACE  
 RAULAND-BORG CORP.  
 CHICAGO, IL.  
 MADE IN U.S.A.  
 KC1551 - E