

Accurate in RF fields!

B&K-PRECISION portable and lab DMM's

For field or lab applications, your DMM should stay accurate—even in the presence of strong RF fields. Most DMMs can't pass this test, but the B&K-PRECISION 2830 lab DMM and the 2810 portable DMM easily meet the challenge.

In addition, both of these instruments feature 3½ digit readout, 0.5% DC accuracy, auto-zeroing/auto polarity, selectable high-/low power ohms and really complete overload protection. Special features of each include:



Model 2830—\$337.95

- AC operation; battery pack optional
- 100 μ V, 100nA, .01 Ω resolution
- Reads to 20 amps
- Push button range and function selection
- 0.5" high efficiency LED display

Model 2810—\$170.95

- Battery operation standard
- 100 μ V, .01 Ω resolution
- AC charger optional
- Bright .3" LED display



Available for immediate delivery at your local B&K-PRECISION distributor

B&K PRECISION DYNASCAN CORPORATION

ATLAS ELECTRONICS LIMITED
50 Wingold Avenue
Toronto, Ontario M6B 1P7
Tel: 416-789-7761 Telex 065-24140

Circle No. 10 on Reader Service Card.

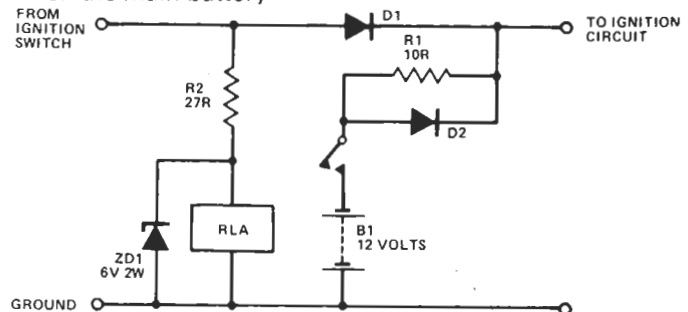
COLUMN

Cold Start Ignition

M. C. Polgreen

The heart of the circuit is a small auxiliary battery with a capacity of one or two amp hours. If a nickel cadmium battery is used then R1 should be increased in value so that the maximum trickle charge current is not exceeded. R2, ZD1, and RLA connect B1 into circuit when the ignition is switched on, thereby reducing the amount of additional wiring. Any small 6 volt relay with a contact rating of 5 amps will do, and ZD1, R2 ensure that the relay will remain energised when the starter motor causes the main battery voltage to drop. When the main battery

voltage falls, D1 becomes reverse biased and D2 forward biased, therefore allowing B1 to supply current to the ignition circuit. When the engine is running, the main battery voltage rises, forward biases D1 and reverse biases D2. Therefore the ignition current comes from the main battery, and B1 is trickle charged via R1. The two diodes D1, D2 should be rated at 50 V, 10 A. ●



GLADSTONE ELECTRONICS



sinclair PDM35 3 1/2 digit multimeter

\$99.50

- * 6 functions, 26 ranges * operates from 9V battery
- * 10 day money-back trial offer

SINCLAIR TEST EQUIPMENT IN STOCK:

DM235. 3½ digit multimeter . . .	\$179.95
DM350. 3½ digit multimeter, accuracy 0.1%, 34 ranges.	279.95
DM450. 4½ digit multimeter, accuracy 0.05%, 34 ranges.	379.95
PFM200 digital frequency meter	179.95
NEW SC110 low power portable oscilloscope. 2" CRT, 10 MHz bandwidth. Only	499.00



ILP Audio Amplifiers

*5-year warranty.

HY50 30 watts RMS	\$31.95
HY120 60 watts RMS	\$62.95
HY200 120 watts RMS.	\$87.50
HY400 240 watts RMS (4ohms)	\$110.00
HY5 mono preamplifier	\$24.95

NEW GLADSTONE STORE, now open at 2936 EGLINTON AVE. E., Scarborough, Ont. Telephone 438-3999



PHILIPS
DeFOREST

GLADSTONE'S SPEAKERKITS Quality Loudspeakers

AD15240/W8 15" Woofer (150W)	\$74.95
AD12240/W8 12" Woofer (120W)	\$74.95
AD10240/W8 10" Woofer (120W)	\$69.95
AD0211/SQ8 (or 4) 5" dome mid	\$32.95
AD5060/SQ8 (or 8) 5" cone mid	\$21.95
AD0162/63/T4,8, or 15. dome tweeter	\$14.95
AD3WXSP. 200 watt 3 way xover	\$42.50
AD3WXA 60 watt 3-way crossover	\$17.95
AD2WXA 60 watt 2-way crossover	\$10.25

FREE CABINET PLANS



PAIA
\$129.00

GNOME MICRO- SYNTHESIZER

Electronic music mini-synthesizer. Gladstone's carry the complete PAIA line of synthesizers and computer products.

MAIL ORDER ADDRESS and MAIN STORE:
1736 Avenue Rd., Toronto, Ont., M5M 3Y7
Phone order line: (416)787 1448.
Use your Charex Visa or Mastercharge. Ont. residents add 7% P.S.T.
Both locations open Tues-Sat 9:30-6, till 9 Thurs and Fri.

Circle No. 28 on Reader Service Card.