

# L - WIRING DIAGRAMS

## Article Text

1991 Toyota MR2

For Electronics & Computers El Camino Real Santa Clara CA 95051

Copyright © 1997 Mitchell International

Wednesday, November 25, 1998 03:32AM

### ARTICLE BEGINNING

1991 ENGINE PERFORMANCE  
Toyota Wiring Diagrams

Camry, Celica, Corolla, Cressida,  
Land Cruiser, MR2, Pickup, Previa,  
Supra, Tercel, 4Runner

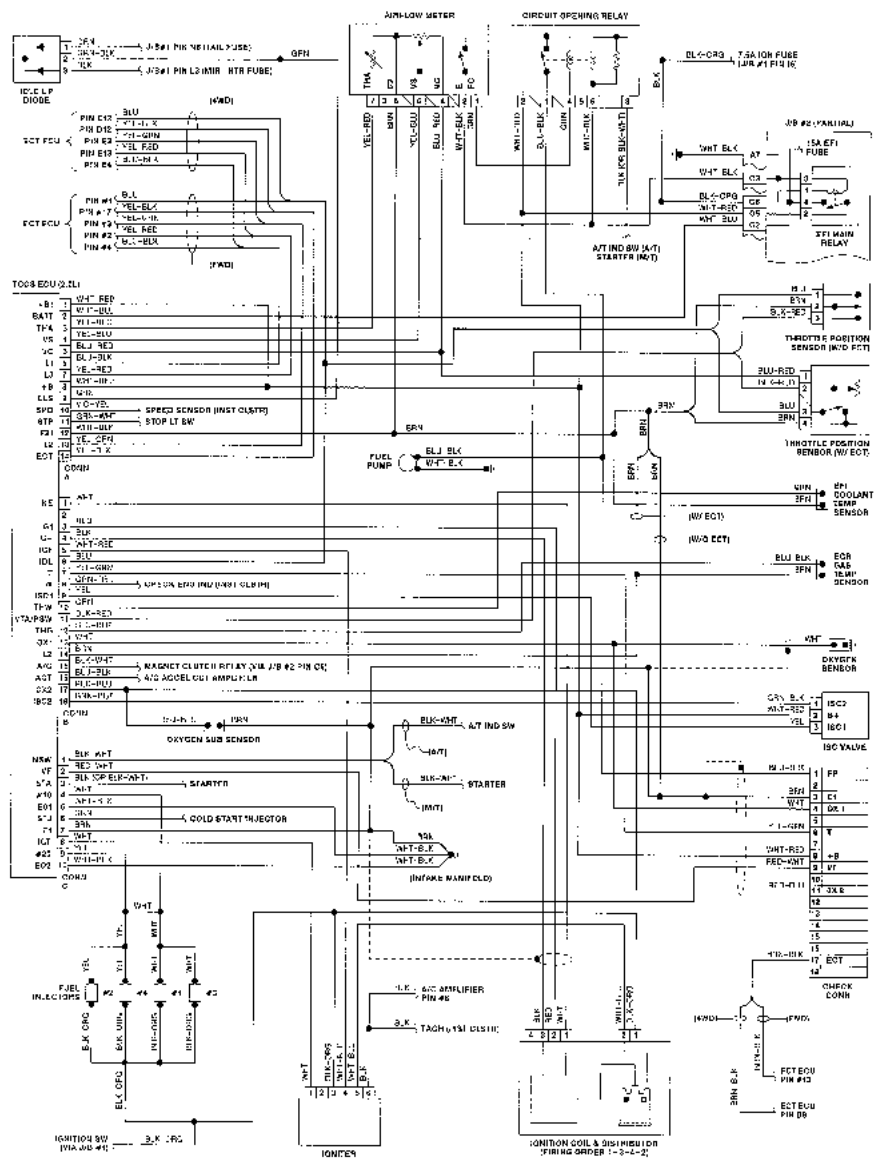


Fig. 1: Wiring Diagram (Camry 2.0L)

# L - WIRING DIAGRAMS

## Article Text (p. 2)

1991 Toyota MR2

For Electronics & Computers El Camino Real Santa Clara CA 95051

Copyright © 1997 Mitchell International

Wednesday, November 25, 1998 03:32AM

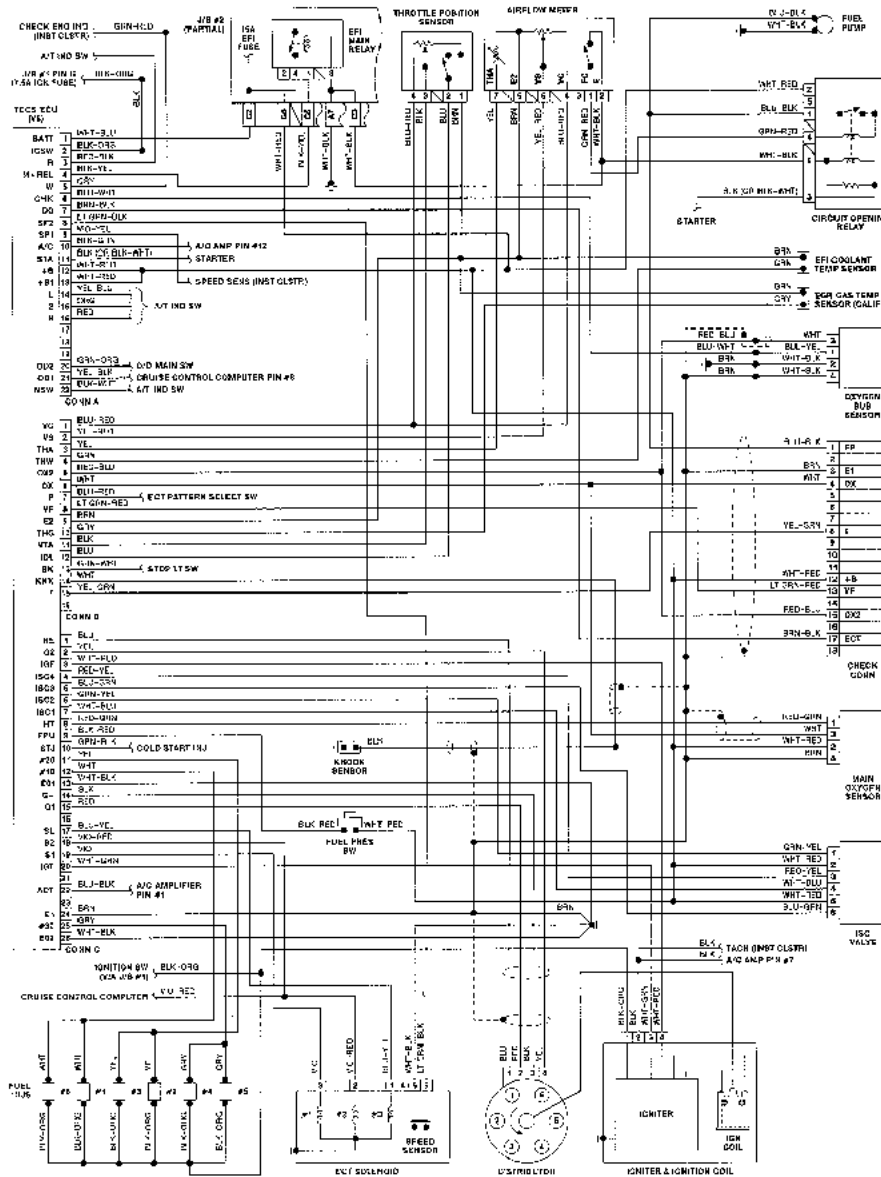


Fig. 2: Wiring Diagram (Camry 2.5L)

# L - WIRING DIAGRAMS

## Article Text (p. 3)

1991 Toyota MR2

For Electronics & Computers El Camino Real Santa Clara CA 95051

Copyright © 1997 Mitchell International

Wednesday, November 25, 1998 03:32AM

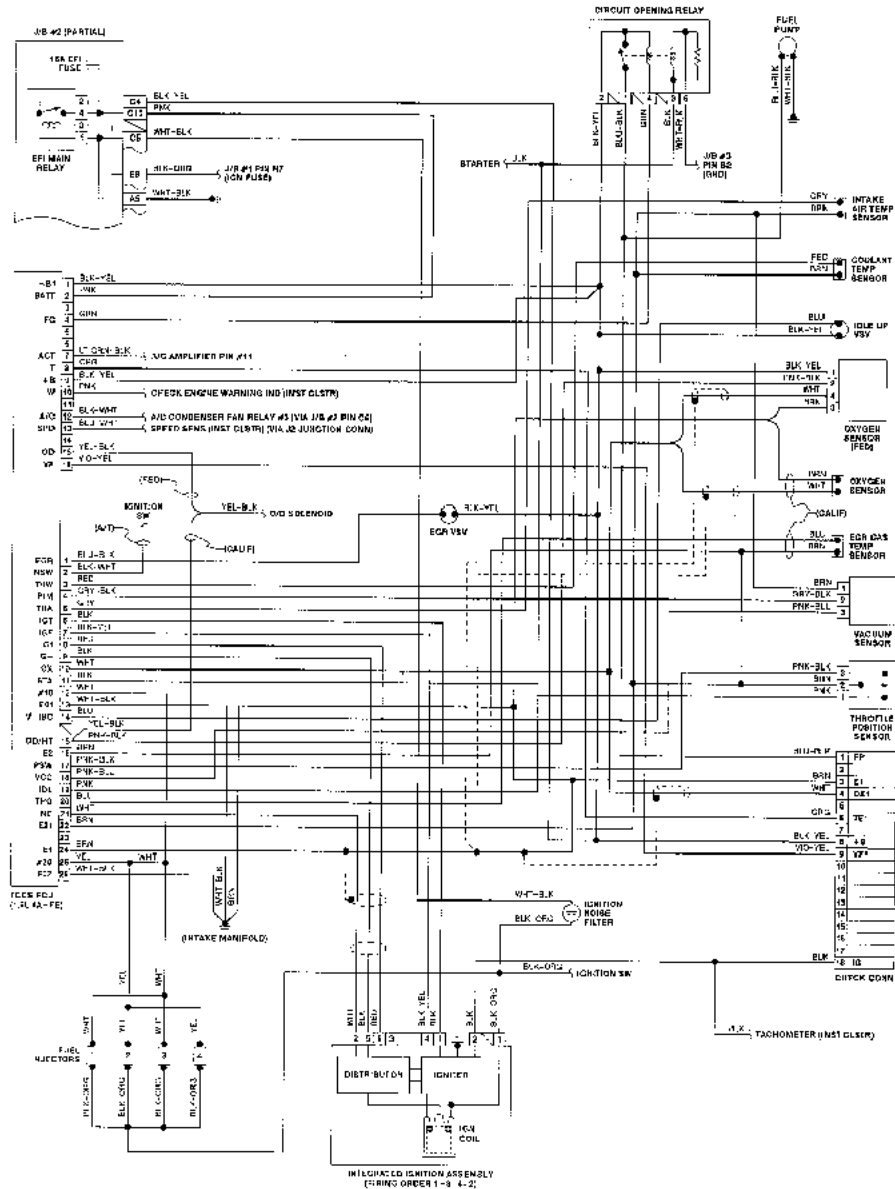


Fig. 3: Wiring Diagram (Celica 1.6L)

# L - WIRING DIAGRAMS

## Article Text (p. 4)

1991 Toyota MR2

For Electronics & Computers El Camino Real Santa Clara CA 95051

Copyright © 1997 Mitchell International

Wednesday, November 25, 1998 03:33AM

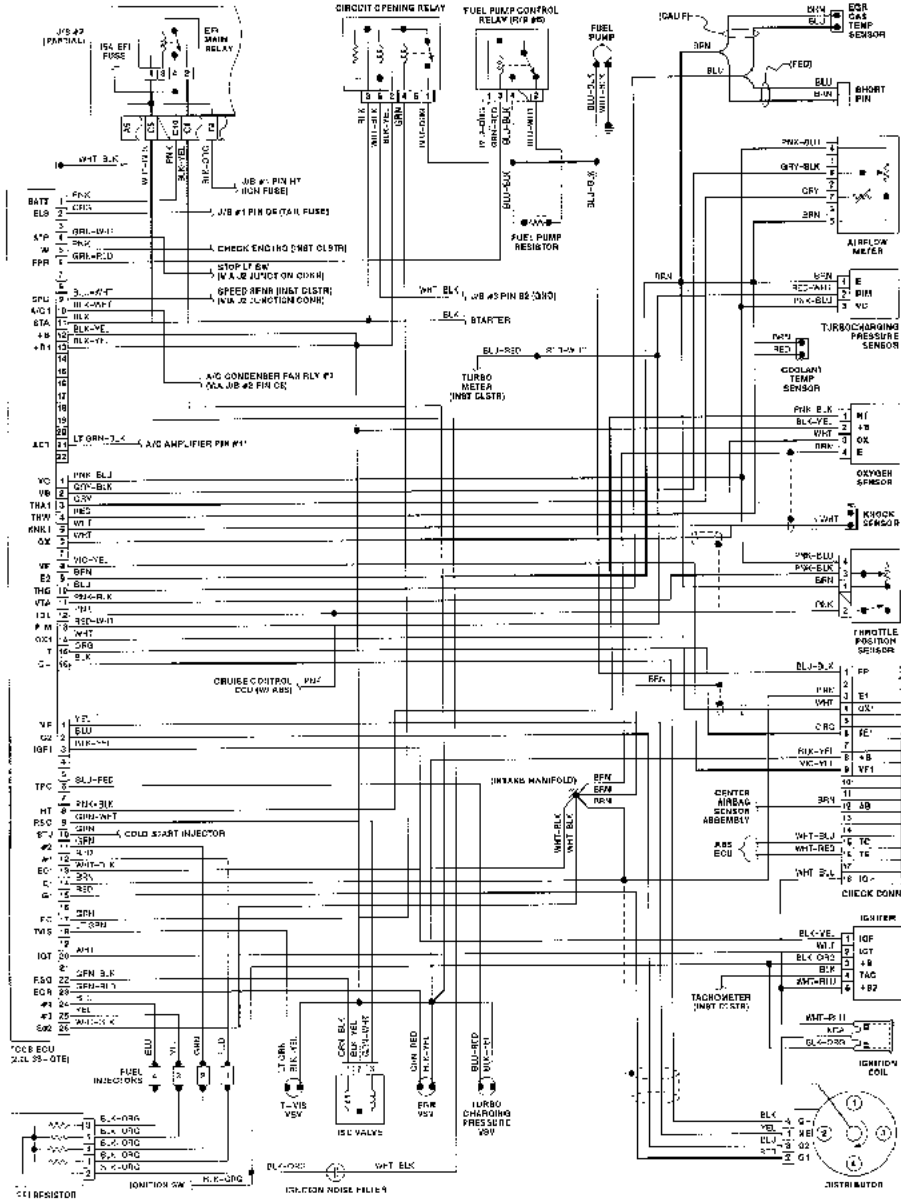


Fig. 4: Wiring Diagram (Celica Turbo 2.0L)

# L - WIRING DIAGRAMS

## Article Text (p. 5)

1991 Toyota MR2

For Electronics & Computers El Camino Real Santa Clara CA 95051

Copyright © 1997 Mitchell International

Wednesday, November 25, 1998 03:33AM

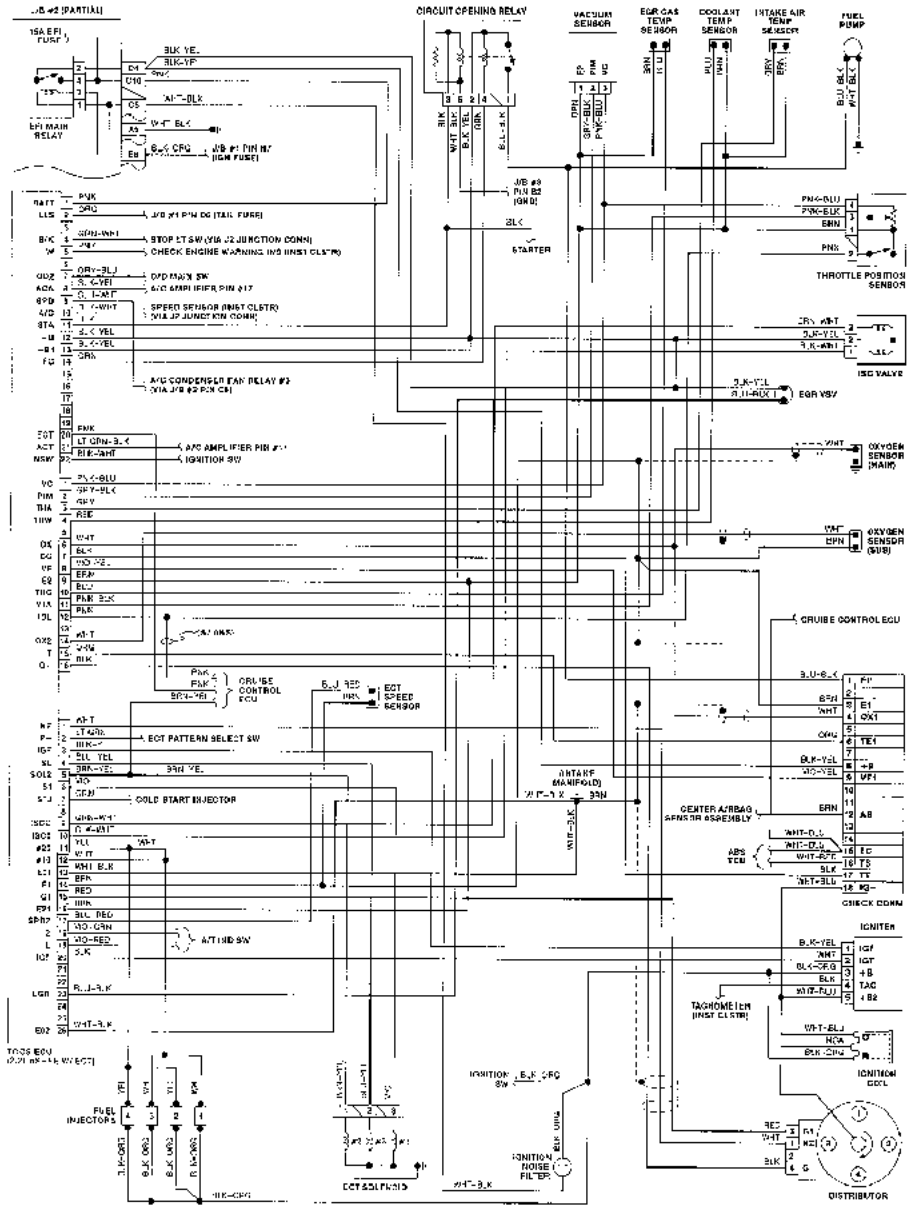


Fig. 5: Wiring Diagram (Celica 2.2L With ECT)

# L - WIRING DIAGRAMS

## Article Text (p. 6)

1991 Toyota MR2

For Electronics & Computers El Camino Real Santa Clara CA 95051

Copyright © 1997 Mitchell International

Wednesday, November 25, 1998 03:33AM

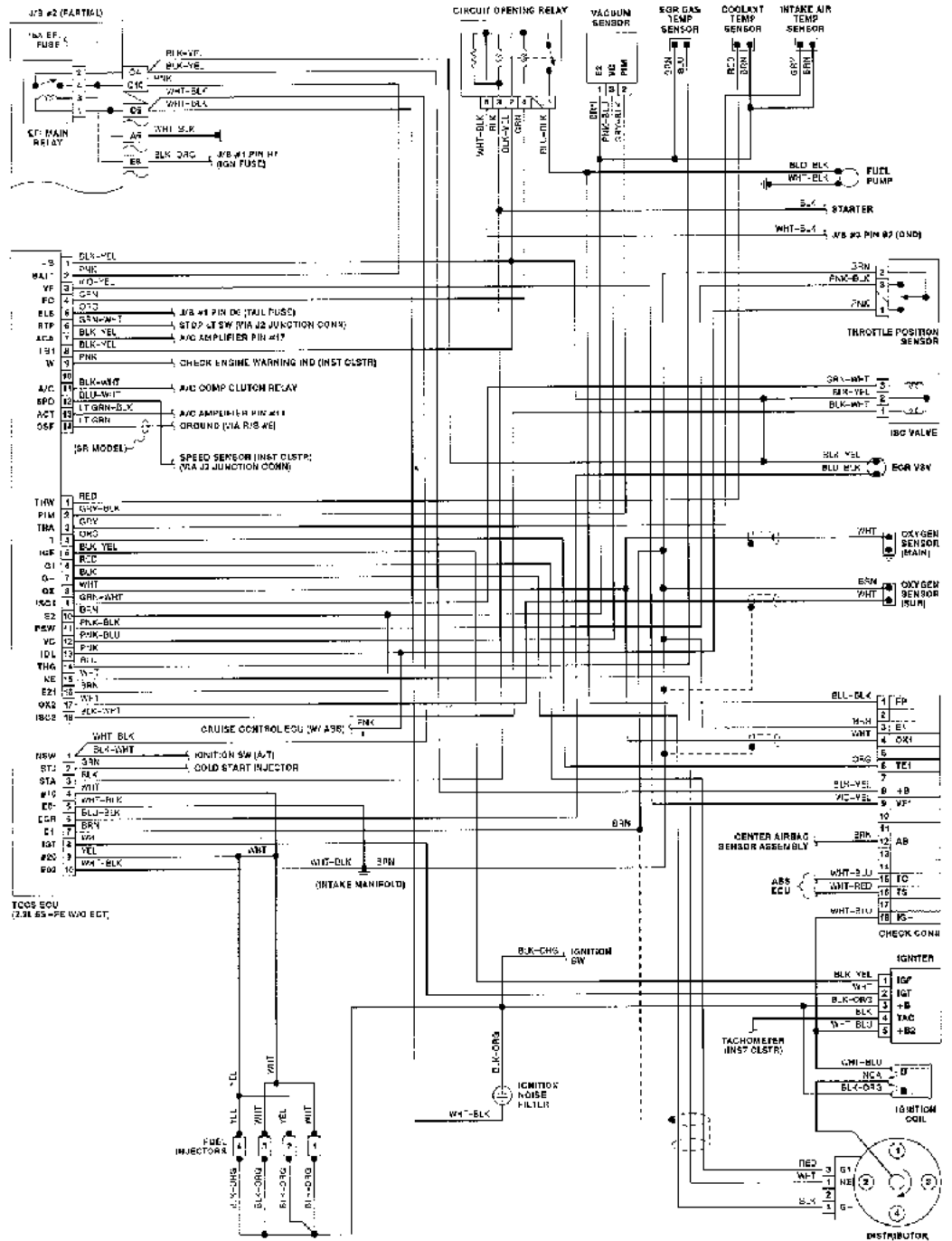


Fig. 6: Wiring Diagram (Celica 2.2L Without ECT)

# L - WIRING DIAGRAMS

## Article Text (p. 7)

1991 Toyota MR2

For Electronics & Computers El Camino Real Santa Clara CA 95051

Copyright © 1997 Mitchell International

Wednesday, November 25, 1998 03:33AM

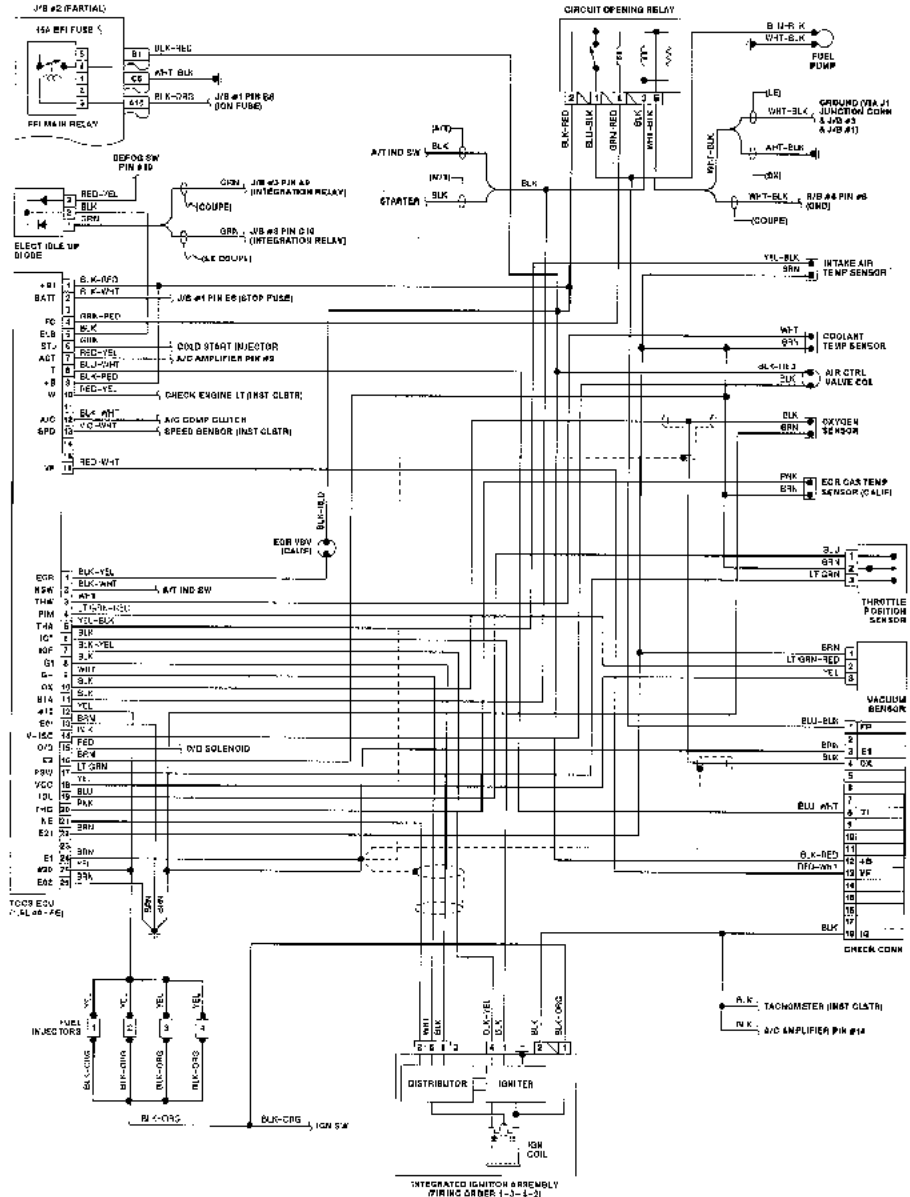


Fig. 7: Wiring Diagram (Corolla 1.6L 4A-FE)

# L - WIRING DIAGRAMS

## Article Text (p. 8)

1991 Toyota MR2

For Electronics & Computers El Camino Real Santa Clara CA 95051

Copyright © 1997 Mitchell International

Wednesday, November 25, 1998 03:33AM

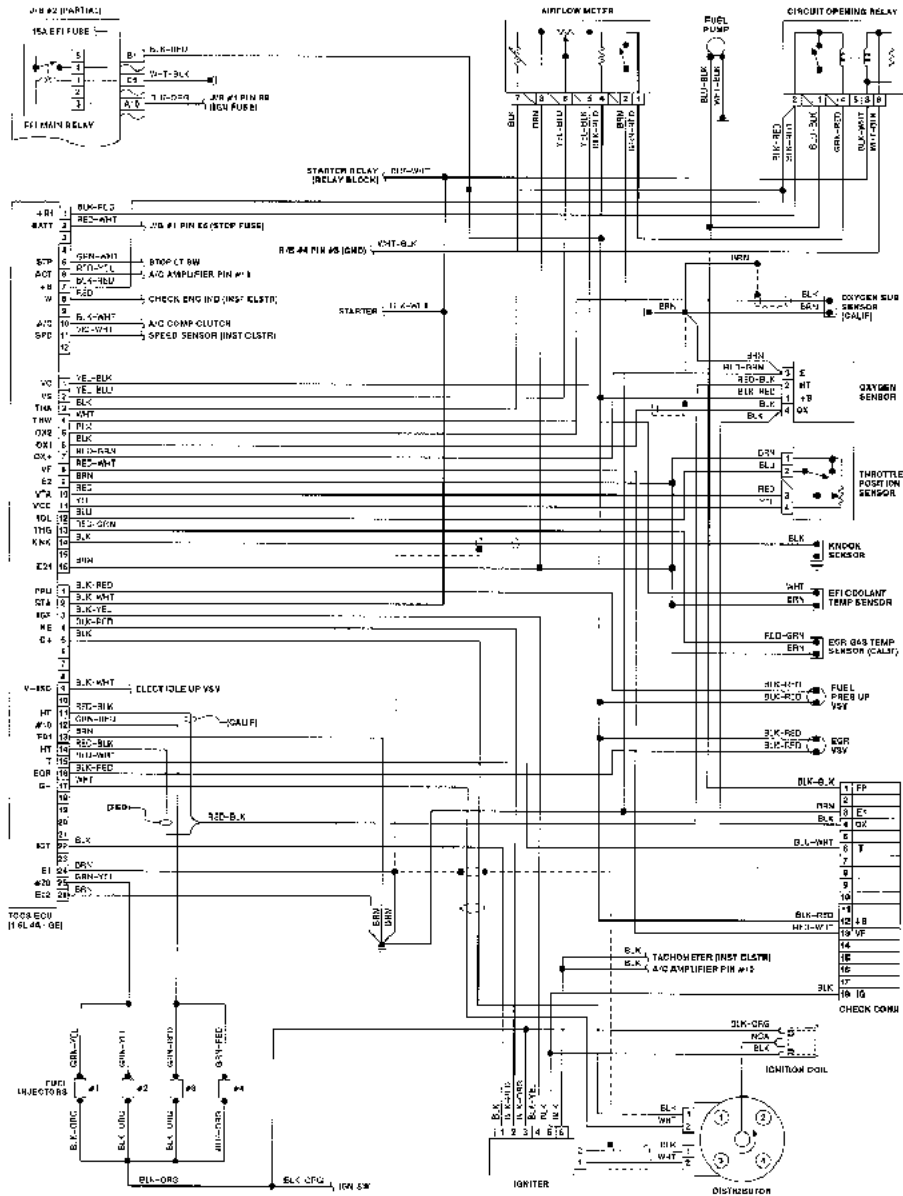


Fig. 8: Wiring Diagram (Corolla 1.6L 4A-GE)



# L - WIRING DIAGRAMS

## Article Text (p. 9)

1991 Toyota MR2

For Electronics & Computers El Camino Real Santa Clara CA 95051

Copyright © 1997 Mitchell International

Wednesday, November 25, 1998 03:33AM

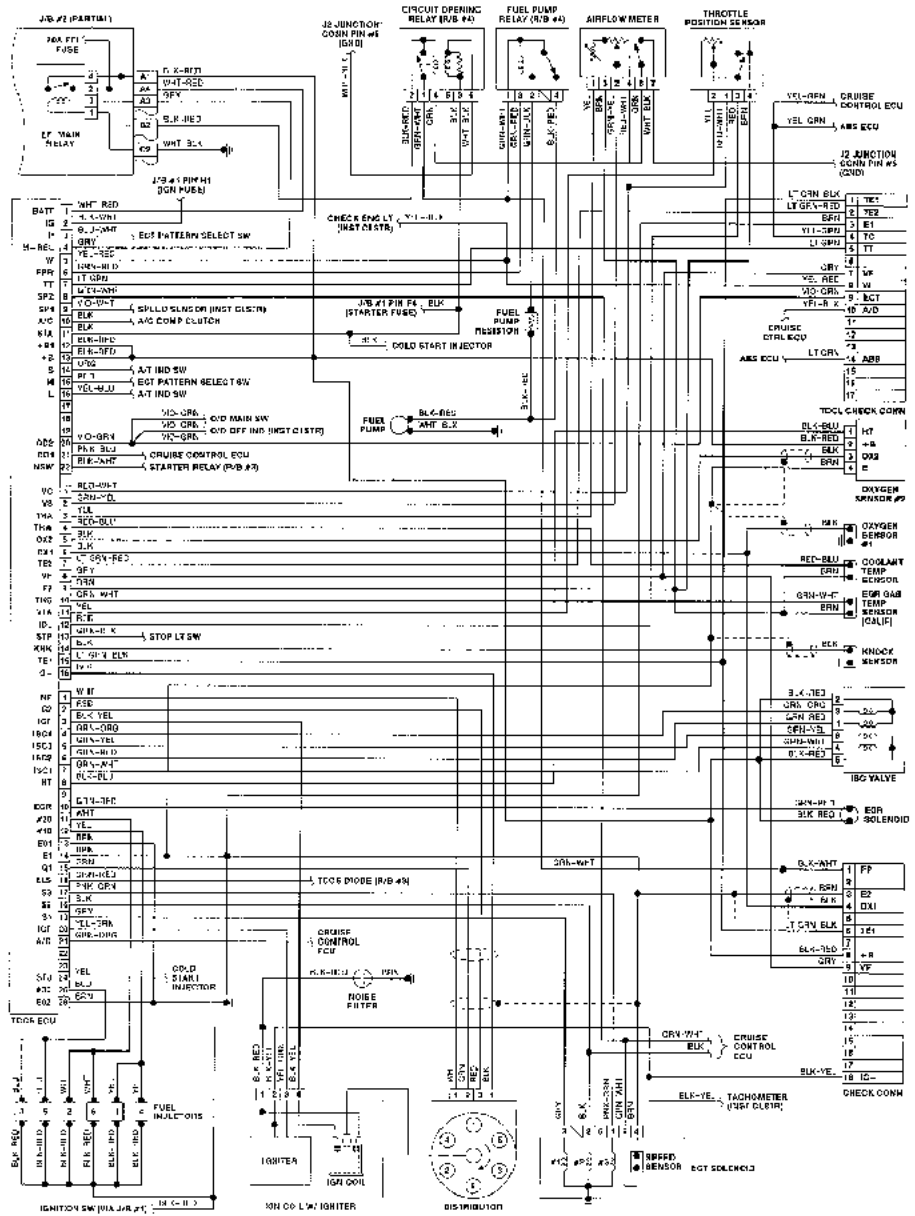


Fig. 9: Wiring Diagram (Cressida 3.0L)

# L - WIRING DIAGRAMS

## Article Text (p. 10)

1991 Toyota MR2

For Electronics & Computers El Camino Real Santa Clara CA 95051

Copyright © 1997 Mitchell International

Wednesday, November 25, 1998 03:33AM

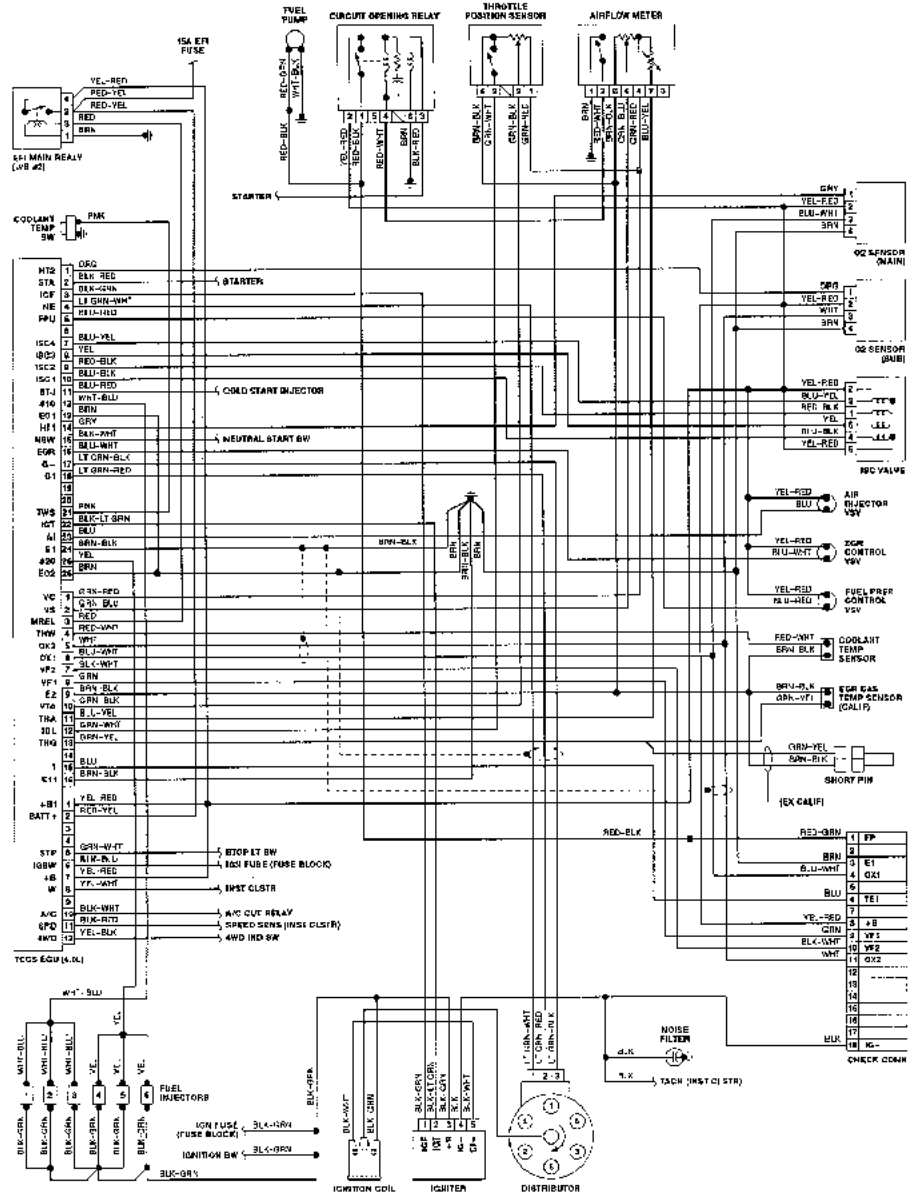


Fig. 10: Wiring Diagram (Land Cruiser 4.0L)

# L - WIRING DIAGRAMS

## Article Text (p. 11)

1991 Toyota MR2

For Electronics & Computers El Camino Real Santa Clara CA 95051

Copyright © 1997 Mitchell International

Wednesday, November 25, 1998 03:33AM

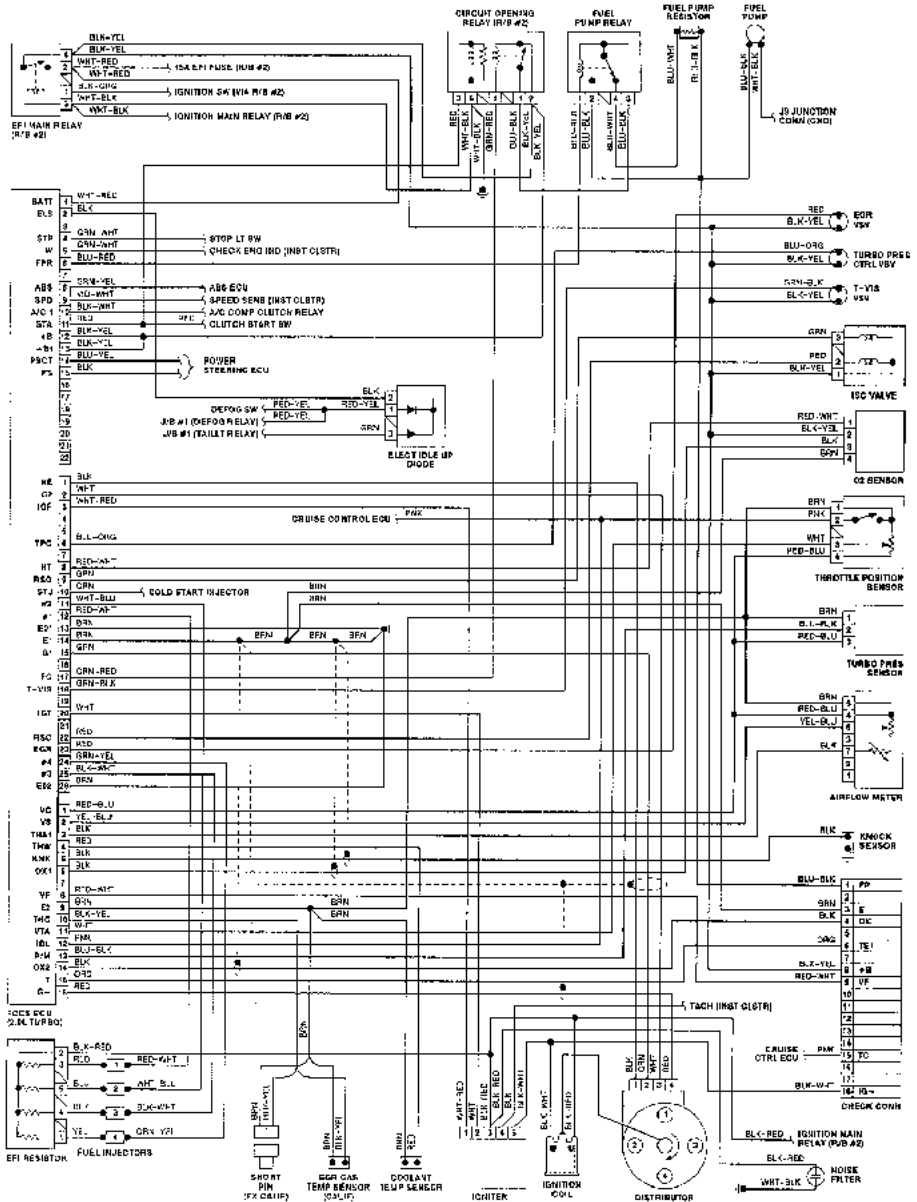


Fig. 11: Wiring Diagram (MR2 2.0L Turbo)

# L - WIRING DIAGRAMS

## Article Text (p. 12)

1991 Toyota MR2

For Electronics & Computers El Camino Real Santa Clara CA 95051

Copyright © 1997 Mitchell International

Wednesday, November 25, 1998 03:33AM

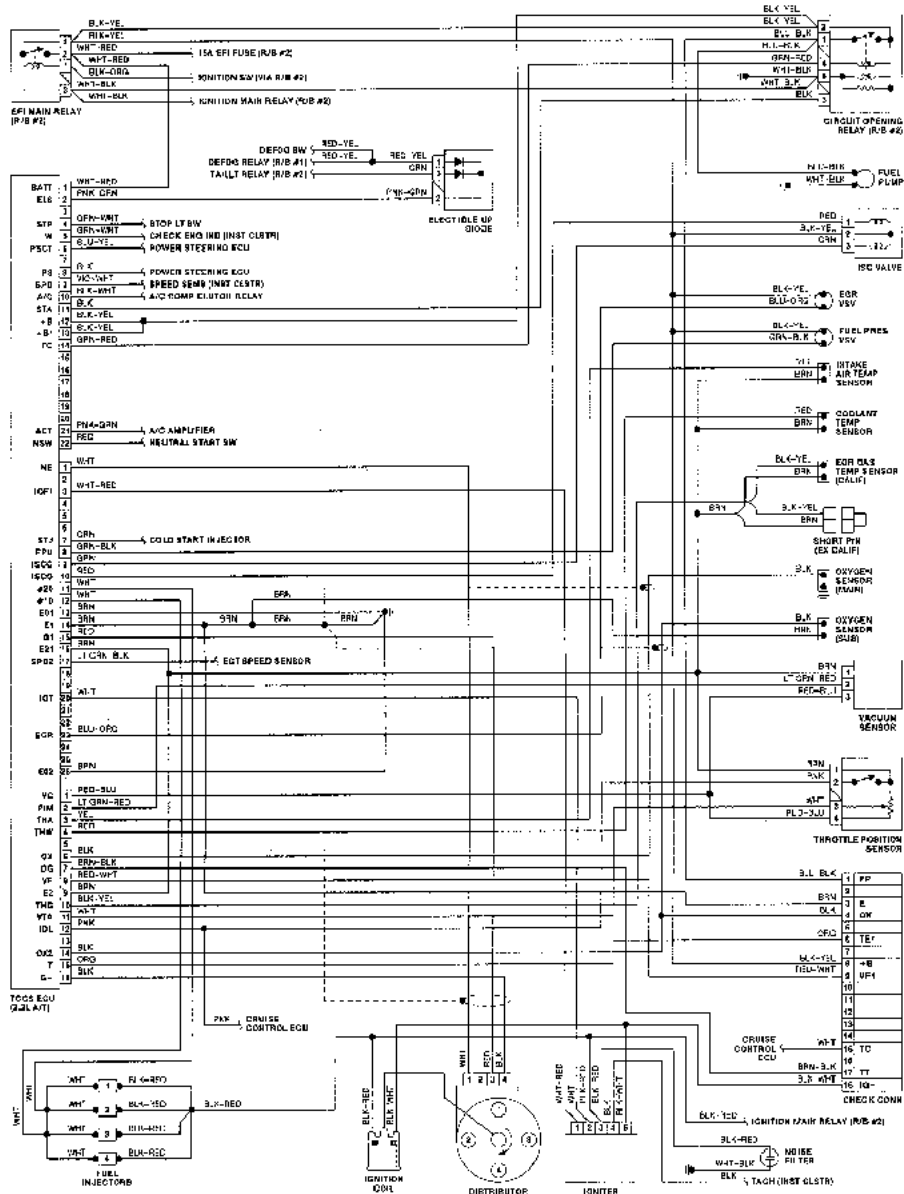


Fig. 12: Wiring Diagram (MR2 2.2L With Automatic Transmission)

# L - WIRING DIAGRAMS

## Article Text (p. 13)

1991 Toyota MR2

For Electronics & Computers El Camino Real Santa Clara CA 95051

Copyright © 1997 Mitchell International

Wednesday, November 25, 1998 03:33AM

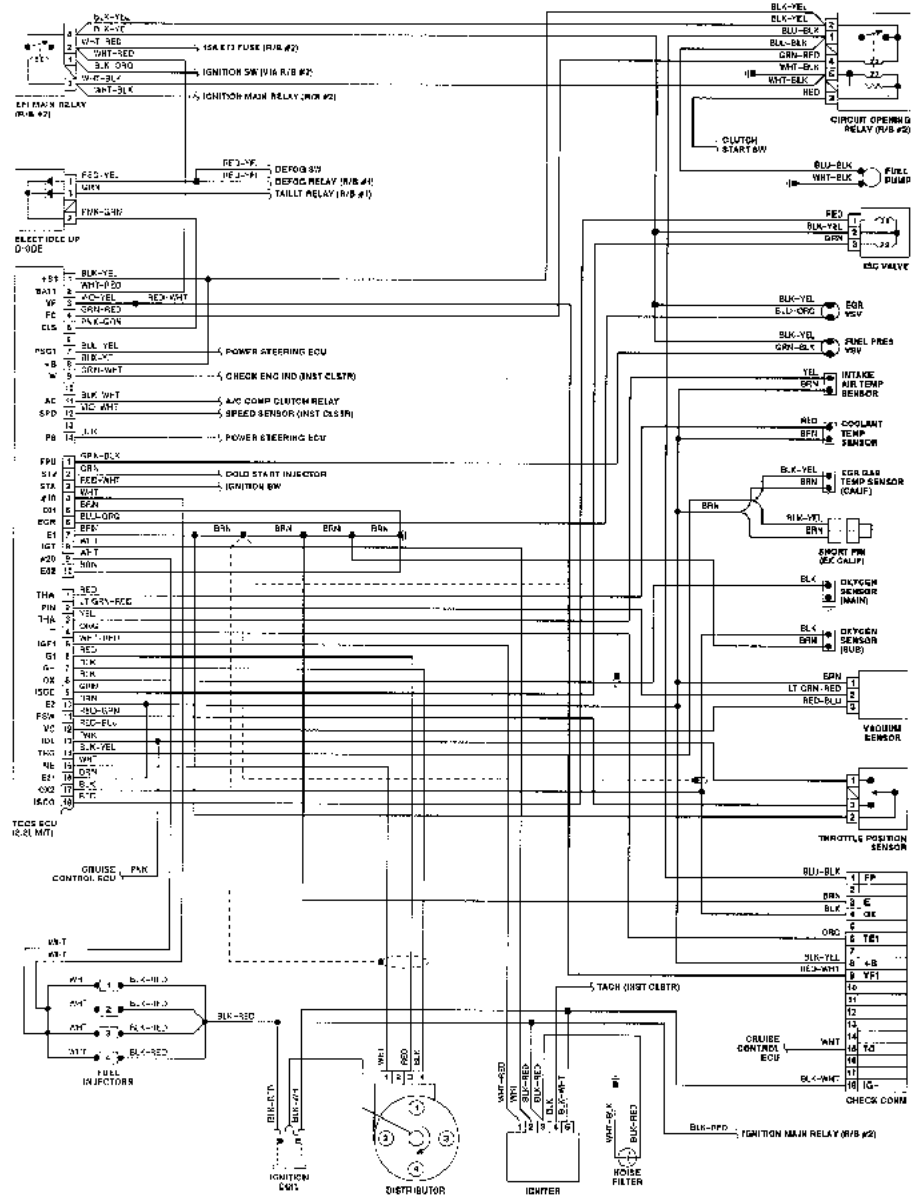


Fig. 13: Wiring Diagram (MR2 2.2L With Manual Transmission)

# L - WIRING DIAGRAMS

## Article Text (p. 14)

1991 Toyota MR2

For Electronics & Computers El Camino Real Santa Clara CA 95051

Copyright © 1997 Mitchell International

Wednesday, November 25, 1998 03:33AM

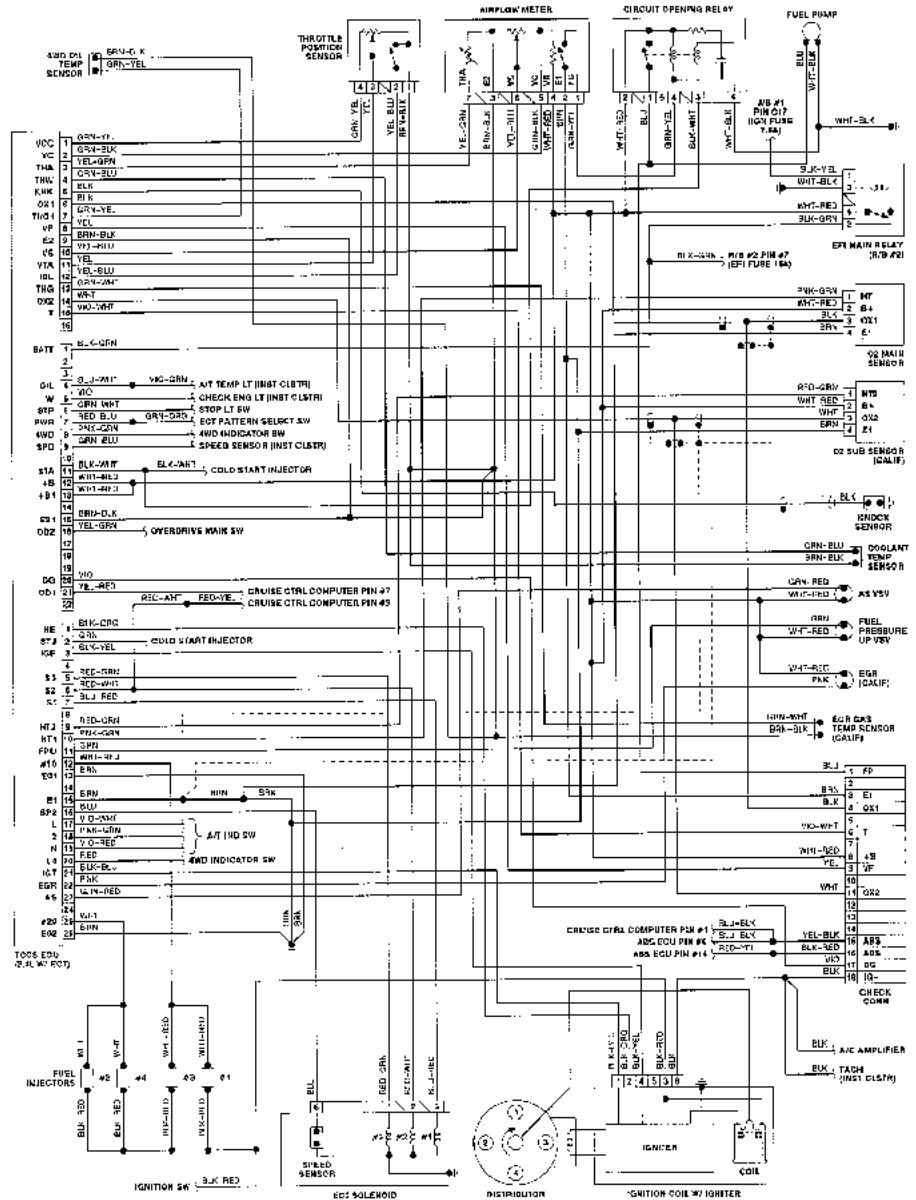


Fig. 14: Wiring Diagram (Pickup 2.4L With ECT)

# L - WIRING DIAGRAMS

## Article Text (p. 15)

1991 Toyota MR2

For Electronics & Computers El Camino Real Santa Clara CA 95051

Copyright © 1997 Mitchell International

Wednesday, November 25, 1998 03:33AM

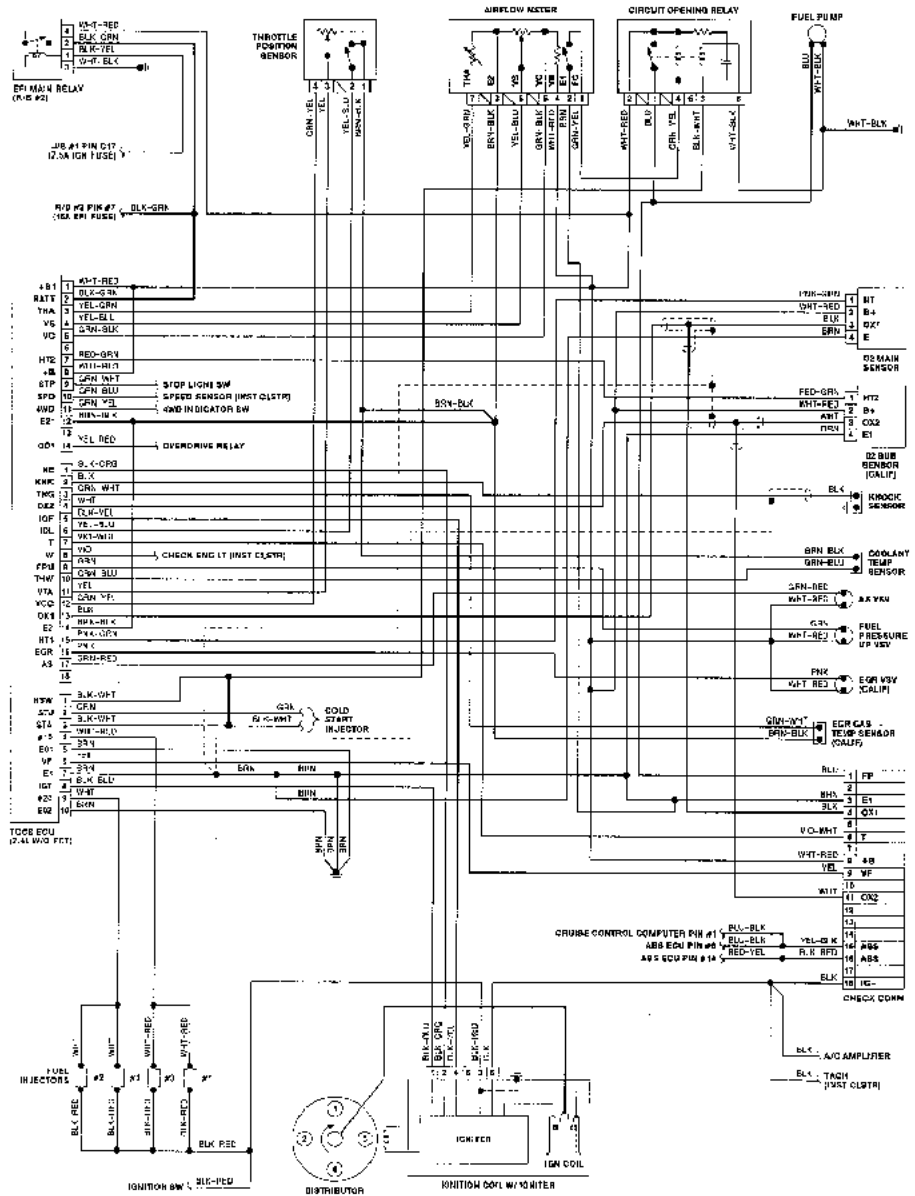


Fig. 15: Wiring Diagram (Pickup 2.4L Without ECT)

# L - WIRING DIAGRAMS

## Article Text (p. 16)

1991 Toyota MR2

For Electronics & Computers El Camino Real Santa Clara CA 95051

Copyright © 1997 Mitchell International

Wednesday, November 25, 1998 03:33AM

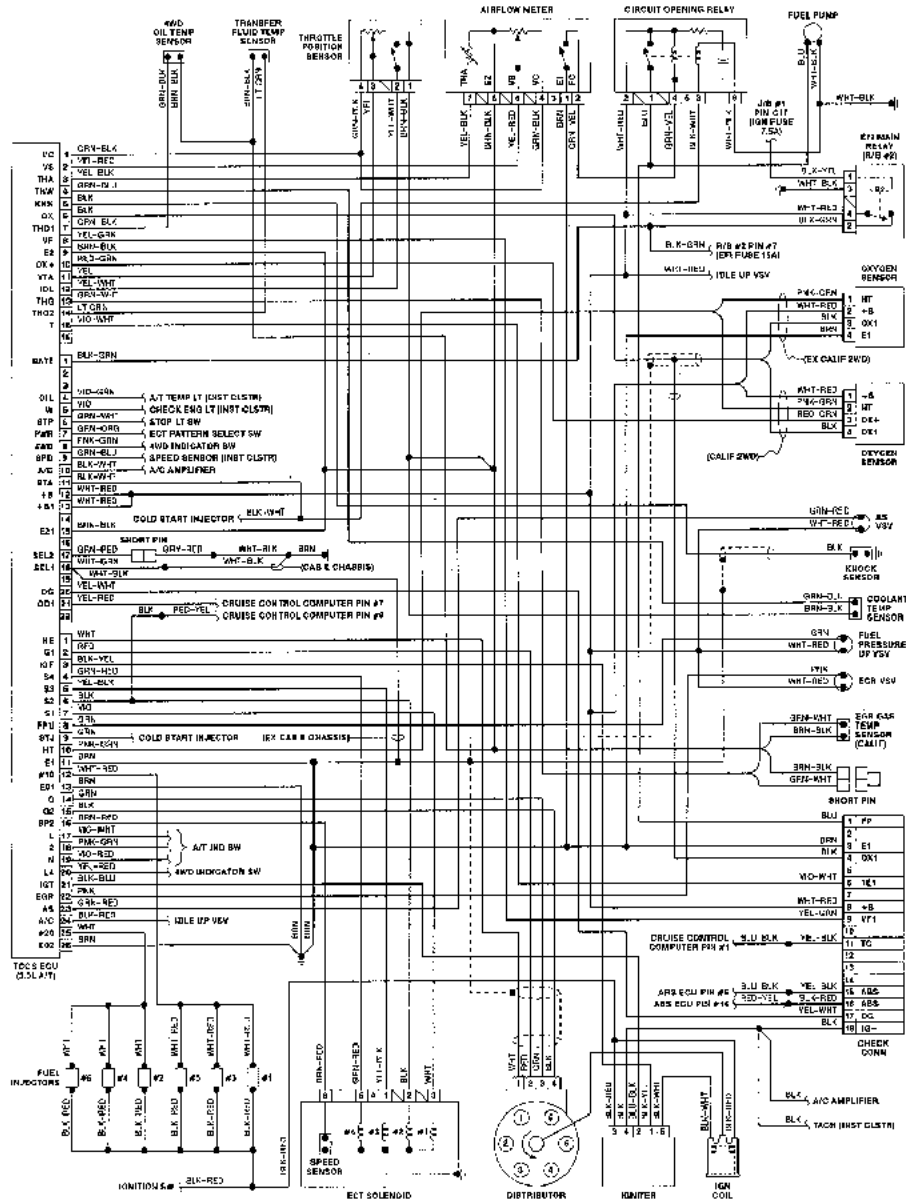


Fig. 16: Wiring Diagram (Pickup 3.0L With Automatic Transmission)



# L - WIRING DIAGRAMS

## Article Text (p. 17)

1991 Toyota MR2

For Electronics & Computers El Camino Real Santa Clara CA 95051

Copyright © 1997 Mitchell International

Wednesday, November 25, 1998 03:33AM

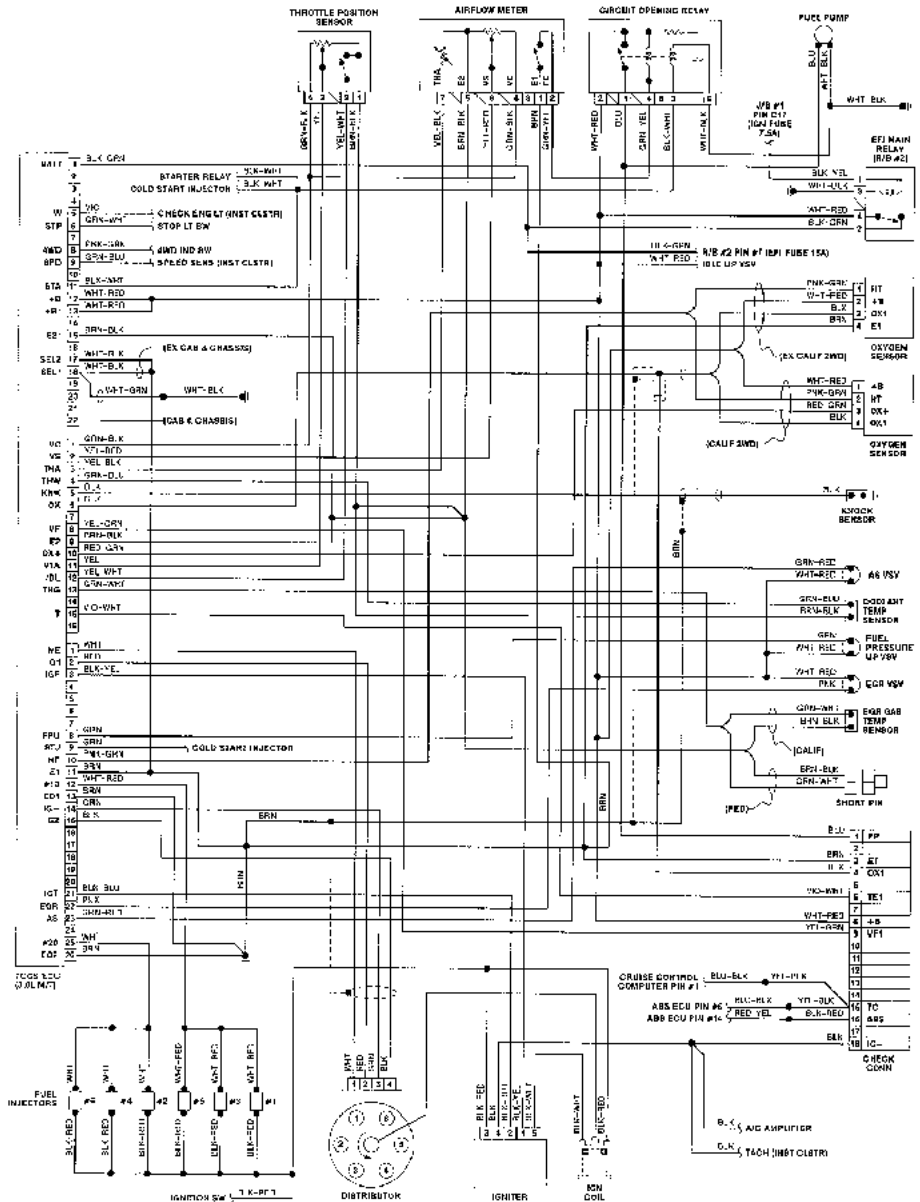


Fig. 17: Wiring Diagram (Pickup 3.0L With Manual Transmission)

# L - WIRING DIAGRAMS

## Article Text (p. 18)

1991 Toyota MR2

For Electronics & Computers El Camino Real Santa Clara CA 95051

Copyright © 1997 Mitchell International

Wednesday, November 25, 1998 03:33AM

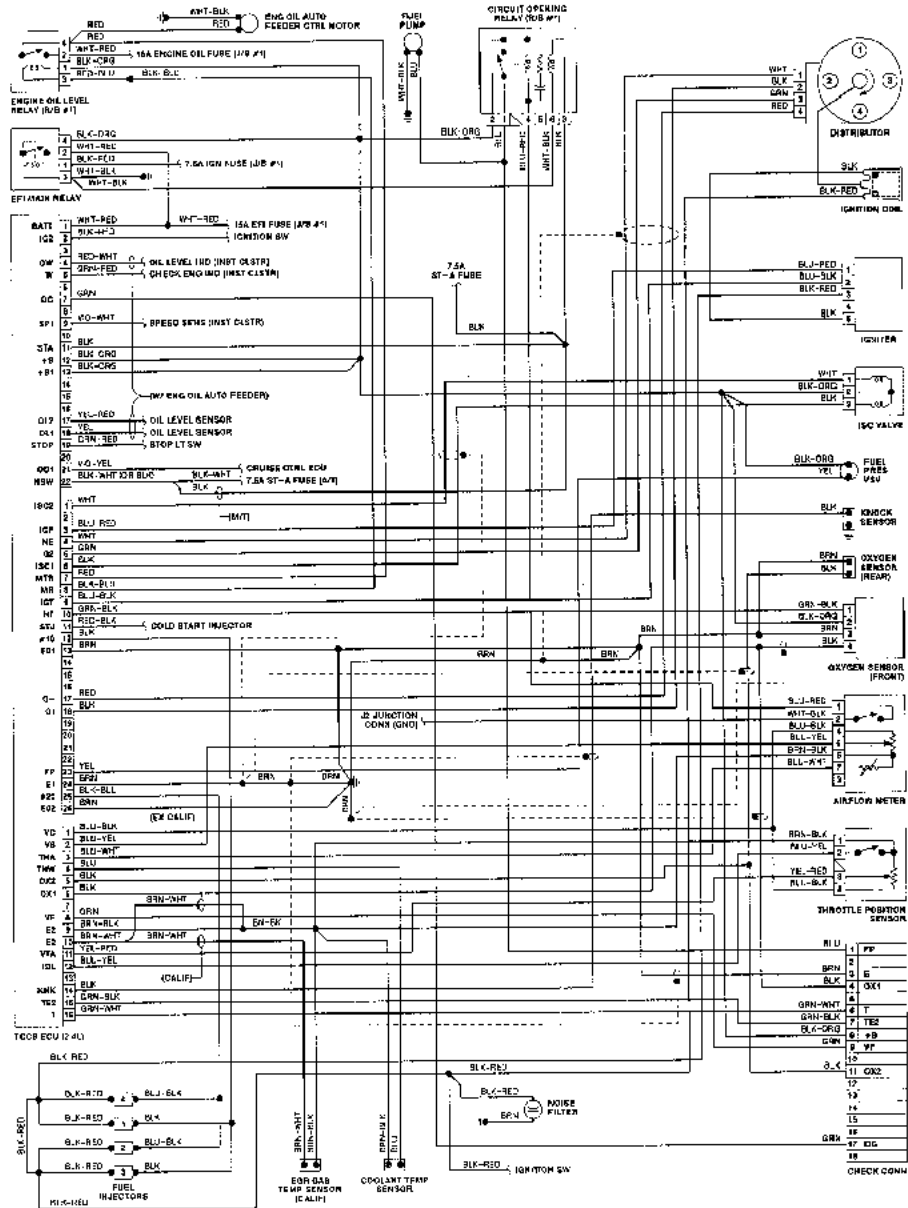


Fig. 18: Wiring Diagram (Previa 2.4L)

# L - WIRING DIAGRAMS

## Article Text (p. 19)

1991 Toyota MR2

For Electronics & Computers El Camino Real Santa Clara CA 95051

Copyright © 1997 Mitchell International

Wednesday, November 25, 1998 03:33AM

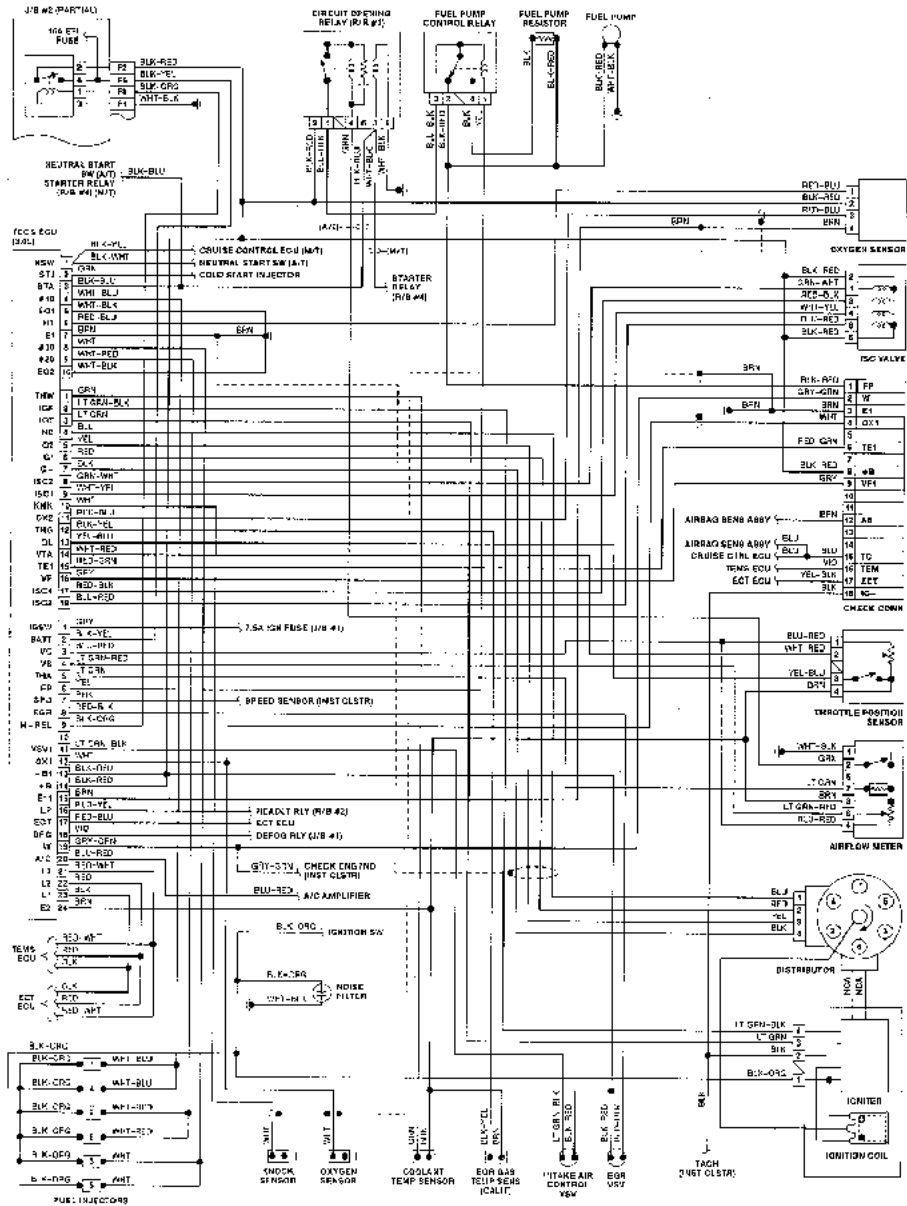


Fig. 19: Wiring Diagram (Supra 3.0L Non-Turbo)

# L - WIRING DIAGRAMS

## Article Text (p. 20)

1991 Toyota MR2

For Electronics & Computers El Camino Real Santa Clara CA 95051

Copyright © 1997 Mitchell International

Wednesday, November 25, 1998 03:33AM

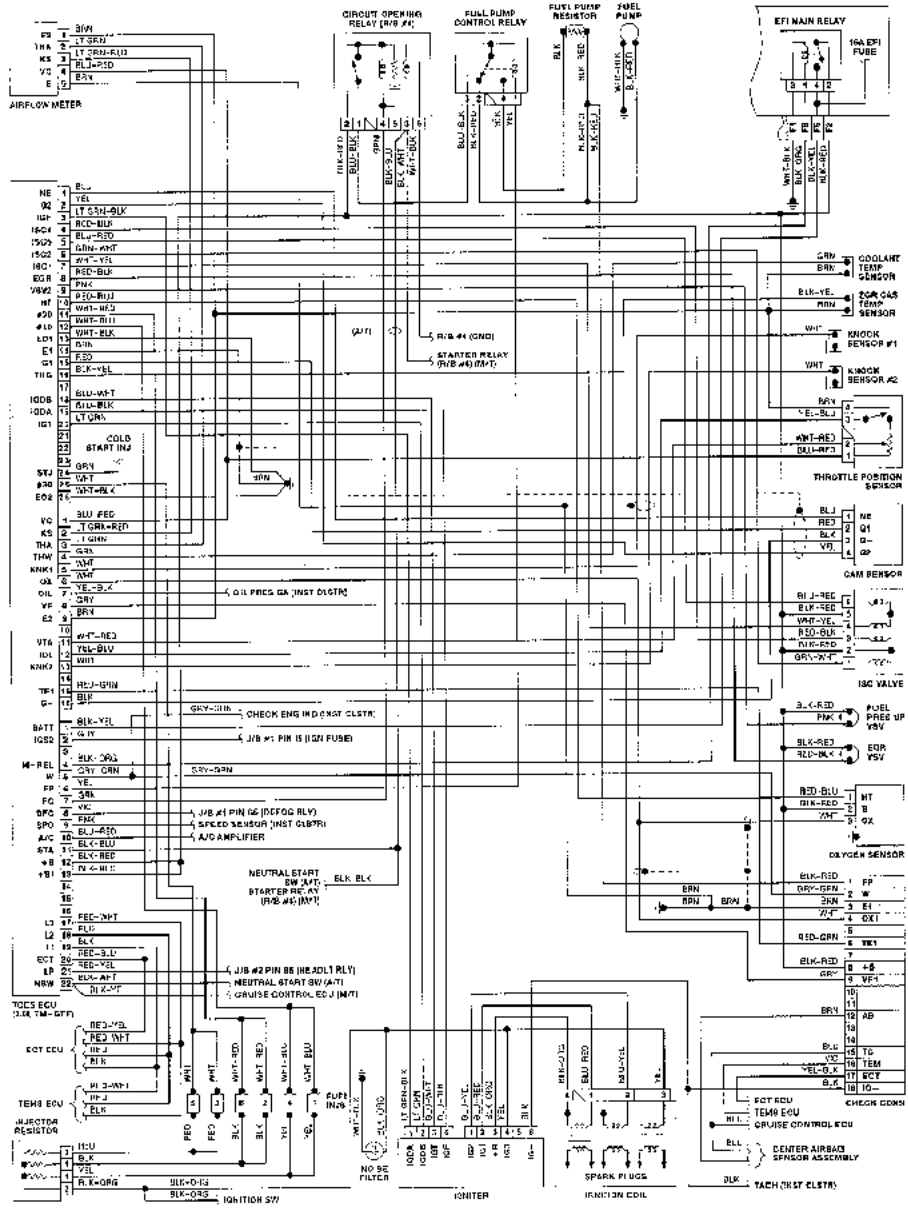


Fig. 20: Wiring Diagram (Supra 3.0L Turbo)

# L - WIRING DIAGRAMS

## Article Text (p. 21)

1991 Toyota MR2

For Electronics & Computers El Camino Real Santa Clara CA 95051

Copyright © 1997 Mitchell International

Wednesday, November 25, 1998 03:33AM

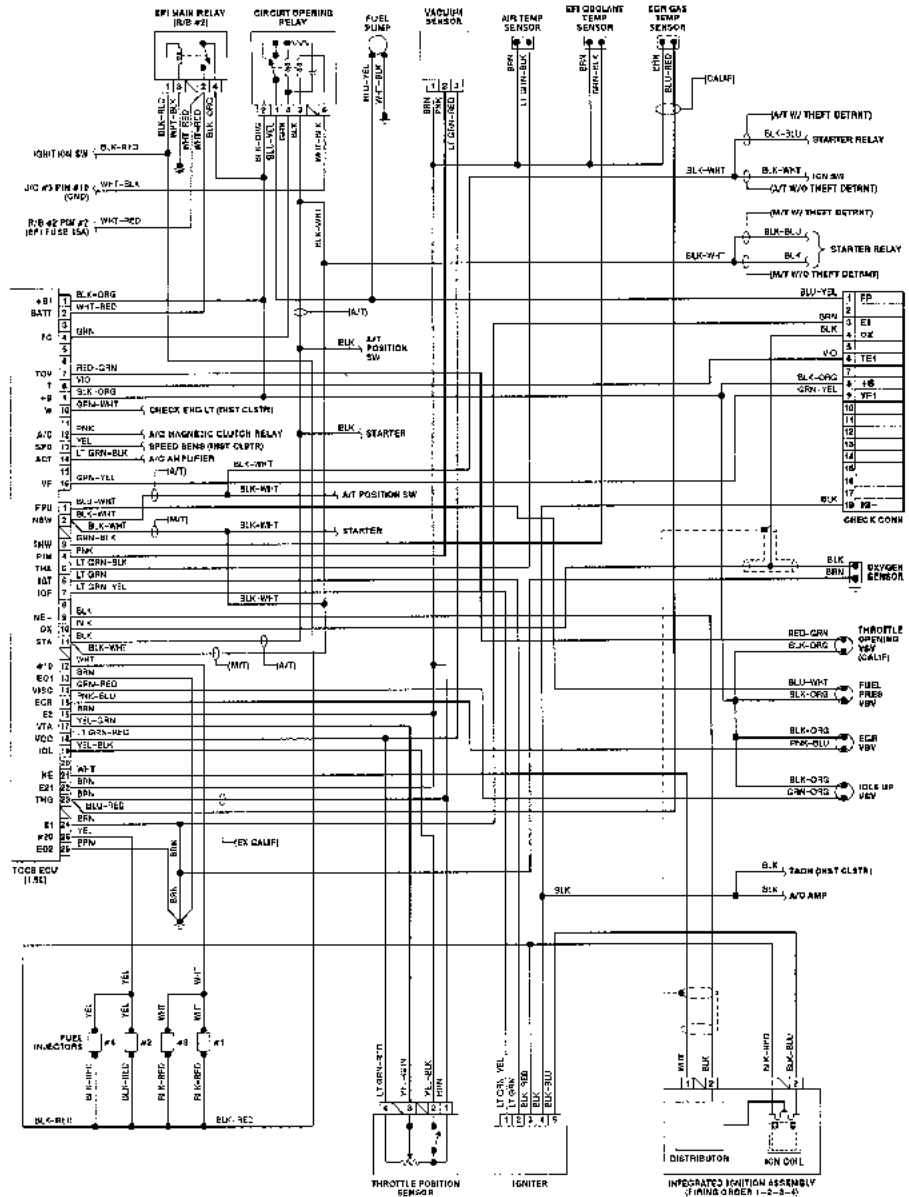


Fig. 21: Wiring Diagram (Tercel 1.5L)

# L - WIRING DIAGRAMS

## Article Text (p. 22)

1991 Toyota MR2

For Electronics & Computers El Camino Real Santa Clara CA 95051

Copyright © 1997 Mitchell International

Wednesday, November 25, 1998 03:33AM

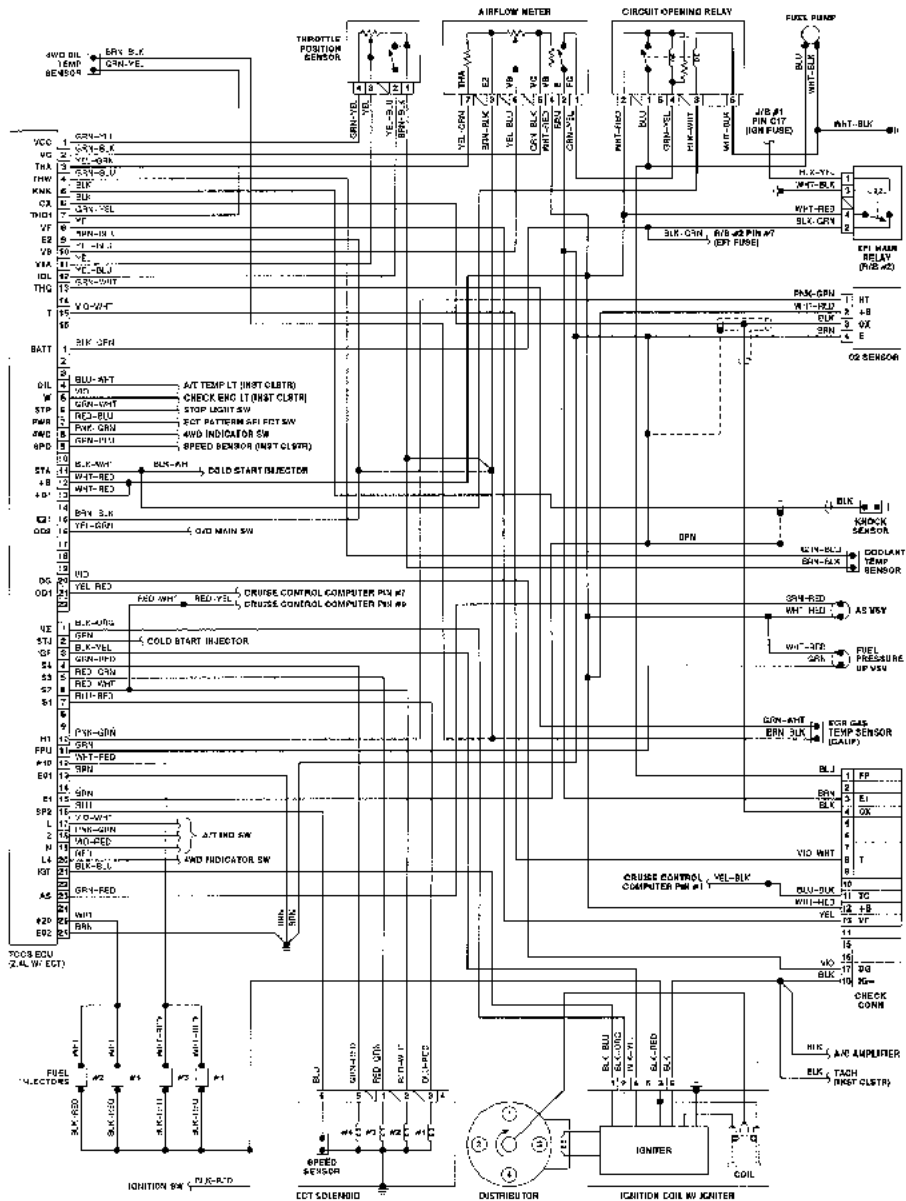


Fig. 22: Wiring Diagram (4Runner 2.4L With ECT)

# L - WIRING DIAGRAMS

## Article Text (p. 23)

1991 Toyota MR2

For Electronics & Computers El Camino Real Santa Clara CA 95051

Copyright © 1997 Mitchell International

Wednesday, November 25, 1998 03:33AM

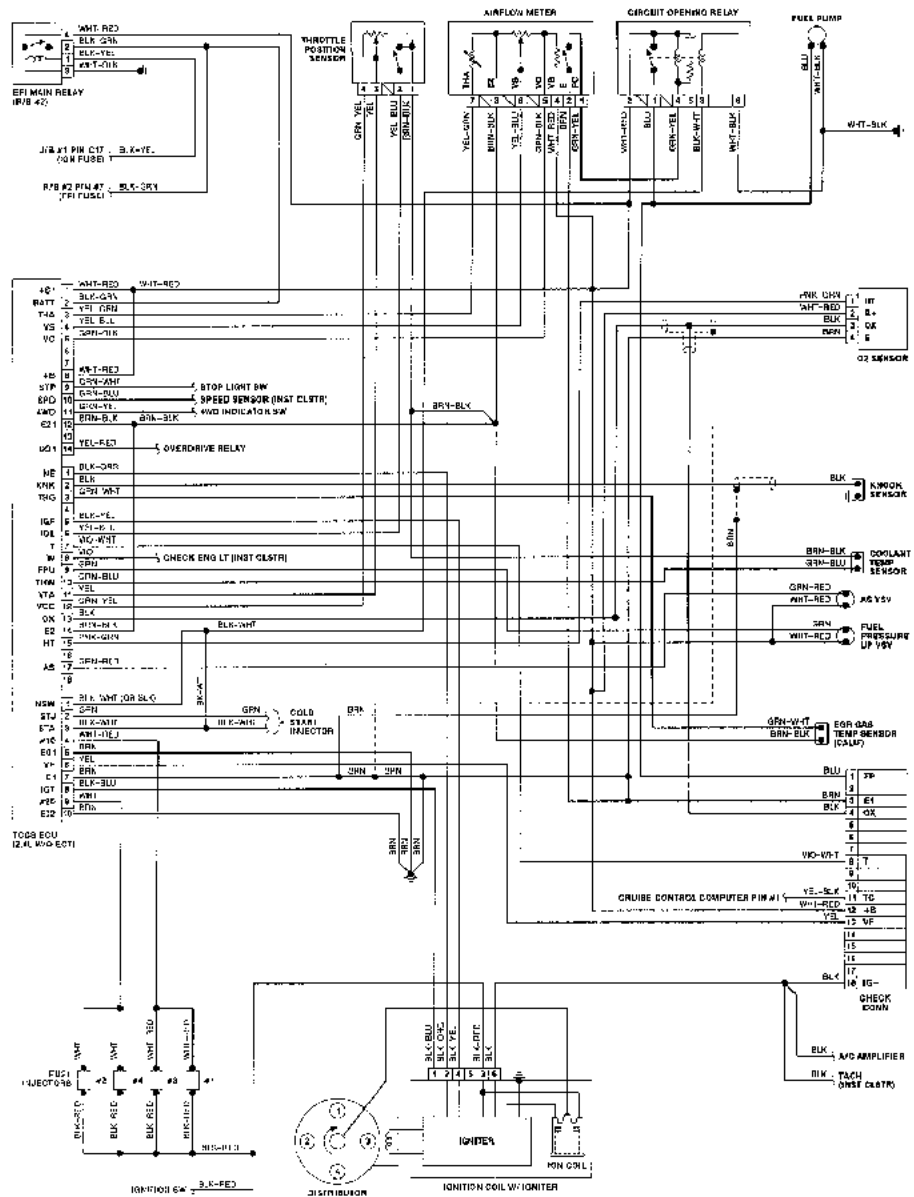


Fig. 23: Wiring Diagram (4Runner 2.4L Without ECT)

# L - WIRING DIAGRAMS

## Article Text (p. 24)

1991 Toyota MR2

For Electronics & Computers El Camino Real Santa Clara CA 95051

Copyright © 1997 Mitchell International

Wednesday, November 25, 1998 03:33AM

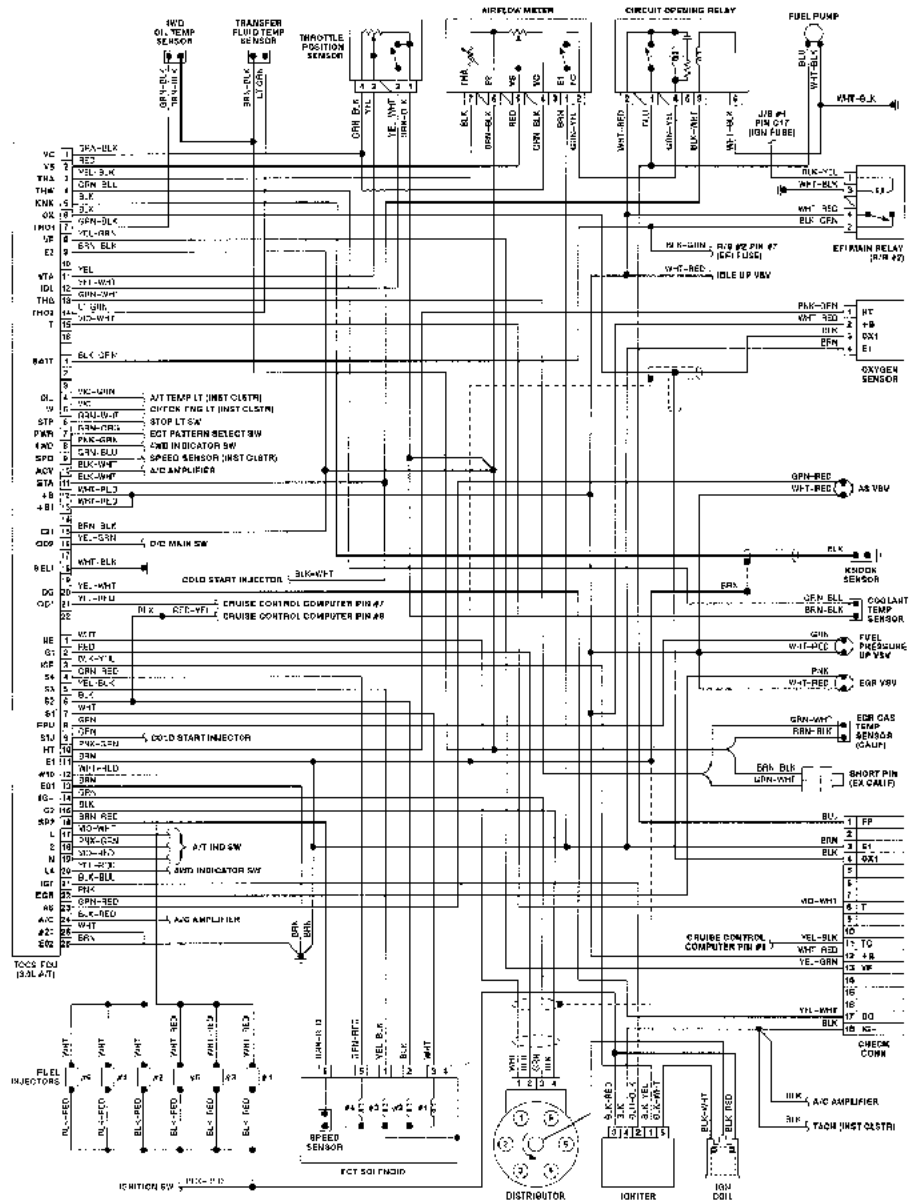


Fig. 24: Wiring Diagram (4Runner 3.0L With Automatic Transmission)



# L - WIRING DIAGRAMS

## Article Text (p. 25)

1991 Toyota MR2

For Electronics & Computers El Camino Real Santa Clara CA 95051

Copyright © 1997 Mitchell International

Wednesday, November 25, 1998 03:33AM

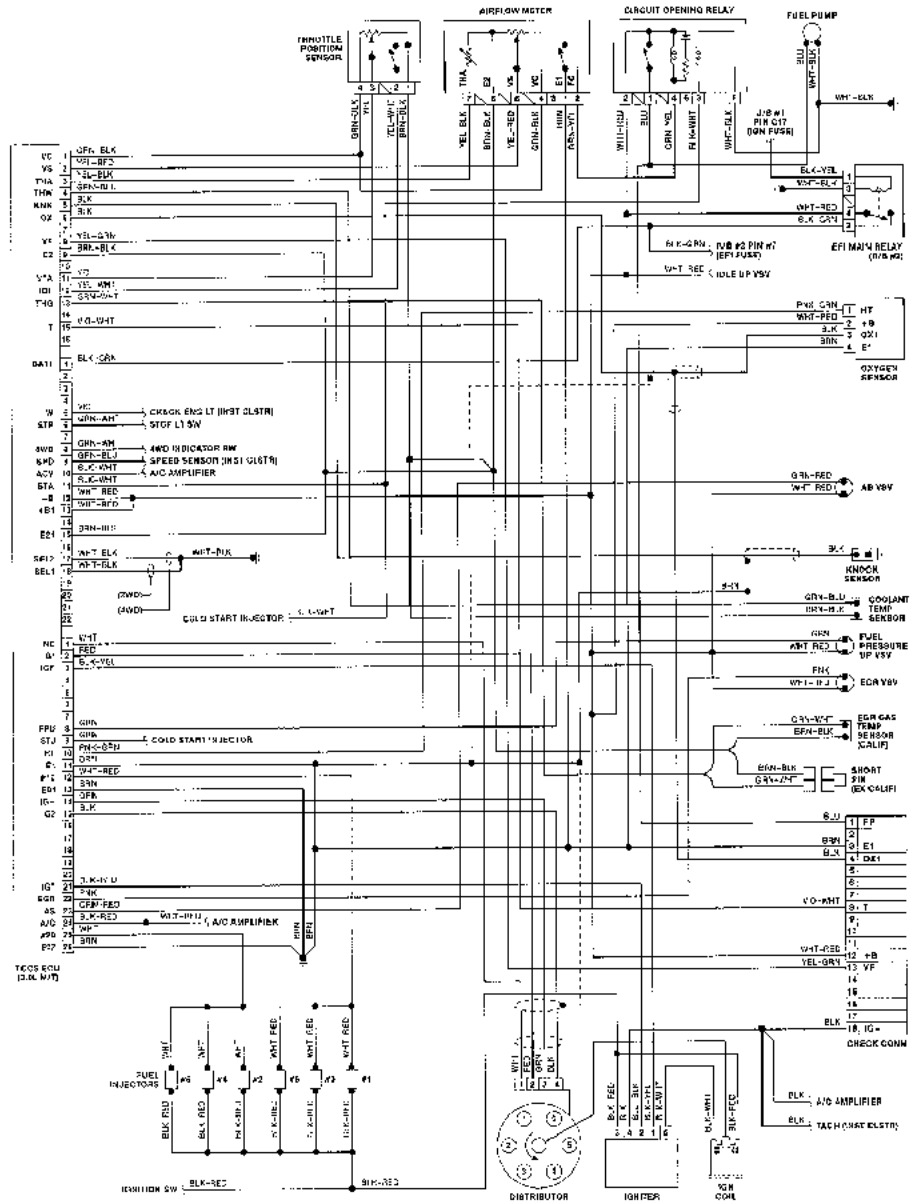


Fig. 25: Wiring Diagram (4Runner 3.0L With Manual Transmission)

END OF ARTICLE