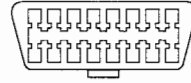
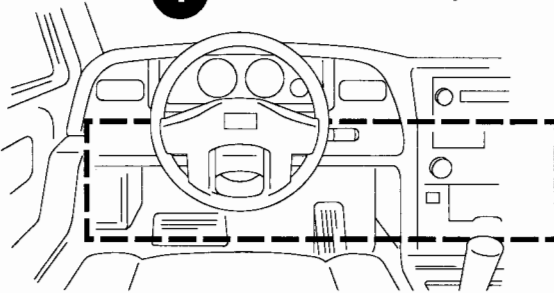


carchip® Installation Instructions

Installing CarChip in Your Car

1

Find the OBDII connector on your car.



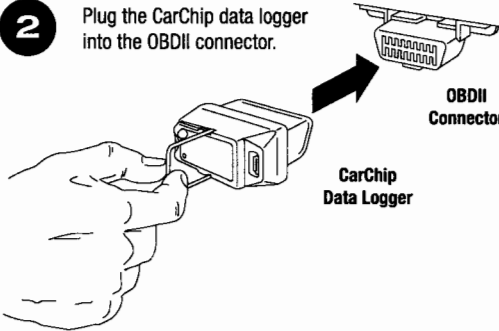
OBDII connector

The OBDII connector will be located within 3 feet of the steering wheel, in the general area indicated by the dotted line. It should be easily accessible to a person in the driver's seat.

Note: If you have trouble finding your OBDII connector, don't forget to look under the dash or in the dash area in front of the passenger seat.

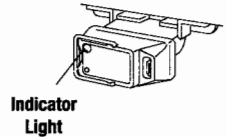
2

Plug the CarChip data logger into the OBDII connector.



3

Check to make sure the data logger indicator light is blinking.



Software Installation and Setup

Detailed instructions on how to use the software are available in the online help and user-printable PDF on the CarChip CD. CarChip software is compatible with Windows™ 98SE/2000/ME/XP/Vista.

Installing the Software

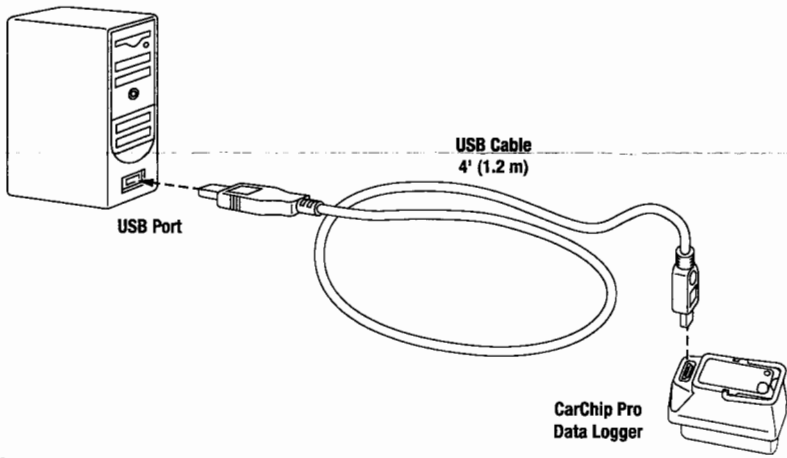
1. Place the CarChip CD in your CD-ROM drive.
2. The install program should start automatically. If the install program does not start, choose Run from the Start menu, type D:\SETUP (or the correct letter for your CD-ROM drive), and choose OK to begin the installation.
3. Follow the on-screen prompts to complete the installation.

Running the Software

To run the software, double-click the CarChip icon.

Troubleshooting

Troubleshooting information is included in the online help and user-printable PDF on the CarChip CD.



Connecting CarChip to Your Computer

1. Insert the USB connector of the download cable into a USB port.
2. Plug the smaller connector into the CarChip data logger port.

Important Safety Notice

CarChip has been carefully designed and tested to comply with OBDII protocols J1850-41.6, J1850-10.4, ISO 9141, KWP2000 (ISO14320), and CAN, which are used on most cars and light trucks sold in the USA, model-year 1996 or later. However, some vehicle models are not in full compliance with these protocols. In addition, the computer control systems on any given vehicle may be malfunctioning or out of spec, as may be the sensors used by these systems.

Before installing CarChip, be sure to review the list of known vehicle exclusions and anomalies on our website at www.carchip.com, where you'll also find the latest software and firmware downloads. For more information on OBDII issues and anomalies in general, we recommend The Equipment and Tool Institute's website at www.etoools.org.

While our testing and the experience of thousands of CarChip users have shown the unit to be safe and reliable, there is an inherent risk in adding any aftermarket product that may potentially affect the operation or drivability of your vehicle. **Should you be concerned about the operation of your vehicle at any time while using CarChip, you should pull over, off the roadway, immediately or as soon as it is safe to do so. Remove CarChip from the OBDII port and consult a licensed mechanic or automobile service center.**

Report any issues or concerns to our Technical Support Department at (510) 732 7814 or support@davisnet.com. We are open Monday through Friday, 7:00 a.m. to 5:30 p.m. Pacific Time. We maintain an active database of the feedback we receive, and your comments can help us continuously improve the product.

One Year Limited Warranty

We warrant our products to be free of defects in material and workmanship for one year from the date of original purchase. While we make every effort to carefully manufacture our products to the highest standards of quality, occasionally parts may be found missing, defective, or damaged.

If you have a defective part, return the product to us, shipping charges prepaid. Include proof of purchase and a written explanation of the trouble. During the warranty period, we will, at our option, either repair or replace the product free of charge.

This warranty does not cover damage due to improper installation or use, negligence, accident, or unauthorized service, or incidental or consequential damages beyond Davis products themselves. Implied warranties are limited in duration to the life of the limited warranty.

Some states do not allow limitations on how long an implied warranty lasts, or the exclusion or limitation of incidental or consequential damages, so the above limitations may not apply to you. This warranty gives you specific legal rights. You may have other rights, which vary from state to state or country to country.