

FIGURE (a)

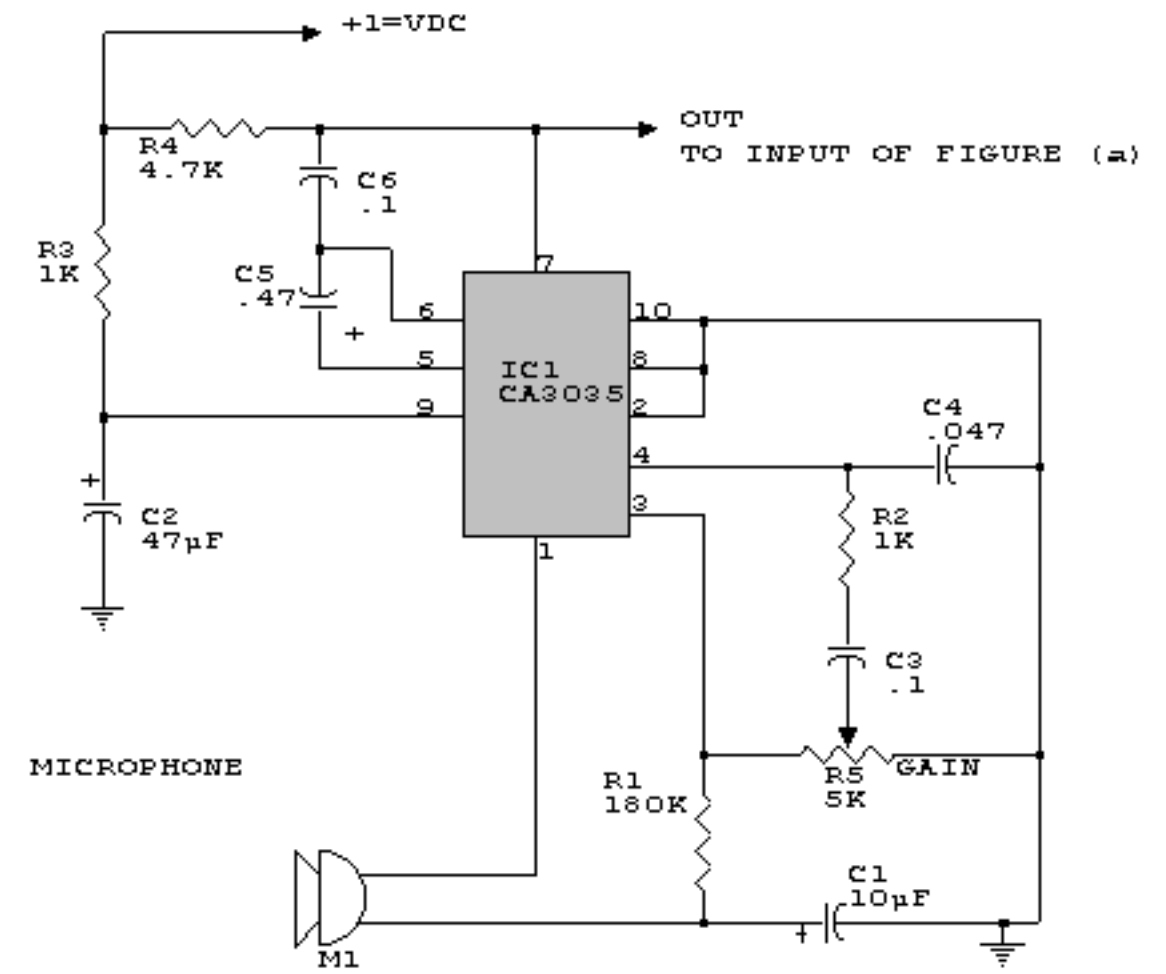


FIGURE (b)