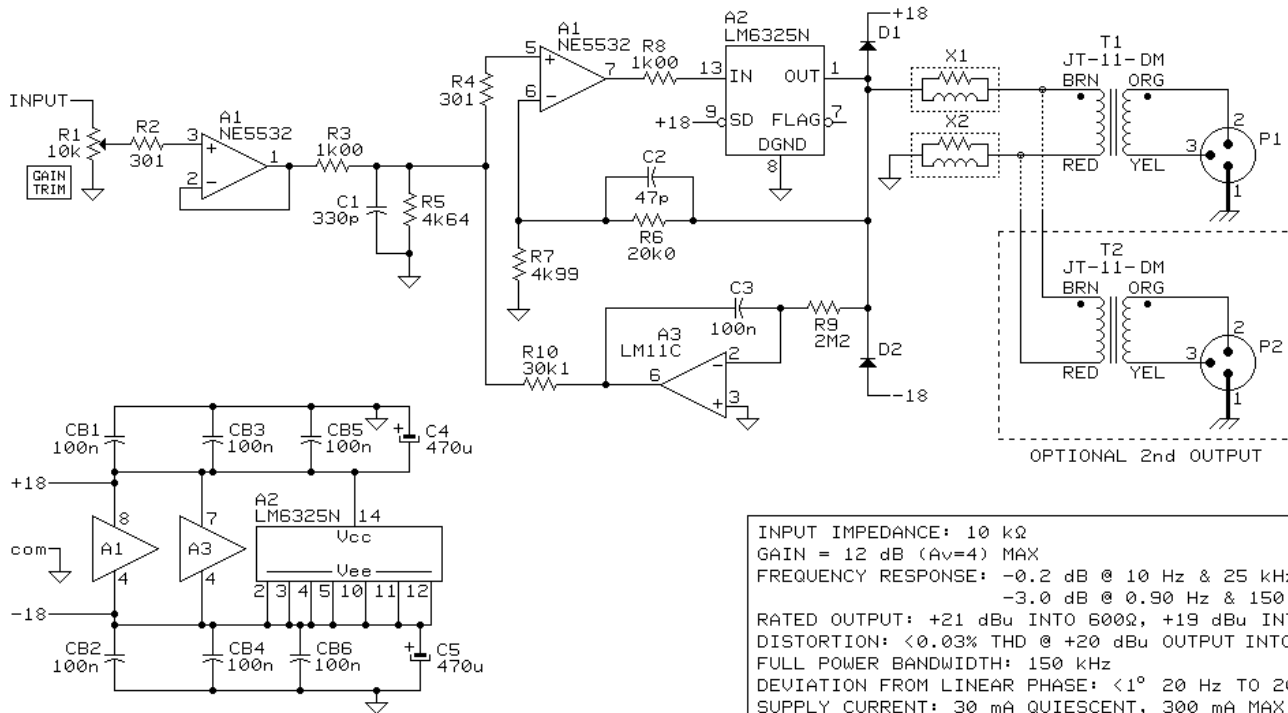


# 12 dB AMPLIFIER AND HIGH CURRENT LINE DRIVER WITH DC SERVO

THIS DRIVER WILL DRIVE TWO 600Ω TERMINATED LINES WITH UP TO 500 FEET TOTAL OF TYPICAL CABLE



INPUT IMPEDANCE: 10 kΩ  
 GAIN = 12 dB (Av=4) MAX  
 FREQUENCY RESPONSE: -0.2 dB @ 10 Hz & 25 kHz  
 -3.0 dB @ 0.90 Hz & 150 kHz  
 RATED OUTPUT: +21 dBu INTO 600Ω, +19 dBu INTO 300Ω  
 DISTORTION: <0.03% THD @ +20 dBu OUTPUT INTO 600Ω  
 FULL POWER BANDWIDTH: 150 kHz  
 DEVIATION FROM LINEAR PHASE: <1° 20 Hz TO 20 kHz  
 SUPPLY CURRENT: 30 mA QUIESCENT, 300 mA MAX

## NOTES:

1. ALL RESISTORS ARE ±1% 1/4w METAL FILM TYPES, ROEDERSTEIN MK2-1 OR EQUIVALENT
2. CBx CAPACITORS ARE MULTILAYER CERAMICS WITH LEADS AS SHORT AS POSSIBLE  
 ALL OTHER CAPACITORS ARE POLYPROPYLENE, POLYSTYRENE, OR NP0/C0G CERAMIC TYPES
3. X1 AND X2 ARE OUTPUT LOAD ISOLATORS, JENSEN #JT-OLI-2
4. USE GOOD HIGH FREQUENCY CONSTRUCTION TECHNIQUES. USE OF POWER & GROUND PLANES IS HIGHLY RECOMMENDED.
5. A2 PASSES HEAT THROUGH PINS 3, 4, 5, 10, 11 & 12. SOLDER THESE PINS TO AT LEAST 2 SQ IN OF 2 OZ COPPER.

© COPYRIGHT 1992, 1995 JENSEN TRANSFORMERS, INC.

<b>jensen</b>	AS024
	09/18/95
7135 HAYVENHURST AVE. VAN NUYS, CALIFORNIA 91406 (818) 374-5857	