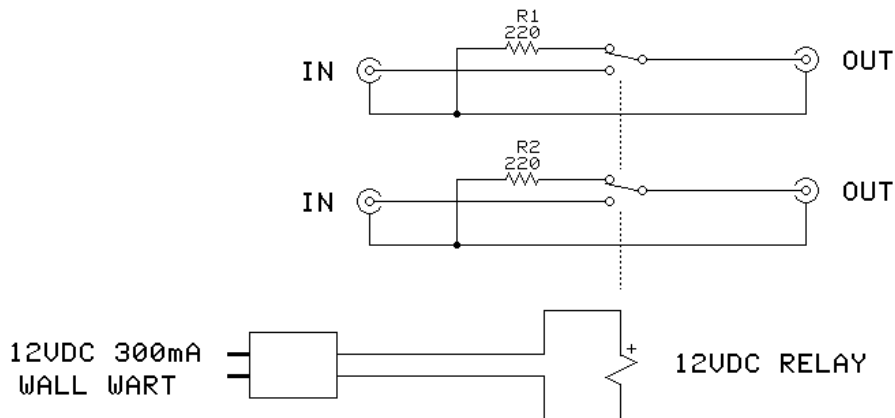


RELAY SWITCHED INPUT TERMINATOR FOR POWER AMPS OR POWERED SUBWOOFERS



THIS CIRCUIT WILL DISCONNECT THE INPUTS OF A POWER AMPLIFIER FROM A PREAMP OUTPUT TO PREVENT HUM AND BUZZ IF THE AMPLIFIER IS ALWAYS LEFT ON, OR IS ONE OF THE SIGNAL SENSING "AUTO-ON" TYPES. ALWAYS ON TYPE POWER AMPS OR SUBWOOFERS CAN HUM IF THE DRIVING UNIT IS POWERED OFF, AND THE OUTPUT CIRCUITS ARE HIGH IMPEDANCE. SIMPLY PLUG THE 12VDC WALL WART INTO THE SWITCHED AC POWER OUTLET ON THE PREAMP OR RECEIVER.

THE 220 OHM RESISTORS PREVENT TOO LOW AN IMPEDANCE BEING PRESENTED TO THE POWER AMPLIFIER OR SUBWOOFER INPUT, WHICH IN SOME CASES COULD CAUSE PROBLEMS.

jensen	AS101
	12/10/03
7135 HAYVENHURST AVE. VAN NUYS, CALIFORNIA 91406 (818) 374-5857	