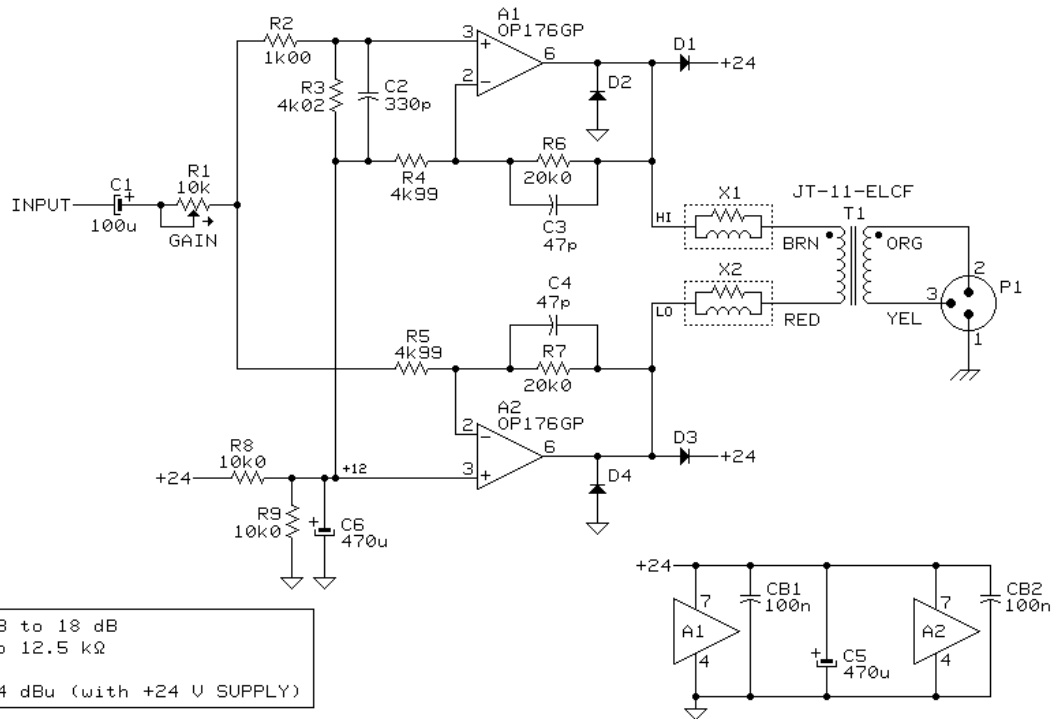


HIGH OUTPUT LINE DRIVER FOR SINGLE ENDED POWER SUPPLY



GAIN 1.5X to 8.0X or 4 dB to 18 dB
 INPUT IMPEDANCE 2.5 k Ω to 12.5 k Ω
 OUTPUT IMPEDANCE 80 Ω
 MAXIMUM OUTPUT APPROX +24 dBu (with +24 V SUPPLY)

NOTES

THIS CIRCUIT MAY BE USED WITH A SUPPLY UP TO +40 VDC
 A1/A2 MUST BE LOW OFFSET VOLTAGE/CURRENT TYPE SHOWN TO PREVENT EXCESS DC ACROSS T1
 ALL RESISTORS ARE $\pm 1\%$ 1/4w METAL FILM TYPES, ROEDERSTEIN MK2-1 OR EQUIVALENT
 D1 THRU D4 ARE HIGH CONDUCTANCE DIODES, SUCH AS 1N4448 or 1N4002
 C2, C3, AND C4 ARE POLYPROPYLENE, POLYSTYRENE, OR NPO/C0G CERAMIC TYPES
 X1 AND X2 ARE OUTPUT LOAD ISOLATORS, JENSEN #JT-OLI-3 (3.9 μ H || 39 Ω)
 USE GOOD HIGH FREQUENCY CONSTRUCTION TECHNIQUES.
 (USE OF A GROUND PLANE IS HIGHLY RECOMMENDED)

© COPYRIGHT 1994, 1998 JENSEN TRANSFORMERS, INC.

jensen	AS079
	01/14/98
7135 HAYVENHURST AVE. VAN NUYS, CALIFORNIA 91406 (818) 374-5857	