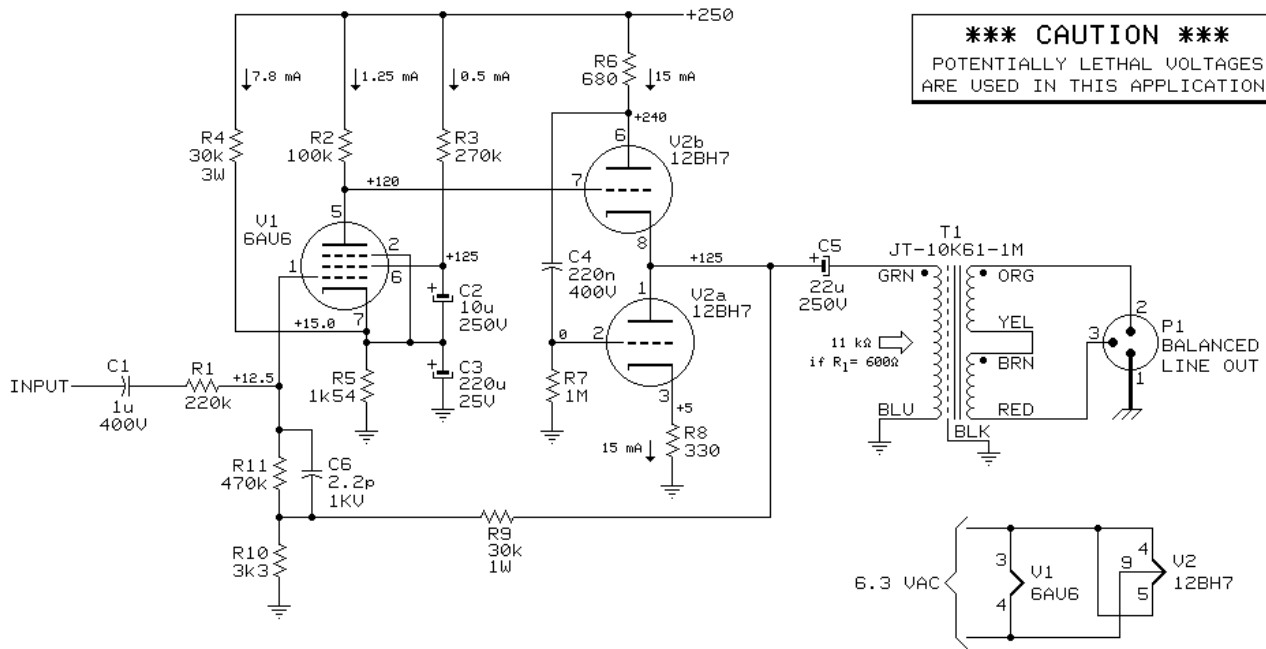


JT-10K61-1M LINE DRIVER USES PUSH-PULL VACUUM TUBE "CASCODE FOLLOWER"



**NOTES**

- VOLTAGE GAIN, INPUT TO LINE OUTPUT = 5.3X (14.5 dB)
- APPROX 10 V p-k-p-k AT INPUT PRODUCES FULL OUTPUT (APPROX +26 dBu INTO 600Ω)
- ALL RESISTORS 1/4 W METAL FILM TYPES UNLESS NOTED

© COPYRIGHT 2000, JENSEN TRANSFORMERS, INC.

<b>jensen</b>	AS021
	03/13/2000
7135 HAYVENHURST AVE. VAN NUYS, CALIFORNIA 91406 (818) 374-5857	