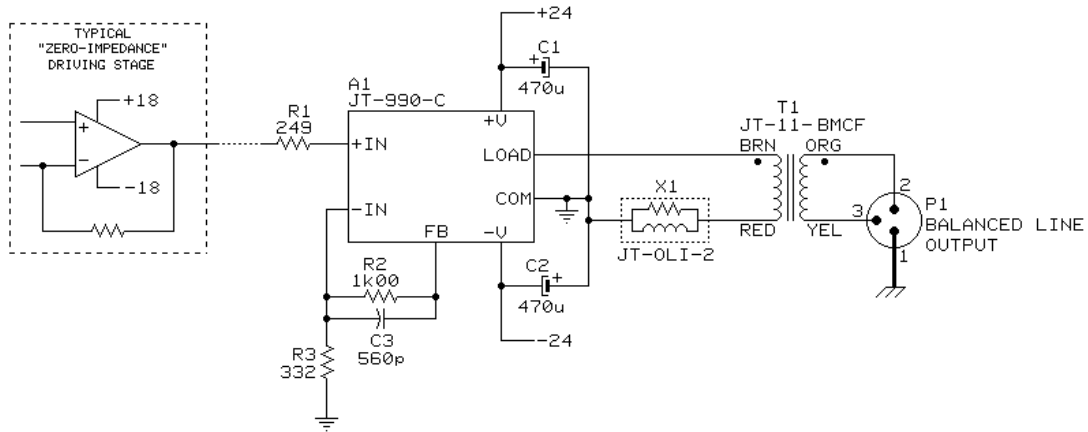


JT-11-BM + JT-990-C = ULTRA-HIGH PERFORMANCE OUTPUT STAGE

THIS DRIVER SUITABLE FOR LOADS OF 300Ω MINIMUM AND UP TO 500 FEET OF TYPICAL CABLE



INPUT IMPEDANCE: > 1 MΩ
 GAIN = 12 dB (Av=4)
 FREQUENCY RESPONSE: -0.2 dB @ 10 Hz & 25 kHz
 -3.0 dB @ 0.90 Hz & 150 kHz
 RATED OUTPUT: +26 dBu INTO 500 Ω LOAD
 DISTORTION: <0.01% THD @ +20 dBu 20 Hz OUTPUT
 FULL POWER BANDWIDTH: 150 kHz
 OUTPUT SOURCE IMPEDANCE: 80 Ω
 DEVIATION FROM LINEAR PHASE: <1° 20 Hz TO 20 kHz
 SUPPLY CURRENT: 25 mA QUIESCENT, 300 mA MAX

NOTES

1. ALL RESISTORS ARE ±1% 1/4w METAL FILM TYPES, ROEDERSTEIN MK2-1 OR EQUIVALENT
(1k00 = 1.00k & 15r0 = 15.0)
2. ALL CAPACITORS ARE POLYPROPYLENE, POLYSTYRENE, OR NP0/C0G CERAMIC TYPES
3. USE GOOD HIGH FREQUENCY CONSTRUCTION TECHNIQUES. USE OF POWER & GROUND PLANES IS HIGHLY RECOMMENDED.
4. X1 IS JENSEN #JT-OLI-2 LOAD ISOLATOR

jensen	AS026
	09/18/95
7135 HAYVENHURST AVE. VAN NUYS, CALIFORNIA 91406 (213) 876-0059	