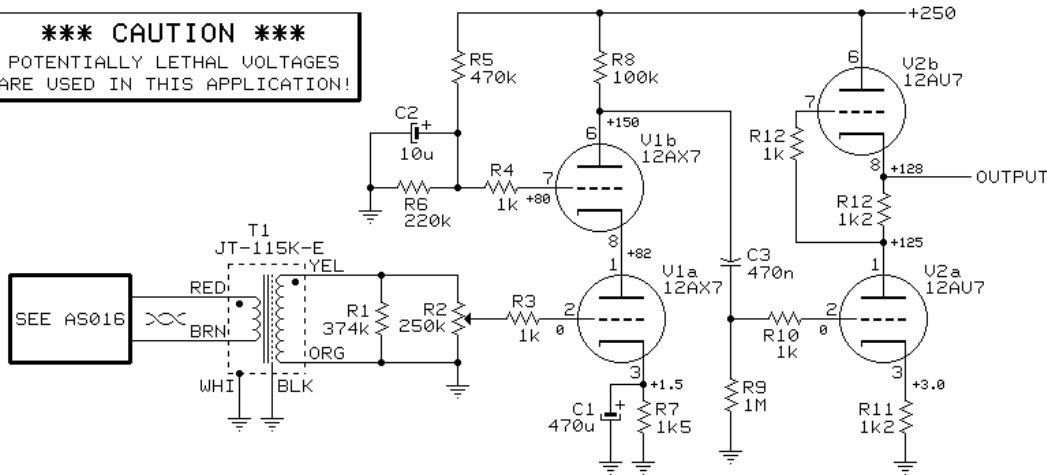


JT-115K-E CASCADE TUBE MICROPHONE INPUT STAGE

***** CAUTION *****
 POTENTIALLY LETHAL VOLTAGES
 ARE USED IN THIS APPLICATION!



OVERALL GAIN (INCLUDING TRANSFORMER) = 5000x (74 dB) MAX
 ELECTRONIC GAIN = 550x (55 dB) MAX

NOTES

1. RESISTORS ARE $\pm 1\%$ 1/4w METAL FILM TYPES, ROEDERSTEIN MK2-1 OR EQUIVALENT
 R8 SHOULD BE WIREWOUND OR METAL FOIL TYPE TO REDUCE EXCESS NOISE CONTRIBUTION
 1 k RESISTORS SHOULD BE AS CLOSE AS POSSIBLE TO TUBES TO PREVENT POSSIBLE SPURIOUS UHF OSCILLATIONS
2. U1 SOCKET SHOULD BE HIGH QUALITY NON-HYGROSCOPIC TYPE, SUCH AS PORCELAIN, FOR LOWEST NOISE
3. IF T1 IS NEAR A POWER TRANSFORMER, CONSIDER THE TRIPLE MAGNETIC SHIELDED JT-115K-E90
4. USE OF VERY CLEAN DC POWER FOR PLATE AND HEATER IS HIGHLY RECOMMENDED

jensen	AS054
03/13/2000	
7135 HAYVENHURST AVE. VAN NUYS, CALIFORNIA 91406 (818) 374-5857	

© COPYRIGHT 2000, JENSEN TRANSFORMERS, INC.