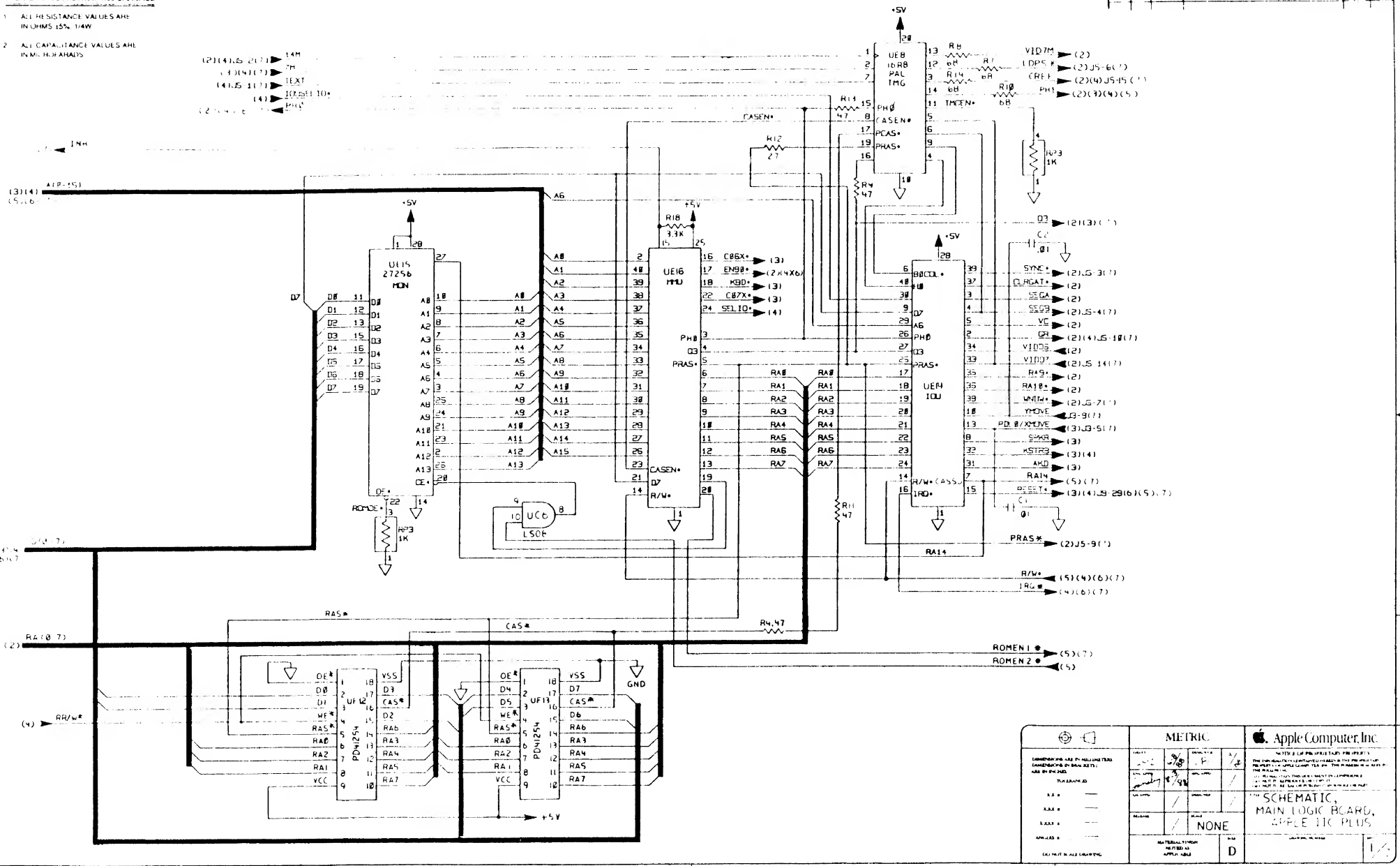


REV	DATE	BY	DESCRIPTION
A	1/16/82		PRODUCTION RELEASE

NOTE: UNLESS OTHERWISE SPECIFIED

- ALL RESISTANCE VALUES ARE IN OHMS UNLESS OTHERWISE SPECIFIED
- ALL CAPACITANCE VALUES ARE IN MICROFARADS

- (2)(4)(5)(7) 14H
- (3)(6)(17) 7H
- (4)(5)(11) 1EX7
- (4) 10.25-110
- (2)(4)(5) 10.25-110



DIMENSIONS AND TOLERANCES ARE IN MILLIMETERS UNLESS OTHERWISE SPECIFIED. DIMENSIONS IN PARENTHESES ARE IN INCHES.		THE APPLE COMPUTER, INC. LOGO AND THE APPLE COMPUTER, INC. NAME ARE TRADEMARKS OF APPLE COMPUTER, INC. THE APPLE COMPUTER, INC. NAME IS A REGISTERED TRADEMARK OF APPLE COMPUTER, INC.	
THE SCHEMATIC, MAIN LOGIC BOARD, APPLE IIc PLUS		MATERIALS LISTED IN THIS SCHEMATIC ARE APPROVED FOR USE IN THE APPLE IIc PLUS.	
DATE: 1/16/82		DRAWN BY: [Signature]	
CHECKED BY: [Signature]		APPROVED BY: [Signature]	
DATE: 1/16/82		DRAWN BY: [Signature]	
CHECKED BY: [Signature]		APPROVED BY: [Signature]	

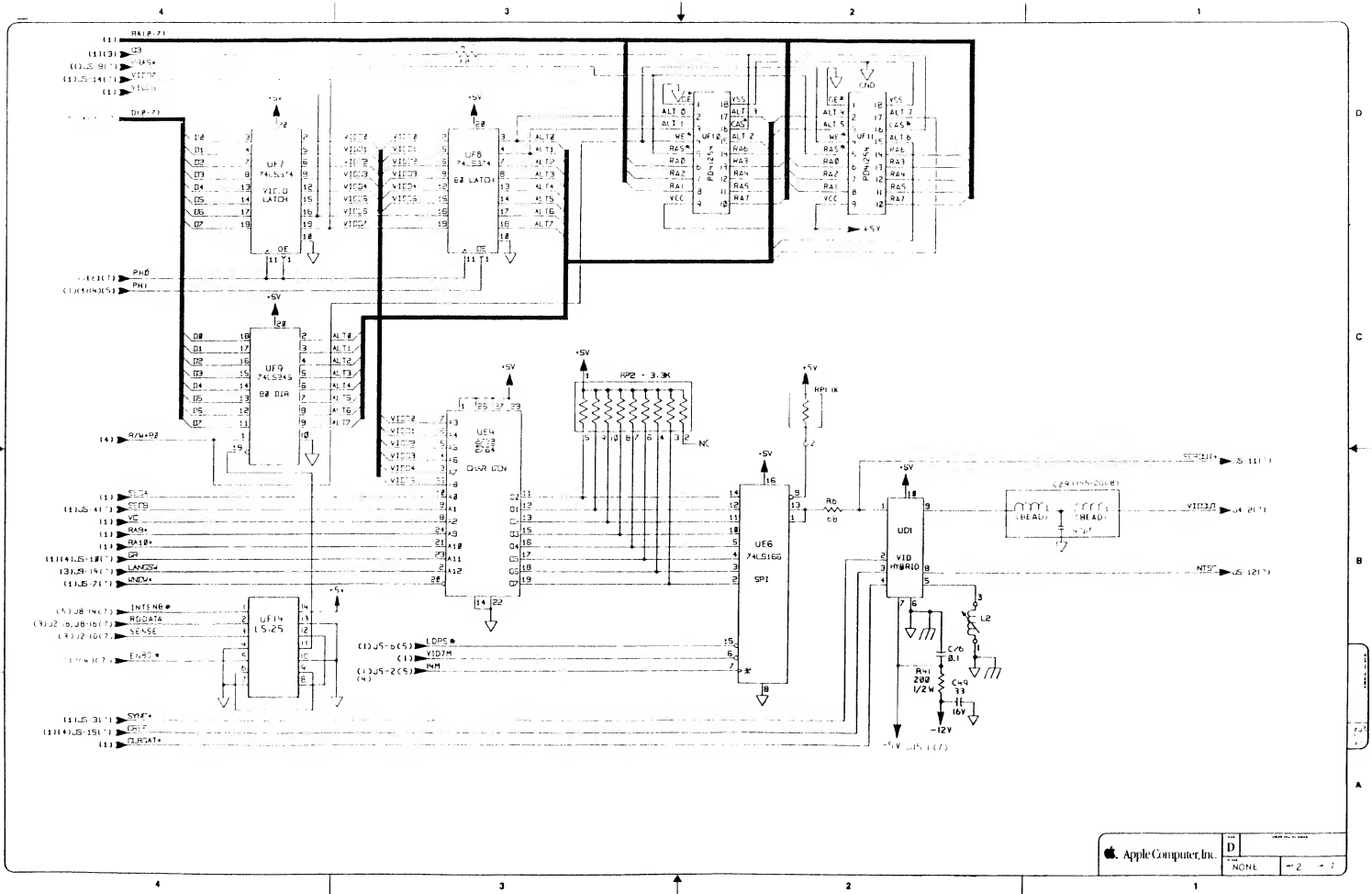


Figure 11-58 Schematic diagrams for the Apple IIc Plus (continued)

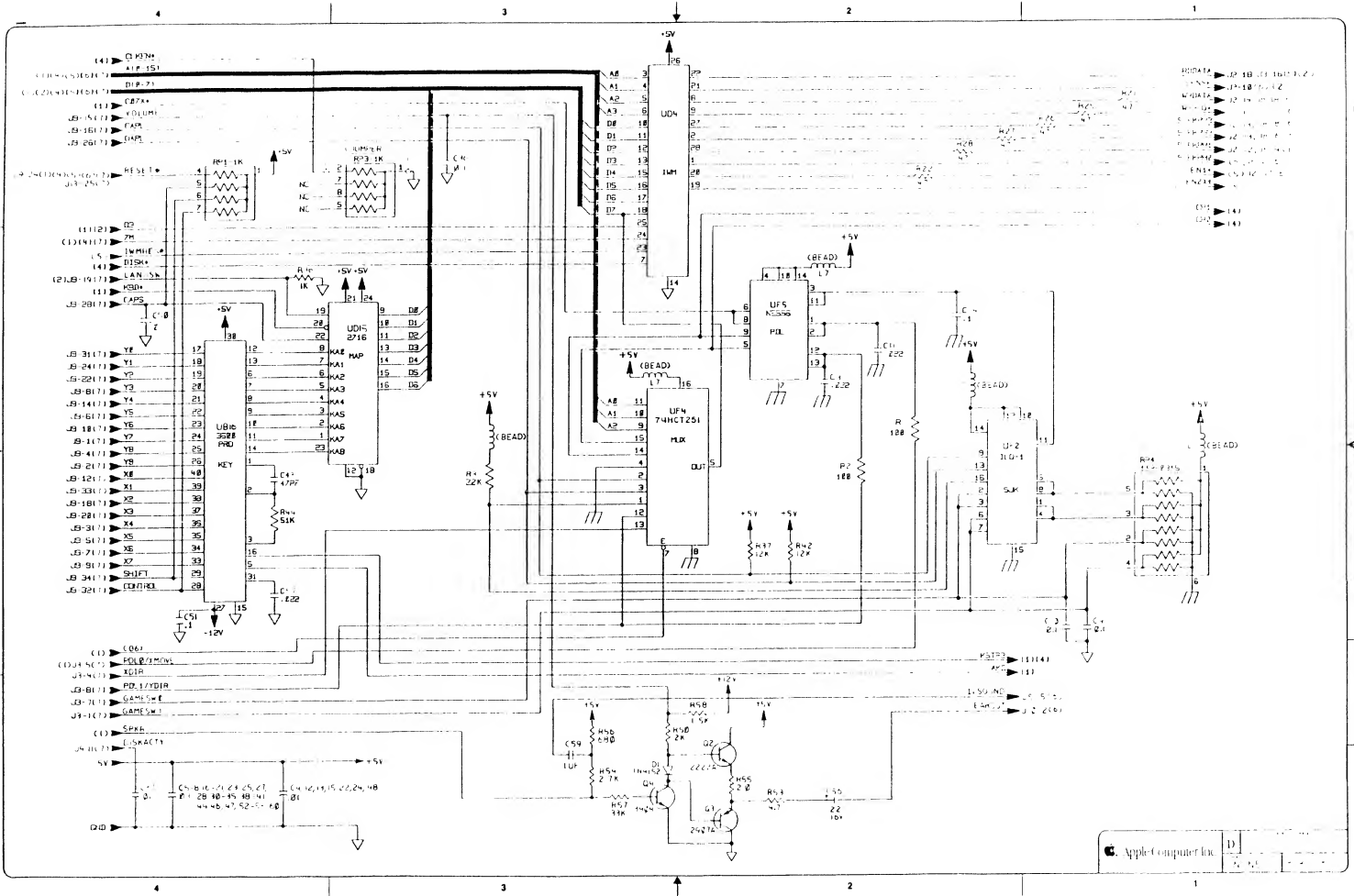


Figure 11-58 Schematic diagrams for the Apple IIc Plus (continued)



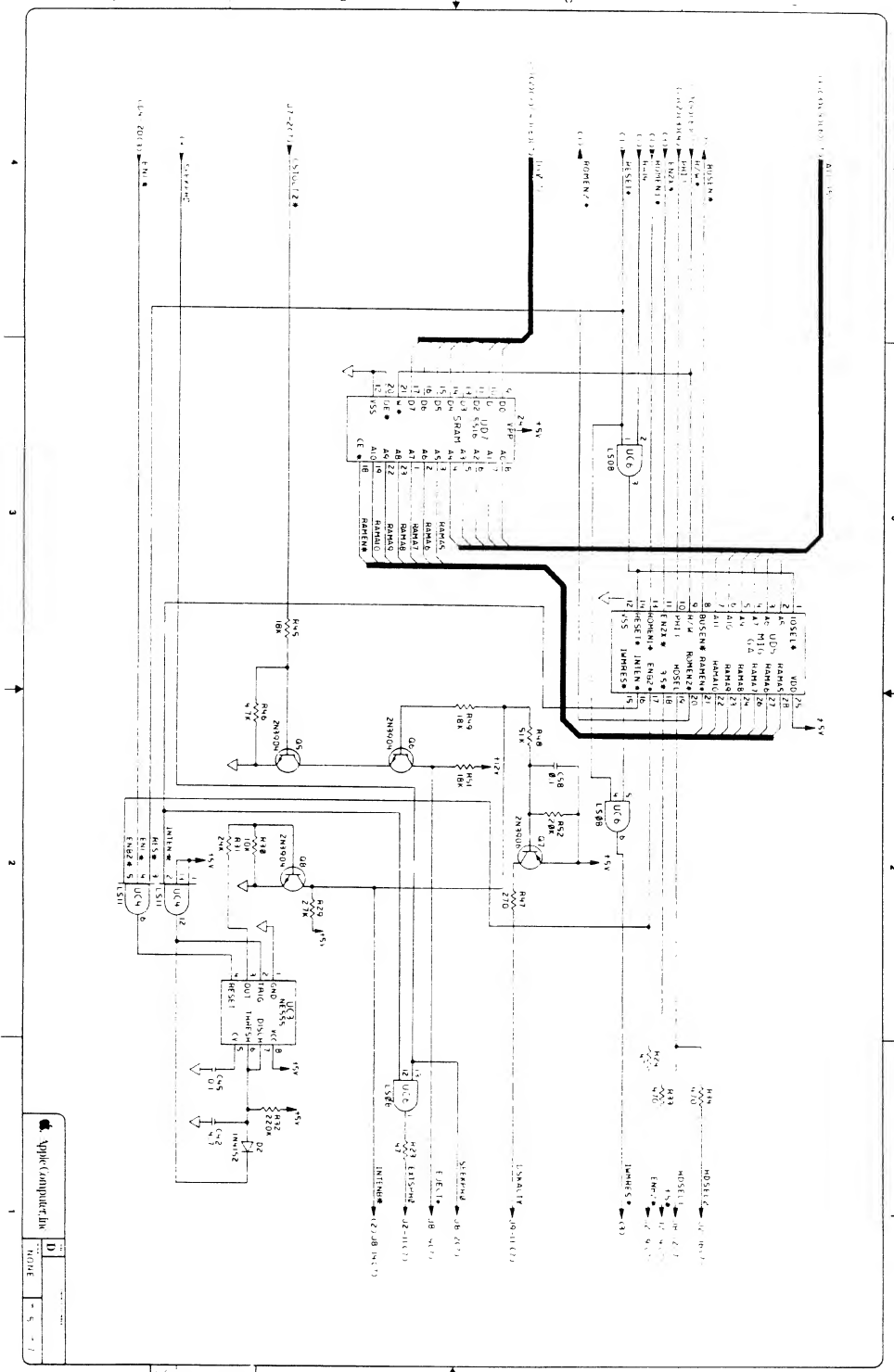
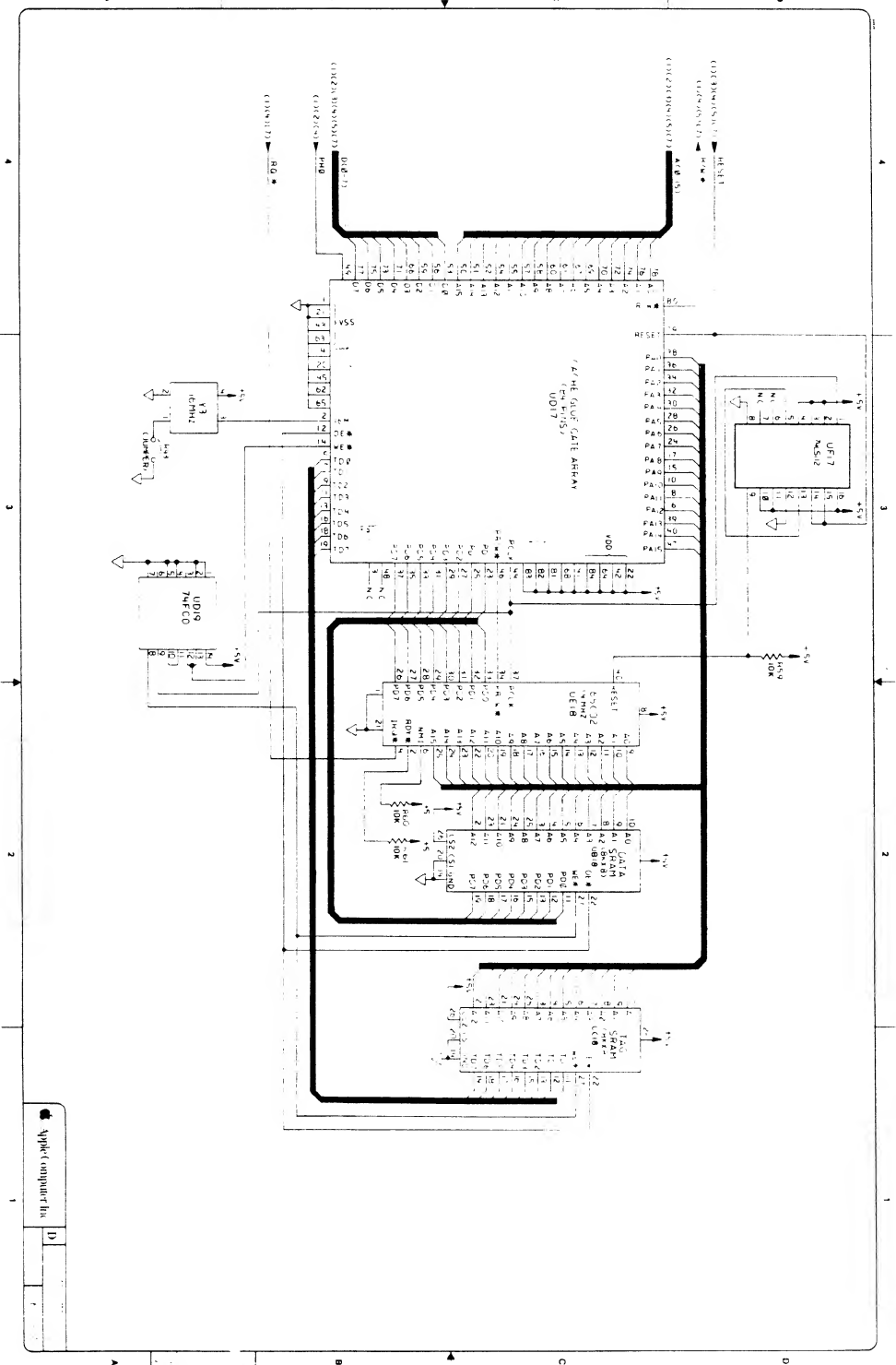


Figure 11-58 Schematic diagrams for the Apple IIc Plus (continued)

■ Figure 11-58 Schematic diagrams for the Apple IIc Plus (continued)



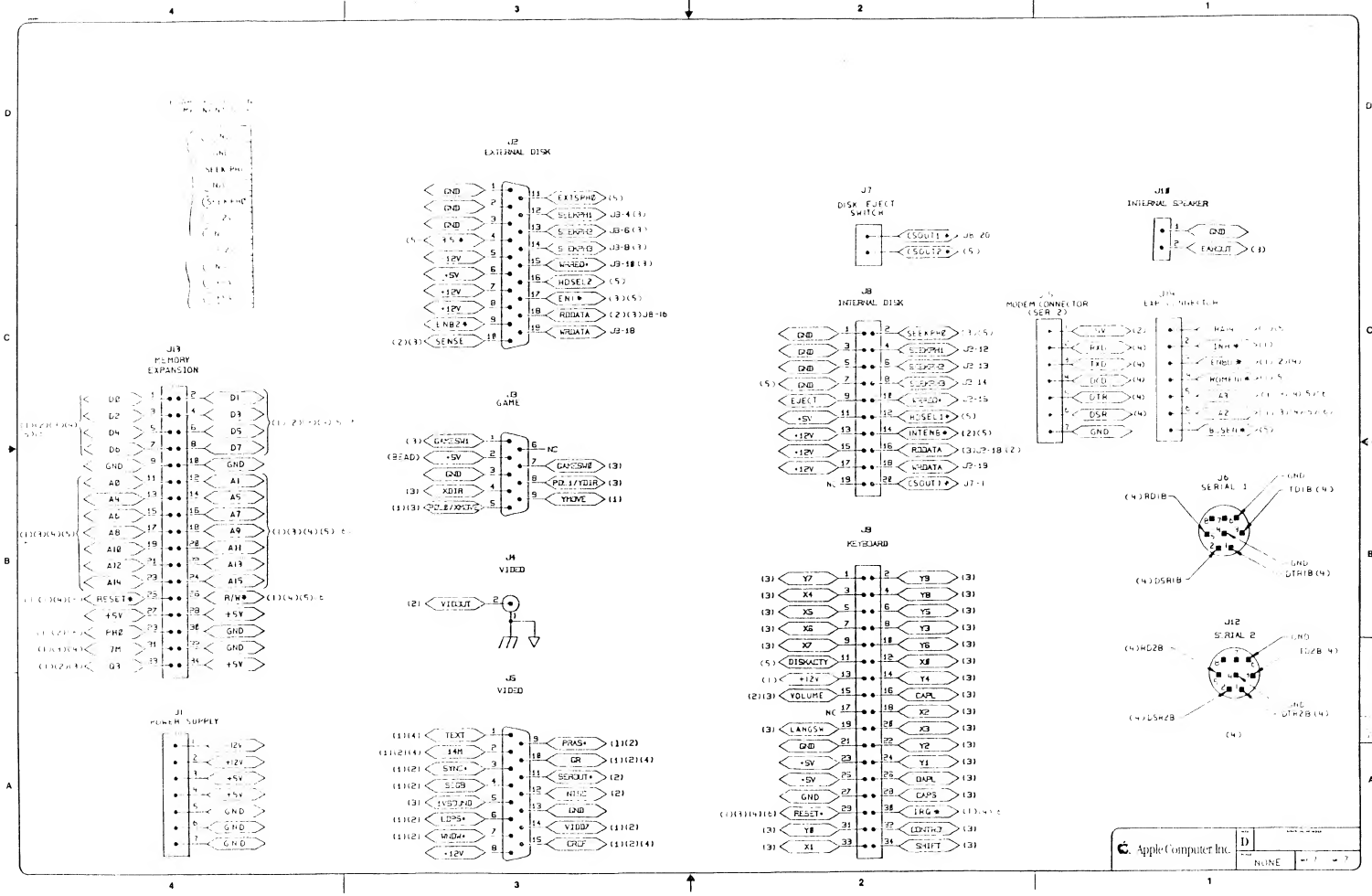


Figure 11-58 Schematic diagrams for the Apple IIc Plus (continued)