

# COLOR KIT INSTALLATION MANUAL FOR DL1200

## 1. OVERVIEW

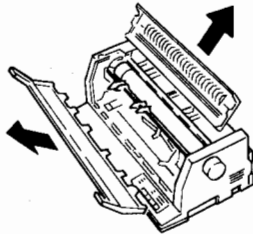
This manual describes procedures for installing conversion kits enabling color printing use.

## 2. REQUIREMENTS

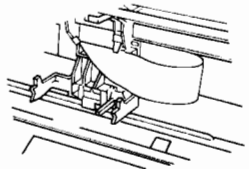
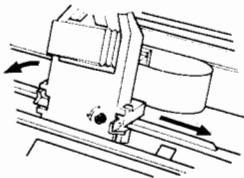
i Ribbon shift .....	1
ii Shift spring .....	1
iii Color ribbon cassette .....	1
iv Installation manual .....	1

## 3. PROCEDURE

- (1) Turn off printer power.
- (2) Open the top and front covers.

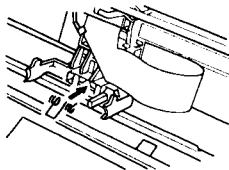


- (3) Slide the printer head carriage to the right so that it is no longer under the bail rollers. Remove the ribbon cassette, then take the print head cable off the holders on the carriage base.

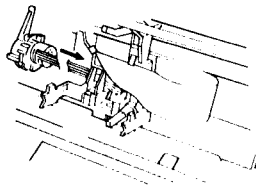


**WARNING:**  
The print head may still be hot if you have been printing.

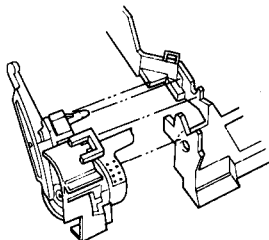
- (4) Attach the shift spring to the carriage base.



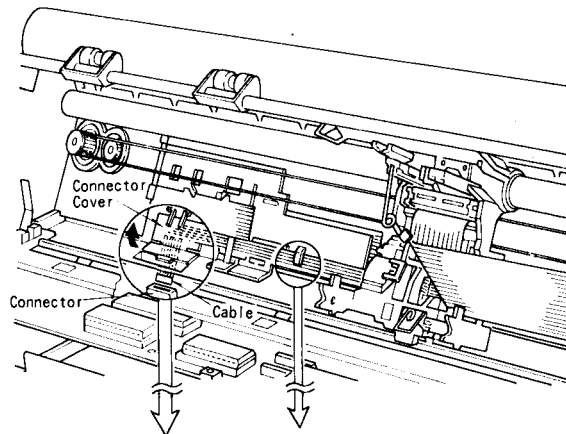
- (5) Move the ribbon shift to the left of the carriage, then pass the flat cable of the ribbon shift from lower left to upper right through the opening in the carriage base.



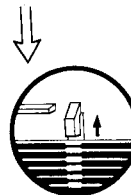
- (6) Install the ribbon shift guide pin into the guide hole of the carriage and the guide flange on the carriage into the guide groove on the ribbon shift, then push the ribbon shift right until the holder bracket clicks into place.



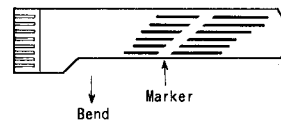
- (7) Pass the flat cable left under the print head carriage. If this is difficult, slide the carriage as far left as possible and clamp the flat cable using the two cable holders on the bottom of printer, then move the carriage back to the right.



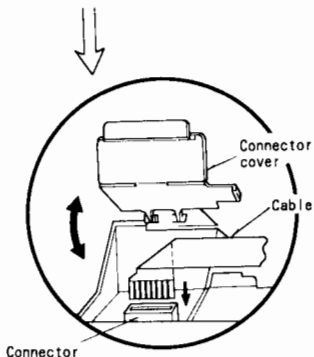
- (8) Arrange the flat cable so that its loop runs along inside the printer head cable, then align the mark on the flat cable with the holder.



- (9) The end of the flat cable bends along the marker.



- (10) Unlock and raise the front end of the connector cover to open it. Insert the end of the flat cable into the connector socket, bending the cable at a right angle toward the socket, and arrange the loop near the connector, then close the connector cover. Do not twist the cable. Insert the connector straight after bending the cable.



- (11) Move the carriage back and forth to check for slack or excessive tightness in the loop.