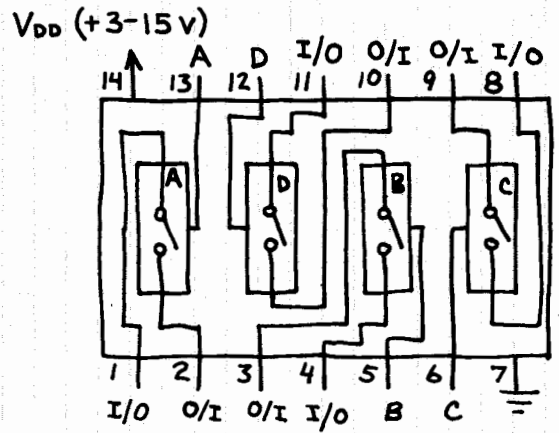
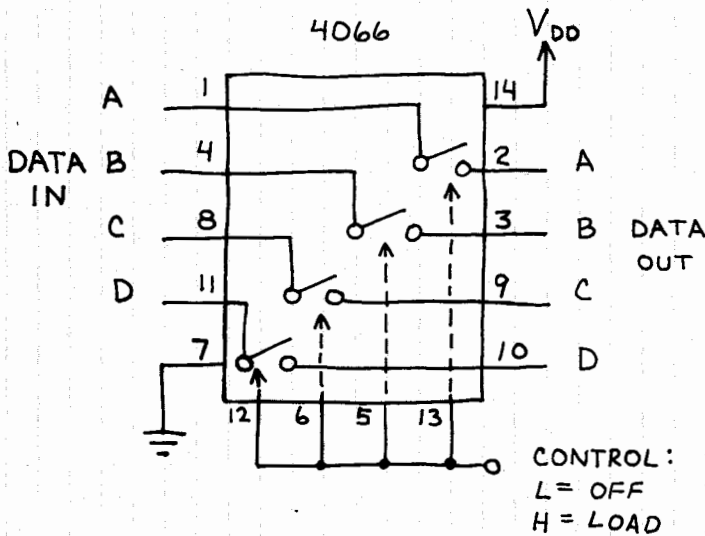


# QUAD BILATERAL SWITCH 4066

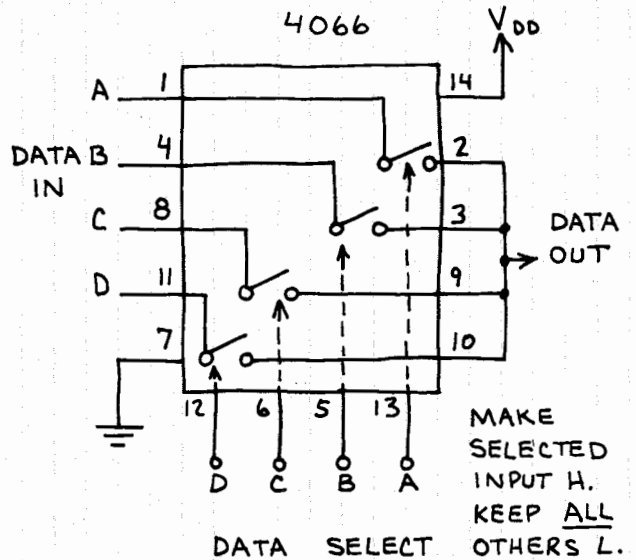
ONE OF THE MOST VERSATILE CMOS CHIPS. PINS A, B, C AND D CONTROL FOUR ANALOG SWITCHES. CLOSE A SWITCH BY CONNECTING ITS CONTROL PIN TO  $V_{DD}$ . ON RESISTANCE = 80-250 OHMS. OPEN A SWITCH BY CONNECTING ITS CONTROL PIN TO GROUND (PIN 7). OFF RESISTANCE =  $10^9$  OHMS. I/O (INPUT/OUTPUT) AND O/I PINS ARE REVERSIBLE.



## DATA BUS CONTROL



## DATA SELECTOR



## DIGITAL TO ANALOG (D/A) CONVERTER

