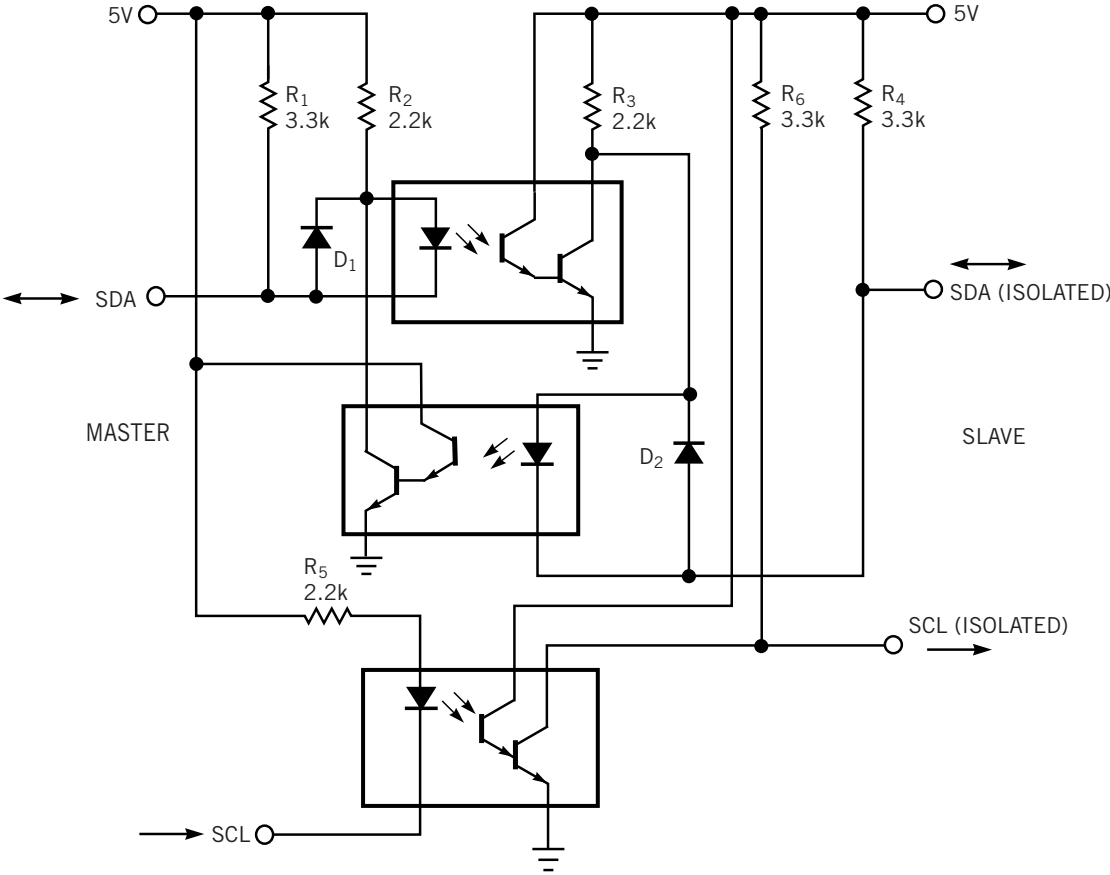


Figure 1



A handful of components provides an isolation barrier for the two wires of an I²C transmission interface.