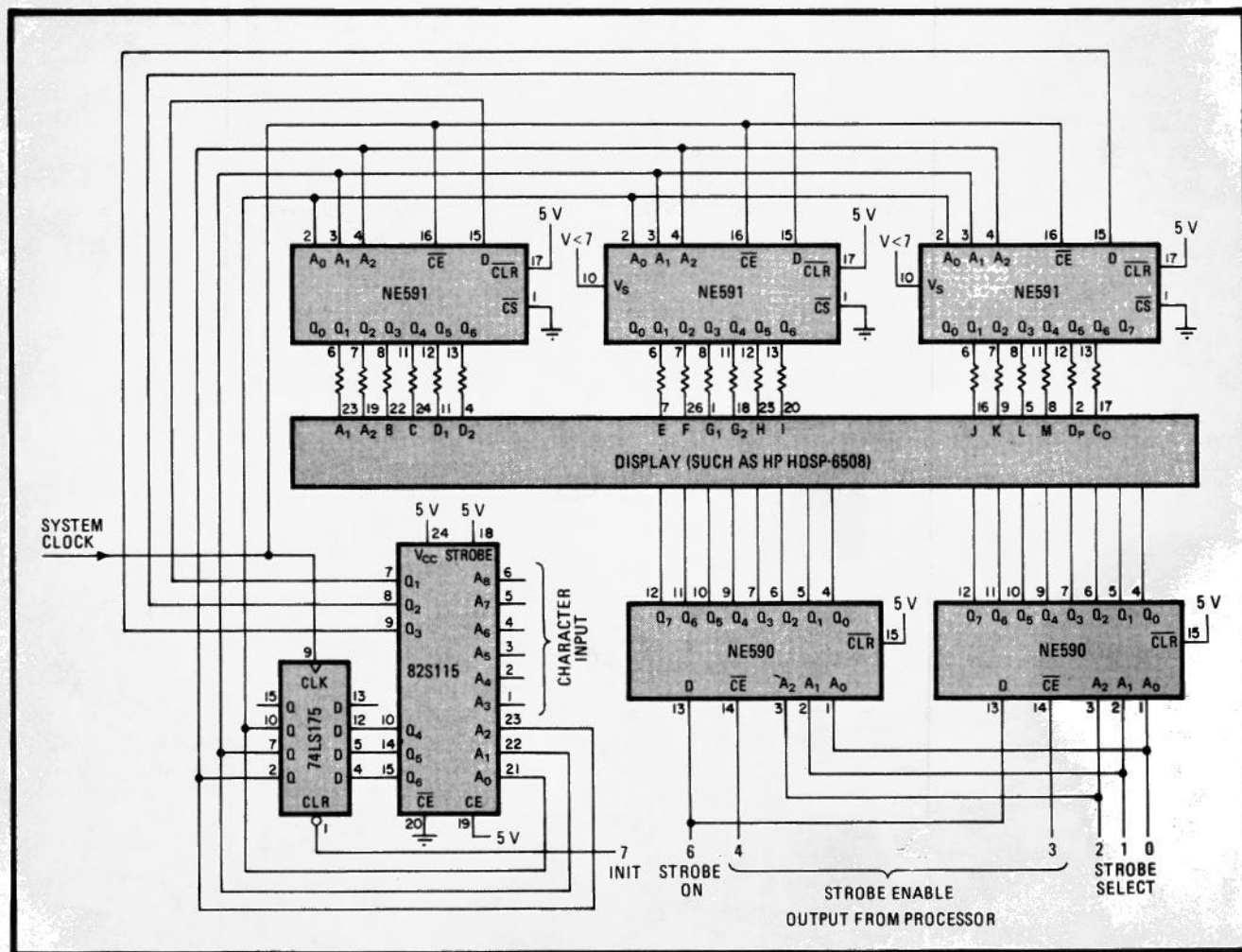


Low-cost alphanumeric decoder drives British-flag display

by S. Cash Olsen
Signetics Corp., Sunnyvale, Calif.

Converting 64-character ASCII into an 18-segment ("British-flag") display font, this microprocessor-controlled alphanumeric decoder is a low-priced (\$12) alternative to circuits costing up to five times as much. Most 18-segment displays (from Hewlett-Packard, Monsanto, and others) may be driven directly. And with the addition of high-breakdown output transistors to the driving circuitry, vacuum fluorescent panels and similar displays



Charting characters. Low-cost alphanumeric decoder converts ASCII symbols into 18-segment display representation. Segment information, stored as table in 82S115 PROM, is clocked out in 3-bit segments over six states for each character, placed in display via NE591 drivers at any location by NE590 strobe latches. PROM character-generation table outlines method utilized to create symbols.