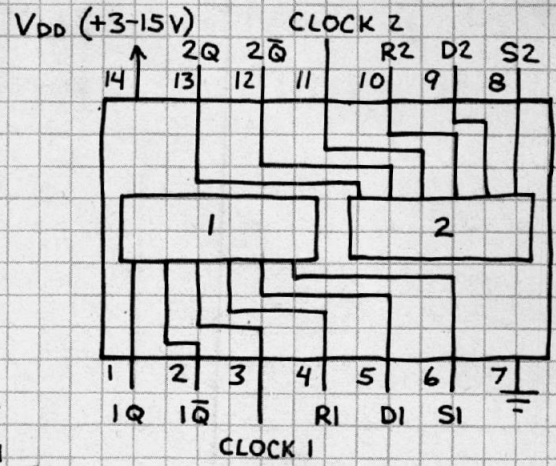
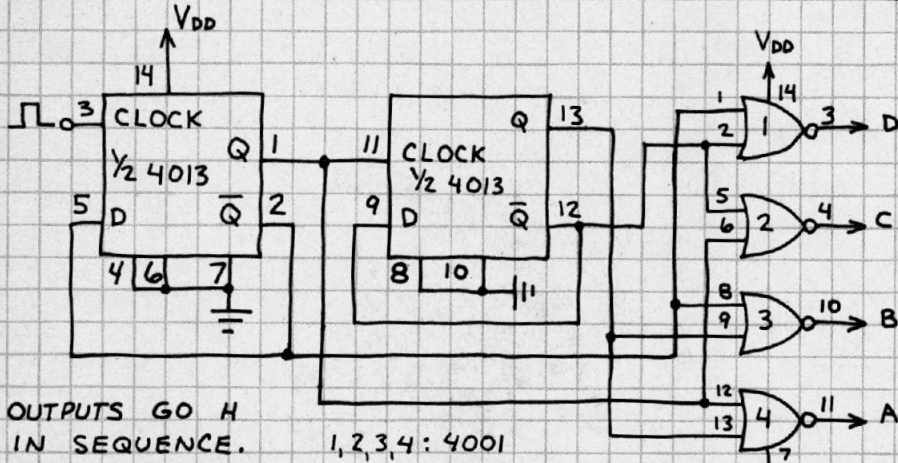


# DUAL D FLIP-FLOP 4013

VERY VERSATILE PAIR OF D-TYPE  
FLIP-FLOPS. GROUND UNUSED INPUTS.



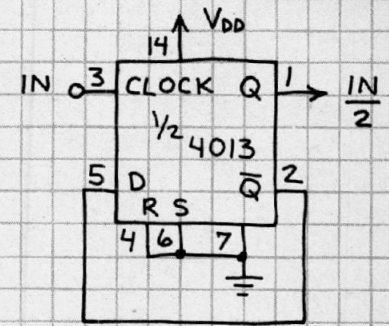
## 1-OF-4 SEQUENCER



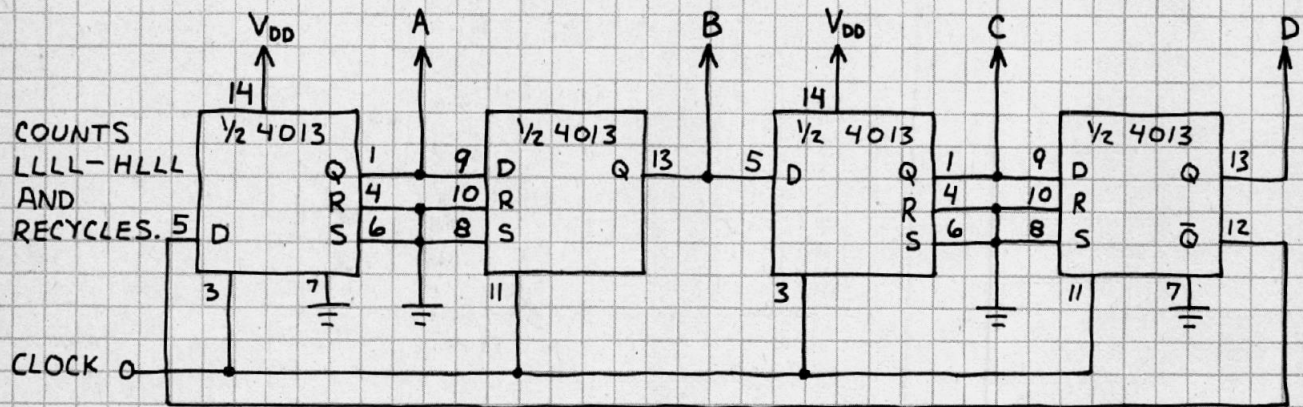
OUTPUTS GO H  
IN SEQUENCE.  
ALL OTHERS  
STAY L.

1,2,3,4: 4001

## DIVIDE-BY-2



## MODULO-8 COUNTER



COUNTS  
LLLL-HLLL  
AND  
RECYCLES. 5

## SERIAL IN/OUT, PARALLEL OUT SHIFT REGISTER

