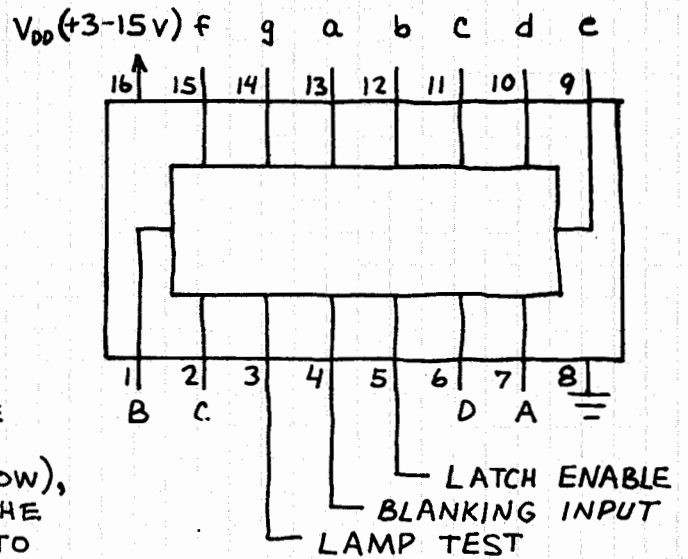


# BCD-TO-7-SEGMENT LATCH/DECODER/DRIVER 4511

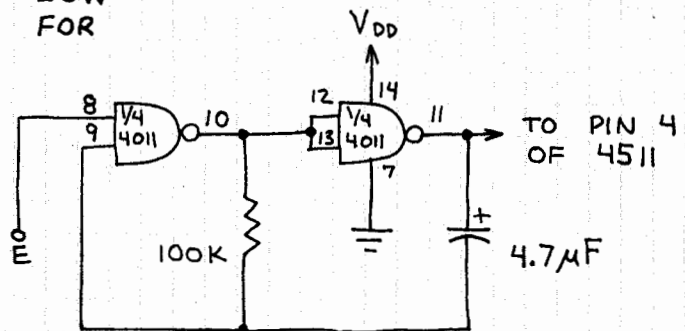
CONVERTS BCD DATA INTO FORMAT SUITABLE FOR PRODUCING DECIMAL DIGITS ON 7-SEGMENT LED DISPLAY. INCLUDES BUILT-IN 4-BIT LATCH TO STORE DATA TO BE DISPLAYED (WHEN PIN 5 IS HIGH). WHEN LATCH IS NOT USED (PINS 5 LOW), THE 7-SEGMENT OUTPUTS FOLLOW THE BCD INPUTS. MAKE PIN 4 LOW TO EXTINGUISH THE DISPLAY AND HIGH FOR NORMAL OPERATION. MAKE PIN 3 LOW TO TEST THE DISPLAY AND HIGH FOR NORMAL OPERATION.



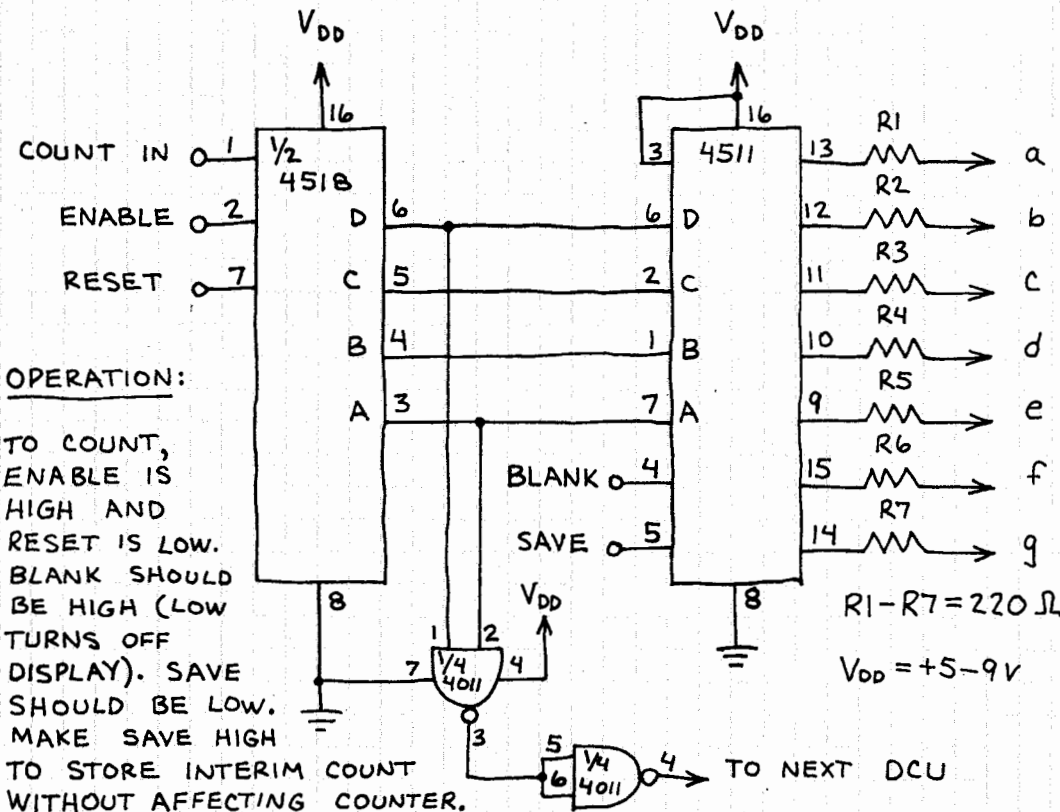
## DISPLAY FLASHER

DISPLAY FLASHES ONCE PER SECOND WHEN E IS HIGH.

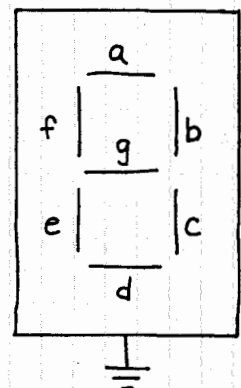
E	DISPLAY
H	FLASHES
L	OFF



## DECIMAL COUNTING UNIT (DCU)



IMPORTANT: ALL INPUTS MUST GO SOMEWHERE!



COMMON CATHODE LED DISPLAY

### OPERATION:

TO COUNT, ENABLE IS HIGH AND RESET IS LOW. BLANK SHOULD BE HIGH (LOW TURNS OFF DISPLAY). SAVE SHOULD BE LOW. MAKE SAVE HIGH TO STORE INTERIM COUNT WITHOUT AFFECTING COUNTER.