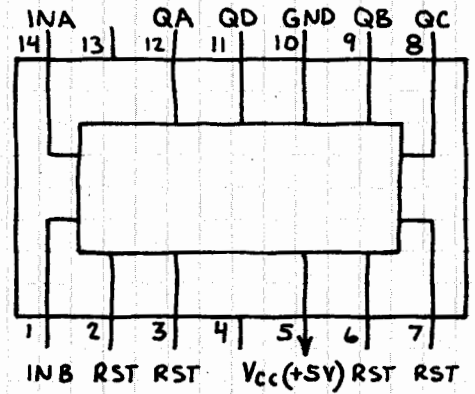
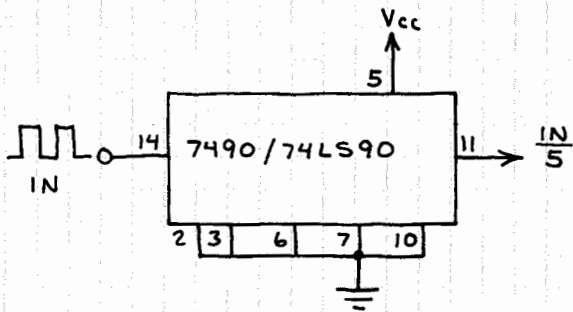


BCD (DECADE) COUNTER 7490/74LS90

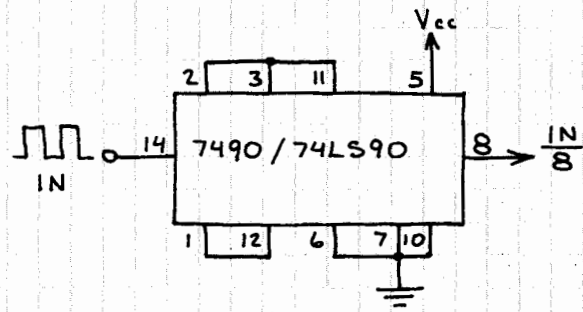
ONE OF THE MOST POPULAR DECADE COUNTERS. EASILY USED FOR DIVIDE-BY-N COUNTERS. LESS EXPENSIVE THAN MORE SOPHISTICATED COUNTERS. RST INDICATES RESET PINS. THIS CHIP IS USUALLY USED IN DECIMAL COUNTING UNITS, BUT CIRCUITS ON THIS PAGE SHOW MANY OTHER POSSIBILITIES.



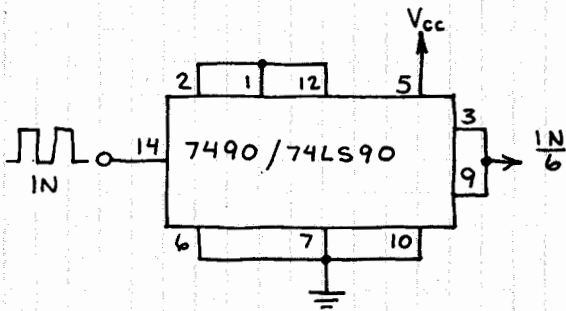
DIVIDE-BY-5 COUNTER



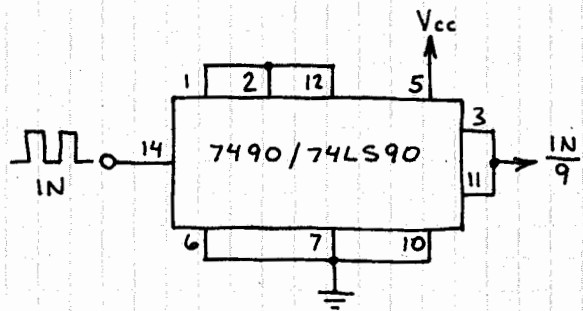
DIVIDE-BY-8 COUNTER



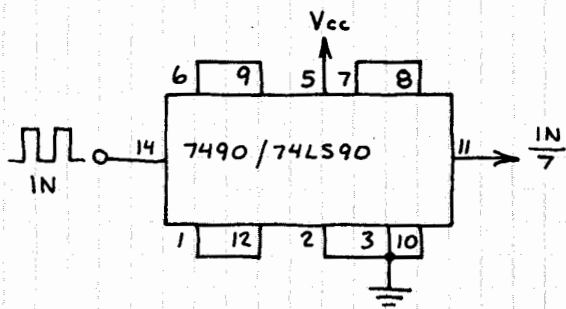
DIVIDE-BY-6 COUNTER



DIVIDE-BY-9 COUNTER



DIVIDE-BY-7 COUNTER



DIVIDE-BY-10 COUNTER

