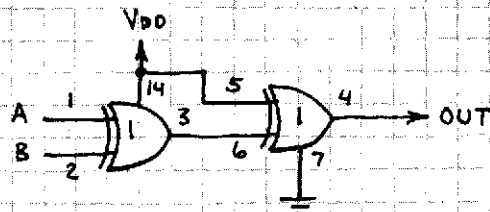
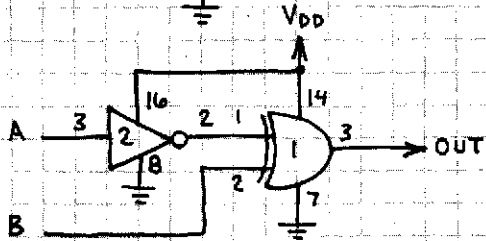
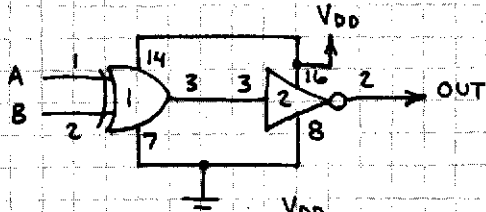


QUAD EXCLUSIVE-OR GATE (CONTINUED)

4070

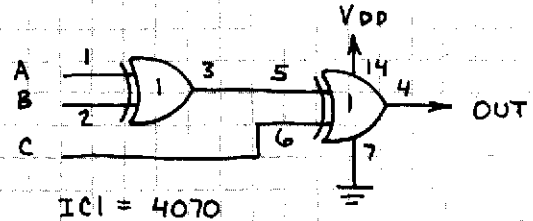
EXCLUSIVE-NOR



IC1 = 1/4 4070
IC2 = 1/6 4049

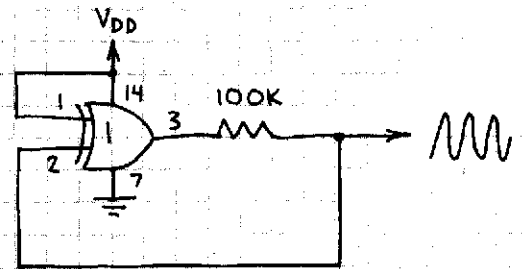
A	B	OUT
L	L	H
L	H	L
H	L	L
H	H	H

3-INPUT EX-OR



IC1 = 4070

10 MHz OSCILLATOR

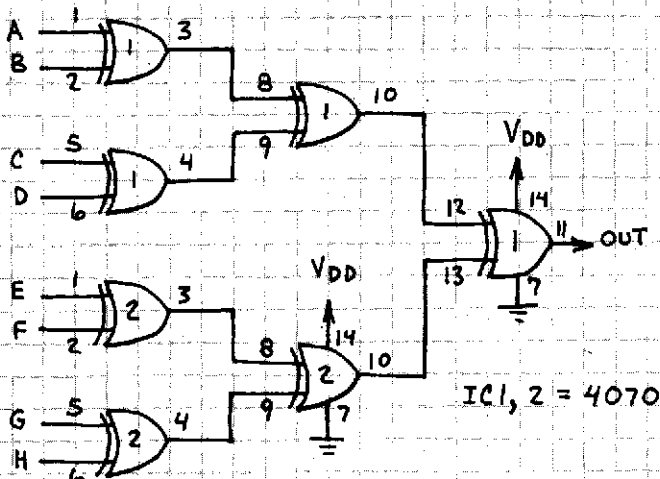


VDD = 3 TO 15 VOLTS

FREQUENCY VARIES WITH VDD :

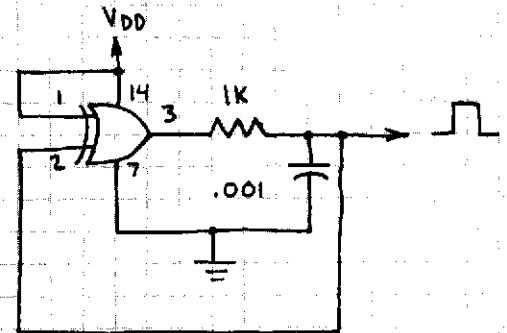
VDD	FREQUENCY	AMPLITUDE
5	2.4 MHz	3.5 V
10	9.4 MHz	8.0 V
15	11.0 MHz	12.0 V

8-INPUT EX-OR



IC1, 2 = 4070

SQUARE WAVE GENERATOR



VDD = 3 TO 15 VOLTS

RISETIME = 50 NANoseconds
FREQUENCY = 2 MHz WHEN
VDD = 10 VOLTS