



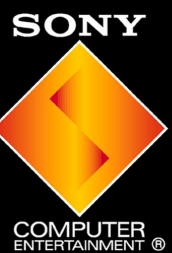
SCPH-30001
SCPH-30002
SCPH-30003
SCPH-30004

SCPH-30000 series

SERVICE MANUAL

2nd Edition

PlayStation®2



Sony Computer Entertainment Inc.
Customer Service Department
Published in Japan c 11. 2000 9-927-084-02

Reproduction Prohibited

NOTICE

Copyright by Sony Computer Entertainment Inc. All rights reserved. No reproduced and transferred required except permission by Sony Computer Entertainment Inc. No commercial use and rental required.

REVISIONS.

This manual compiled by first edition of SCPH-30001, -30002, -30003, -30004 B and C type design data. Design and Specification will be subject to changed without notice. The latest versions of service manual, Technical memo, Technical information should be used together.

SAFETY-RELATED COMPONENT WARNING !!

COMPONENTS IDENTIFIED BY MARK \triangle OR DOTTED LINE WITH MARK \triangle ON THE SCHEMATIC DIAGRAMS AND IN THE PARTS LIST ARE CRITICAL TO SAFE PERATION. REPLACE THESE COMPONENTS WITH SONY PARTS WHOSE PART NUMBERS APPEAR AS SHOWN IN THIS MANUAL OR IN SUPPLEMENTS PUBLISHED BY SONY.

ATTENTION AU COMPOSANT AYANT RAPPORT À LA SÉCURITÉ !

LES COMPOSANTS IDENTIFIÉS PAR UNE MARQUE \triangle SUR LES DIAGRAMMES SCHÉMATIQUES ET LA LISTE DES PIÈCES SONT CRITIQUES POUR LA SÉCURITÉ DE FONCTIONNEMENT. NE REMPLACER CES COMPOSANTS QUE PAR DES PIÈCES SONY DONT LES NUMÉROS SONT DONNÉS DANS CE MANUEL OU DANS LES SUPPLÉMENTS UBLIÉS PAR SONY.

CAUTION

Replace the battery with a Sony CR2032 battery. Use of any other type of battery may present the risk of fire or explosion. The battery may explode if mistreated. Do not recharge, disassemble, or dispose of in fire.

CAUTION

The use of optical instruments with this product will increase eye Hazard. As the laser beam used in this CD/DVD player is harmful To eyes, do not attempt to disassemble the cabinet. Refer servicing to qualified personnel only.

WARNING !!

WHEN SERVICING, DO NOT APPROACH THE LASER EXIT WITH THE EYE TOO CLOSELY. IN CASE IT IS NECESSARY TO CONFIRM LASER BEAM EMISSION, BE SURE TO OBSERVE FROM A DISTANCE OF MORE THAN 25 CM FROM THE SURFACE OF THE OBJECTIVE LENS ON THE OPTICAL PICK-UP BLOCK.

CAUTION

Use of controls or adjustments or performance of procedures other than those specified herein may result in hazardous radiation exposure.

CAUTION for electric shock

When power is ON, Don't touch to Power supply block, AC-inlet, Power switch and so on, not to get an electric shock at repair.

CAUTION for burning

When current is supplied, Some of part surface temperature like EE, GS, Regulator-IC, power supply, Optical device and so on. These part surface is become high temperature condition. When it repair, Don't touch them at a time during it surface is high temperature condition to take prevent against burning. Do repair after it is cooled down enough.

CAUTION

Danger of explosion if battery is incorrectly replaced. Replace only with the same or equivalent type recommended by the manufacturer. Discard used batteries according to the manufacturer's instructions.

ADVARSEL!

Lithiumbatteri - Eksplosjonsfare ved feilagtig håndtering. Udskiftning må kun ske med batteri af samme fabrikat og type. Levér det brugte batteri tilbage til leverandøren.

ADVARSEL

Eksplosjonsfare ved feilaktig skifte av batteri. Benytt samme batteritype eller en tilsvarende type anbefalt av apparatfabrikanten. Brukte batterier kasseres i henhold til fabrikantens instruksjoner.

VARNING

Explosionsfara vid felaktigt batteribyte. Använt samma batterityp eller en ekvivalent typ som rekommenderas av apparatillverkaren. Kassera använt batteri enligt fabrikantens instruktion.

VAROITUS

Paristo voi räjähtää, jos se on virheellisesti asennettu. Vaihda paristo ainoastaan valmistajan suosittelemaan tyyppiin. Hävitä käytetty paristo valmistajan ohjeiden mukaisesti.

SAFETY CHECK-OUT

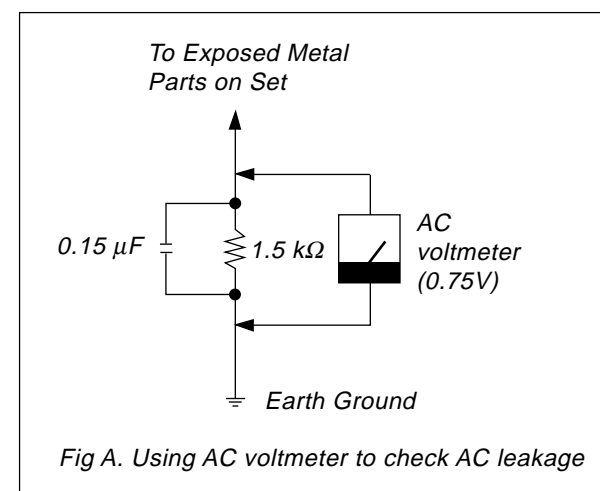
After correcting the original service problem, perform the following safety checks before releasing the set to the customer:

1. Check the area of your repair for unsoldered or cold-soldered connections. Check the entire board surface for solder splashes and bridges.
2. Check the inter board wiring to ensure that no wires are "pinched" or contact high-wattage resistors.
3. Look for unauthorized replacement parts, particularly transistors, that were installed during a previous repair. Point them out to the customer and recommend their replacement.
4. Look for parts which, though functioning, show obvious signs of deterioration. Point them out of the customer and recommend their replacement.
5. Check the line cord for cracks and abrasion. Recommend the replacement of any such line cord to the customer.
6. Check the b+ voltage to see it is at the values specified.
7. Check the antenna terminals, metal trim, "metalized" knobs, screws, and all other exposed metal parts for ac leakage. Check leakage as described below.

LEAKAGE

The AC leakage from any exposed metal part to earth ground and from all exposed metal parts to any exposed metal part having a Return to chassis, must not exceed 0.5 mA (500 micro-amperes). Leakage current can be measured by any one of three methods.

1. A commercial leakage tester, such as the SIMPSON 229 or RCA WT-540A. Follow the manufacturers' instructions to use these instruments.
2. A battery-operated AC milli-ammeter. The Data Precision 245 digital multi-meter is suitable for this job
3. Measuring the voltage drop across a resistor by means of a VOM or battery-operated ac voltmeter. The "limit" indication is 0.75V, so analog meters must have an accurate low-voltage scale. The SIMPSON 250 and SANWA SH-63TRD are examples of a passive VOM that is suitable. Nearly all battery operated digital multi-meters that have a 2V AC range are suitable.



NOTIFICATION for environmental assessment

This model is CR2032 lithium battery onboard inside on the GD MOUNT as Timer backup power. CR2032 life may be about 5 to 8 years so you have very few need for changing to new one. But if you have necessary to replaced to new one or disassemble for scrapping, you have to keep your country low, regulation, standard, etc. of environmental assessment and safty.



2

MEMORY CARD

1

MEMORY CARD

S4005



TABLE OF CONTENTS

**SECTION 1
SPECIFICATIONS**

SCPH-30001 (B, B')

1. Table of Contents and Specifications 1

2. Exploded Views

 Switch, Overall and Main Block (1) 2

 Switch, Overall and Main Block (2) 3

 MD Block 4

3. Block Diagram 5

4. Printed Wiring Boards and Schematic Diagrams

 This Note is Common for Printed Wiring boards and
 Schematic diagrams 6

 GH-004/005 7

 GD-011 19

 GD-012 21

 GM-041 23

 GI-004 26

 SW-350 28

 FREKI 29

 IC Block Diagrams 30

5. Electrical Parts List 34

SCPH-30001 (C)

SCPH-30002/30003/30004 (C, C')

General

Power requirements

120 V AC, 60 Hz

Power consumption

79 W

Dimensions

301 × 78 × 182 mm (w/h/d)

Mass

2.4 kg

Inputs/ Outputs on the front

Controller ports (2)

Memory card slots (2)

USB ports (2)

S400 (i-Link) port (1)

Inputs/Outputs on the rear

HDD bay slot (1)

Outputs on the rear

AV Multi out port (1)

RGB, Ycbr, Y/C, Composite-video,
Audio-L/R, XGA

Digital out port (1)

Optical audio

Supplied accessories

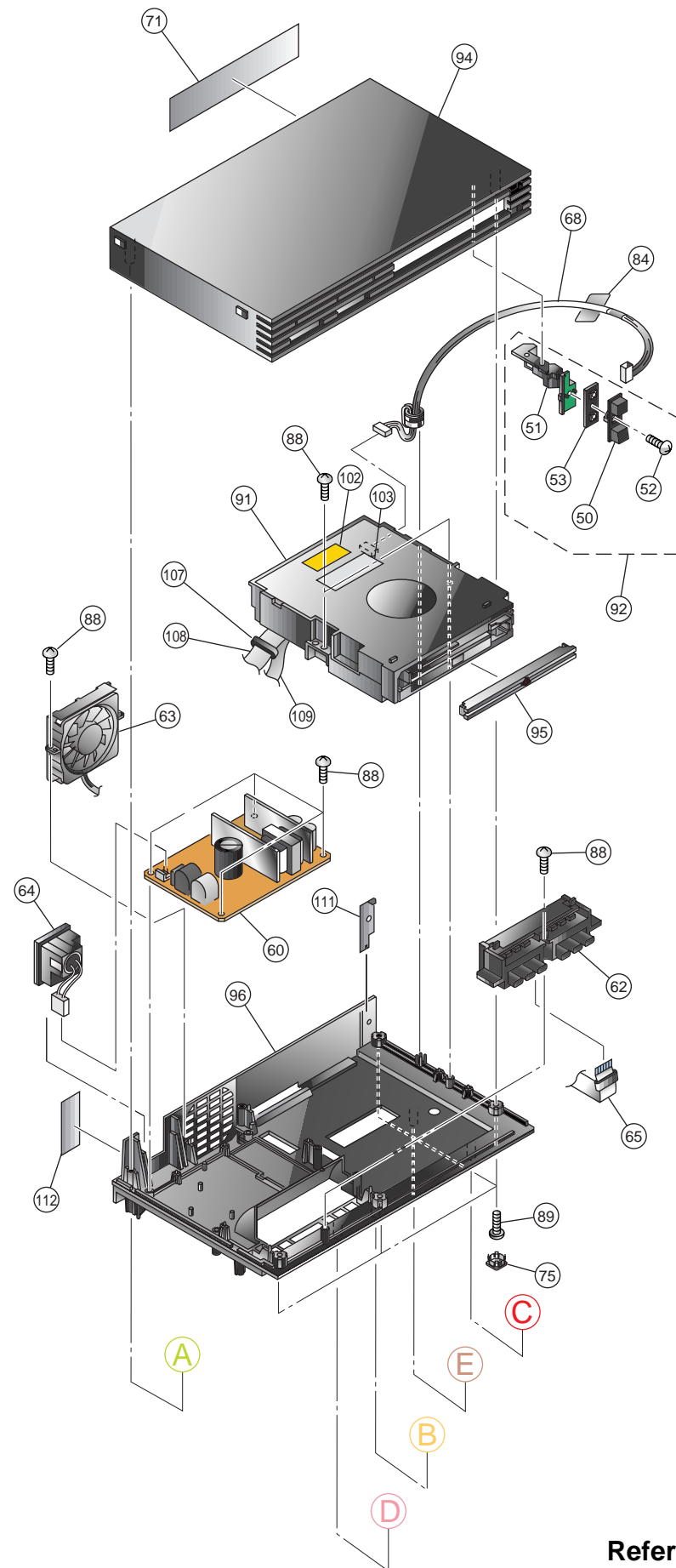
AC power cord (1)

A/V connecting cable (1)

Dualshock2 Analog controller (1)

SECTION 2 EXPLODED VIEWS

Switch, Overall and Main Block (1)



CAUTION

The components identified by mark \triangle or dotted line with mark \triangle are critical for safety. Replace only with part number specified.

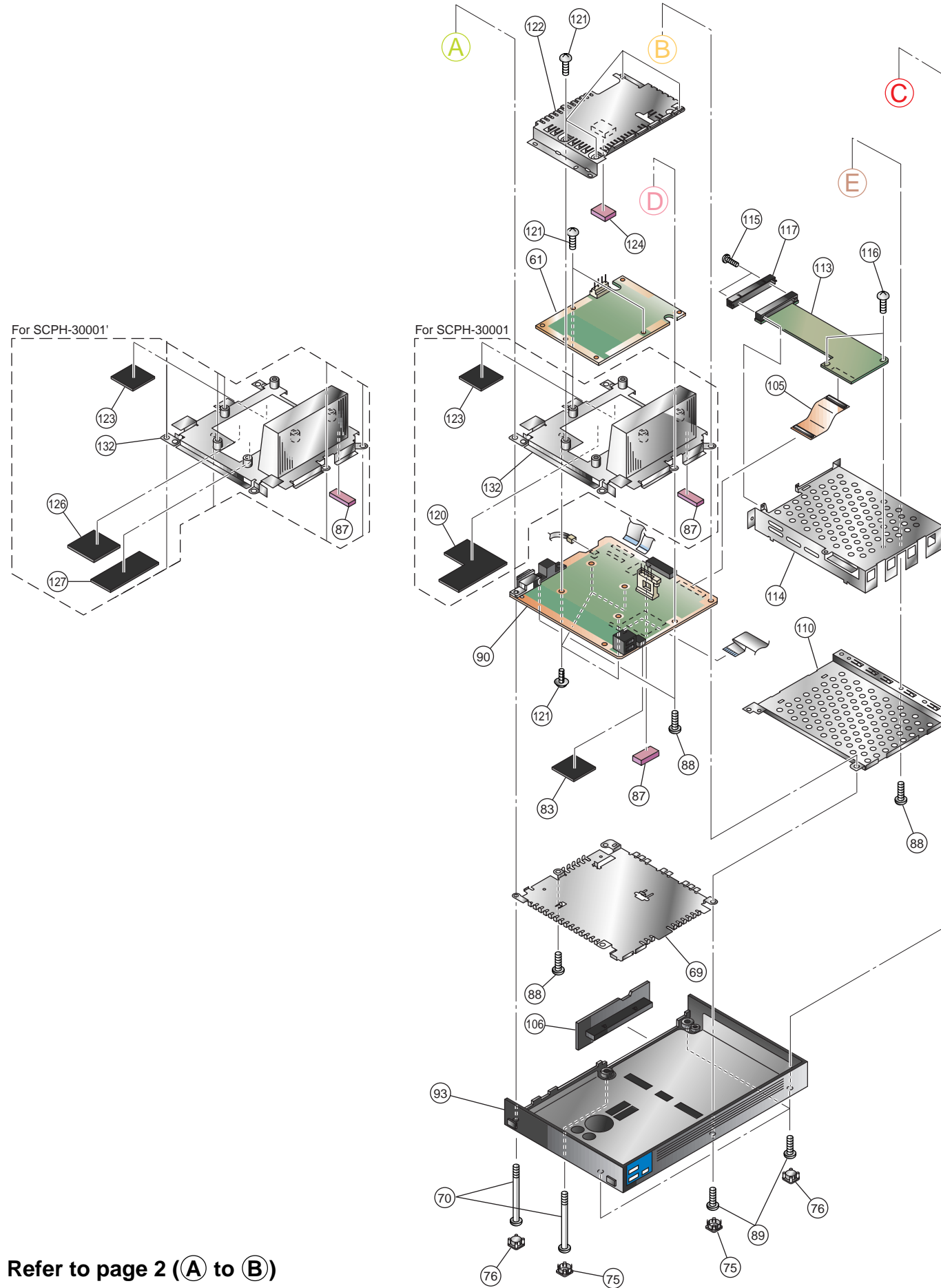
CAUTION :
Use of controls or adjustments or performance of procedures other than those specified herein may result in hazardous radiation exposure.

SWITCH, OVERALL AND MAIN BLOCK (1)

Ref-No.	Part No.	Description	Remark	Place code
50	3-059-665-0□	BUTTON, SWITCH		#25SW
51	3-059-666-0□	BRACKET, SWITCH		#25SW
52	7-685-105-11	TPG +P 2X8, TYPE 2, NON-SLIT		#25SW
53	A-6712-759-A	SW-350 MOUNT		#25SW
\triangle 60	1-468-563-□□	POWER BLOCK		#00
62	1-694-767-□□	TERMINAL BOARD (FRONT)		#17
63	1-763-480-□□	DC.FAN		#74
\triangle 64	1-771-994-□□	SWITCH, POWER (WITH AC INLET)		#00
65	1-792-491-□□	CABLE, FLEXIBLE FLAT (FFC-290)		#12
68	1-960-977-□□	HARNESS (HS-056)		#16
71	3-064-825-□□	LABEL, MODEL NUMBER		#87
75	3-059-626-□□	COVER, SCREW		#22
84	3-060-398-□□	TAPE, HARNESS STOPPER		#88
88	3-325-679-21	SCREW, TAPPING +BV 3X12		#87
89	3-325-679-91	SCREW, TAPPING +BV 3X16		#87
91	A-6705-089-A	MD BLOCK ASSY		#10
92	A-6705-077-A	SWITCH BLOCK ASSY		#25SW
94	X-3951-096-□	COVER ASSY, UPPER		#87
95	X-3951-099-□	PLATE ASSY, ORNAMENTAL		#87
96	X-3951-100-□	CHASSIS ASSY		#87
\triangle 102	3-969-533-□□	LABEL, CAUTION SERIAL (NO.)		#88
\triangle 103	3-976-231-□□	LABEL, CAUTION		#88
107	1-400-038-11	CORE, FERRITE		#12
108	1-757-474-11	CABLE, FLEXIBLE FLAT (FFC-003)		#12
109	1-757-475-11	CABLE, FLEXIBLE FLAT (FFC-005)		#12
111	3-066-103-□□	BRACKET (B), UNIT		#16
112	3-066-253-□□	TAPE, VOID		#87

Refer to page 3 (A) to (B)

Switch, Overall and Main Block (2)

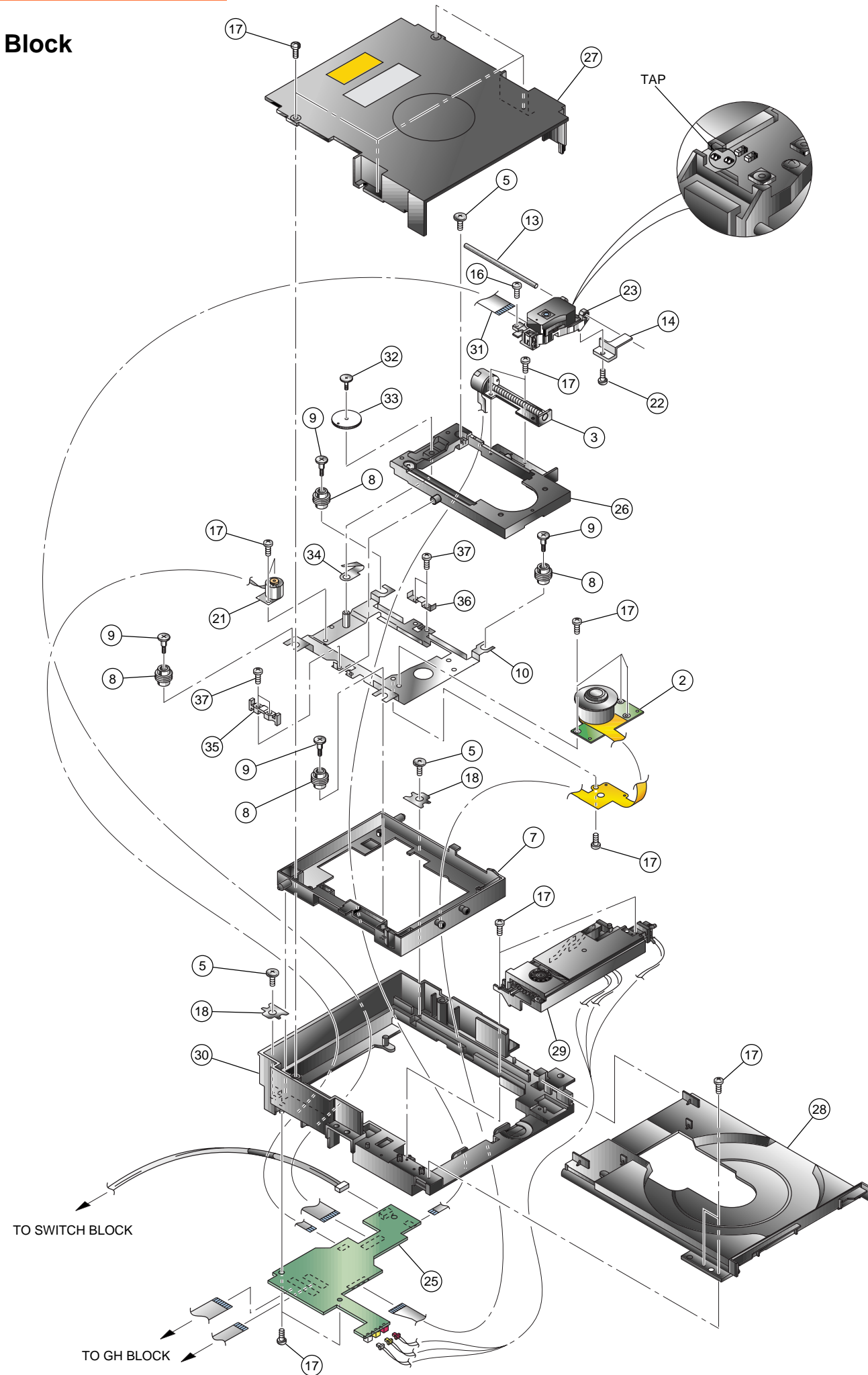


SWITCH, OVERALL AND MAIN BLOCK (2)

Ref-No.	Part No.	Description	Remark	Place code
61	1-528-174-41	BATTERY, LITHIUM(CR2032)		#25GD
69	3-064-824-□□	SHIELD (B)		#16
70	3-059-622-□□	SCREW (M3X54), HEAD TAPPING		#87
75	3-059-626-□□	COVER, SCREW		#22
76	3-059-627-□□	CAP		#22
83	3-060-388-□□	SHEET, FERRITE		#87
87	3-064-839-□□	SHEET (H), ELECTRIC HEAT		#87
88	3-325-679-21	SCREW, TAPPING +BV 3X12		#87
89	3-325-679-91	SCREW, TAPPING +BV 3X16		#87
90	A-6712-760-A	GH-004 MOUNT	for SCPH-30001(A-6785-053-A)	#25GH
90	A-6712-816-A	GH-005 MOUNT	for SCPH-30001'(A-6785-101-A)	#25GH
93	X-3951-097-□	COVER ASSY, LOWER		#87
105	1-680-147-□□	PWB, FP-324 FLEXIBLE		#12
106	X-3951-316-□	LID ASSY		#87
110	3-064-847-□□	SHIELD (LOWER)		#16
113	A-6712-780-A	GI-004 MOUNT		#25GI
114	X-3951-093-□	FRAME (UPPER) ASSY		#87
115	3-065-998-01	SCREW (M2X9), UNIT		#87
116	3-065-999-01	SCREW (M2X1.4), UNIT		#87
117	3-066-273-01	COVER, CONNECTOR		#25GI
120	3-059-652-01	SHEET (A), ELECTRIC HEAT	for SCPH-30001(A-6785-053-A)	#25GH
121	3-061-309-01	SCREW(M2x6), PAN		#25GI
122	3-064-833-0□	SHIELD(C)#25GD		#25GD
123	3-064-837-0□	SHEET (J), ELECTRIC HEAT		#25GH
124	3-066-011-0□	SHEET (M), ELECTRIC HEAT		#25GD
126	3-066-277-01	SHEET (P), ELECTRIC HEAT	for SCPH-30001'(A-6785-101-A)	#25GH
127	3-066-278-0□	SHEET (Q), ELECTRIC HEAT	for SCPH-30001'(A-6785-101-A)	#25GH
129	A-6712-761-A	GD-011 MOUNT	for SCPH-30001(A-6785-053-A)	#25GD
129	A-6712-817-A	GD-012 MOUNT	for SCPH-30001'(A-6785-101-A)	#25GD
132	X-3951-094-□	SHIELD(A) ASSY		#25GH
133	1-815-122-1□	CONNECTOR 4P		#25GH

Refer to page 2 (A to B)

MD Block



MD BLOCK

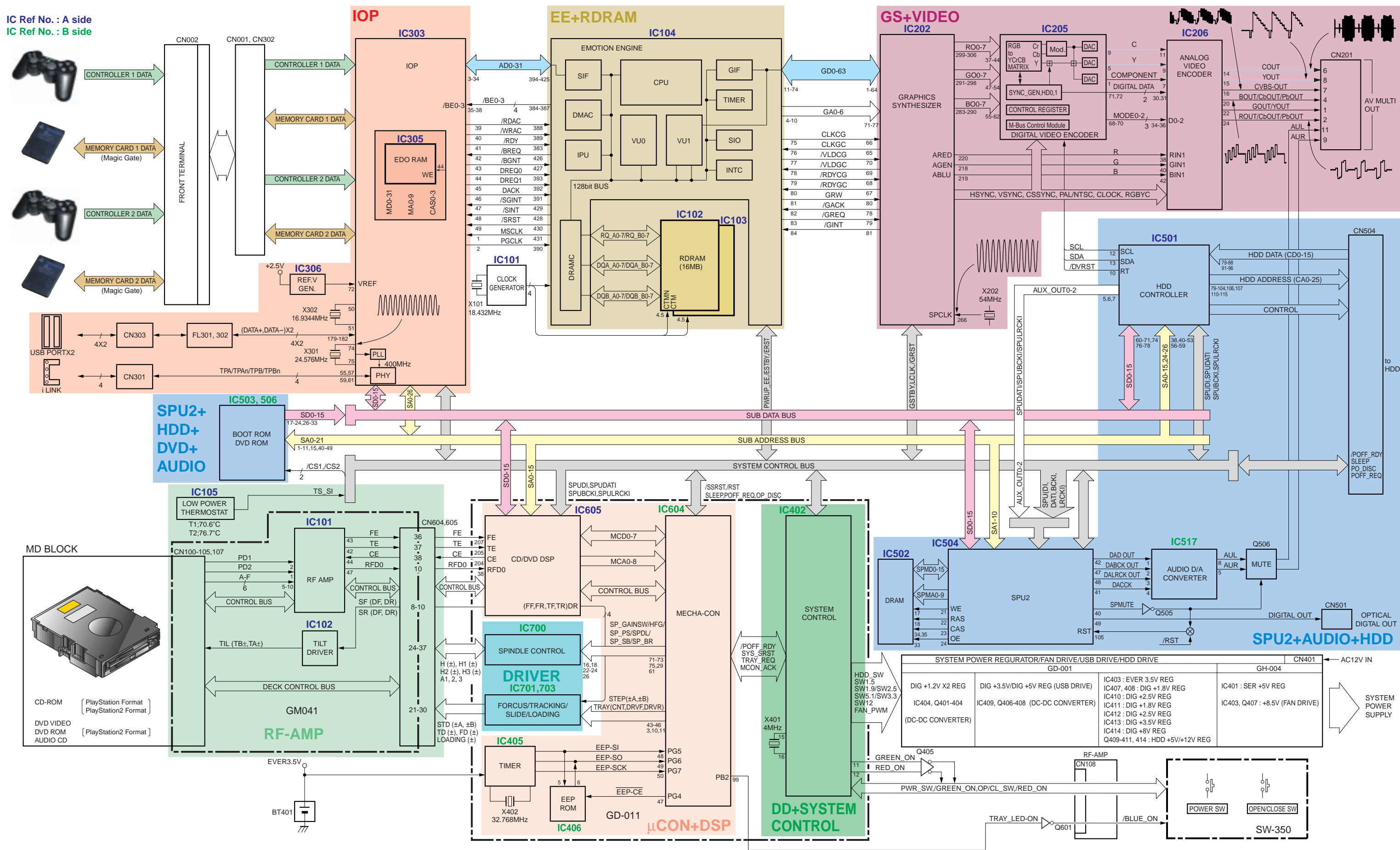
Ref-No.	Part No.	Description	Remark	Place code
2	1-763-610-□□	MOTOR, DC (SPINDLE)		#10SP
3	1-763-639-□□	MOTOR, DC		#10
5	3-059-845-01	SCREW (B2X6.5), SHAFT RETAINER		#10
7	3-065-275-□□	FRAME, SUB		#10
8	3-065-277-□□	INSULATOR		#10
9	3-065-276-□□	SCREW, STEP		#10
10	X-3951-151-□	CHASSIS ASSY, MAIN		#10
13	3-059-854-0□	SHAFT, MAIN		#10
14	3-059-855-0□	RACK		#10
16	3-060-399-0□	SCREW, SKEW		#10
17	3-060-400-01	TAPPING (B2X6.5)		#10
18	3-065-281-□□	SHEET, SHAFT RETAINER		#10
21	1-763-613-□□	MOTOR, DC (TILT)		#10
22	3-062-728-01	0 PLATE 3 MAIN M2X3.2		#10
△ 23	8-820-141-□□	DEVICE, OPTICAL KHS-400B		#10OP
25	A-6712-775-A	GM-041 MOUNT		#10
26	X-3951-152-□	CHASSIS ASSY, SUB		#10
27	X-3951-154-□	BRACKET ASSY, PULLEY		#10
28	X-3951-153-□	TRAY ASSY		#10TR
29	X-3951-156-□	BOX ASSY, GEAR		#10GB
30	3-065-271-□□	FRAME, MAIN		#10
31	1-680-370-□□	PWB, FLEXIBLE		#10
32	3-065-279-□□	SCREW, CAM RETAINER		#10
33	3-065-278-□□	CAM, TILT		#10
34	3-065-280-□□	SPRING (TILT), PLATE		#10
35	3-065-282-□□	GUIDE (L)		#10
36	3-065-283-□□	GUIDE (R)		#10
37	3-065-557-01	SCREW (M2X6.0)		#10
38	3-065-274-0□	CAM, SLIDE		#10GB
39	3-065-505-0□	BELT, RUBBER		#10GB

CAUTION

There are 2 taps behind Optical device for prevent the damage from static electricity. these are usually shorted by solder when it shipping factory. When You use the Optical device for repair, You have to open the 2 taps by melting solder.

In s case of the slide-cam (Ref.38) or the rubber belt (Ref.39) in the gear box assy broken, The slide-cam or The rubber belt should be exchanged itself, not Gear box assy. When you exchange the feed DC-motor or Sub-chassis assy for repair, You have to grease Floil (SG474BY or a similar articles) up to Feed motor sledding gear and Sub-shaft.

SECTION 3 BLOCK DIAGRAM



SECTION 4 PRINTED WIRING BOARDS AND SCHEMATIC DIAGRAMS

THIS NOTE IS COMMON FOR PRINTED WIRING BOARDS AND SCHEMATIC DIAGRAMS.

Note on Printed Wiring Boards :

- Through hole is omitted.
- : Pattern on the side which is seen.

Note on Schematic Diagram :

- Use caution when replacing chip parts.
New parts must be attached after removal of chip.
Be careful not to heat the minus side of tantalum capacitor, because it is damaged by the heat.
- All capacitors are in μF unless otherwise noted. pF : $\mu\mu\text{F}$ 50 WV or less are not indicated except for electrolytics and tantalums.
- All resistors are in Ω and 1/4 W (Chip resistors : 1/10W) unless otherwise specified.
- Chip resistors are 1/8 W or 1/10 W unless otherwise noted.
k Ω : 1000 Ω , M Ω : 1000 k Ω .

Note :

The components identified by mark \triangle or dotted line with mark \triangle are critical for safety. Replace only with part number specified.

Note :

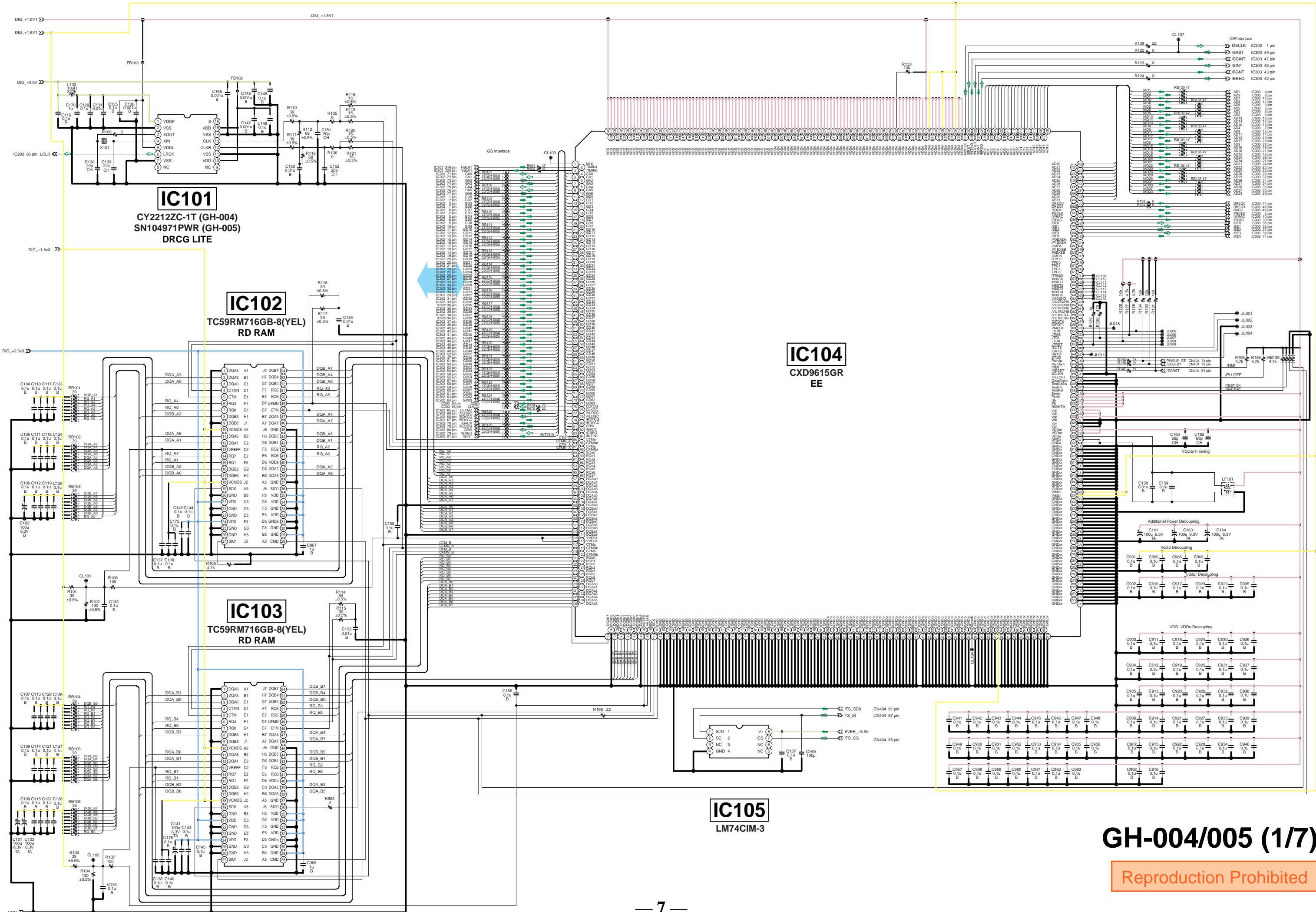
Les composants identifiés par une marque \triangle sont critiques pour la sécurité. Ne les remplacer que par une pièce portant le numéro spécifié.

Note on DC Power line :

- | | |
|------------------------------------|------------------|
| • +12V (EVER, HDD) : | • +3.3V (EVER) : |
| • +8.0V (CON) : | • +2.5V (DIG) : |
| • +5.0V(ANA, DIG, HDD, SER, USB) : | • +1.8V (DIG) : |
| • +3.5V (DIG, SER): | • +1.7V (VC) : |
| • +3.4V (CON) : | • +1.5V (DIG) : |

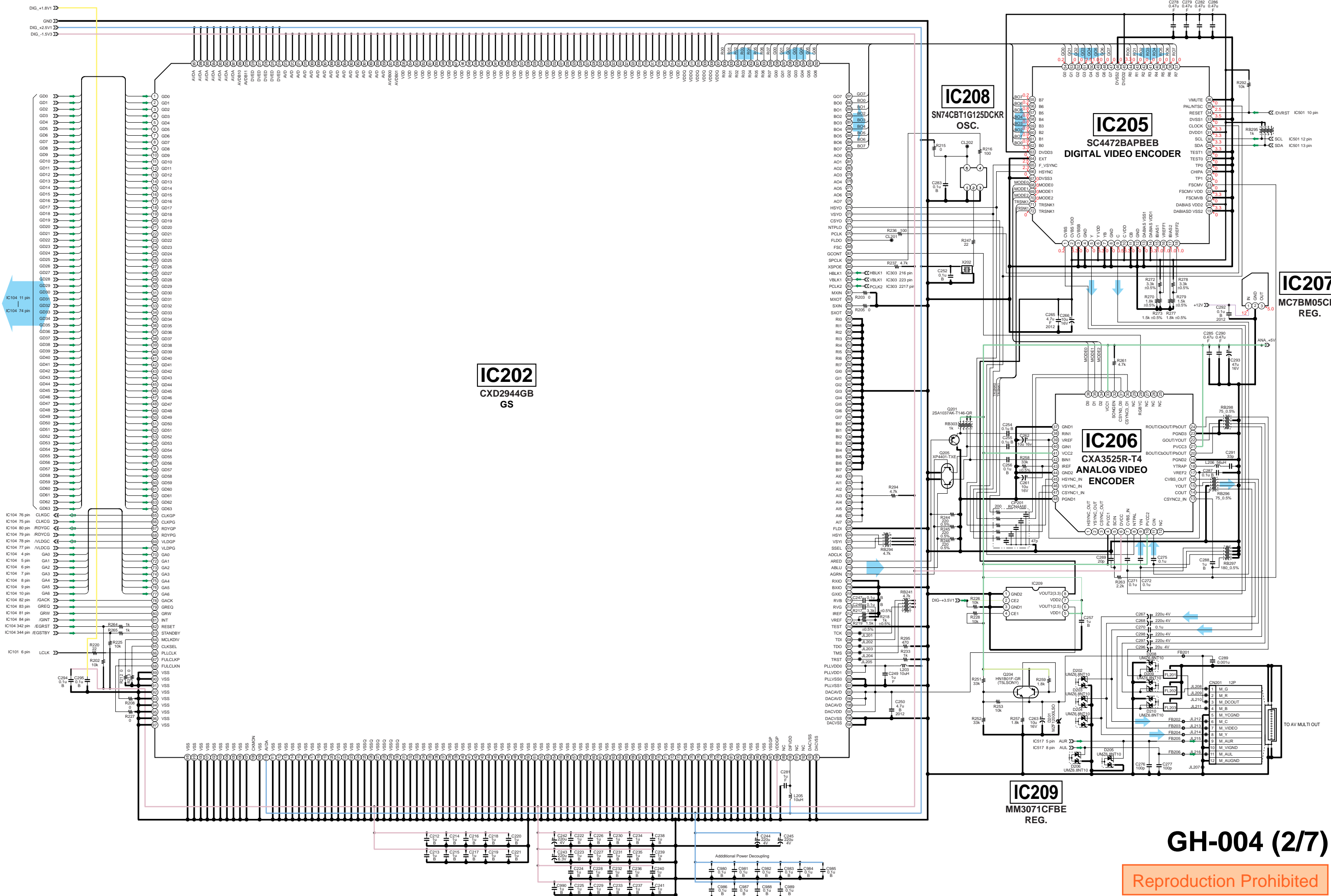
- IN :
- OUT :

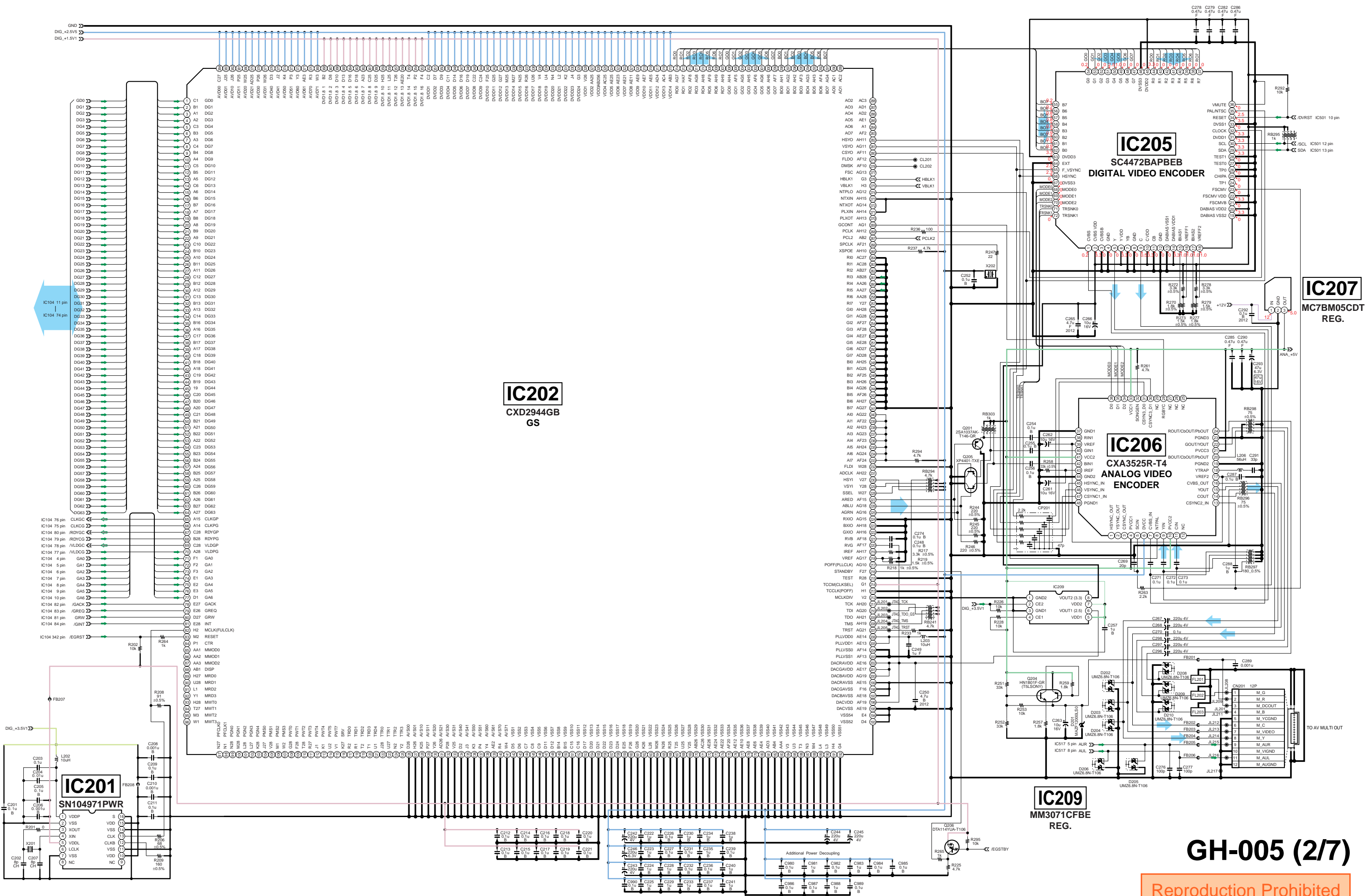
- Main Signal Line :



GH-004/005 (1/7)

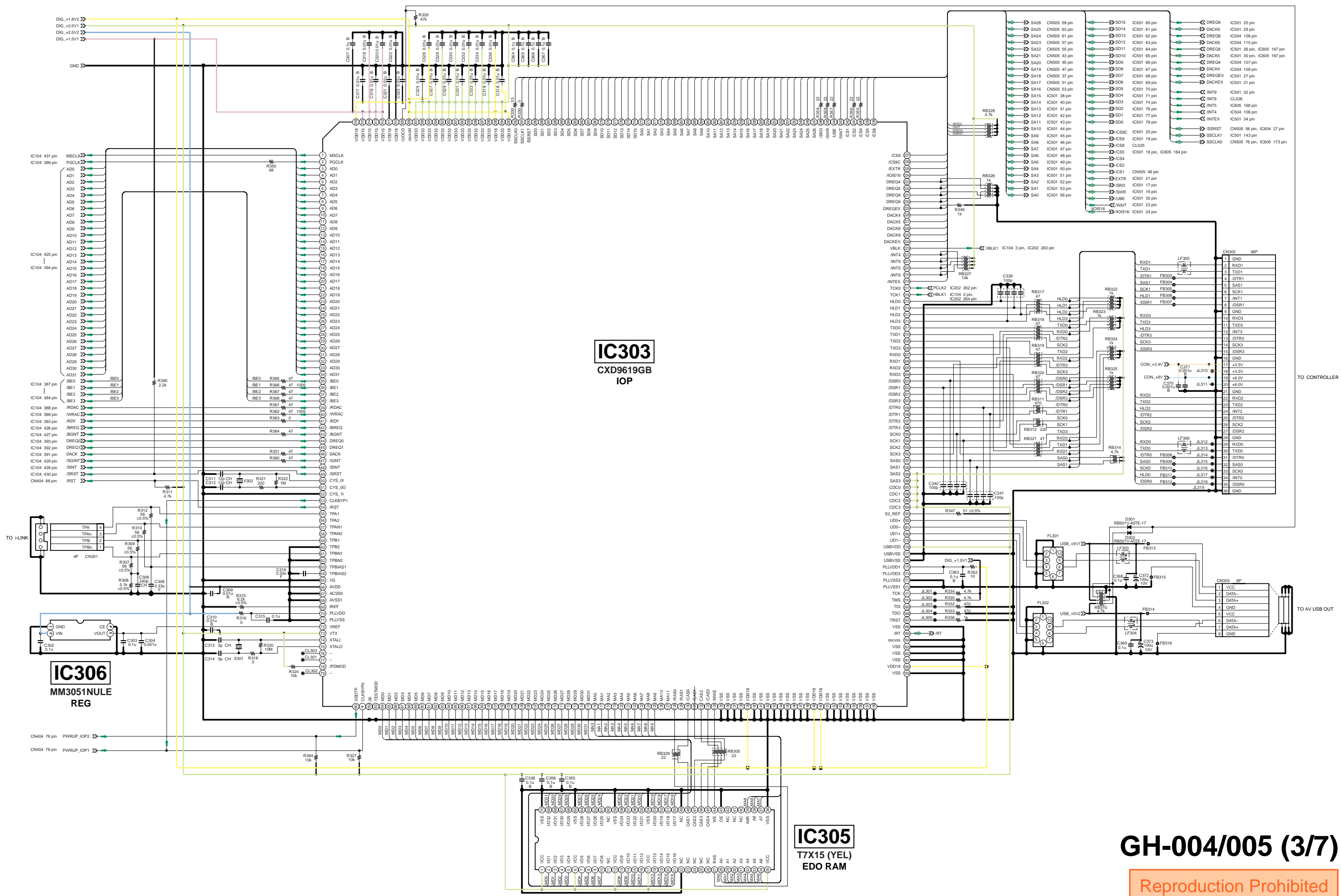
Reproduction Prohibited





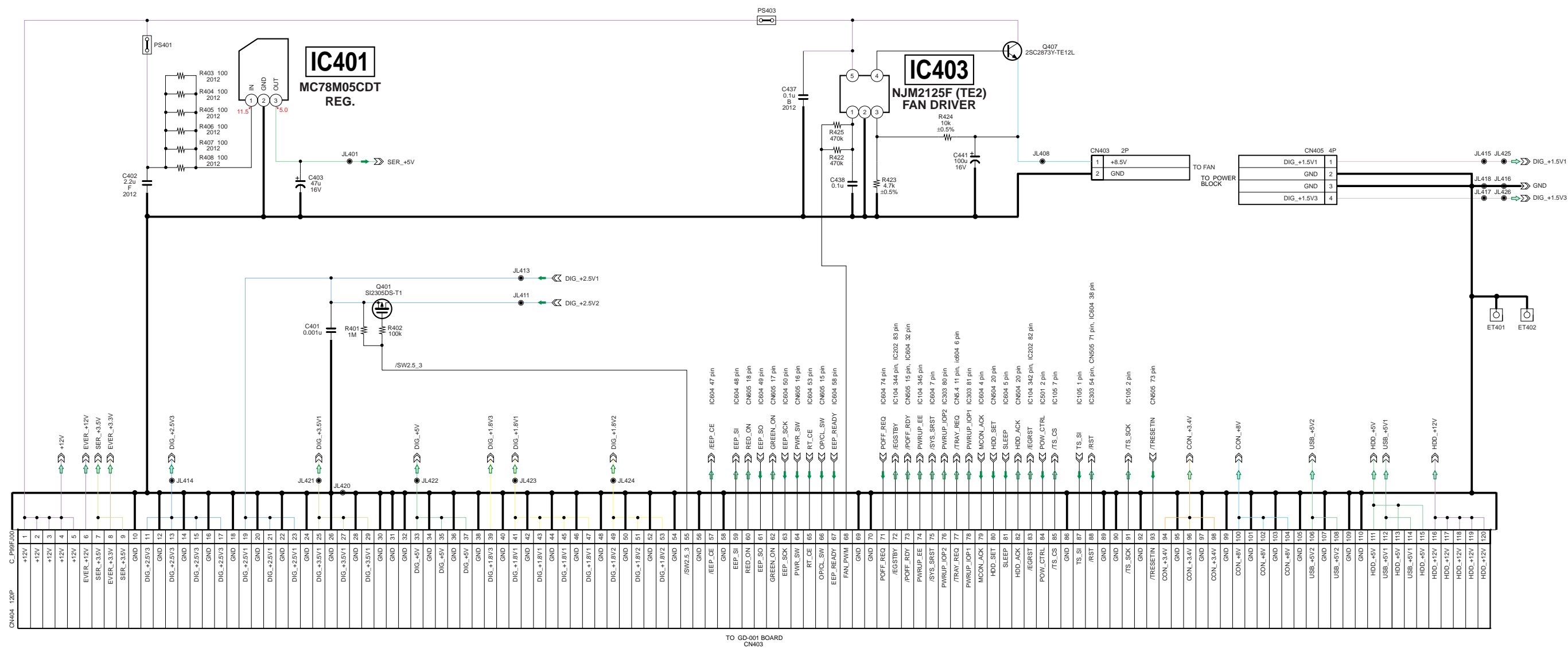
GH-005 (2/7)

Reproduction Prohibited



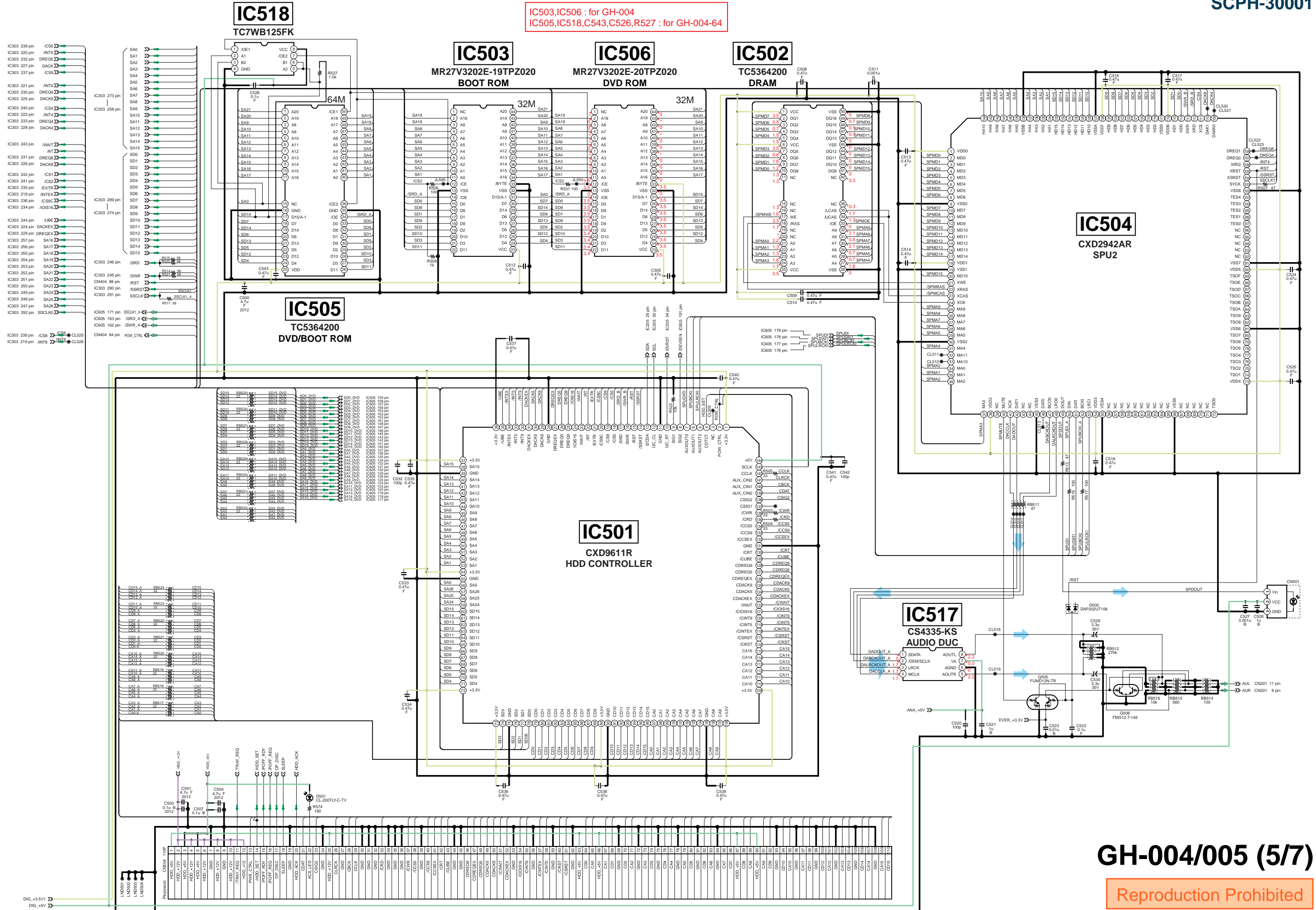
GH-004/005 (3/7)

Reproduction Prohibited



GH-004/005 (4/7)

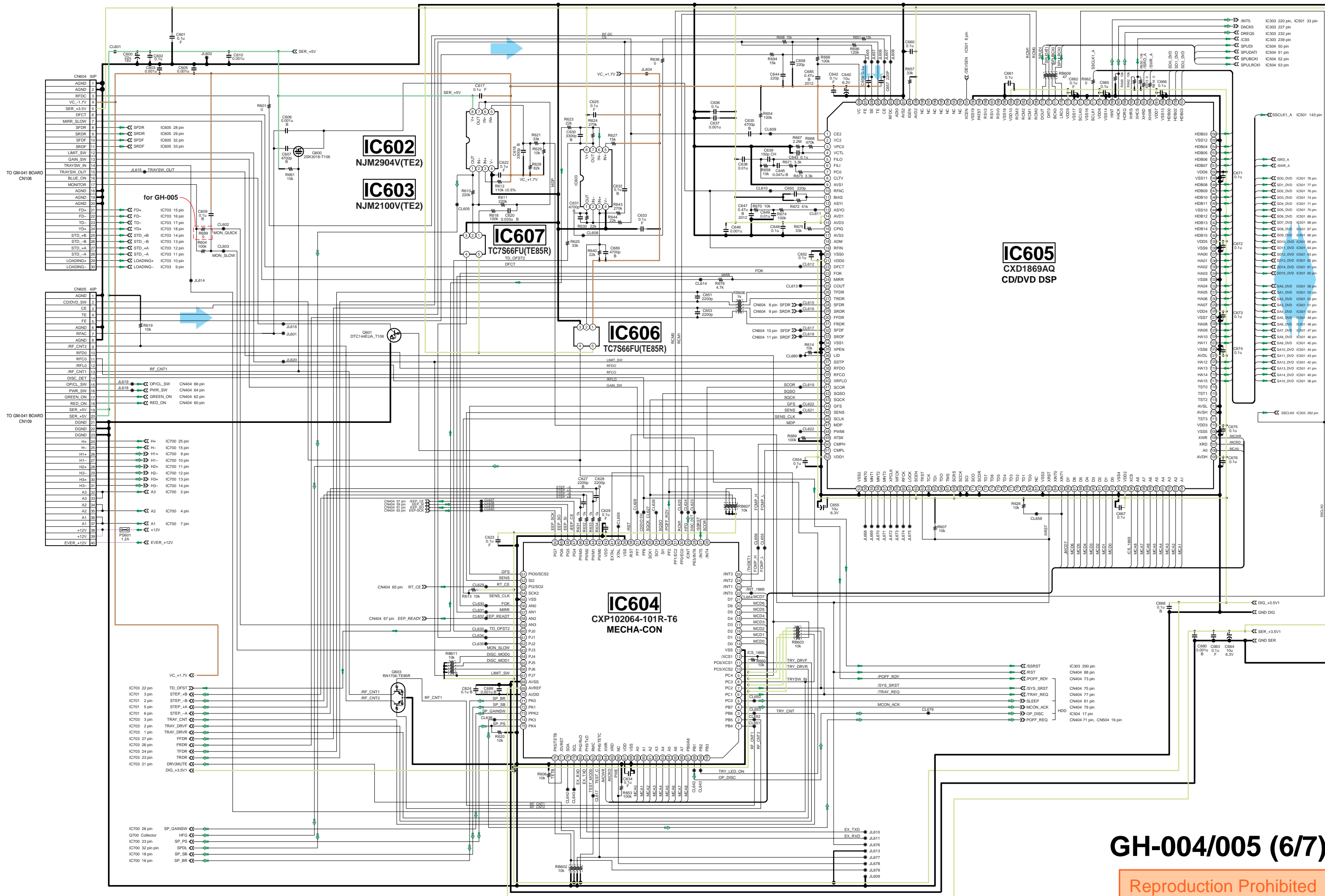
Reproduction Prohibited



IC503, IC506 : for GH-004
 IC505, IC518, C543, C526, R527 : for GH-004-64

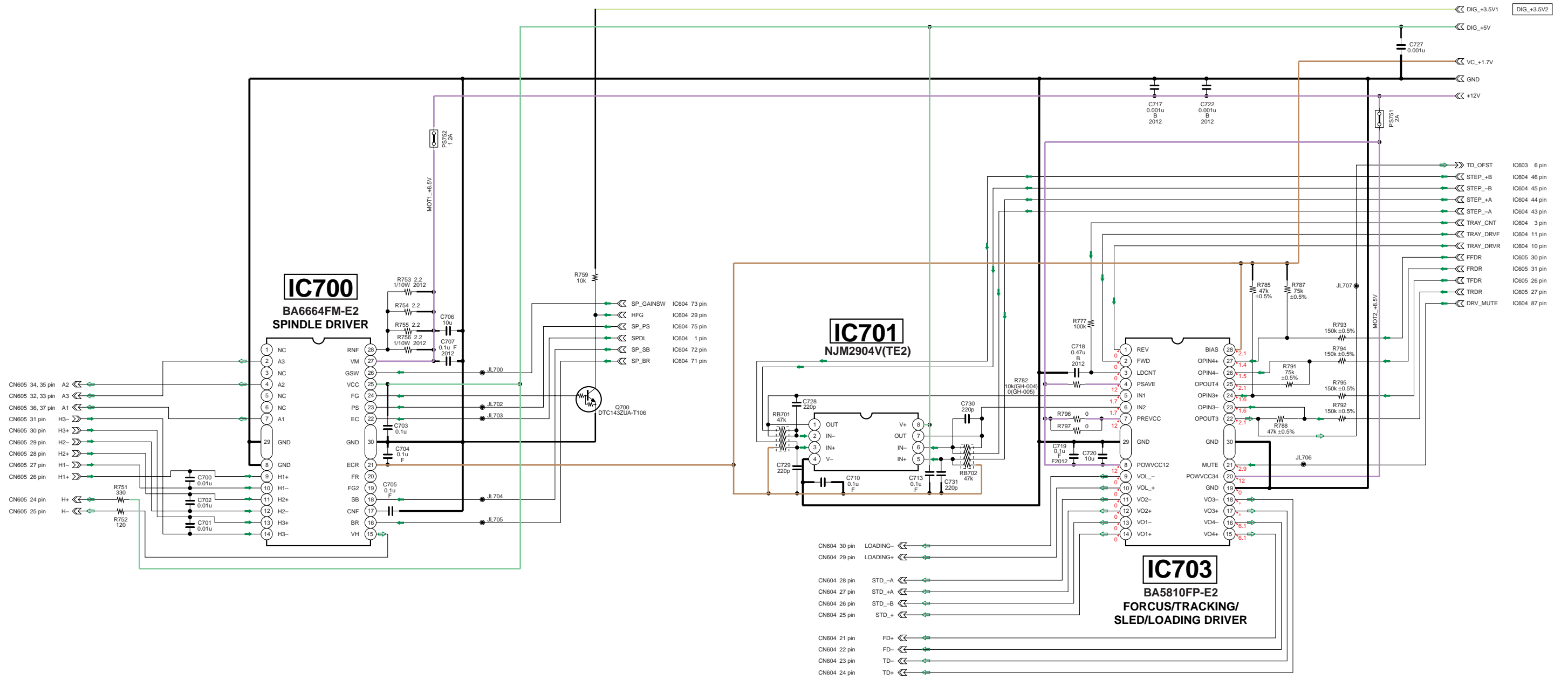
GH-004/005 (5/7)

Reproduction Prohibited

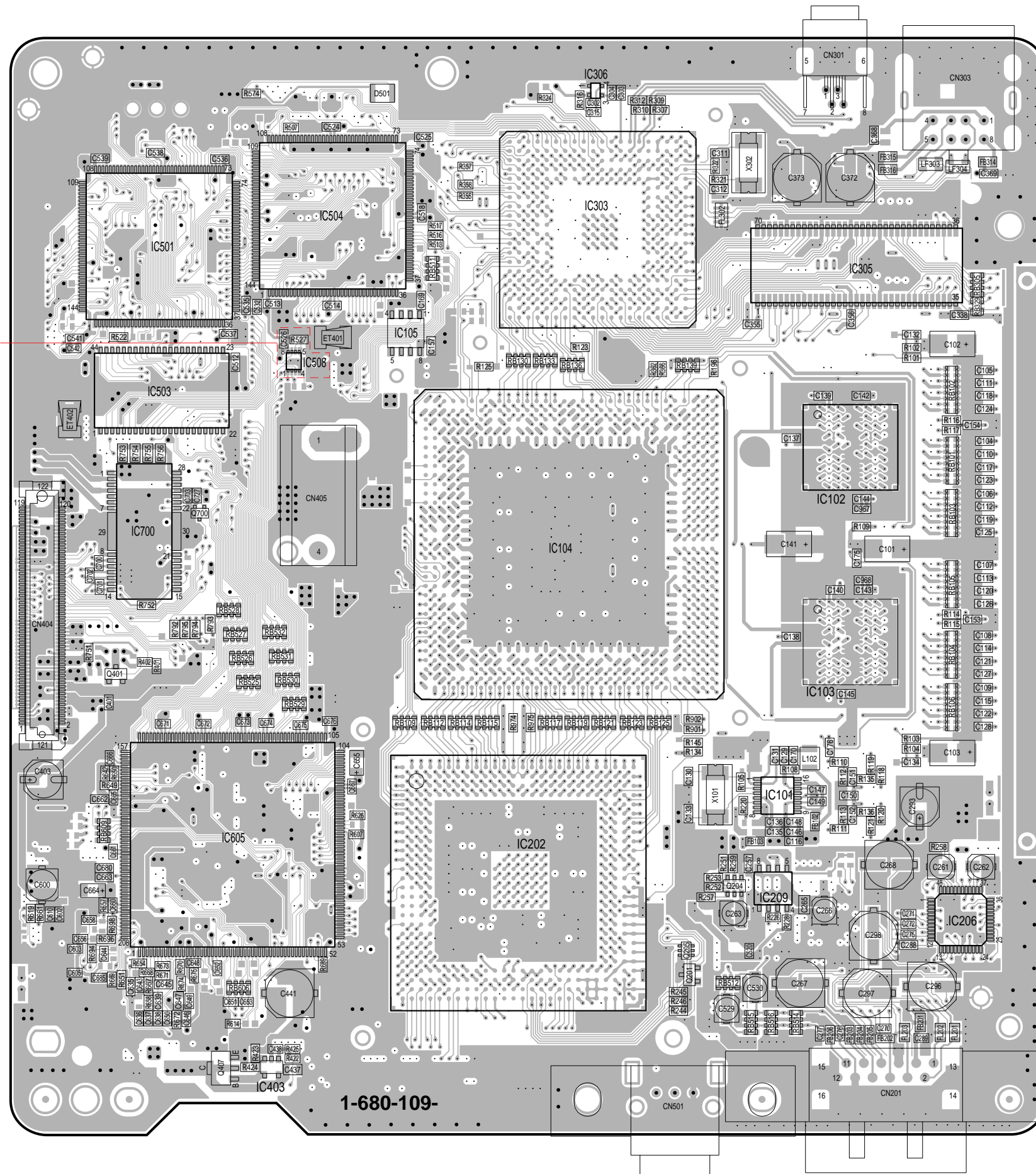


GH-004/005 (6/7)

Reproduction Prohibited



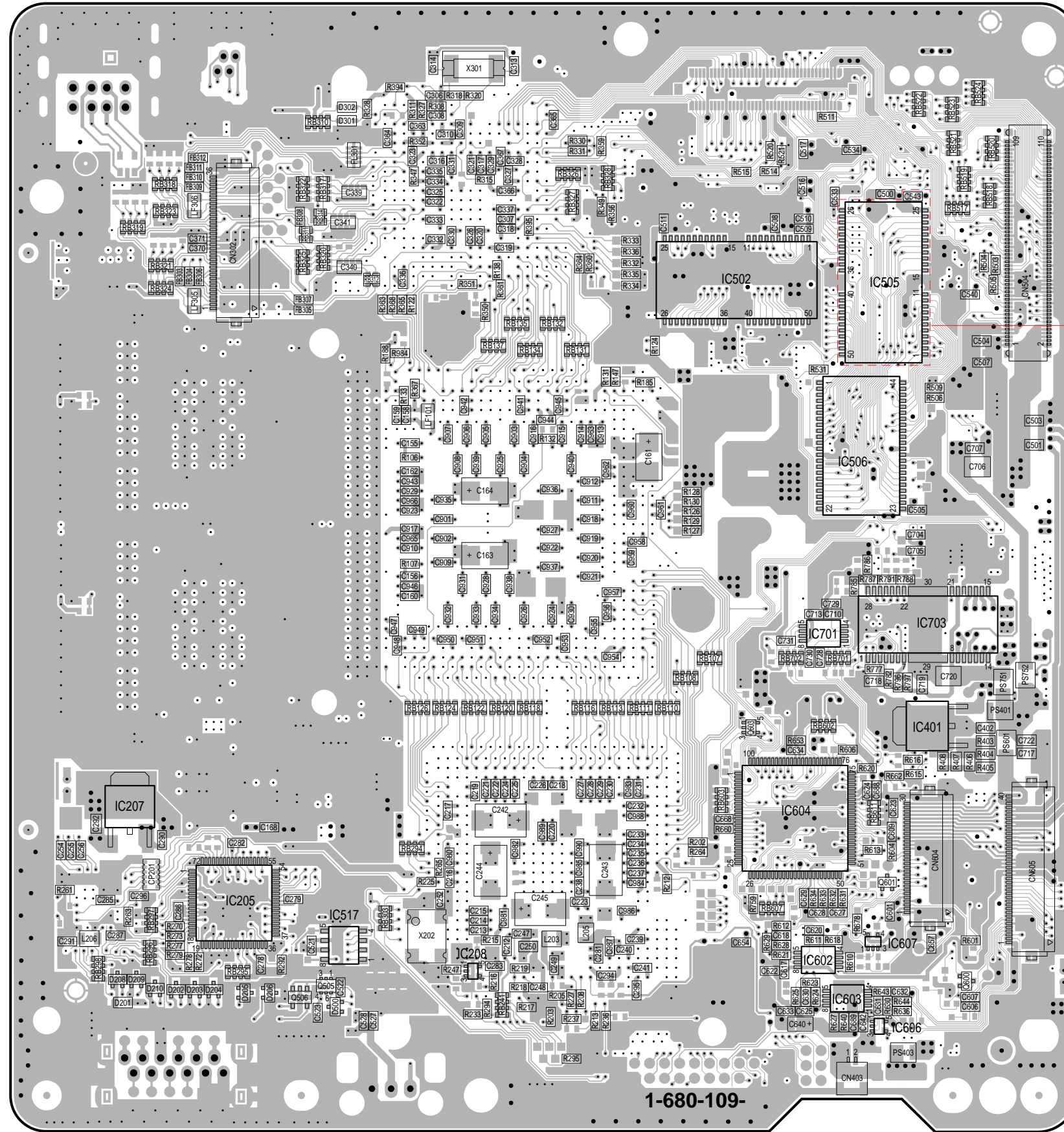
for GH-004-64



GH-004

A side

Reproduction Prohibited

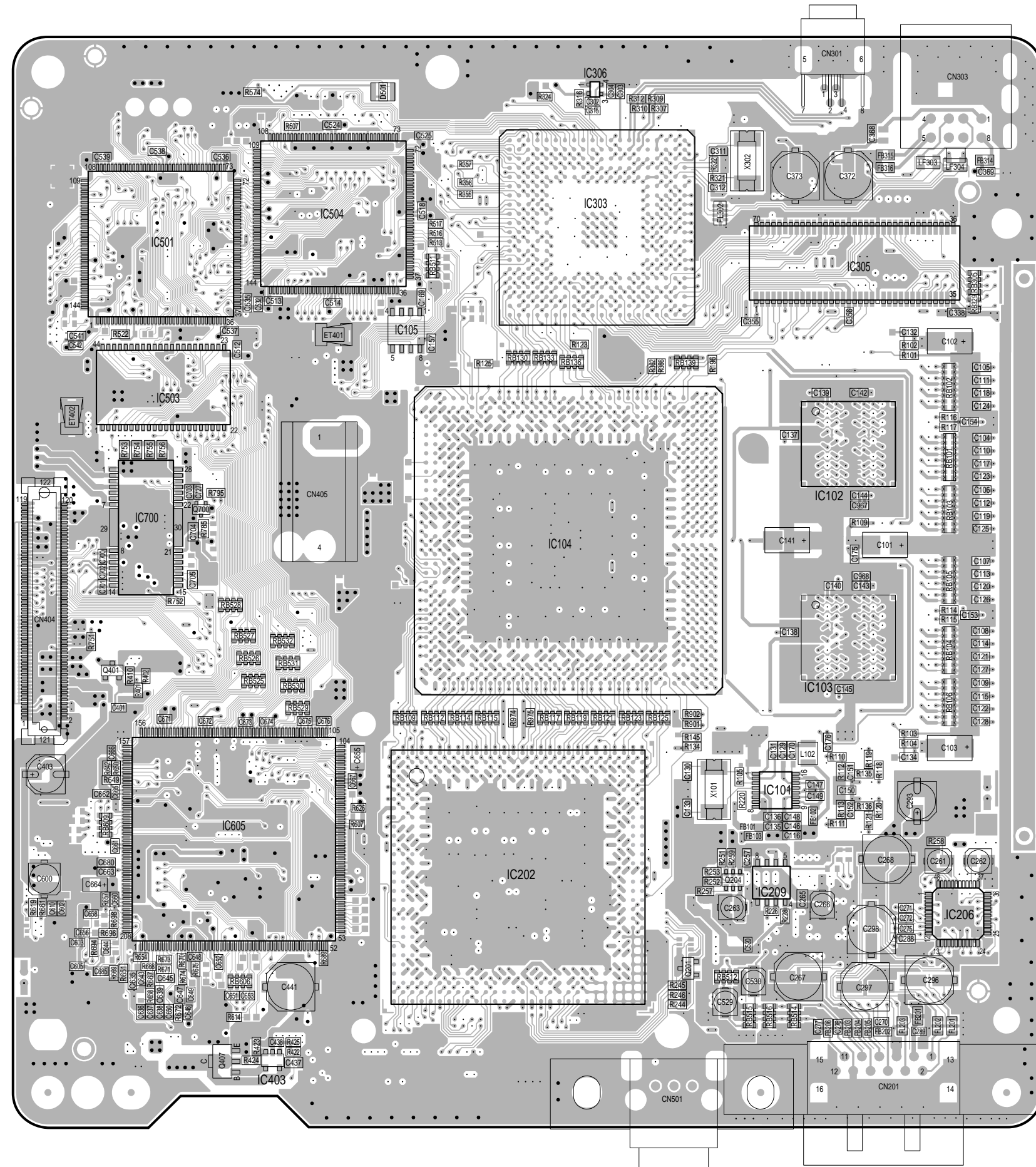


for GH-004-64

GH-004

B side

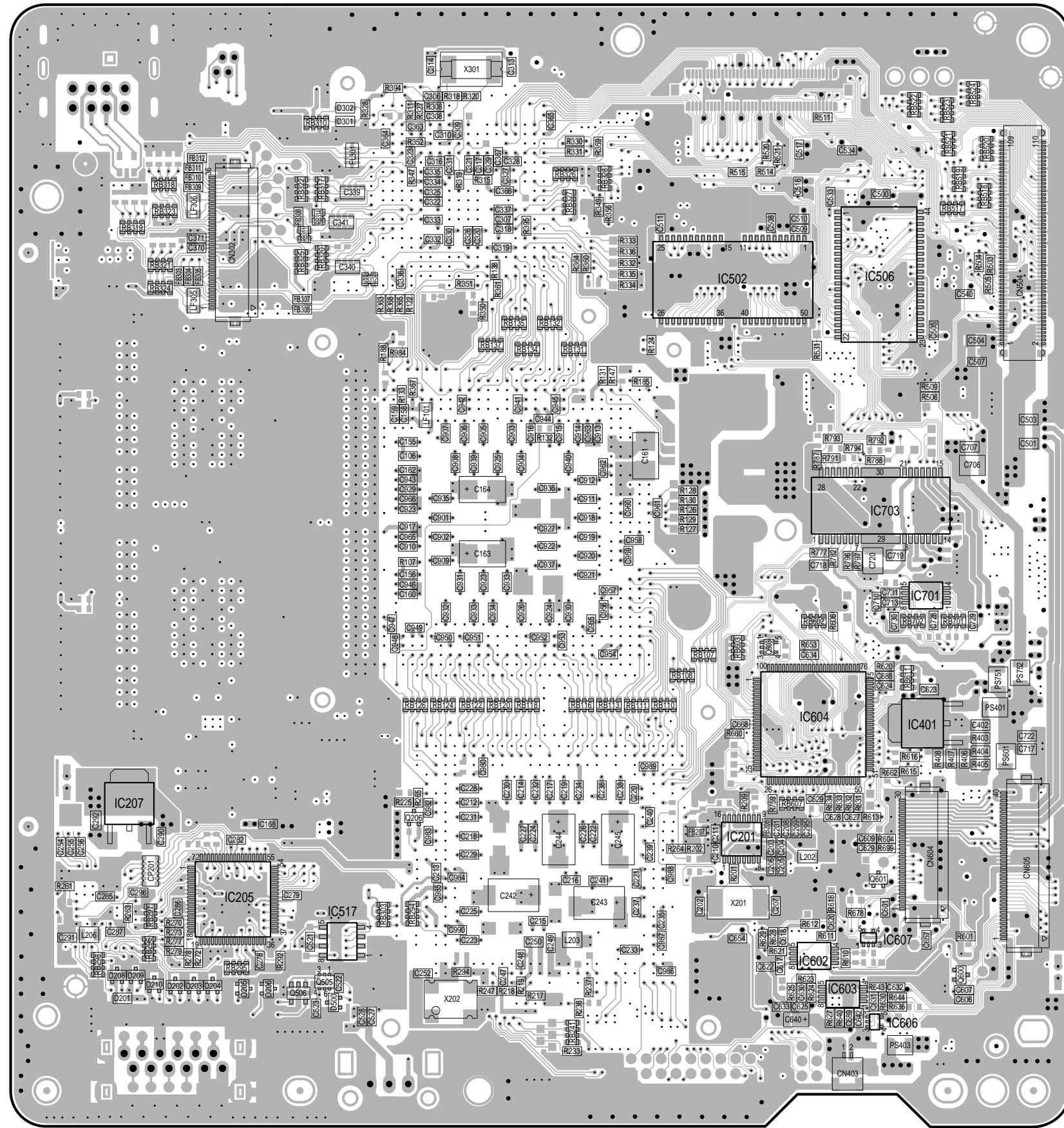
Reproduction Prohibited



GH-005

A side

Reproduction Prohibited



GH-005

B side

Reproduction Prohibited

IC401
S-80769SN-JO-T2
12V REG.

IC403
MM1537DFBE
RESET

IC405
RS5C348A-E2
TIMER

IC406
BR9080F-E2
EEPROM

IC402
TMP87C807U-1V33
SYSCON

IC409
SN104809DBTR

IC410
SI-3026LSA-TL
DIG2.5V3 REG.

IC411
MM3031J
DIG1.8V REG.

IC412
SI-3025LSA-TL
DIG2.5V1 REG.

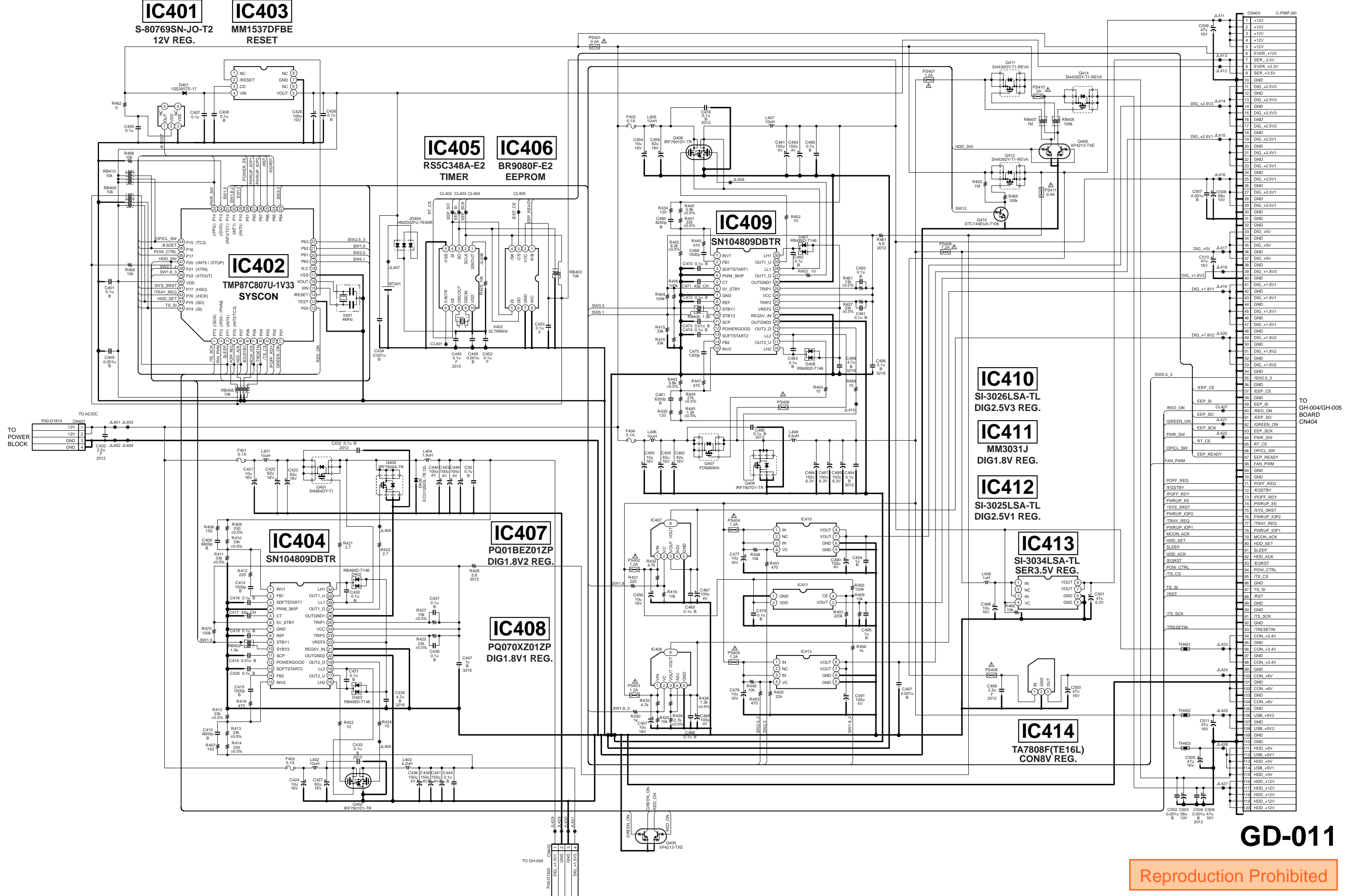
IC413
SI-3034LSA-TL
SER3.5V REG.

IC414
TA7808F(TE16L)
CON8V REG.

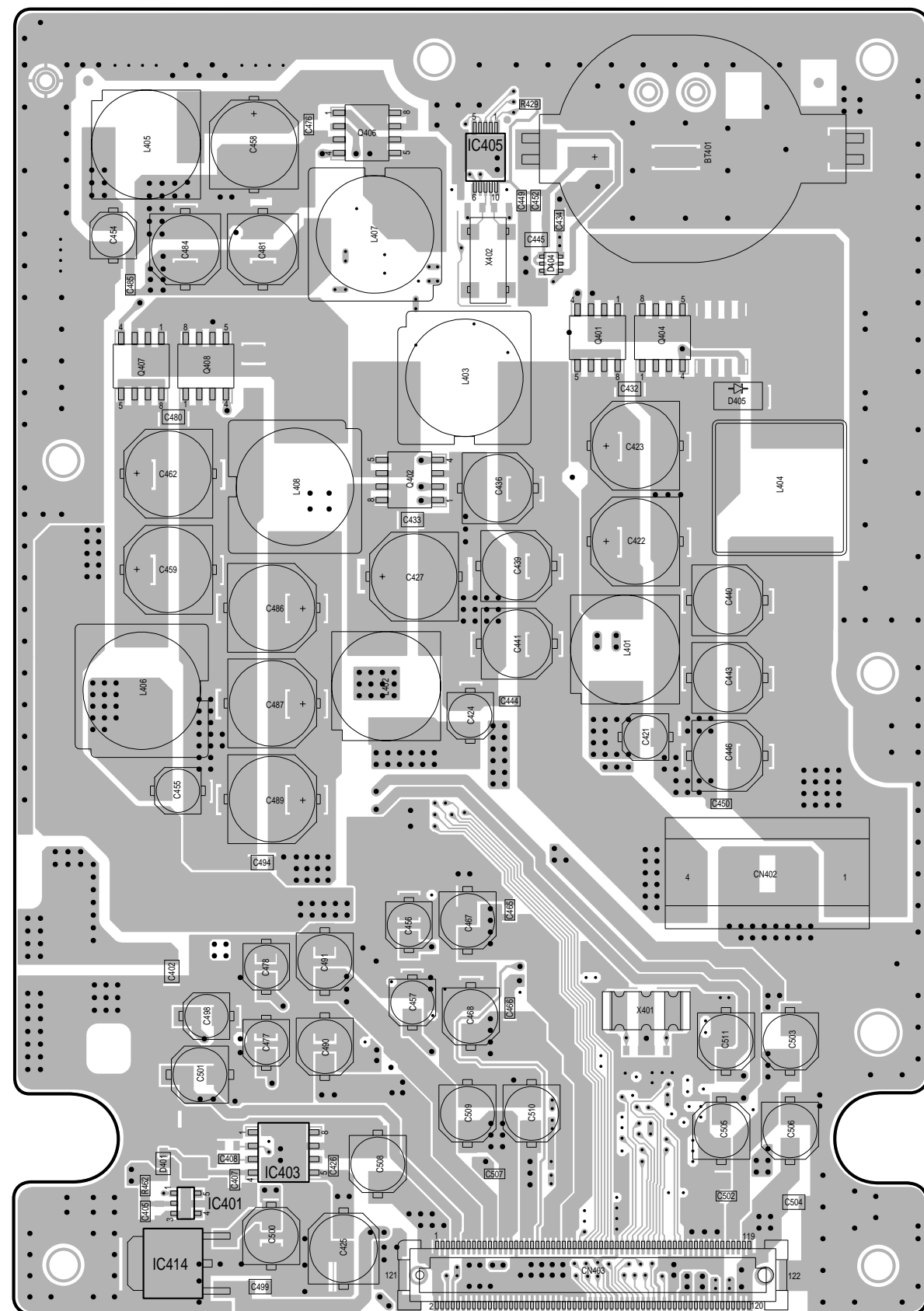
IC404
SN104809DBTR

IC407
PQ01BEZ01ZP
DIG1.8V2 REG.

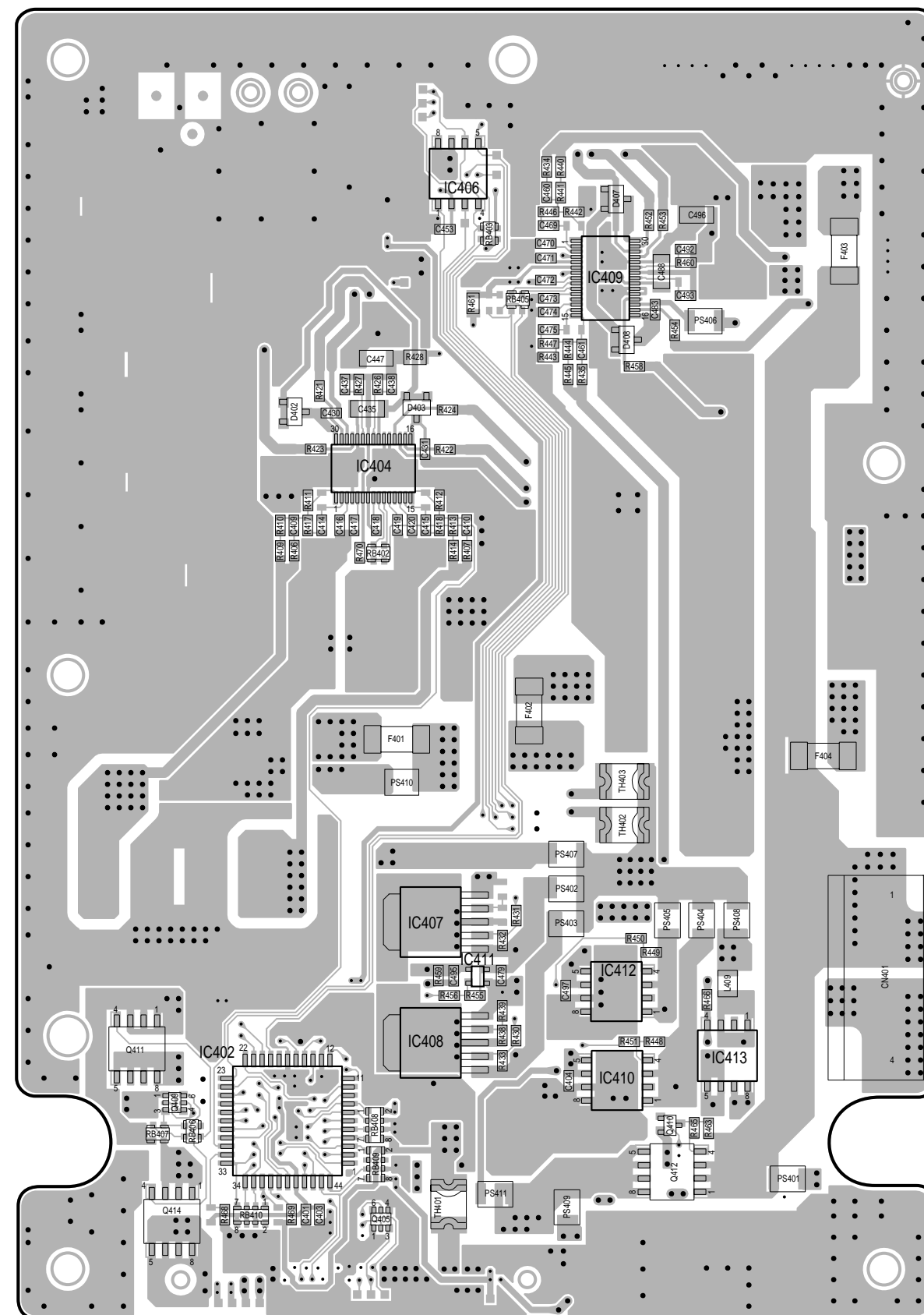
IC408
PQ070XZ01ZP
DIG1.8V1 REG.



TO
GH-004/GH-005
BOARD
CN404

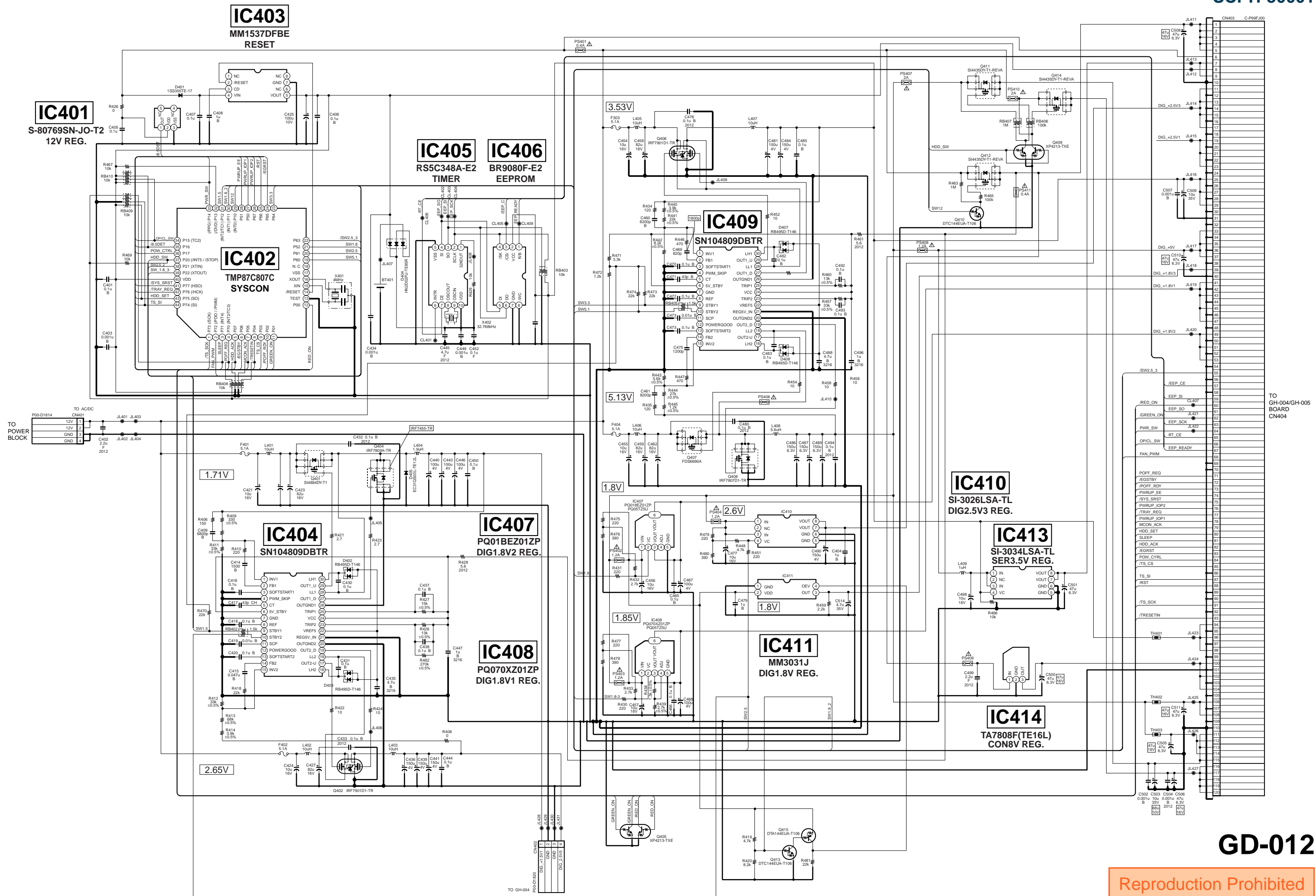


GD-011
A side



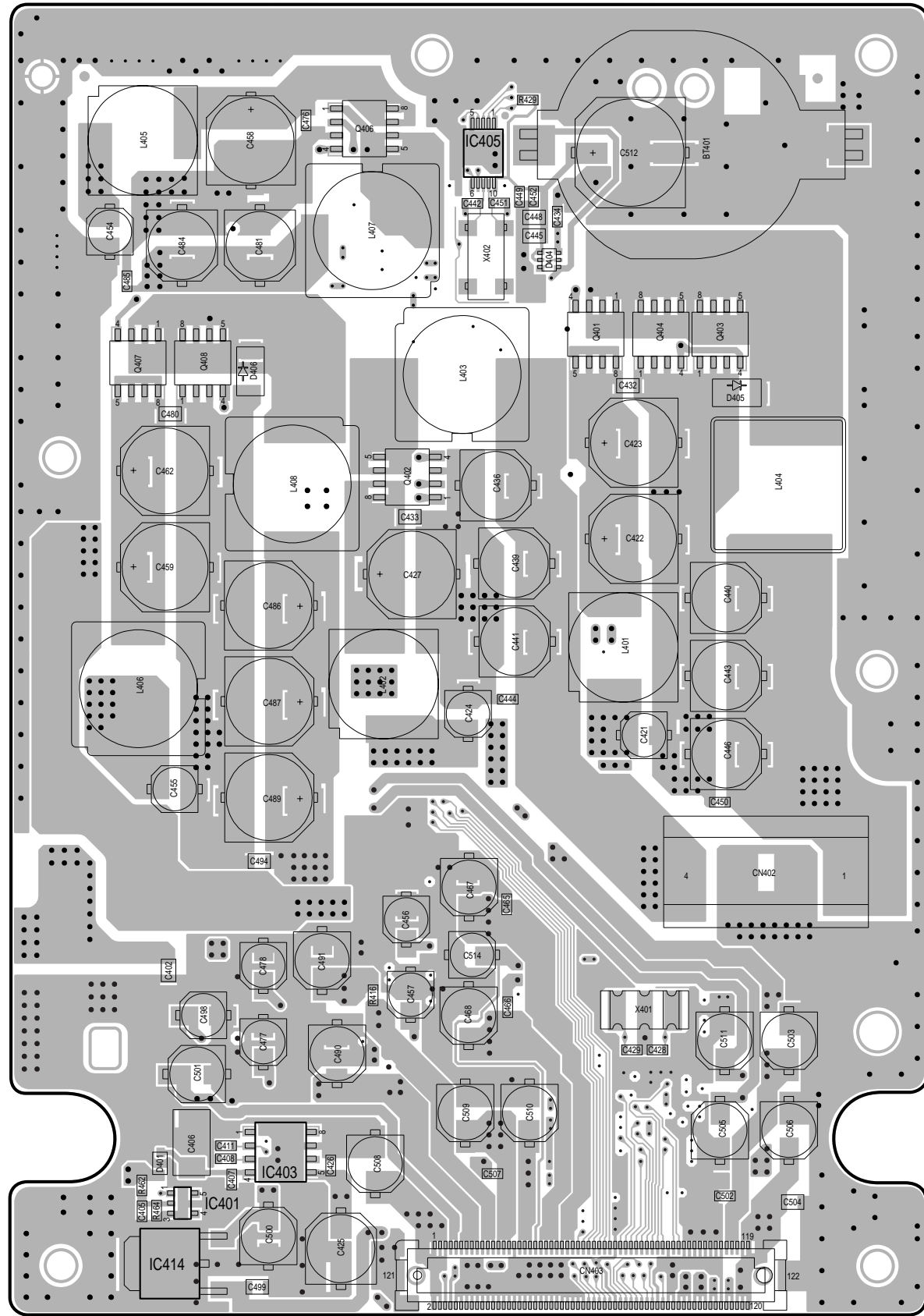
GD-011
B side

Reproduction Prohibited

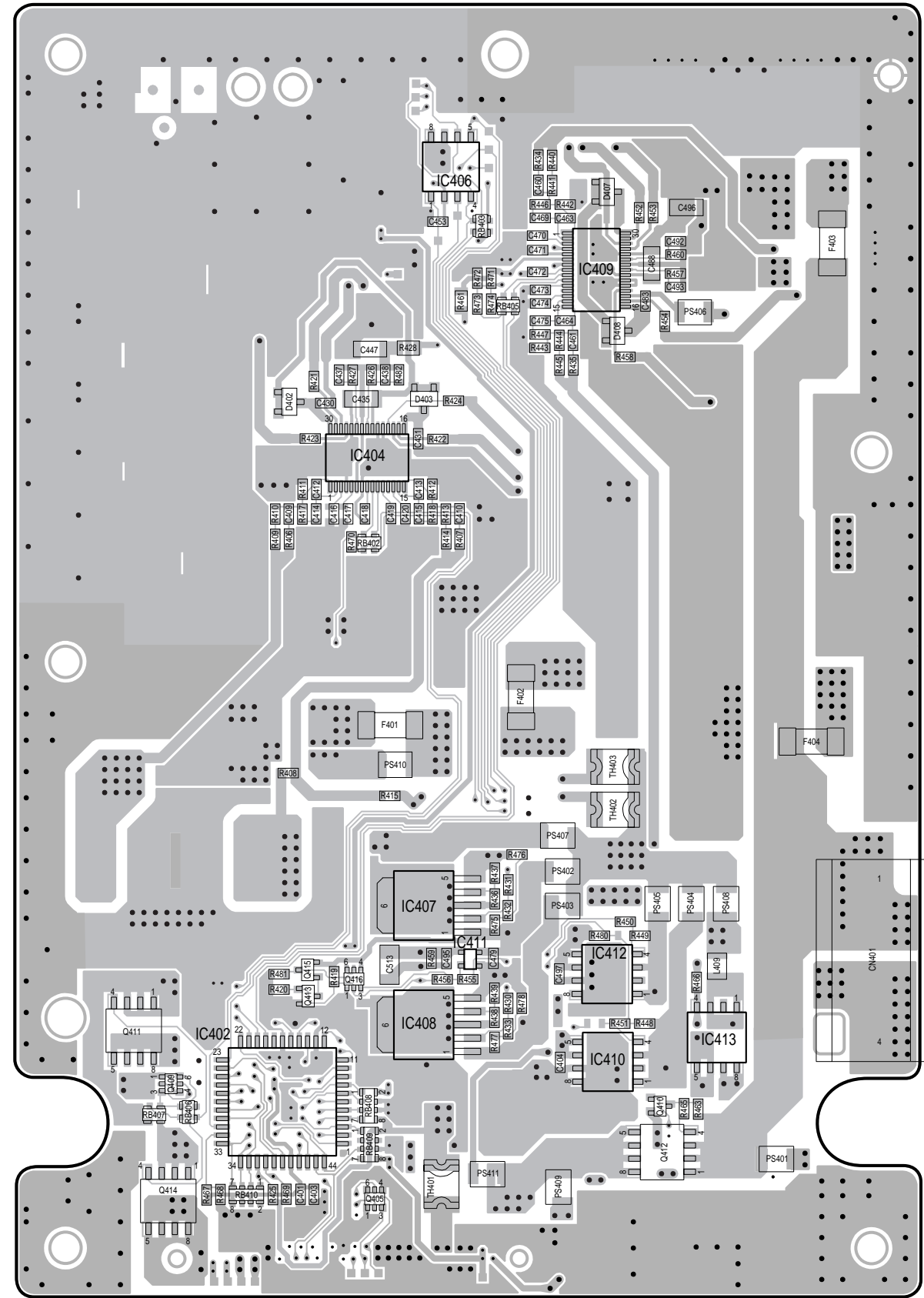


TO GH-004/GH-005 BOARD CN404

Reproduction Prohibited

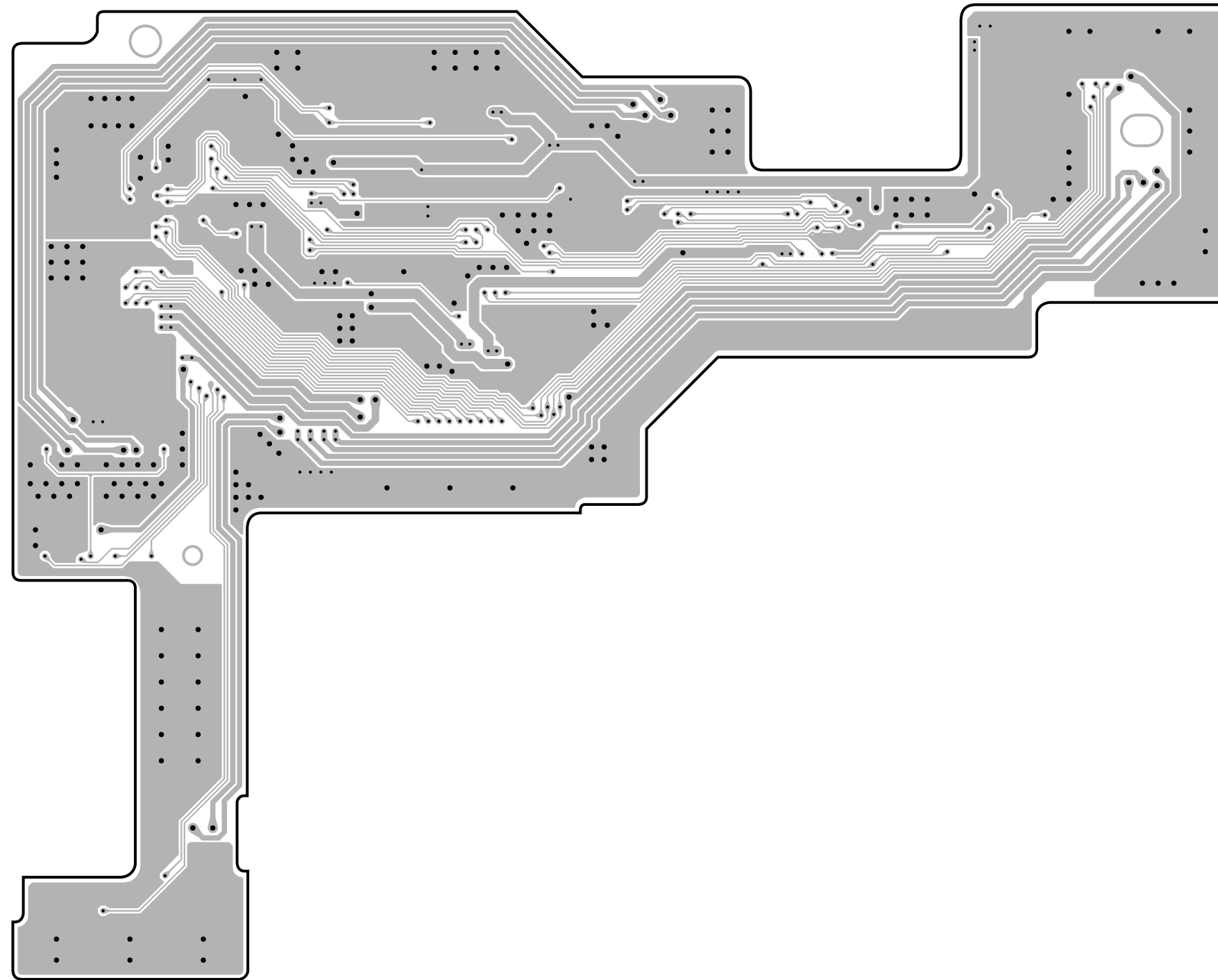


GD-012
A side



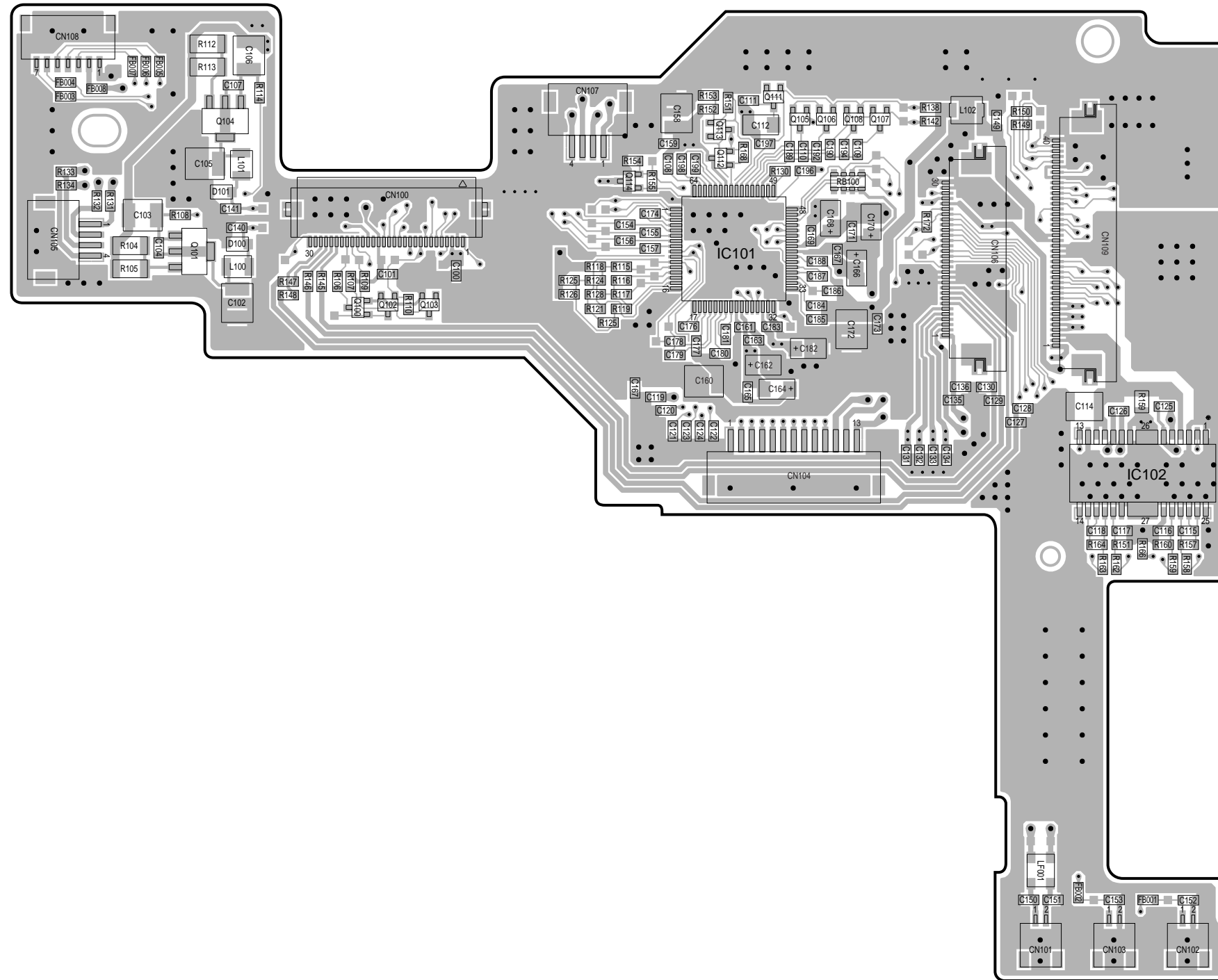
GD-012
B side

Reproduction Prohibited



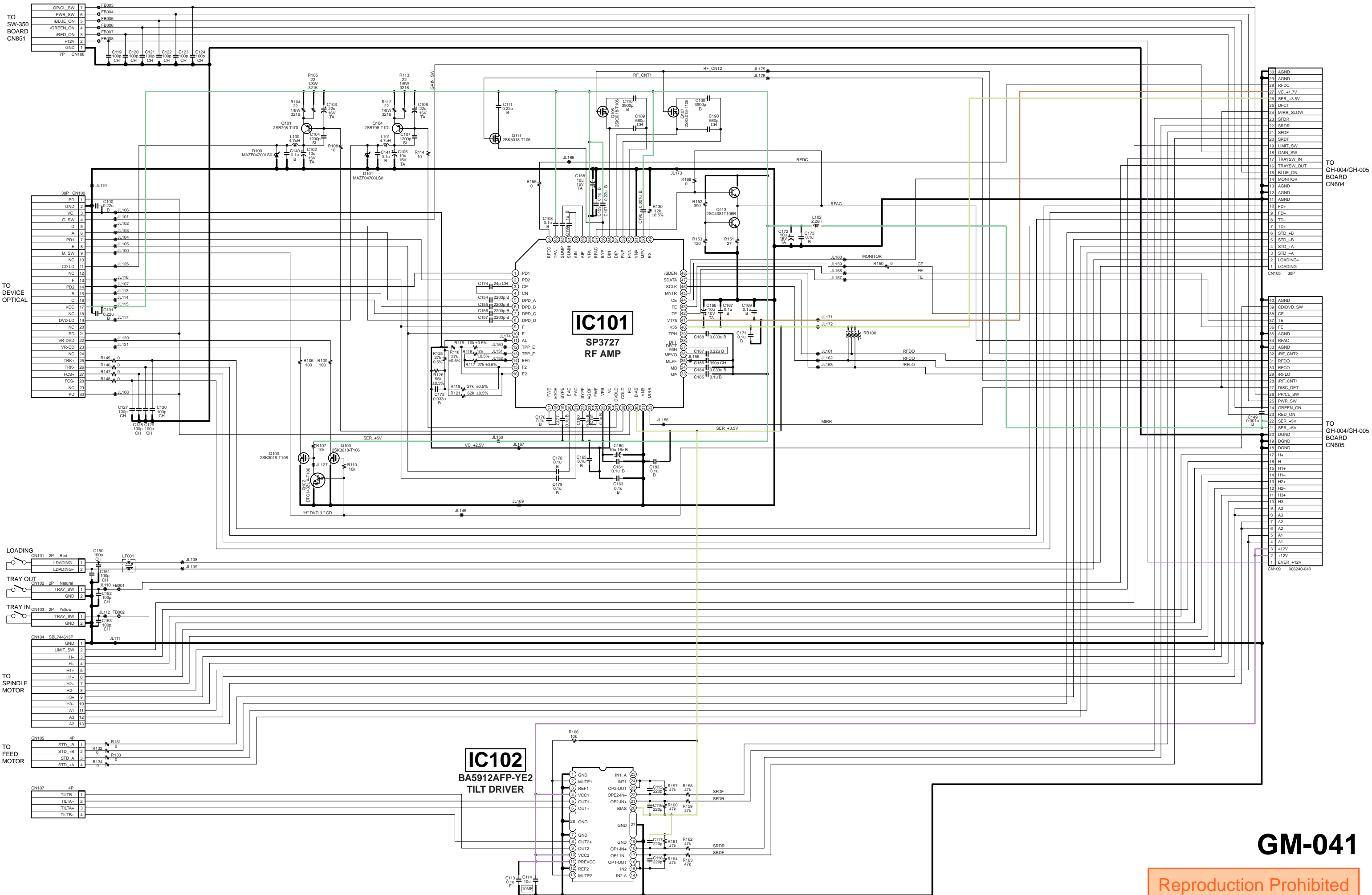
GM-041
A side

Reproduction Prohibited



GM-041
B side

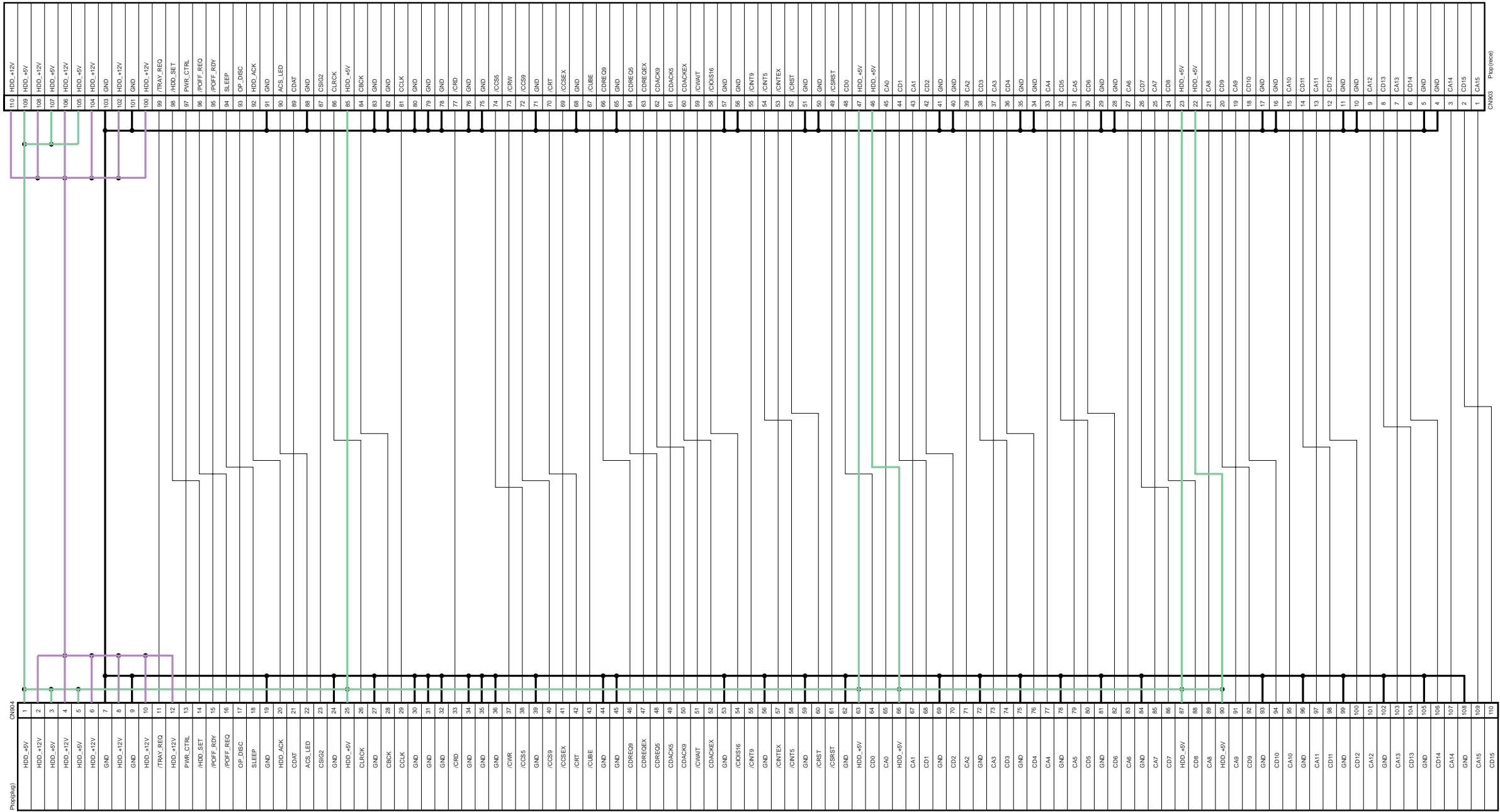
Reproduction Prohibited



Reproduction Prohibited

GM-041

GI side

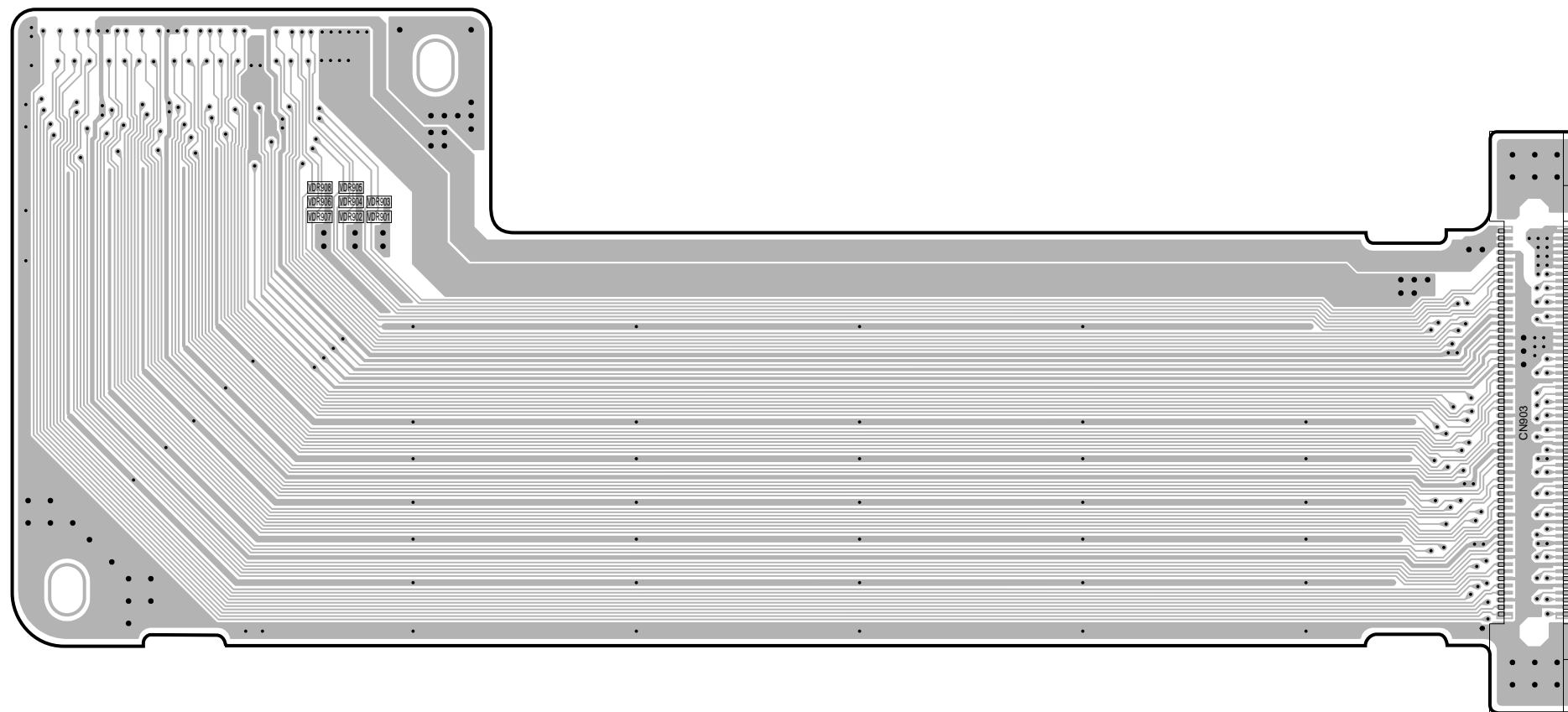


TO GH-004/GH-005 BOARD
CN851

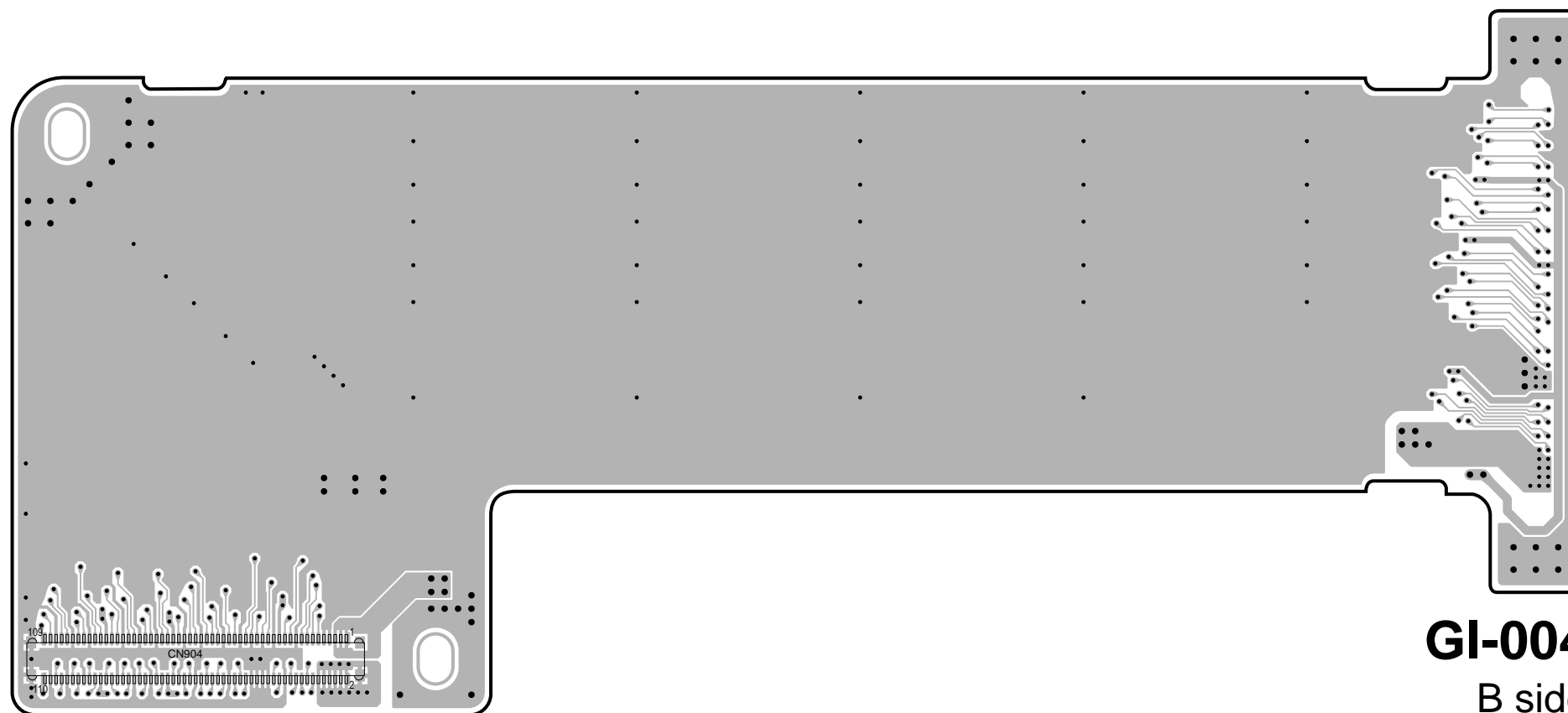
GH side

GI-004

Reproduction Prohibited

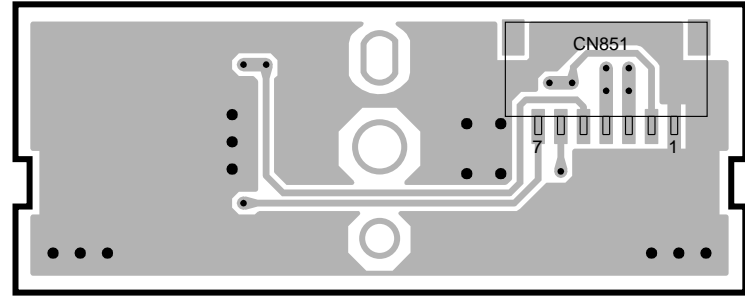


GI-004
A side

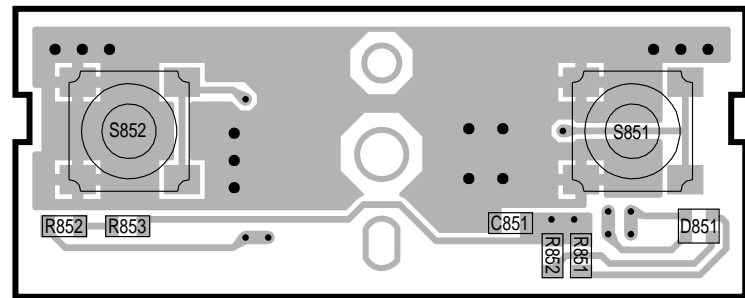


GI-004
B side

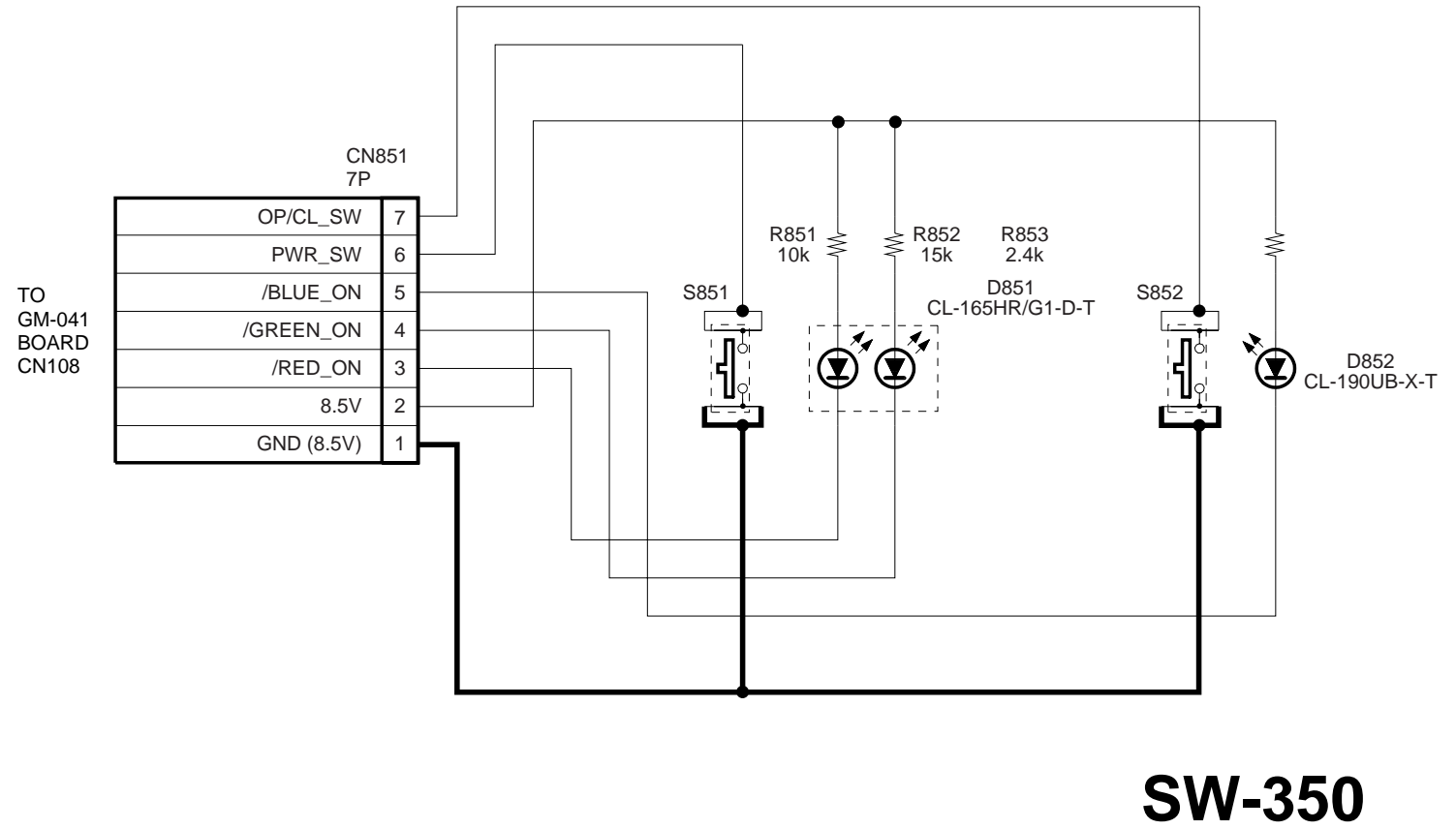
Reproduction Prohibited

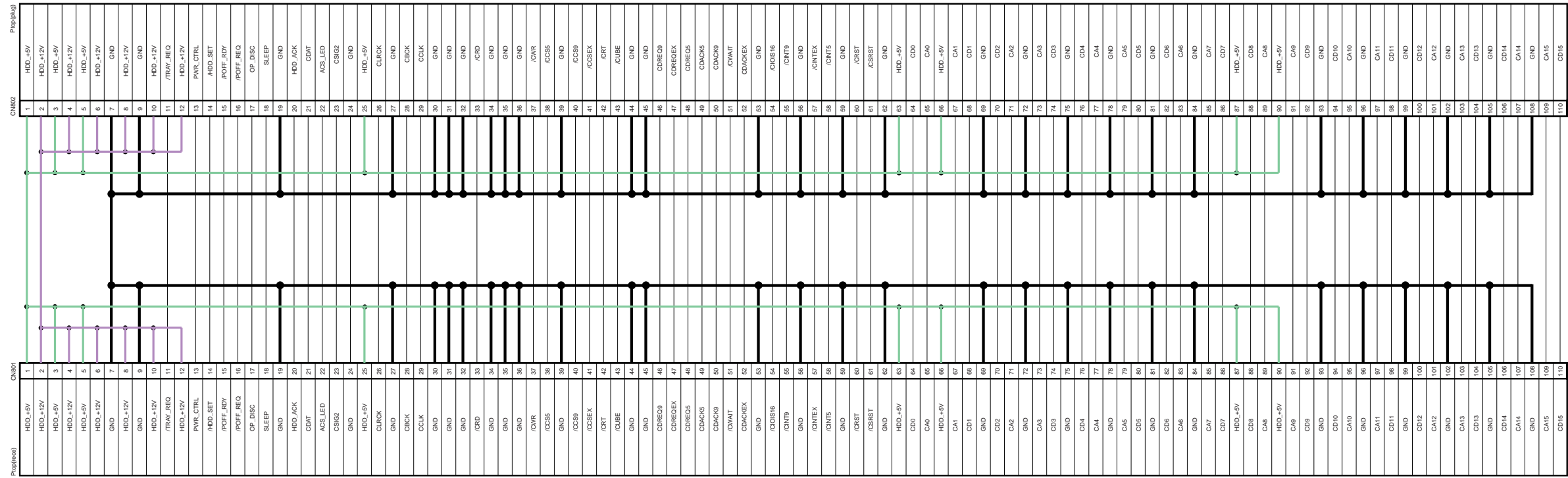


SW-350
A side



SW-350
B side





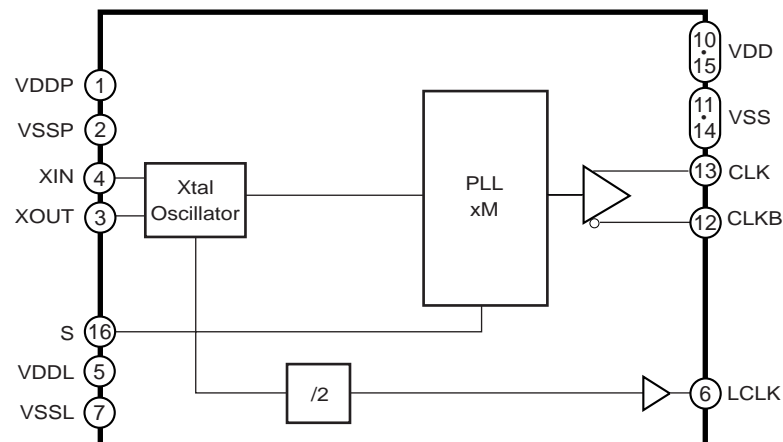
TO HARD DISK DRIVER

FREKI

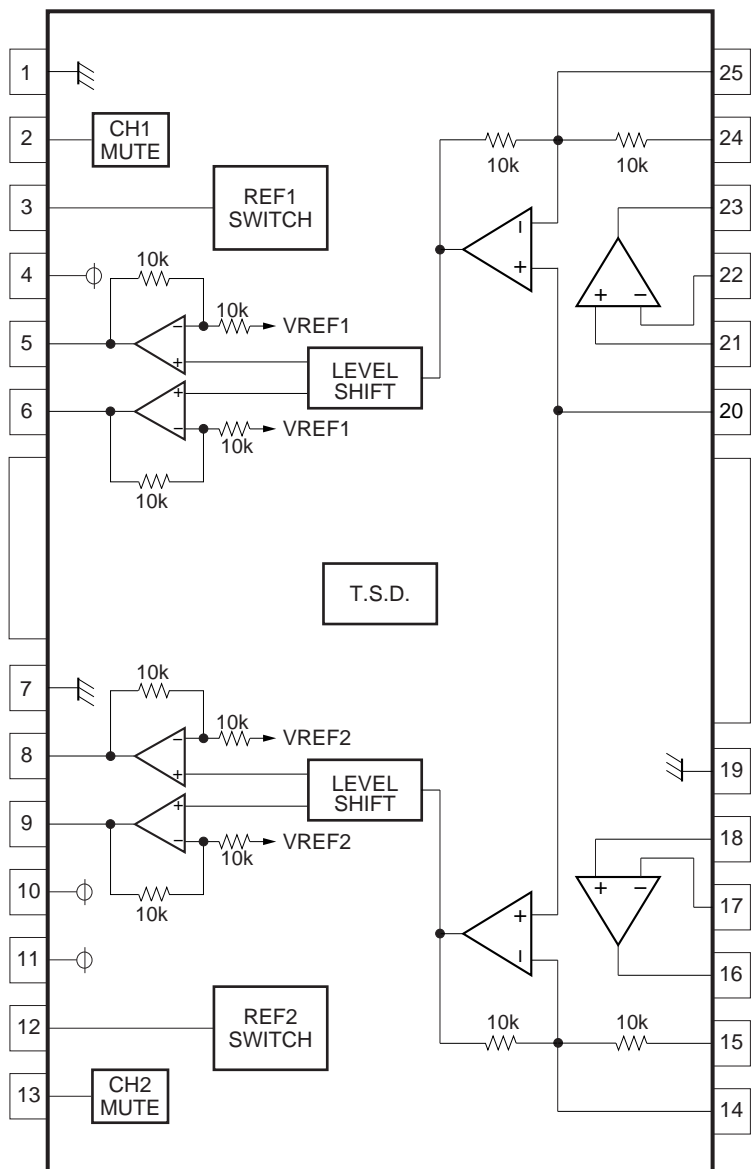
Reproduction Prohibited

IC BLOCK DIAGRAMS

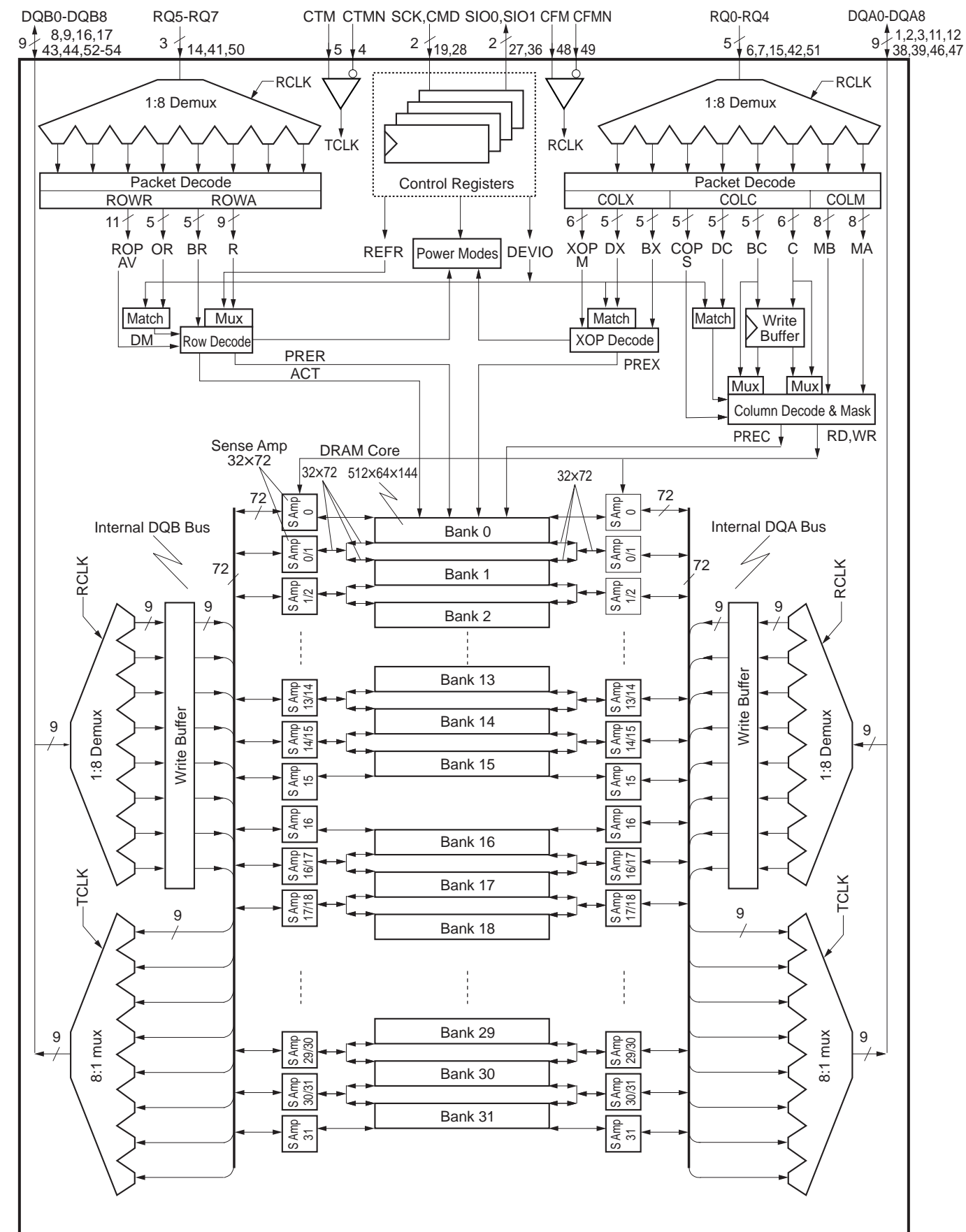
CY2212ZC (IC101)

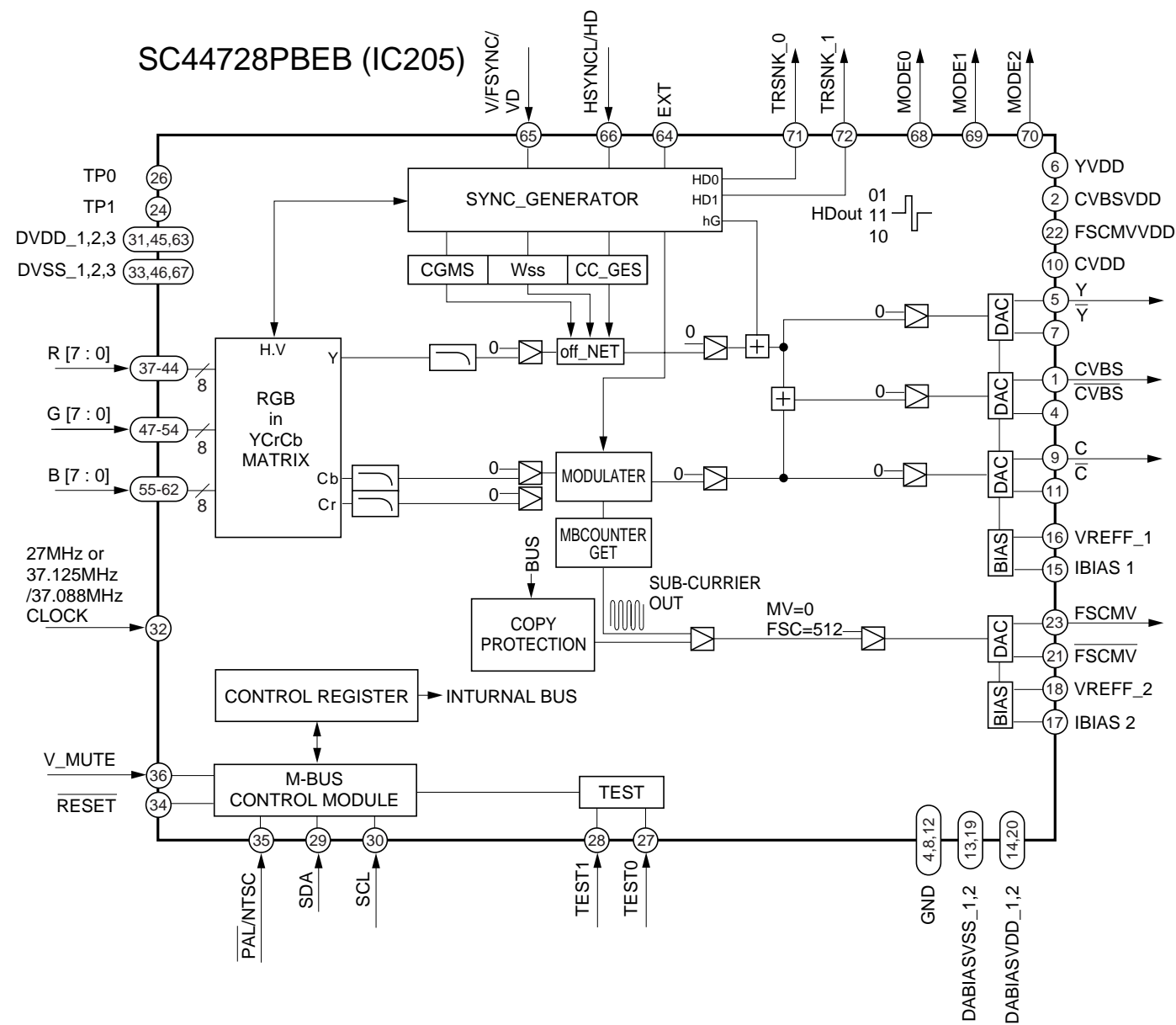
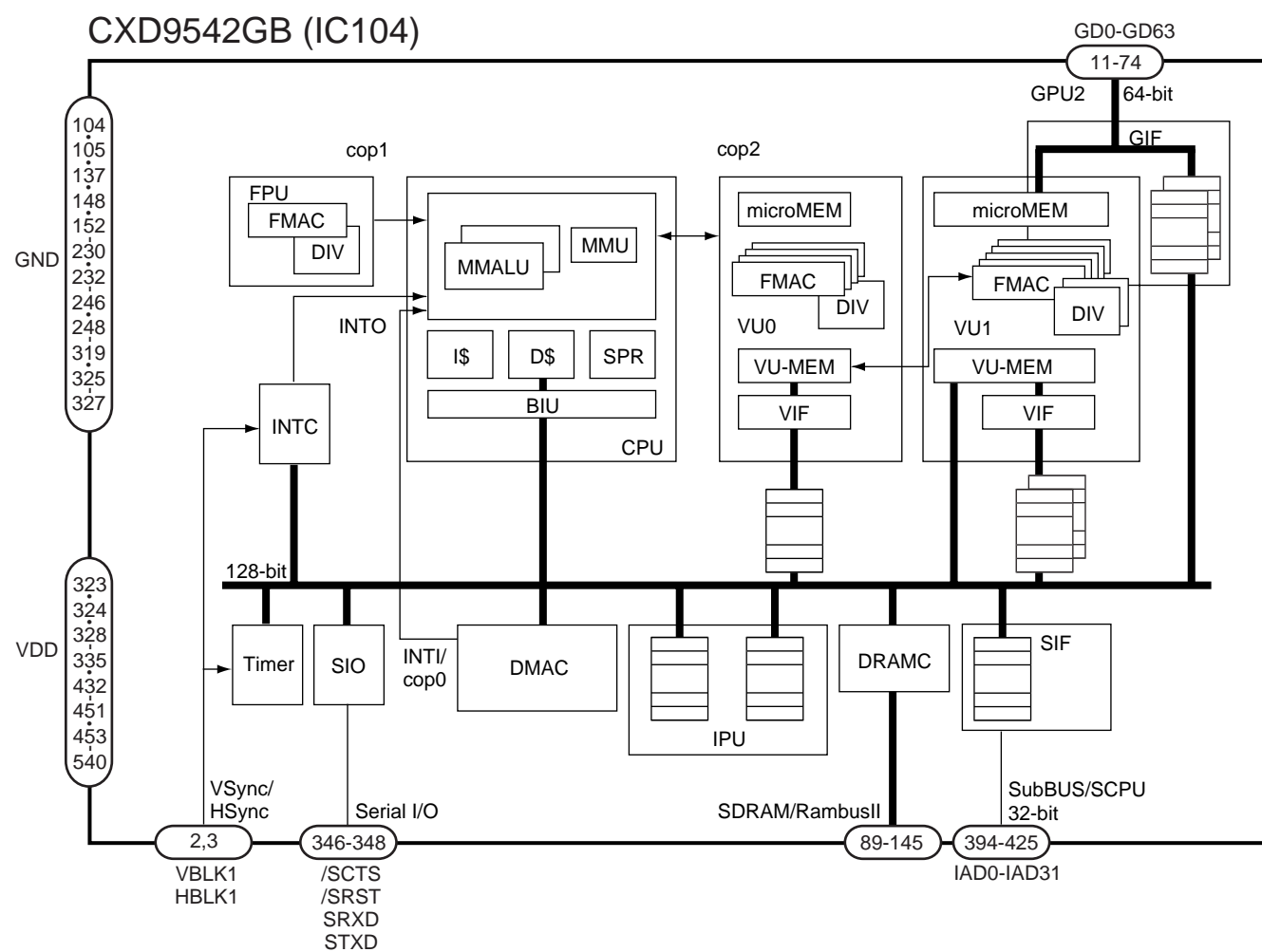


BA5912AFP-YE2 (IC102) [for GM Board]

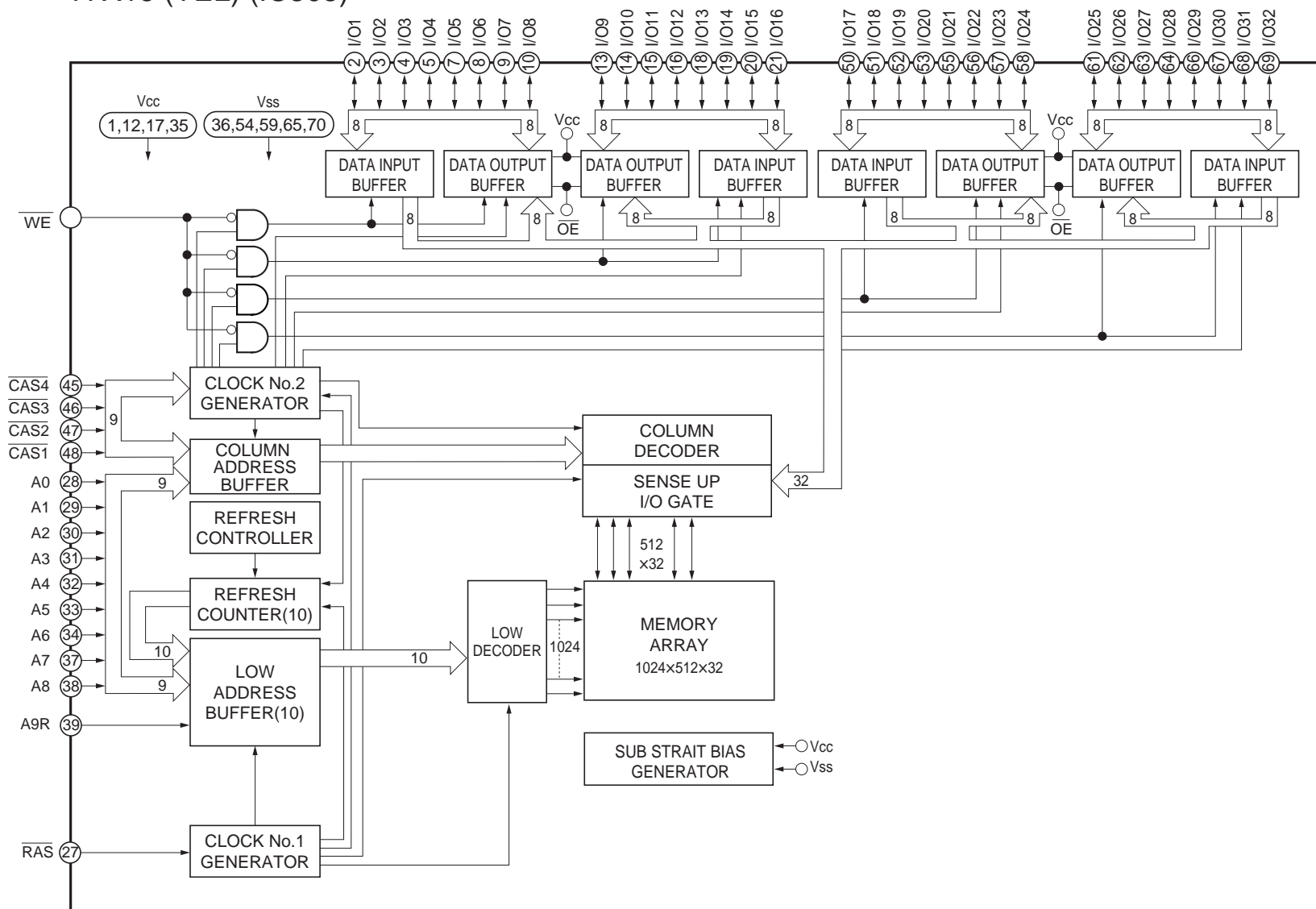


TC59RM716GB-8 (IC103)

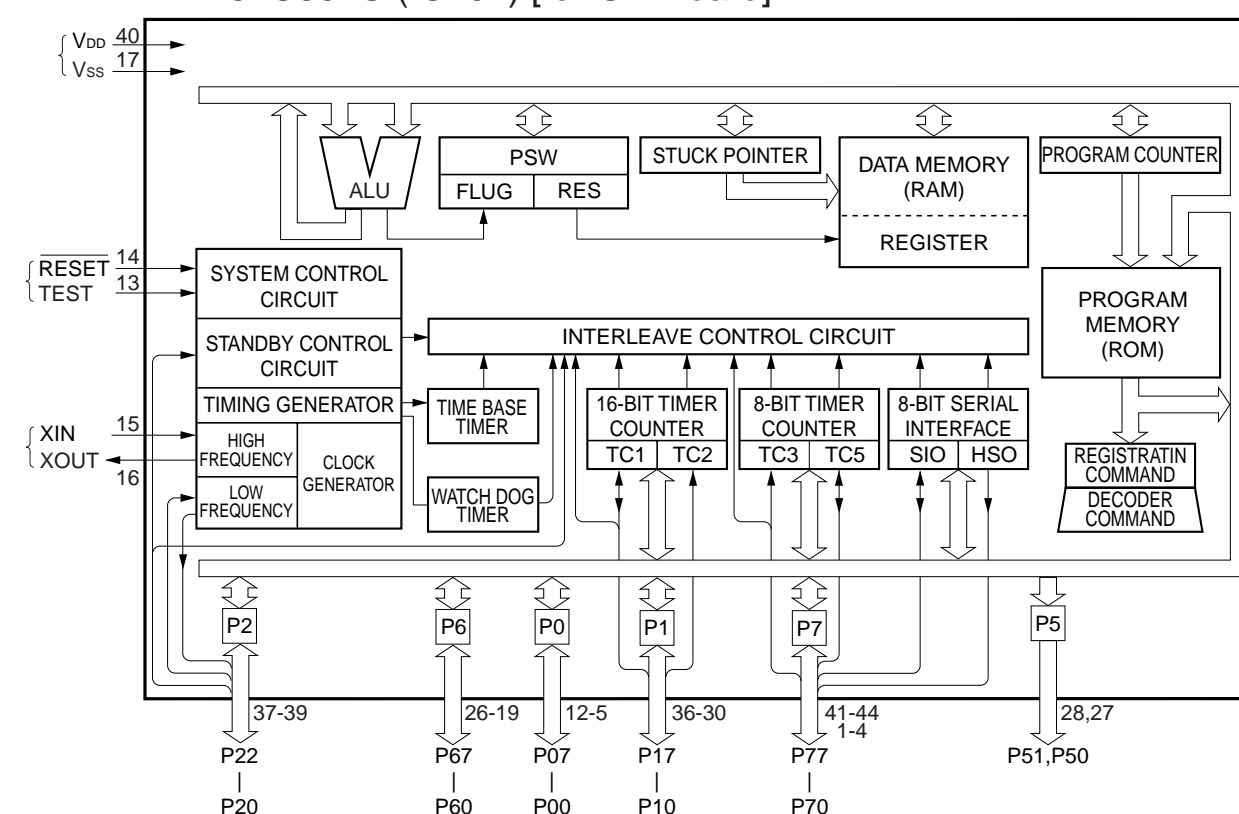




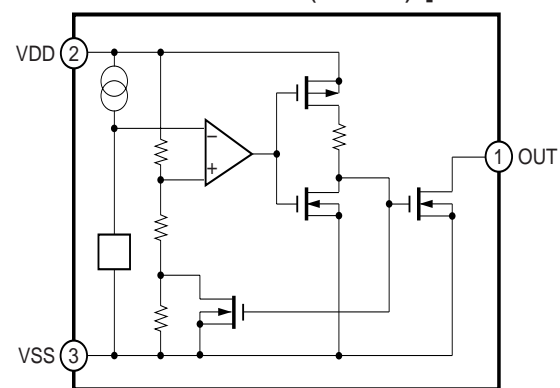
T7X16 (YEL) (IC305)



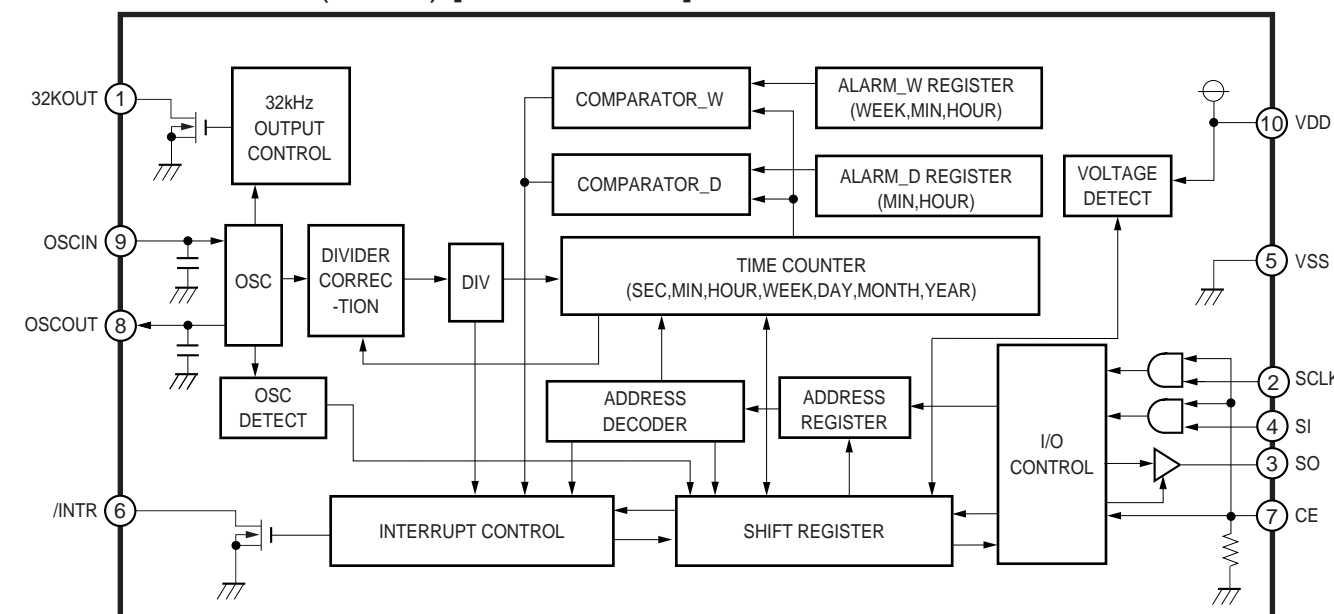
TMP87C807U (IC402) [for GD Board]



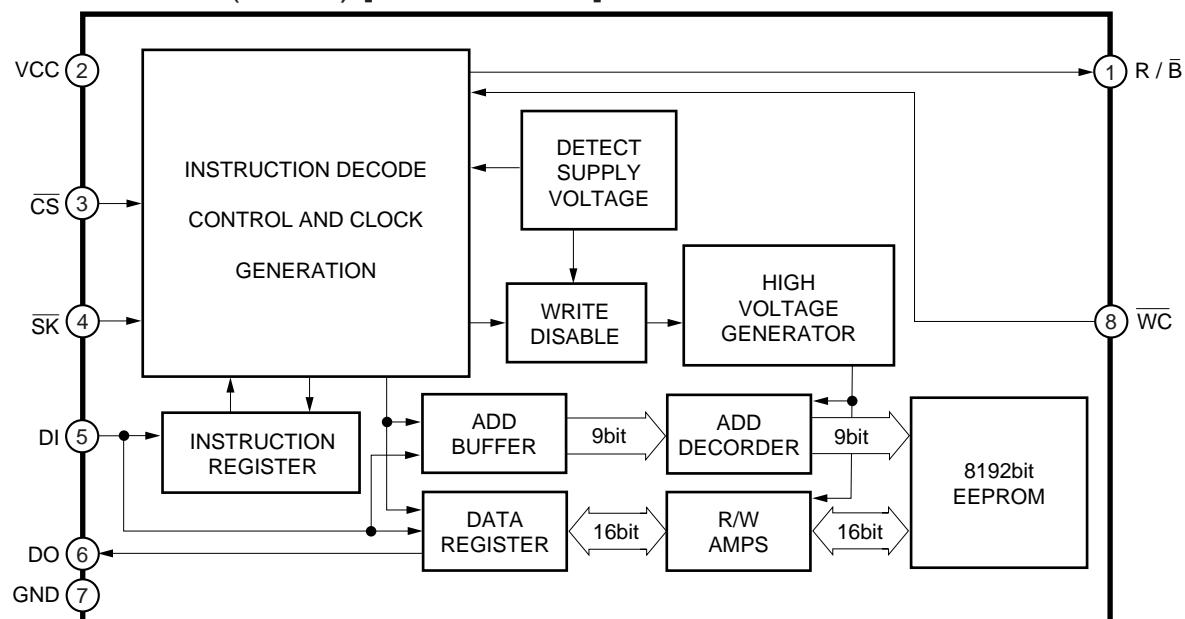
S-80769SN-JO (IC401) [for GD Board]



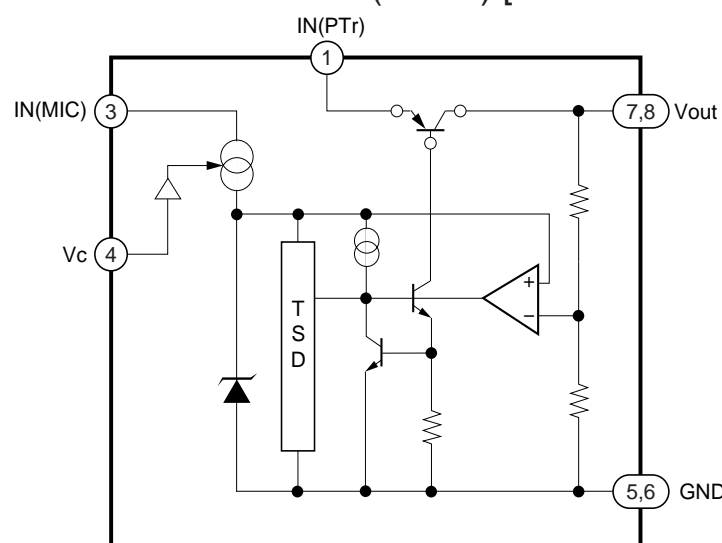
RS5C348A (IC405) [for GD Board]



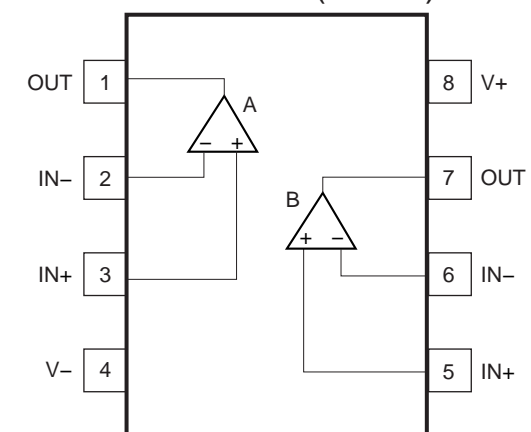
BR9080 (IC406) [for GD Board]



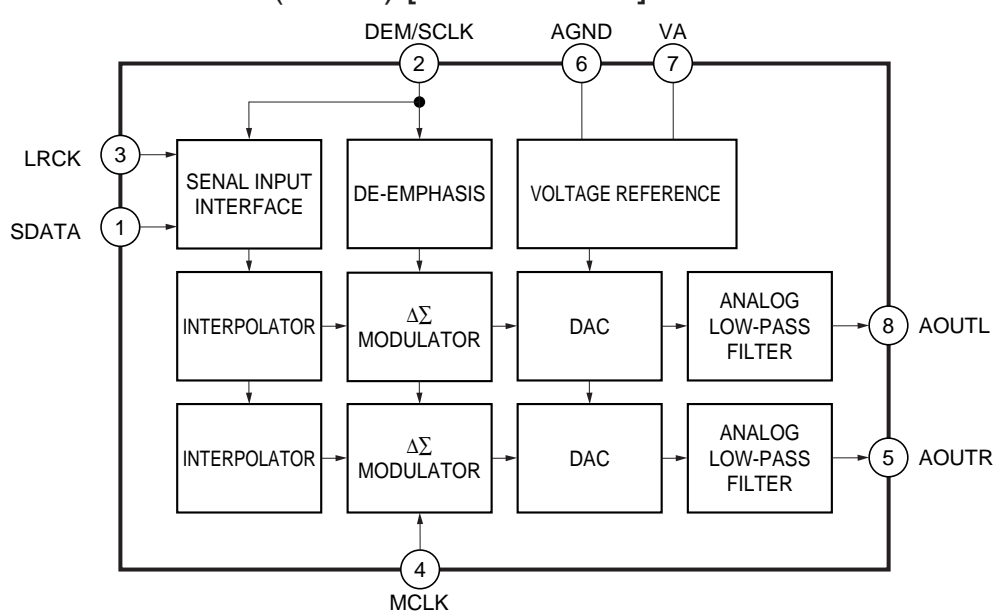
SI-3034LSA-TL (IC413) [for GD Board]



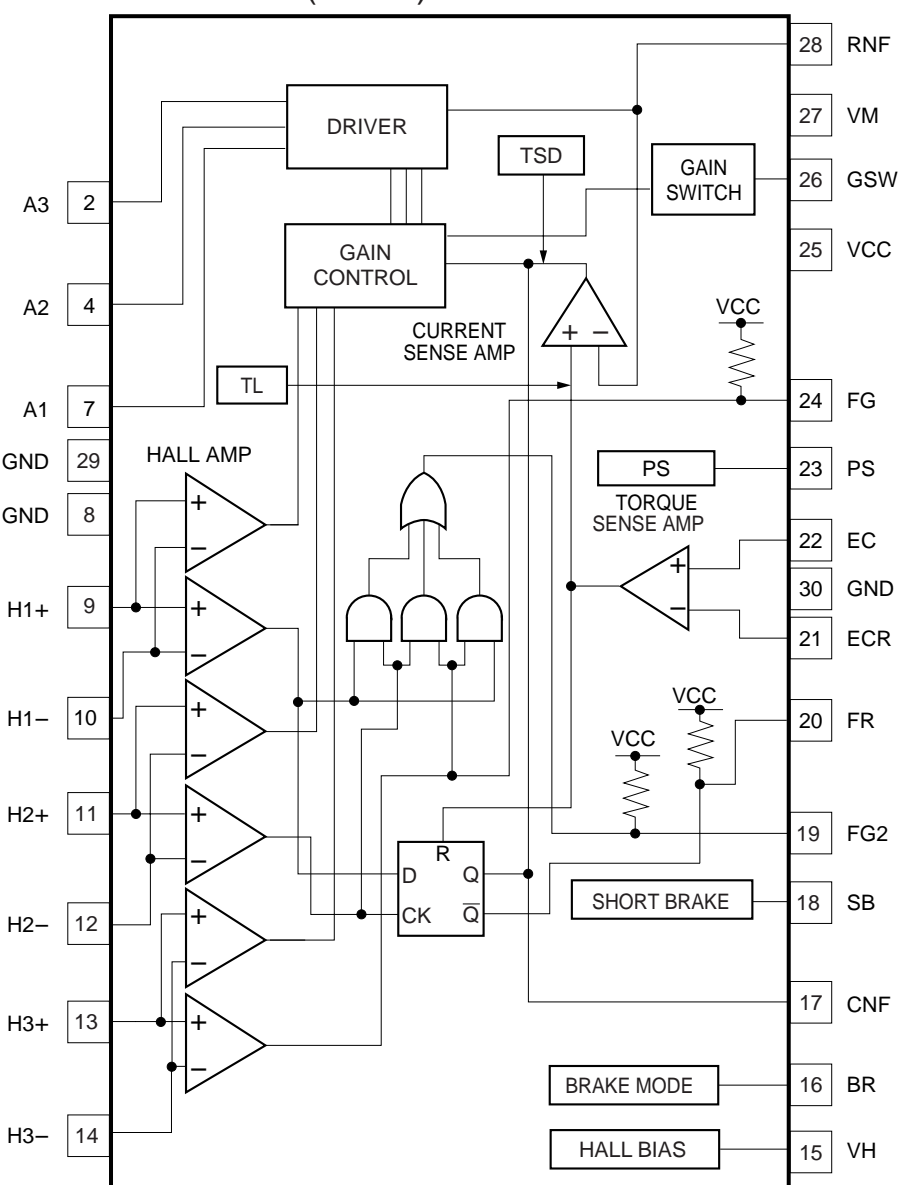
NJM2904V (IC602)



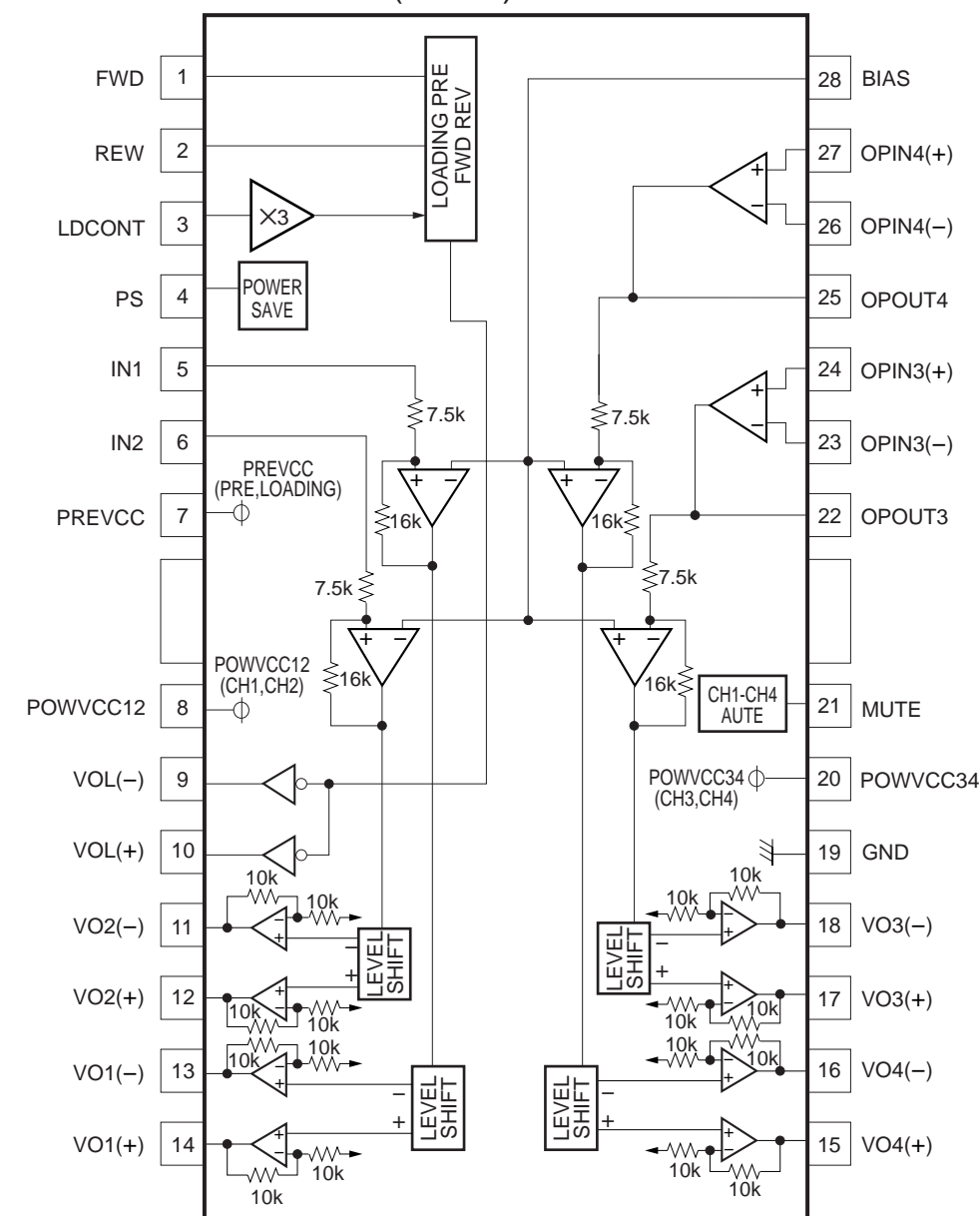
CS4334 (IC517) [for GH Board]



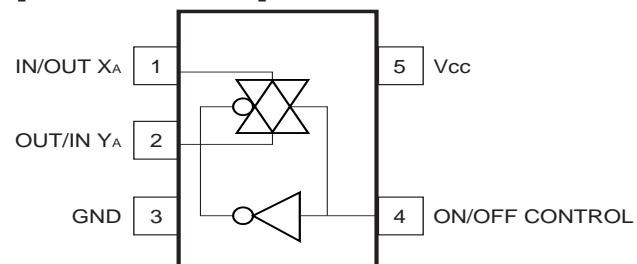
BA6664FM (IC700)



BA5810FP (IC703)



MC74VHC1G66DFT1 (IC606) [for GH Board]



SECTION 5 ELECTRICAL PARTS LIST

NOTE :

- Due to standardization, replacements in the parts list may be different from the parts specified in the diagrams or the components used on the set.
- -XX and -X mean standardized parts, so they may have some difference from the original one.
- RESISTERS
METAL : Metal-film resistor.
F : nonflammable
Unit is Ω.

SEMICONDUCTORS

In each case, u : μ, for example :
uA . . : μA . . . uPA . . : μPA . .
uPB . . : μPB . . uPC . . : μPC . . uPD . . : μPD . .

CAPACITORS

uF : μF

COILS

uH : μH

When indicating parts by reference number, please include the board.

The components identified by mark Δ or dotted line with mark. Δ are critical for safety. Replace only with part number specified.

NOTE :

- SC In each case :
S : Stocked parts
O : Ordered parts
U : Unsupply parts

Ref.	Part No.	Description
90	A-6712-760-A	MOUNTED CIRCUIT BOARD, GH-004
90	A-6712-862-A	MOUNTED CIRCUIT BOARD, GH-004-64
90	A-6712-816-A	MOUNTED CIRCUIT BOARD, GH-005
***** PLACE CODE #25GH		
<CAPACITOR>		
C101	1-128-964-91	CAP, CHIP TANTALUM ELECT 100MF
C102	1-128-964-91	CAP, CHIP TANTALUM ELECT 100MF
C103	1-128-964-91	CAP, CHIP TANTALUM ELECT 100MF
C104	1-107-826-91	CAP, CHIP CERAMIC 100000PF B
C105	1-107-826-91	CAP, CHIP CERAMIC 100000PF B
C106	1-107-826-91	CAP, CHIP CERAMIC 100000PF B
C107	1-107-826-91	CAP, CHIP CERAMIC 100000PF B
C108	1-107-826-91	CAP, CHIP CERAMIC 100000PF B
C109	1-107-826-91	CAP, CHIP CERAMIC 100000PF B
C110	1-107-826-91	CAP, CHIP CERAMIC 100000PF B
C111	1-107-826-91	CAP, CHIP CERAMIC 100000PF B
C112	1-107-826-91	CAP, CHIP CERAMIC 100000PF B
C113	1-107-826-91	CAP, CHIP CERAMIC 100000PF B
C114	1-107-826-91	CAP, CHIP CERAMIC 100000PF B
C115	1-107-826-91	CAP, CHIP CERAMIC 100000PF B
C116	1-107-826-91	CAP, CHIP CERAMIC 100000PF B
C117	1-107-826-91	CAP, CHIP CERAMIC 100000PF B
C118	1-107-826-91	CAP, CHIP CERAMIC 100000PF B
C119	1-107-826-91	CAP, CHIP CERAMIC 100000PF B
C120	1-107-826-91	CAP, CHIP CERAMIC 100000PF B
C121	1-107-826-91	CAP, CHIP CERAMIC 100000PF B
C122	1-107-826-91	CAP, CHIP CERAMIC 100000PF B
C123	1-107-826-91	CAP, CHIP CERAMIC 100000PF B
C124	1-107-826-91	CAP, CHIP CERAMIC 100000PF B
C125	1-107-826-91	CAP, CHIP CERAMIC 100000PF B
C126	1-107-826-91	CAP, CHIP CERAMIC 100000PF B
C127	1-107-826-91	CAP, CHIP CERAMIC 100000PF B
C128	1-107-826-91	CAP, CHIP CERAMIC 100000PF B
C129	1-107-826-91	CAP, CHIP CERAMIC 100000PF B
C130	1-162-919-91	CAP, CERAMIC 22PF CH 1608
C131	1-162-970-91	CAP, CERAMIC 10000PF B 1608
C132	1-107-826-91	CAP, CHIP CERAMIC 100000PF B
C133	1-162-919-91	CAP, CERAMIC 22PF CH 1608
C134	1-107-826-91	CAP, CHIP CERAMIC 100000PF B
C135	1-107-826-91	CAP, CHIP CERAMIC 100000PF B
C136	1-162-964-91	CAP,CHIP CERAMIC 1000PF B 1608
C137	1-107-826-91	CAP, CHIP CERAMIC 100000PF B
C138	1-107-826-91	CAP, CHIP CERAMIC 100000PF B
C139	1-107-826-91	CAP, CHIP CERAMIC 100000PF B
C140	1-107-826-91	CAP, CHIP CERAMIC 100000PF B
C141	1-128-964-91	CAP, CHIP TANTALUM ELECT 100MF
C142	1-107-826-91	CAP, CHIP CERAMIC 100000PF B
C143	1-107-826-91	CAP, CHIP CERAMIC 100000PF B
C144	1-107-826-91	CAP, CHIP CERAMIC 100000PF B
C145	1-107-826-91	CAP, CHIP CERAMIC 100000PF B

SCRef.	Part No.	Description
C146	1-162-964-91	CAP,CHIP CERAMIC 1000PF B 1608
C147	1-162-964-91	CAP,CHIP CERAMIC 1000PF B 1608
C148	1-107-826-91	CAP, CHIP CERAMIC 100000PF B
C149	1-107-826-91	CAP, CHIP CERAMIC 100000PF B
C150	1-162-970-91	CAP, CERAMIC 10000PF B 1608
C151	1-164-160-91	CAP,CERAMIC 20PF CH (1608)
C152	1-164-160-91	CAP,CERAMIC 20PF CH (1608)
C153	1-162-970-91	CAP, CERAMIC 10000PF B 1608
C154	1-162-970-91	CAP, CERAMIC 10000PF B 1608
C155	1-107-826-91	CAP, CHIP CERAMIC 100000PF B
C156	1-107-826-91	CAP, CHIP CERAMIC 100000PF B
C157	1-107-826-91	CAP, CHIP CERAMIC 100000PF B
C158	1-162-970-91	CAP, CERAMIC 10000PF B 1608
C159	1-107-826-91	CAP, CHIP CERAMIC 100000PF B
C160	1-162-925-91	CAP, CERAMIC 68PF CH 1608
C161	1-128-964-91	CAP, CHIP TANTALUM ELECT 100MF
C162	1-162-925-91	CAP, CERAMIC 68PF CH 1608
C163	1-128-964-91	CAP, CHIP TANTALUM ELECT 100MF
C164	1-128-964-91	CAP, CHIP TANTALUM ELECT 100MF
C168	1-162-964-91	CAP,CHIP CERAMIC 1000PF B 1608
C169	1-162-927-91	CAP, CERAMIC 100PF CH 1608
C170	1-125-837-91	CAP, CHIP CERAMIC 1MF B (1608)
C175	1-107-826-91	CAP, CHIP CERAMIC 100000PF B
C176	1-107-826-91	CAP, CHIP CERAMIC 100000PF B
C201	1-107-826-91	CAP, CHIP CERAMIC 100000PF B(GH-005)
C202	1-162-913-91	CAP, CERAMIC 22PF CH 1608 (GH-005)
C203	1-107-826-91	CAP, CHIP CERAMIC 100000PF B (GH-005)
C204	1-162-970-91	CAP, CERAMIC 10000PF B (1608)(GH-005)
C205	1-107-826-91	CAP, CHIP CERAMIC 100000PF B (GH-005)
C206	1-162-964-71	CAP, CHIP CERAMIC 1000PF B 1608(GH-005)
C206	1-162-964-91	CAP,CHIP CERAMIC 1000PF B 1608 (GH-005)
C207	1-162-913-91	CAP, CERAMIC 22PF CH 1608 (GH-005)
C208	1-162-964-71	CAP,CHIP CERAMIC 1000PF B 1608 (GH-005)
C208	1-162-964-91	CAP,CHIP CERAMIC 1000PF B 1608 (GH-005)
C209	1-107-826-91	CAP, CHIP CERAMIC 100000PF B (GH-005)
C210	1-162-964-71	CAP,CHIP CERAMIC 1000PF B 1608 (GH-005)
C210	1-162-964-91	CAP,CHIP CERAMIC 1000PF B 1608 (GH-005)
C211	1-107-826-91	CAP, CHIP CERAMIC 100000PF B (GH-005)
C212	1-125-837-91	CAP, CHIP CERAMIC 1MF B (1608)(GH-004)
C212	1-107-826-91	CAP, CHIP CERAMIC 100000PF B (GH-005)
C213	1-125-837-91	CAP, CHIP CERAMIC 1MF B (1608)(GH-004)
C213	1-107-826-91	CAP, CHIP CERAMIC 100000PF B (GH-005)
C214	1-125-837-91	CAP, CHIP CERAMIC 1MF B (1608)(GH-004)
C214	1-107-826-91	CAP, CHIP CERAMIC 100000PF B (GH-005)
C215	1-125-837-91	CAP, CHIP CERAMIC 1MF B (1608)(GH-004)
C215	1-107-826-91	CAP, CHIP CERAMIC 100000PF B (GH-005)
C216	1-125-837-91	CAP, CHIP CERAMIC 1MF B (1608) (GH-004)
C216	1-107-826-91	CAP, CHIP CERAMIC 100000PF B (GH-005)
C217	1-125-837-91	CAP, CHIP CERAMIC 1MF B (1608)(GH-004)
C217	1-107-826-91	CAP, CHIP CERAMIC 100000PF B (GH-005)
C218	1-125-837-91	CAP, CHIP CERAMIC 1MF B(1608)(GH-004)

Ref.	Part No.	Description
C218	1-107-826-91	CAP, CHIP CERAMIC 100000PF B (GH-005)
C219	1-125-837-91	CAP, CHIP CERAMIC 1MF B (1608)(GH-004)
C219	1-107-826-91	CAP, CHIP CERAMIC 100000PF B (GH-005)
C220	1-125-837-91	CAP, CHIP CERAMIC 1MF B (1608)(GH-004)
C220	1-107-826-91	CAP, CHIP CERAMIC 100000PF B (GH-005)
C221	1-125-837-91	CAP, CHIP CERAMIC 1MF B (1608)(GH-004)
C221	1-107-826-91	CAP, CHIP CERAMIC 100000PF B (GH-005)
C222	1-125-837-91	CAP, CHIP CERAMIC 1MF B (1608)
C223	1-125-837-91	CAP, CHIP CERAMIC 1MF B (1608)
C224	1-125-837-91	CAP, CHIP CERAMIC 1MF B (1608)
C225	1-125-837-91	CAP, CHIP CERAMIC 1MF B (1608)
C226	1-125-837-91	CAP, CHIP CERAMIC 1MF B (1608)(GH-004)
C226	1-107-826-91	CAP, CHIP CERAMIC 100000PF B (GH-005)
C227	1-125-837-91	CAP, CHIP CERAMIC 1MF B (1608)(GH-004)
C227	1-107-826-91	CAP, CHIP CERAMIC 100000PF B (GH-005)
C228	1-125-837-91	CAP, CHIP CERAMIC 1MF B (1608)
C229	1-125-837-91	CAP, CHIP CERAMIC 1MF B (1608)
C230	1-125-837-91	CAP, CHIP CERAMIC 1MF B (1608)
C231	1-125-837-91	CAP, CHIP CERAMIC 1MF B (1608)(GH-004)
C231	1-107-826-91	CAP, CHIP CERAMIC 100000PF B (GH-005)
C232	1-125-837-91	CAP, CHIP CERAMIC 1MF B (1608)(GH-004)
C232	1-107-826-91	CAP, CHIP CERAMIC 100000PF B (GH-005)
C233	1-125-837-91	CAP, CHIP CERAMIC 1MF B (1608)
C234	1-125-837-91	CAP, CHIP CERAMIC 1MF B (1608)
C235	1-125-837-91	CAP, CHIP CERAMIC 1MF B (1608)
C236	1-125-837-91	CAP, CHIP CERAMIC 1MF B (1608)(GH-004)
C236	1-107-826-91	CAP, CHIP CERAMIC 100000PF B (GH-005)
C237	1-125-837-91	CAP, CHIP CERAMIC 1MF B (1608)(GH-004)
C237	1-107-826-91	CAP, CHIP CERAMIC 100000PF B (GH-005)
C238	1-125-837-91	CAP, CHIP CERAMIC 1MF B (1608)
C239	1-125-837-91	CAP, CHIP CERAMIC 1MF B (1608)(GH-004)
C239	1-107-826-91	CAP, CHIP CERAMIC 100000PF B (GH-005)
C240	1-125-837-91	CAP, CHIP CERAMIC 1MF B (1608)
C241	1-125-837-91	CAP, CHIP CERAMIC 1MF B (1608)
C242	1-128-707-22	CAP, TANTALUM ELECT (SMD)220
C243	1-135-609-91	CAP, CHIP TANTALUM ELECT 220MF
C244	1-128-707-22	CAP, TANTALUM ELECT (SMD)220
C245	1-128-707-22	CAP, TANTALUM ELECT (SMD)220
C247	1-107-826-91	CAP, CHIP CERAMIC 100000PF B
C248	1-107-826-91	CAP, CHIP CERAMIC 100000PF B
C249	1-115-156-91	CAP, CERAMIC 100000PF F 1608
C250	1-127-760-91	CAP, CERAMIC 4.7MF (2012)
C252	1-107-826-91	CAP, CHIP CERAMIC 100000PF B
C254	1-107-826-91	CAP, CHIP CERAMIC 100000PF B
C255	1-107-826-91	CAP, CHIP CERAMIC 100000PF B
C256	1-107-826-91	CAP, CHIP CERAMIC 100000PF B
C257	1-125-837-91	CAP, CHIP CERAMIC 1MF B (1608)
C261	1-128-004-21	CAP, ELECT (CHIP) 10MF
C262	1-128-004-21	CAP, ELECT (CHIP) 10MF
C263	1-128-004-21	CAP, ELECT (CHIP) 10MF
C265	1-117-720-91	CAP, CERAMIC 4.7MF F (2012)
C266	1-128-004-21	CAP, ELECT (CHIP) 10MF
C267	1-126-210-21	CAP, ELECT 220MF
C268	1-126-210-21	CAP, ELECT 220MF
C269	1-164-160-91	CAP,CERAMIC 20PF CH (1608)
C270	1-125-777-81	CAP, CHIP CERAMIC 0.1MF B 1005
C271	1-125-777-81	CAP, CHIP CERAMIC 0.1MF B 1005
C272	1-125-777-81	CAP, CHIP CERAMIC 0.1MF B 1005
C275	1-125-777-81	CAP, CHIP CERAMIC 0.1MF B 1005
C276	1-164-874-81	CAP,CHIP CERAMIC 100PF CH 1005
C277	1-164-874-81	CAP,CHIP CERAMIC 100PF CH 1005
C278	1-113-619-91	CAP, CERAMIC 470000PF F (1608)
C279	1-113-619-91	CAP, CERAMIC 470000PF F (1608)
C281	1-115-156-91	CAP, CERAMIC 100000PF F 1608 (GH-004)
C282	1-113-619-91	CAP, CERAMIC 470000PF F (1608)
C283	1-107-826-91	CAP, CHIP CERAMIC 100000PF B (GH-004)

Ref.	Part No.	Description
C285	1-113-619-91	CAP, CERAMIC 470000PF F (1608)
C286	1-113-619-91	CAP, CERAMIC 470000PF F (1608)
C287	1-107-826-91	CAP, CHIP CERAMIC 100000PF B
C288	1-125-837-91	CAP, CHIP CERAMIC 1MF B (1608)
C289	1-164-937-81	CAP, CHIP CERAMIC 1000PF B 1005
C290	1-113-619-91	CAP, CERAMIC 470000PF F (1608)
C291	1-162-921-91	CAP, CERAMIC 33PF CH 1608
C292	1-107-725-91	CAP, CERAMIC 100000PF B (2012)
C293	1-137-765-21	CAP, ELECT 47MF
C294	1-107-826-91	CAP, CHIP CERAMIC 100000PF B (GH-004)
C295	1-107-826-91	CAP, CHIP CERAMIC 100000PF B (GH-004)
C296	1-126-210-21	CAP, ELECT 220MF
C297	1-126-210-21	CAP, ELECT 220MF
C298	1-126-210-21	CAP, ELECT 220MF
C302	1-125-777-81	CAP, CHIP CERAMIC 0.1MF B 1005
C303	1-125-777-81	CAP, CHIP CERAMIC 0.1MF B 1005
C304	1-164-937-81	CAP, CHIP CERAMIC 1000PF B 1005
C306	1-164-387-91	CAP, CERAMIC 240PF CH 1608
C307	1-107-826-91	CAP, CHIP CERAMIC 100000PF B
C308	1-165-112-91	CAP, CERAMIC 330000PF F (1608)
C309	1-162-970-91	CAP, CERAMIC 10000PF B 1608
C310	1-162-970-91	CAP, CERAMIC 10000PF B 1608
C311	1-162-916-91	CAP, CERAMIC 12PF CH 1608
C312	1-162-917-91	CAP, CERAMIC 15PF CH 1608
C313	1-162-910-91	CAP, CERAMIC 5.0PF CH 1608
C314	1-162-910-91	CAP, CERAMIC 5.0PF CH 1608
C315	1-125-777-81	CAP, CHIP CERAMIC 0.1MF B 1005
C316	1-165-112-91	CAP, CERAMIC 330000PF F (1608)
C317	1-162-970-91	CAP, CERAMIC 10000PF B 1608
C318	1-162-970-91	CAP, CERAMIC 10000PF B 1608
C319	1-162-970-91	CAP, CERAM

Ref.	Part No.	Description
FB306	1-414-555-21	FERRITE, EMI (SMD)
FB307	1-414-555-21	FERRITE, EMI (SMD)
FB308	1-414-555-21	FERRITE, EMI (SMD)
FB309	1-414-555-21	FERRITE, EMI (SMD)
FB310	1-414-555-21	FERRITE, EMI (SMD)
FB311	1-414-555-21	FERRITE, EMI (SMD)
FB312	1-414-555-21	FERRITE, EMI (SMD)
FB313	1-469-324-21	FERRITE, EMI (SMD)
FB314	1-469-324-21	FERRITE, EMI (SMD)
FB315	1-469-324-21	FERRITE, EMI (SMD)
FB316	1-469-324-21	FERRITE, EMI (SMD)
<FILTER>		
FL201	1-469-642-21	FILTER, EMI (SMD) (2125)
FL202	1-469-642-21	FILTER, EMI (SMD) (2125)
FL203	1-469-642-21	FILTER, EMI (SMD) (2125)
FL301	1-234-601-21	FILTER (USB)
FL302	1-234-601-21	FILTER (USB)
<IC>		
IC101	8-759-658-75	IC CY2212ZC-1T (GH-004)
IC101	8-759-653-46	IC SN104971PWR (GH-005)
IC102	8-759-666-89	IC TC59RM716GB-8(YEL)
IC103	8-759-666-89	IC TC59RM716GB-8(YEL)
IC104	8-759-699-09	IC CXD9615GB
IC105	8-759-689-90	IC LM74CIMX-3
IC201	8-759-653-46	IC SN104971PWR (GH-005)
IC202	8-759-699-08	IC CXD2944GB (GH-004)
IC202	8-752-404-01	IC CXD2934GB-T7 (GH-005)
IC205	8-759-696-97	IC SC44728APBEB
IC206	8-752-093-56	IC CXA3525R-T4
IC207	8-759-391-69	IC MC78M05CDT
IC208	8-759-683-81	IC SN74CBT1G125DCKR (GH-004)
IC209	8-759-697-60	IC MM3071CFBE
IC303	8-759-699-11	IC CXD9619GB
IC305	8-759-496-87	IC T7X16(YEL)
IC306	8-759-688-07	IC MM3051NULU
IC401	8-759-391-69	IC MC78M05CDT
IC403	8-759-581-11	IC NJM2125F(T2)
IC501	8-759-699-10	IC CXD9611R
IC502	8-759-712-79	IC K4E151612D-TL50T00
IC503	8-759-712-83	IC MR27V3202E-19TPZ020 (GH-004/005)
IC504	8-752-408-53	IC CXD2942AR
IC505	8-759-830-91	IC TC5364200FT-PA01 (GH-004-64)
IC506	8-759-712-84	IC MR27V3202E-20TPZ020 (GH-004/005)
IC517	8-759-667-10	IC CS4335-KS
IC518	8-759-680-49	IC TC7WB125FK(T285R) (GH-004-64)
IC602	8-759-693-13	IC NJM12904V(T2)
IC603	8-759-370-11	IC NJM2100V-TE2
IC604	8-752-919-93	IC CXP102064-101R-T6
IC605	8-752-409-02	IC CXD1869AQ
IC606	8-759-712-38	IC HD74HC1G66CME
IC607	8-759-712-38	IC HD74HC1G66CME
IC700	8-759-588-60	IC BA6664FM-E2
IC701	8-759-370-11	IC NJM2100V-TE2
IC703	8-759-658-87	IC BA5810FP-E2
<INDUCTOR>		
L102	1-414-398-41	INDUCTOR (SMD) 10.0UH
L202	1-414-398-41	INDUCTOR (SMD) 10.0UH (GH-005)
L203	1-469-967-21	INDUCTOR, CHIP 10UH (2518)
L205	1-469-967-21	INDUCTOR, CHIP 10UH (2518) (GH-004)
L206	1-412-960-21	INDUCTOR, SMALL TYPE 56UH 2518
<COIL>		
LF101	1-419-100-21	COIL, COMMON-MODE CHOKE

Ref.	Part No.	Description
LF303	1-419-521-21	COIL, COMMOM MODE CHOKE
LF304	1-419-521-21	COIL, COMMOM MODE CHOKE
LF305	1-419-521-21	COIL, COMMOM MODE CHOKE
LF306	1-419-521-21	COIL, COMMOM MODE CHOKE
<LINK>		
PS401	1-576-259-21	RINK, IC
PS403	1-533-915-41	RINK, CHIP IC
PS601	1-533-940-21	RINK, CHIP IC
PS751	1-533-282-21	LINK, IC
PS752	1-533-940-21	RINK, CHIP IC
<TRANSISTOR>		
Q201	8-729-026-50	TRANSISTOR 2SA1037AK-T146-QR (GH-004)
Q201	8-729-026-50	TRANSISTOR 2SA1037AK-T146-QR (GH-005)
Q204	8-729-049-77	TRANSISTOR HN1B01F-GR(T5LSONY)
Q205	8-729-427-71	TRANSISTOR XP4401-TXE
Q206	8-729-014-34	TRANSISTOR RN2311-TE85L (GH-005)
Q401	8-729-054-34	TRANSISTOR FDN304P
Q407	8-729-052-41	TRANSISTOR 2SC4541 (2TL SONY1)
Q505	8-729-047-48	TRANSISTOR UMD12N-TR
Q506	8-729-047-71	TRANSISTOR FMG12-T-148
Q600	8-729-048-50	TRANSISTOR 2SK3018-T106
Q601	8-729-029-14	TRANSISTOR DTC144EUA-T106
Q603	8-729-017-33	TRANSISTOR RN1706-TE85R (GH-004)
Q603	8-729-017-33	TRANSISTOR RN1706-TE85R (GH-005)
Q700	8-729-029-13	TRANSISTOR DTC143ZUA-T106 (GH-004)
Q700	8-729-029-13	TRANSISTOR DTC143ZUA-T106 (GH-005)
<RESISTOR>		
R101	1-211-983-91	RES, CHIP 39 (1608)
R102	1-218-826-91	RES, CHIP 130 (1608)
R103	1-211-983-91	RES, CHIP 39 (1608)
R104	1-218-826-91	RES, CHIP 130 (1608)
R105	1-216-864-91	CONDUCTOR, CHIP (1608)
R106	1-216-809-91	RES, CHIP 100 (1608)
R107	1-216-809-91	RES, CHIP 100 (1608)
R109	1-216-829-91	RES, CHIP 4.7K (1608)
R110	1-211-983-91	RES, CHIP 39 (1608)
R111	1-211-983-91	RES, CHIP 39 (1608)
R112	1-211-989-91	RES, CHIP 68 (1608)
R113	1-211-989-91	RES, CHIP 68 (1608)
R114	1-211-983-91	RES, CHIP 39 (1608)
R115	1-211-983-91	RES, CHIP 39 (1608)
R116	1-211-983-91	RES, CHIP 39 (1608)
R117	1-211-983-91	RES, CHIP 39 (1608)
R118	1-211-973-91	RES, CHIP 15 (1608)
R119	1-211-973-91	RES, CHIP 15 (1608)
R120	1-211-973-91	RES, CHIP 15 (1608)
R121	1-211-973-91	RES, CHIP 15 (1608)
R122	1-216-864-91	CONDUCTOR, CHIP (1608)
R123	1-216-864-91	CONDUCTOR, CHIP (1608)
R124	1-216-864-91	CONDUCTOR, CHIP (1608)
R125	1-216-864-91	CONDUCTOR, CHIP (1608)
R126	1-216-833-91	RES, CHIP 10K (1608)
R127	1-216-829-91	RES, CHIP 4.7K (1608)
R128	1-216-829-91	RES, CHIP 4.7K (1608)
R129	1-216-821-91	RES, CHIP 1.0K (1608)
R130	1-216-817-91	RES, CHIP 470 (1608)
R131	1-216-833-91	RES, CHIP 10K (1608)
R132	1-216-833-91	RES, CHIP 10K (1608)
R133	1-216-833-91	RES, CHIP 10K (1608)
R134	1-216-833-91	RES, CHIP 10K (1608)
R135	1-216-864-91	CONDUCTOR, CHIP (1608)
R136	1-216-864-91	CONDUCTOR, CHIP (1608)
R138	1-216-864-91	CONDUCTOR, CHIP (1608)
R145	1-216-821-91	RES, CHIP 1.0K (1608)

Ref.	Part No.	Description
R146	1-216-821-91	RES, CHIP 1.0K (1608)
R147	1-216-821-91	RES, CHIP 1.0K (1608)
R185	1-216-829-91	RES, CHIP 4.7K (1608)
R188	1-216-829-91	RES, CHIP 4.7K (1608)
R196	1-216-801-91	RES, CHIP 22 (1608)
R201	1-216-864-91	CONDUCTOR, CHIP (1608)(GH-005)
R202	1-216-833-91	RES, CHIP 10K (1608)
R203	1-216-864-91	CONDUCTOR, CHIP (1608)(GH-004)
R205	1-216-864-91	CONDUCTOR, CHIP (1608)(GH-004)
R208	1-216-864-91	CONDUCTOR, CHIP (1608)(GH-004)
R209	1-218-828-91	RES, CHIP 130 (1608)(GH-005)
R212	1-216-864-91	CONDUCTOR, CHIP (1608)(GH-004)
R213	1-216-864-91	CONDUCTOR, CHIP (1608)(GH-004)
R215	1-216-864-91	CONDUCTOR, CHIP (1608)(GH-004)
R216	1-216-809-91	RES, CHIP 100 (1608)(GH-004)
R217	1-218-859-91	RES, CHIP 3.3K (1608)
R218	1-218-847-91	RES, CHIP 1.0K (1608)
R219	1-218-851-91	RES, CHIP 1.5K (1608)
R220	1-216-801-91	RES, CHIP 22 (1608)
R225	1-216-833-91	RES, CHIP 10K (1608)(GH-004)
R225	1-216-829-91	RES, CHIP 4.7K (1608)(GH-005)
R226	1-218-965-81	RES, CHIP 10K (1608)
R227	1-216-864-91	CONDUCTOR, CHIP (1608)(GH-004)
R228	1-218-965-81	RES, CHIP 10K (1608)
R233	1-216-821-91	RES, CHIP 1.0K (1608)
R236	1-216-809-91	RES, CHIP 100 (1608)
R237	1-216-829-91	RES, CHIP 4.7K (1608)
R244	1-218-831-91	RES, CHIP 220 (1608)
R245	1-218-831-91	RES, CHIP 220 (1608)
R246	1-218-831-91	RES, CHIP 220 (1608)
R247	1-216-801-91	RES, CHIP 22 (1608)
R251	1-216-839-91	RES, CHIP 33K (1608)
R252	1-216-839-91	RES, CHIP 33K (1608)
R253	1-216-833-91	RES, CHIP 10K (1608)
R257	1-216-824-91	RES, CHIP 1.8K (1608)
R258	1-218-883-91	RES, CHIP 33K (1608)
R259	1-216-824-91	RES, CHIP 1.8K (1608)
R261	1-216-829-91	RES, CHIP 4.7K (1608)
R263	1-216-825-91	RES, CHIP 2.2K (1608)
R264	1-216-821-91	RES, CHIP 1.0K (1608)
R265	1-216-821-91	RES, CHIP 1.0K (1608)
R270	1-218-853-91	RES, CHIP 1.8K (1608)
R272	1-218-859-91	RES, CHIP 3.3K (1608)
R273	1-218-851-91	RES, CHIP 1.5K (1608)
R277	1-218-853-91	RES, CHIP 1.8K (1608)
R278	1-218-859-91	RES, CHIP 3.3K (1608)
R279	1-218-851-91	RES, CHIP 1.5K (1608)
R292	1-216-833-91	RES, CHIP 10K (1608)
R294	1-216-829-91	RES, CHIP 4.7K (1608)
R295	1-216-817-91	RES, CHIP 470 (1608)(GH-004)
R307	1-211-987-91	RES, CHIP 56 (1608)
R308	1-218-864-91	RES, CHIP 5.1K (1608)
R309	1-211-987-91	RES, CHIP 56 (1608)
R310	1-211-987-91	RES, CHIP 56 (1608)
R311	1-216-829-91	RES, CHIP 4.7K (1608)
R312	1-211-987-91	RES, CHIP 56 (1608)
R315	1-218-866-91	RES, CHIP 6.2K (1608)
R316	1-216-797-91	RES, CHIP 10 (1608)
R318	1-216-864-91	CONDUCTOR, CHIP (1608)
R320	1-219-570-91	RES, CHIP 10M (1608)
R321	1-216-813-91	RES, CHIP 220 (1608)
R322	1-218-989-81	RES, CHIP 1M (1608)
R324	1-218-965-81	RES, CHIP 10K (1608)
R327	1-216-833-91	RES, CHIP 10K (1608)
R328	1-216-841-91	RES, CHIP 47K (1608)
R330	1-216-803-91	RES, CHIP 33 (1608)

Ref.	Part No.	Description
R331	1-216-864-91	CONDUCTOR, CHIP (1608)
R332	1-216-817-91	RES, CHIP 470 (1608)
R333	1-216-817-91	RES, CHIP 470 (1608)
R334	1-216-829-91	RES, CHIP 4.7K (1608)
R335	1-216-829-91	RES, CHIP 4.7K (1608)
R336	1-216-821-91	RES, CHIP 1.0K (1608)
R347	1-211-986-91	RES, CHIP 51 (1608)
R349	1-216-821-91	RES, CHIP 1.0K (1608)
R350	1-216-807-91	RES, CHIP 68 (1608)
R351	1-216-805-91	RES, CHIP 47 (1608)
R352	1-216-797-91	RES, CHIP 10 (1608)
R355	1-218-933-81	RES, CHIP 22 (1608)
R356	1-216-801-91	RES, CHIP 22 (1608)
R357	1-218-933-81	RES, CHIP 22 (1608)
R358	1-218-933-81	RES, CHIP 22 (1608)
R359	1-216-801-91	RES, CHIP 22 (1608)
R360	1-216-805-91	RES, CHIP 47 (1608)
R361	1-216-805-91	RES, CHIP 47 (1608)
R362	1-218-937-81	RES, CHIP 47 (1608)
R363	1-216-864-91	CONDUCTOR, CHIP (1608)
R364	1-216-805-91	RES, CHIP 47 (1608)
R365	1-216-805-91	RES, CHIP 47 (1608)
R366	1-218-937-81	RES, CHIP 47 (1608)
R367	1-216-805-91	RES, CHIP 47 (1608)
R368	1-216-805-91	RES, CHIP 47 (1608)
R394	1-216-833-91	RES, CHIP 10K (1608)
R395	1-216-825-91	RES, CHIP 2.2K (1608)
R401	1-218-989-81	RES, CHIP 1M (1608)
R402	1-218-977-81	RES, CHIP 100K (1608)
R403	1-216-025-91	RES, CHIP 100 (2012)
R404	1-216-025-91	RES, CHIP 100 (2012)
R405	1-216-025-91	RES, CHIP 100 (2012)
R406	1-216-025-91	RES, CHIP 100 (2012)
R407	1-216-025-91	RES, CHIP 100 (2012)
R408	1-216-025-91	RES, CHIP 100 (2012)
R410	1-216-864-91	CONDUCTOR, CHIP (1608)(GH-005)
R422	1-218-985-81	RES, CHIP 470K (1608)
R423	1-218-863-91	RES, CHIP 4.7K (1608)
R424	1-218-871-91	RES, CHIP 10K (1608)
R425	1	

Ref.	Part No.	Description	Ref.	Part No.	Description	Ref.	Part No.	Description	Ref.	Part No.	Description
R614	1-218-965-81	RES, CHIP 10K	R795	1-218-899-91	RES, CHIP 150K (1608)	RB296	1-234-598-21	RES, CHIP NETWORK 75X4 (3216)			<CAPACITOR>
R615	1-216-864-91	CONDUCTOR, CHIP (1608)	R796	1-216-864-91	CONDUCTOR, CHIP (1608)	RB297	1-234-599-21	RES, CHIP NETWORK 180X4 (3216)	C401	1-107-826-91	CAP, CHIP CERAMIC 100000PF B
R616	1-216-864-91	CONDUCTOR, CHIP (1608)	R797	1-216-864-91	CONDUCTOR, CHIP (1608)	RB298	1-234-598-21	RES, CHIP NETWORK 75X4 (3216)	C402	1-164-505-91	CAP, CHIP CERAMIC 2.2MF F (2012)
R618	1-216-845-91	RES, CHIP 100K (1608)	R901	1-216-805-91	RES, CHIP 47 (1608)	RB303	1-233-412-21	RES, CHIP NETWORK 1.0K (3216)	C403	1-162-964-91	CAP,CHIP CERAMIC 1000PF B (1608)
R619	1-216-833-91	RES, CHIP 10K (1608)	R902	1-216-805-91	RES, CHIP 47 (1608)	RB305	1-233-575-21	RES, CHIP NETWORK 22	C404	1-125-837-91	CAP, CHIP CERAMIC 1MF B (1608)(GD-011)
R620	1-216-833-91	RES, CHIP 10K (1608)	R974	1-216-801-91	RES, CHIP 22 (1608)	RB310	1-233-414-21	RES, CHIP NETWORK 4.7K (3216)	C405	1-107-826-91	CAP, CHIP CERAMIC 100000PF B
R621	1-216-839-91	RES, CHIP 33K (1608)	R975	1-216-801-91	RES, CHIP 22 (1608)	RB311	1-233-679-91	RES, NETWORK (1608) 470	C407	1-107-826-91	CAP, CHIP CERAMIC 100000PF B
R623	1-216-837-91	RES, CHIP 22K (1608)	R984	1-216-864-91	CONDUCTOR, CHIP (1608)	RB312	1-233-786-91	RES, NETWORK 220 (1608)	C408	1-125-837-91	CAP, CHIP CERAMIC 1MF B (1608)
R624	1-216-850-91	RES, CHIP 270K (1608)	RB101	1-234-496-21	ARRAY, RESISTOR 39	RB314	1-233-681-91	RES, NETWORK (1608) 4.7K	C409	1-162-969-91	CAP, CHIP CERAMIC 6800PF B (1608)
R625	1-216-839-91	RES, CHIP 33K (1608)	RB102	1-234-496-21	ARRAY, RESISTOR 39	RB317	1-233-423-21	RES, CHIP NETWORK 47 (3216)	C410	1-162-969-91	CAP, CHIP CERAMIC 6800PF B(1608)(GD-011)
R626	1-218-965-81	RES, CHIP 10K	RB103	1-234-496-21	ARRAY, RESISTOR 39	RB318	1-233-423-21	RES, CHIP NETWORK 47 (3216)	C414	1-162-965-91	CAP, CHIP CERAMIC 1500PF B (1608)
R627	1-216-835-91	RES, CHIP 15K (1608)	RB104	1-234-496-21	ARRAY, RESISTOR 39	RB319	1-233-423-21	RES, CHIP NETWORK 47 (3216)	C415	1-162-965-91	CAP, CHIP CERAMIC 1500PF B (1608)
R628	1-216-844-91	RES, CHIP 82K (1608)	RB105	1-234-496-21	ARRAY, RESISTOR 39	RB320	1-233-423-21	RES, CHIP NETWORK 47 (3216)	C416	1-107-826-91	CAP, CHIP CERAMIC 100000PF B
R629	1-216-833-91	RES, CHIP 10K (1608)	RB106	1-234-496-21	ARRAY, RESISTOR 39	RB321	1-233-423-21	RES, CHIP NETWORK 47 (3216)	C417	1-164-379-91	CAP, CHIP CERAMIC 43PF CH (1608)
R630	1-216-837-91	RES, CHIP 22K (1608)	RB107	1-233-423-21	RES, CHIP NETWORK 47 (3216) (GH-004)	RB322	1-233-412-21	RES, CHIP NETWORK 1.0K (3216)	C418	1-107-826-91	CAP, CHIP CERAMIC 100000PF B
R631	1-216-821-91	RES, CHIP 1.0K (1608)	RB107	1-233-575-21	RES, CHIP NETWORK 22 (GH-005)	RB323	1-233-412-21	RES, CHIP NETWORK 1.0K (3216)	C419	1-162-970-91	CAP, CHIP CERAMIC 10000PF B (1608)
R632	1-216-821-91	RES, CHIP 1.0K (1608)	RB108	1-233-423-21	RES, CHIP NETWORK 47 (3216) (GH-004)	RB324	1-233-412-21	RES, CHIP NETWORK 1.0K (3216)	C420	1-107-826-91	CAP, CHIP CERAMIC 100000PF B
R633	1-216-821-91	RES, CHIP 1.0K (1608)	RB108	1-233-575-21	RES, CHIP NETWORK 22 (GH-005)	RB325	1-233-412-21	RES, CHIP NETWORK 1.0K (3216)	C421	1-124-779-21	CAP, ELECT 10MF
R634	1-216-821-91	RES, CHIP 1.0K (1608)	RB109	1-233-423-21	RES, CHIP NETWORK 47 (3216) (GH-004)	RB326	1-233-412-21	RES, CHIP NETWORK 1.0K (3216)	C422	1-135-347-21	CAP, SOLID ELECT 82MF
R636	1-216-864-91	CONDUCTOR, CHIP (1608)	RB109	1-233-575-21	RES, CHIP NETWORK 22 (GH-005)	RB327	1-233-415-21	RES, CHIP NETWORK 10K (3216)	C423	1-135-347-21	CAP, SOLID ELECT 82MF
R640	1-216-837-91	RES, CHIP 22K (1608)	RB110	1-233-423-21	RES, CHIP NETWORK 47 (3216) (GH-004)	RB328	1-233-414-21	RES, CHIP NETWORK 4.7K (3216)	C424	1-124-779-21	CAP, ELECT 10MF
R642	1-218-965-81	RES, CHIP 10K	RB110	1-233-575-21	RES, CHIP NETWORK 22 (GH-005)	RB329	1-233-783-91	RES, NETWORK 22 (1608)	C425	1-128-995-21	CAP, ELECT 100MF
R643	1-216-850-91	RES, CHIP 270K (1608)	RB111	1-233-423-21	RES, CHIP NETWORK 47 (3216) (GH-004)	RB511	1-233-423-21	RES, CHIP NETWORK 47 (3216)	C426	1-107-826-91	CAP, CHIP CERAMIC 100000PF B
R644	1-216-837-91	RES, CHIP 22K (1608)	RB111	1-233-575-21	RES, CHIP NETWORK 22 (GH-005)	RB512	1-234-610-21	RES, CHIP NETWORK 270K (3216)	C427	1-135-347-21	CAP, SOLID ELECT 82MF
R649	1-216-833-91	RES, CHIP 10K (1608)	RB112	1-233-423-21	RES, CHIP NETWORK 47 (3216) (GH-004)	RB514	1-233-576-21	RES, CHIP NETWORK 100	C430	1-107-826-91	CAP, CHIP CERAMIC 100000PF B
R650	1-218-965-81	RES, CHIP 10K	RB112	1-233-575-21	RES, CHIP NETWORK 22 (GH-005)	RB515	1-234-611-21	RES, CHIP NETWORK 560 (3216)	C431	1-107-826-91	CAP, CHIP CERAMIC 100000PF B
R651	1-216-835-91	RES, CHIP 15K (1608)	RB113	1-233-423-21	RES, CHIP NETWORK 47 (3216) (GH-004)	RB516	1-233-415-21	RES, CHIP NETWORK 10K (3216)	C432	1-115-339-91	CAP, CHIP CERAMIC 0.1MF B (2012)
R653	1-216-845-91	RES, CHIP 100K (1608)	RB113	1-233-575-21	RES, CHIP NETWORK 22 (GH-005)	RB517	1-233-575-21	RES, CHIP NETWORK 22	C433	1-115-339-91	CAP, CHIP CERAMIC 0.1MF B (2012)
R654	1-218-977-81	RES, CHIP 100K	RB114	1-233-423-21	RES, CHIP NETWORK 47 (3216) (GH-004)	RB518	1-233-575-21	RES, CHIP NETWORK 22	C434	1-162-964-91	CAP,CHIP CERAMIC 1000PF B (1608)
R657	1-218-971-81	RES, CHIP 33K	RB114	1-233-575-21	RES, CHIP NETWORK 22 (GH-005)	RB519	1-233-575-21	RES, CHIP NETWORK 22	C435	1-115-566-91	CAP, CHIP CERAMIC 4.7MF B
R658	1-218-965-81	RES, CHIP 10K	RB115	1-233-423-21	RES, CHIP NETWORK 47 (3216) (GH-004)	RB520	1-233-575-21	RES, CHIP NETWORK 22	C436	1-135-593-21	CAP, ELECT 150MF
R660	1-216-833-91	RES, CHIP 10K (1608)	RB115	1-233-575-21	RES, CHIP NETWORK 22 (GH-005)	RB521	1-233-575-21	RES, CHIP NETWORK 22	C437	1-107-826-91	CAP, CHIP CERAMIC 100000PF B
R661	1-216-833-91	RES, CHIP 10K (1608)	RB116	1-233-423-21	RES, CHIP NETWORK 47 (3216) (GH-004)	RB522	1-233-575-21	RES, CHIP NETWORK 22	C438	1-107-826-91	CAP, CHIP CERAMIC 100000PF B
R662	1-216-864-91	CONDUCTOR, CHIP (1608)	RB116	1-233-575-21	RES, CHIP NETWORK 22 (GH-005)	RB523	1-233-575-21	RES, CHIP NETWORK 22	C439	1-135-593-21	CAP, ELECT 150MF
R667	1-216-861-91	RES, CHIP 2.2M (1608)	RB117	1-233-423-21	RES, CHIP NETWORK 47 (3216) (GH-004)	RB524	1-233-575-21	RES, CHIP NETWORK 22	C440	1-131-995-21	CAP, SOLID ELECT 100MF
R668	1-218-985-81	RES, CHIP 470K	RB117	1-233-575-21	RES, CHIP NETWORK 22 (GH-005)	RB525	1-233-575-21	RES, CHIP NETWORK 22	C441	1-135-593-21	CAP, ELECT 150MF
R669	1-218-977-81	RES, CHIP 100K	RB118	1-233-423-21	RES, CHIP NETWORK 47 (3216) (GH-004)	RB526	1-233-575-21	RES, CHIP NETWORK 22	C443	1-131-995-21	CAP, SOLID ELECT 100MF
R670	1-218-965-81	RES, CHIP 10K	RB118	1-233-575-21	RES, CHIP NETWORK 22 (GH-005)	RB527	1-233-575-21	RES, CHIP NETWORK 22	C444	1-107-826-91	CAP, CHIP CERAMIC 100000PF B
R671	1-218-959-81	RES, CHIP 3.3K	RB119	1-233-423-21	RES, CHIP NETWORK 47 (3216) (GH-004)	RB528	1-233-575-21	RES, CHIP NETWORK 22	C445	1-117-720-91	CAP, CHIP CERAMIC 4.7MF F (2012)
R672	1-218-888-91	RES, CHIP 51K (1608)	RB119	1-233-575-21	RES, CHIP NETWORK 22 (GH-005)	RB529	1-233-575-21	RES, CHIP NETWORK 22	C446	1-131-995-21	CAP, SOLID ELECT 100MF
R673	1-218-959-81	RES, CHIP 3.3K	RB120	1-233-423-21	RES, CHIP NETWORK 47 (3216) (GH-004)	RB530	1-233-575-21	RES, CHIP NETWORK 22	C447	1-107-682-91	CAP, CHIP CERAMIC 1000000PF B (3216)
R674	1-218-977-81	RES, CHIP 100K	RB120	1-233-575-21	RES, CHIP NETWORK 22 (GH-005)	RB531	1-233-575-21	RES, CHIP NETWORK 22	C449	1-162-964-91	CAP,CHIP CERAMIC 1000PF B (1608)
R675	1-218-971-81	RES, CHIP 33K	RB121	1-233-423-21	RES, CHIP NETWORK 47 (3216) (GH-004)	RB532	1-233-575-21	RES, CHIP NETWORK 22	C450	1-107-826-91	CAP, CHIP CERAMIC 100000PF B
R678	1-216-829-91	RES, CHIP 4.7K (1608)	RB121	1-233-575-21	RES, CHIP NETWORK 22 (GH-005)	RB602	1-233-415-21	RES, CHIP NETWORK 10K (3216)	C452	1-164-156-91	CAP, CHIP CERAMIC 0.1MF F (1608)
R689	1-218-977-81	RES, CHIP 100K	RB122	1-233-423-21	RES, CHIP NETWORK 47 (3216) (GH-004)	RB603	1-233-415-21	RES, CHIP NETWORK 10K (3216)	C453	1-164-156-91	CAP, CHIP CERAMIC 0.1MF F (1608)
R694	1-216-835-91	RES, CHIP 15K (1608)	RB122	1-233-575-21	RES, CHIP NETWORK 22 (GH-005)	RB606	1-233-412-21	RES, CHIP NETWORK 1.0K (3216)	C454	1-124-779-21	CAP, ELECT 10MF
R696	1-216-846-91	RES, CHIP 120K (1608)	RB123	1-233-423-21	RES, CHIP NETWORK 47 (3216) (GH-004)	RB607	1-233-415-21	RES, CHIP NETWORK 10K (3216)	C455	1-124-779-21	CAP, ELECT 10MF
R698	1-216-835-91	RES, CHIP 15K (1608)	RB123	1-233-575-21	RES, CHIP NETWORK 22 (GH-005)	RB609	1-233-423-21	RES, CHIP NETWORK 47 (3216)	C456	1-124-779-21	CAP, ELECT 10MF
R699	1-216-864-91	CONDUCTOR, CHIP (1608) (GH-005)	RB124	1-233-423-21	RES, CHIP NETWORK 47 (3216) (GH-004)	RB611	1-233-415-21	RES, CHIP NETWORK 10K (3216)	C457	1-124-779-21	CAP, ELECT 10MF
R751	1-216-815-91	RES, CHIP 330 (1608)	RB124	1-233-575-21	RES, CHIP NETWORK 22 (GH-005)	RB701	1-233-578-21	RES, CHIP NETWORK 47K	C458	1-135-347-21	CAP, SOLID ELECT 82MF
R752	1-216-810-91	RES, CHIP 120 (1608)	RB125	1-233-423-21	RES, CHIP NETWORK 47 (3216) (GH-004)	RB702	1-233-578-21	RES, CHIP NETWORK 47K	C459	1-135-347-21	CAP, SOLID ELECT 82MF
R753	1-216-298-91	RES, CHIP 2.2 (2012)	RB125	1-233-575-21	RES, CHIP NETWORK 22 (GH-005)			<CRYSTAL>	C460	1-164-174-91	CAP,CHIP CERAMIC 8200PF B (1608)
R754	1-216-298-91	RES, CHIP 2.2 (2012)	RB126	1-233-423-21	RES, CHIP NETWORK 47 (3216) (GH-004)	X101	1-781-640-21	VIBRATOR, CRYSTAL (GH-004)	C461	1-164-174-91	CAP,CHIP CERAMIC 8200PF B (1608)
R755	1-216-298-91	RES, CHIP 2.2 (2012)	RB130	1-233-423-21	RES, CHIP NETWORK 47 (3216)	X201	1-781-640-21	VIBRATOR, CRYSTAL (GH-005)	C462	1-135-347-21	CAP, SOLID ELECT 82MF
R756	1-216-298-91	RES, CHIP 2.2 (2012)	RB131	1-233-423-21	RES, CHIP NETWORK 47 (3216)	X202	1-781-857-21	OSCILLATOR, CRYSTAL	C465	1-107-826-91	CAP, CHIP CERAMIC 100000PF B
R759	1-216-833-91	RES, CHIP 10K (1608)	RB132	1-233-423-21	RES, CHIP NETWORK 47 (3216)	X301	1-781-856-21	VIBRATOR, CRYSTAL	C466	1-107-826-91	CAP, CHIP CERAMIC 100000PF B
R777	1-216-845-91	RES, CHIP 100K (1608)	RB133	1-233-423-21	RES, CHIP NETWORK 47 (3216)				C467	1-126-209-21	CAP, ELECT 100MF
R782	1-216-833-91	RES, CHIP 10K (1608) (GH-004)	RB134	1-233-423-21	RES, CHIP NETWORK 47 (3216)				C468	1-126-209-21	CAP, ELECT 100MF
R782	1-216-864-91	CONDUCTOR, CHIP (1608) (GH-005)	RB135	1-233-423-21	RES, CHIP NETWORK 47 (3216)				C469	1-162-977-91	CAP, CHIP CERAMIC 1800PF B (1608)
R785	1-218-887-91	RES, CHIP 47K (1608)	RB136	1-233-423-21	RES, CHIP NETWORK 47 (3216)				C470	1-107-826-91	CAP, CHIP CERAMIC 100000PF B
R787	1-218-892-91	RES, CHIP 75K (1608)	RB137	1-233-423-21	RES, CHIP NETWORK 47 (3216)				C471	1-164-379-91	CAP, CHIP CERAMIC 43PF CH (1608)
R788	1-218-887-91	RES, CHIP 47K (1608)	RB139	1-233-414-21	RES, CHIP NETWORK 4.7K (3216)				C472	1-107-826-91	CAP, CHIP CERAMIC 100000PF B
R791	1-218-892-91	RES, CHIP 75K (1608)	RB241	1-233-414-21	RES, CHIP NETWORK 4.7K (3216)				C473	1-162-970-91	CAP, CHIP CERAMIC 10000PF B (1608)
R792	1-218-899-91	RES, CHIP 150K (1608)	RB294	1-233-414-21	RES, CHIP NETWORK 4.7K (3216)				C474	1-107-826-91	CAP, CHIP CERAMIC 100000PF B
R793	1-218-899-91	RES, CHIP 150K (1608)	RB295	1-233-412-21	RES, CHIP NETWORK 1.0K (3216)				C475	1-164-730-91	CAP,CHIP CERAMIC 1200PF B (1608)
R794	1-218-899-91	RES, CHIP 150K (1608)					</				

Ref.	Part No.	Description
C477	1-124-779-21	CAP, ELECT 10MF
C478	1-124-779-21	CAP, ELECT 10MF (GD-011)
C479	1-125-837-91	CAP, CHIP CERAMIC 1MF B (1608)
C480	1-115-339-91	CAP, CHIP CERAMIC 0.1MF B (2012)
C481	1-135-593-21	CAP, ELECT 150MF
C482	1-107-826-91	CAP, CHIP CERAMIC 100000PF B
C483	1-107-826-91	CAP, CHIP CERAMIC 100000PF B
C484	1-135-593-21	CAP, ELECT 150MF
C485	1-107-826-91	CAP, CHIP CERAMIC 100000PF B
C486	1-131-999-21	CAP, SOLID ELECT 150MF
C487	1-131-999-21	CAP, SOLID ELECT 150MF
C488	1-115-566-91	CAP, CHIP CERAMIC 4.7MF B
C489	1-131-999-21	CAP, SOLID ELECT 150MF
C490	1-135-593-21	CAP, ELECT 150MF
C491	1-126-209-21	CAP, ELECT 100MF (GD-011)
C492	1-107-826-91	CAP, CHIP CERAMIC 100000PF B
C493	1-107-826-91	CAP, CHIP CERAMIC 100000PF B
C494	1-107-725-91	CAP, CHIP CERAMIC 100000PF B (2012)
C495	1-125-837-91	CAP, CHIP CERAMIC 1MF B (1608)(GD-011)
C496	1-107-682-91	CAP, CHIP CERAMIC 1000000PF B(3216)(GD-012)
C497	1-162-964-91	CAP,CHIP CERAMIC 1000PF B(1608)(GD-011)
C498	1-124-779-21	CAP, ELECT 10MF
C499	1-164-505-91	CAP, CHIP CERAMIC 2.2MF F (2012)
C500	1-137-765-21	CAP, ELECT 47MF
C501	1-126-205-21	CAP, ELECT 47MF
C502	1-162-964-91	CAP,CHIP CERAMIC 1000PF B (1608)
C503	1-137-766-21	CAP, ELECT 68MF
C504	1-163-009-91	CAP,CHIP CERAMIC 1000PF B (2012)
C505	1-137-765-21	CAP, ELECT 47MF
C506	1-137-765-21	CAP, ELECT 47MF
C507	1-162-964-91	CAP,CHIP CERAMIC 1000PF B (1608)
C508	1-137-765-21	CAP, ELECT 47MF
C509	1-137-766-21	CAP, ELECT 68MF
C510	1-137-765-21	CAP, ELECT 47MF
C511	1-137-765-21	CAP, ELECT 47MF
C514	1-126-198-21	CAP, ELECT 4.7MF (GD-012)
<CONNECTOR>		
CN401	1-815-121-11	PIN, CONNECTOR (GD-AC) 4P
CN403	1-815-142-11	CONNECTOR, BOARD TO BOARD 120P
D401	8-719-988-61	DIODE 1SS355TE-17
D402	8-719-074-34	DIODE RB495D-T146
D403	8-719-074-34	DIODE RB495D-T146
D404	8-719-033-15	DIODE HN2D02FU-TE85R
D405	8-719-078-04	DIODE EC31QS03L-TE12L
<DIODE>		
D407	8-719-074-34	DIODE RB495D-T146
D408	8-719-074-34	DIODE RB495D-T146
<FUSE>		
F401	1-576-438-21	FUSE, CHIP
F402	1-576-434-21	FUSE, CHIP
F403	1-576-434-21	FUSE, CHIP
F404	1-576-434-21	FUSE, CHIP
<IC>		
IC401	8-759-661-25	IC S-80769SN-J0-T1
IC402	8-759-826-59	IC TMP87C807U-1V33
IC403	8-759-688-08	IC MM1537DFBE
IC404	8-759-689-89	IC SN104809DBTR
IC405	8-759-560-17	IC RS5C348A-E2
IC406	8-759-667-20	IC BR9080F-E2
IC407	8-759-712-66	IC PQ018P201ZP
IC408	8-759-712-65	IC PQ070XZ01ZP

Ref.	Part No.	Description
IC409	8-759-689-89	IC SN104809DBTR
IC410	8-749-018-42	IC SI-3026LSA-TL
IC411	8-759-688-06	IC MM3031J
IC412	8-749-018-41	IC SI-3025LSA-TL (GD-011)
IC413	8-759-665-28	IC SI-3034LSA-TL
IC414	8-759-069-41	IC TA7808F(TE16L)
<INDUCTOR>		
L401	1-416-948-21	COIL, CHOKE 10UH
L402	1-416-948-21	COIL, CHOKE 10UH
L403	1-419-491-21	COIL, CHOKE 10UH (GD-012)
L403	1-419-896-21	COIL, CHOKE 4.2UH
L403	1-419-649-21	COIL, CHOKE 10UH (GD-012)
L403	1-419-897-21	COIL, CHOKE 4.2UH (GD-011)
L403	1-419-903-21	COIL (SMD), CHOKE 4.2UH (GD-011)
L404	1-419-648-21	COIL, CHOKE 2.0UH
L405	1-416-948-21	COIL, CHOKE 10UH
L406	1-419-491-21	COIL, CHOKE 10UH
L407	1-419-491-21	COIL, CHOKE 10UH
L408	1-419-898-21	COIL, CHOKE 5.6UH
L409	1-469-966-21	INDUCTOR, CHIP 1UH (2518)
<LINK>		
△ PS401	1-533-674-21	RINK, CHIP IC
△ PS402	1-533-940-21	RINK, CHIP IC
△ PS403	1-533-940-21	RINK, CHIP IC
△ PS404	1-533-940-21	RINK, CHIP IC
△ PS405	1-533-940-21	RINK, CHIP IC (GD-011)
△ PS406	1-533-915-41	RINK, CHIP IC
△ PS407	1-533-282-21	LINK, IC
△ PS408	1-576-282-21	RINK, SQUARE CHIP TYPE IC
△ PS409	1-533-915-41	RINK, CHIP IC
△ PS410	1-533-282-21	LINK, IC
△ PS411	1-533-674-21	RINK, CHIP IC
<TRANSISTOR>		
Q401	8-729-051-63	TRANSISTOR SI4884DY-T1
Q402	8-729-053-79	TRANSISTOR IRF7901D1-TR
Q404	8-729-052-07	TRANSISTOR HAT2064R-EL
Q405	8-729-427-47	TRANSISTOR XP4213-TXE
Q406	8-729-053-79	TRANSISTOR IRF7901D1-TR
Q407	8-729-046-04	TRANSISTOR FDS6690A
Q408	8-729-051-61	TRANSISTOR IRF7807D1-TR
Q409	8-729-427-47	TRANSISTOR XP4213-TXE
Q410	8-729-029-14	TRANSISTOR DTC144EUA-T106
Q411	8-729-043-74	TRANSISTOR SI4435DY-T1-REVA
Q412	8-729-043-74	TRANSISTOR SI4435DY-T1-REVA
Q413	8-729-029-14	TRANSISTOR DTC144EUA-T106 (GD-012)
Q414	8-729-043-74	TRANSISTOR SI4435DY-T1-REVA
Q415	8-729-028-91	TRANSISTOR DTA144EUA-T106 (GD-012)
<RESISTOR>		
R401	1-216-837-91	RES, CHIP 22K (1608)(GD-011)
R402	1-216-837-91	RES, CHIP 22K (1608)(GD-011)
R403	1-216-849-91	RES, CHIP 220K (1608)(GD-011)
R404	1-216-845-91	RES, CHIP 100K (1608)(GD-011)
R405	1-216-845-91	RES, CHIP 100K (1608)(GD-011)
R406	1-216-811-91	RES, CHIP 150 (1608)(GD-011)
R407	1-216-811-91	RES, CHIP 150 (1608)(GD-011)
R408	1-216-864-91	CONDUCTOR, CHIP (1608)(GD-012)
R408	1-216-839-91	RES, CHIP 33K (1608)(GD-011)
R409	1-218-835-91	RES, CHIP 330 (1608)
R410	1-218-883-91	RES, CHIP 33K (1608)
R411	1-218-883-91	RES, CHIP 33K (1608)
R412	1-218-883-91	RES, CHIP 33K (1608)
R413	1-218-883-91	RES, CHIP 33K (1608)(GD-011)

Ref.	Part No.	Description
R413	1-218-891-91	RES, CHIP 68K (1608)(GD-012)
R414	1-218-835-91	RES, CHIP 330 (1608)(GD-011)
R414	1-218-853-91	RES, CHIP 1.8K (1608)(GD-012)
R415	1-216-839-91	RES, CHIP 33K (1608)(GD-011)
R416	1-216-839-91	RES, CHIP 33K (1608)(GD-011)
R417	1-216-813-91	RES, CHIP 220 (1608)
R418	1-216-837-91	RES, CHIP 22K (1608)(GD-012)
R418	1-216-817-91	RES, CHIP 470 (1608)(GD-011)
R419	1-216-829-91	RES, CHIP 4.7K (1608)(GD-012)
R419	1-216-833-91	RES, CHIP 10K (1608)(GD-011)
R420	1-216-832-91	RES, CHIP 8.2K (1608)(GD-012)
R420	1-216-833-91	RES, CHIP 10K (1608)(GD-011)
R421	1-216-790-91	RES, CHIP 2.7 (1608)
R422	1-216-797-91	RES, CHIP 10 (1608)
R423	1-216-790-91	RES, CHIP 2.7 (1608)
R424	1-216-797-91	RES, CHIP 10 (1608)
R426	1-218-875-91	RES, CHIP 15K (1608)(GD-012)
R426	1-218-879-91	RES, CHIP 22K (1608)(GD-011)
R427	1-218-875-91	RES, CHIP 15K (1608)
R428	1-216-309-91	RES, CHIP 5.6 (2012)
R429	1-216-833-91	RES, CHIP 10K (1608)
R430	1-216-813-91	RES, CHIP 220 (1608)
R431	1-216-813-91	RES, CHIP 220 (1608)
R432	1-216-829-91	RES, CHIP 4.7K (1608)
R433	1-216-829-91	RES, CHIP 4.7K (1608)
R434	1-216-810-91	RES, CHIP 120 (1608)
R435	1-216-810-91	RES, CHIP 120 (1608)
R438	1-218-850-91	RES, CHIP 1.3K (1608)
R439	1-218-857-91	RES, CHIP 2.7K (1608)
R440	1-218-861-91	RES, CHIP 3.9K (1608)
R441	1-218-879-91	RES, CHIP 22K (1608)
R442	1-218-869-91	RES, CHIP 8.2K (1608)
R443	1-218-865-91	RES, CHIP 5.6K (1608)
R444	1-218-881-91	RES, CHIP 27K (1608)
R445	1-218-849-91	RES, CHIP 1.2K (1608)
R446	1-216-817-91	RES, CHIP 470 (1608)
R447	1-216-817-91	RES, CHIP 470 (1608)
R448	1-216-829-91	RES, CHIP 4.7K (1608)(GD-012)
R448	1-216-833-91	RES, CHIP 10K (1608)(GD-011)
R449	1-216-833-91	RES, CHIP 10K (1608)(GD-011)
R450	1-216-817-91	RES, CHIP 470 (1608)(GD-011)
R451	1-216-813-91	RES, CHIP 220 (1608)(GD-012)
R451	1-216-817-91	RES, CHIP 470 (1608)(GD-011)
R452	1-216-797-91	RES, CHIP 10 (1608)
R453	1-216-797-91	RES, CHIP 10 (1608)
R454	1-216-797-91	RES, CHIP 10 (1608)
R457	1-218-883-91	RES, CHIP 33K (1608)(GD-012)
R455	1-216-845-91	RES, CHIP 100K (1608)(GD-011)
R456	1-216-821-91	RES, CHIP 1.0K (1608)(GD-011)
R457	1-218-883-91	RES, CHIP 33K (1608)(GD-011)
R458	1-216-797-91	RES, CHIP 10 (1608)
R459	1-216-825-91	RES, CHIP 2.2K (1608)(GD-012)
R459	1-216-833-91	RES, CHIP 10K (1608)(GD-011)
R460	1-218-874-91	RES, CHIP 13K (1608)
R461	1-216-309-91	RES, CHIP 5.6 (2012)
R463	1-216-857-91	RES, CHIP 1.0M (1608)(GD-012)
R462	1-216-864-91	CONDUCTOR, CHIP (1608)(GD-011)
R465	1-216-845-91	RES, CHIP 100K (1608)(GD-012)
R463	1-216-857-91	RES, CHIP 1.0M (1608)(GD-011)
R465	1-216-845-91	RES, CHIP 100K (1608)(GD-011)
R466	1-216-833-91	RES, CHIP 10K (1608)
R468	1-216-833-91	RES, CHIP 10K (1608)
R469	1-216-833-91	RES, CHIP 10K (1608)
R470	1-216-837-91	RES, CHIP 22K (1608)(GD-012)
R470	1-216-845-91	RES, CHIP 100K (1608)(GD-011)
R471	1-216-827-91	RES, CHIP 3.3K (1608)(GD-012)

Ref.	Part No.	Description
R472	1-216-822-91	RES, CHIP 1.2K (1608)(GD-012)
R473	1-216-837-91	RES, CHIP 22K (1608)(GD-012)
R474	1-216-837-91	RES, CHIP 22K (1608)(GD-012)
R475	1-216-813-91	RES, CHIP 220 (1608)(GD-012)
R476	1-216-816-91	RES, CHIP 390 (1608)(GD-012)
R477	1-216-813-91	RES, CHIP 220 (1608)(GD-012)
R478	1-216-816-91	RES, CHIP 390 (1608)(GD-012)
R479	1-216-813-91	RES, CHIP 220 (1608)(GD-012)
R480	1-216-816-91	RES, CHIP 390 (1608)(GD-012)
R481	1-216-837-91	RES, CHIP 22K (1608)(GD-012)
RB402	1-233-803-91	RES, NETWORK 1.5K (1608)
RB403	1-233-789-91	RES, NETWORK 10K (1608)
RB405	1-233-803-91	RES, NETWORK 1.5K (1608)
RB406	1-233-792-91	RES, NETWORK 100K (1608)
RB407	1-233-795-91	RES, NETWORK 1.0M (1608)
RB408	1-233-415-21	RES, CHIP NETWORK 10K (3216)
RB409	1-233-415-21	RES, CHIP NETWORK 10K (3216)
RB410	1-233-415-21	RES, CHIP NETWORK 10K (3216)
<THERMISTOR>		
△ TH401	1-533-817-21	THERMISTOR (GD-012)
△ TH401	1-804-291-21	THERMISTOR (GD-011)
△ TH402	1-533-817-21	THERMISTOR
△ TH403	1-533-817-21	THERMISTOR
<CRYSTAL>		
X401	1-760-496-22	VIBRATOR, LITHIUM NIOBATE
X402	1-781-266-41	VIBRATOR, CRYSTAL

A-6712-775-A MOUNTED CIRCUIT BOARD, GM-041		

PLACE CODE #10		
<CAPACITOR>		
C100	1-115-467-91	CAP, CHIP CERAMIC0.22MF B (1608)
C101	1-115-467-91	CAP, CHIP CERAMIC0.22MF B (1608)
C102	1-131-651-21	CAP, TANTALUM ELECT 10MF
C103	1-135-900-21	CAP, TANTALUM ELECT 22MF
C104	1-164-670-91	CAP, CHIP CERAMIC 1200PF SL (1608)
C105	1-131-651-21	CAP, TANTALUM ELECT 10MF
C106	1-135-900-21	CAP, TANTALUM ELECT 22MF
C107	1-164-670-91	CAP, CHIP CERAMIC 1200PF SL (1608)
C108	1-107-826-91	CAP, CHIP CERAMIC 100000PF B
C109	1-164-173-91	CAP, CHIP CERAMIC 3900PF B (1608)
C110	1-164-173-91	CAP, CHIP CERAMIC 3900PF B (1608)
C111	1-115-467-91	CAP, CHIP CERAMIC0.22MF B (1608)
C113	1-165-319-91	CAP, CHIP CERAMIC 100000PF F (2012)
C114	1-127-692-91	CAP, CHIP CERAMIC 10MF B 3225
C115	1-164-816-91	CAP, CHIP CERAMIC CHIP 220PF CH
C116	1-164-816-91	CAP, CHIP CERAMIC CHIP 220PF CH
C117	1-164-816-91	CAP, CHIP CERAMIC CHIP 220PF CH
C118	1-164-816-91	CAP, CHIP CERAMIC CHIP 220PF CH
C119	1-162-927-91	CAP, CHIP CERAMIC 100PF CH (1608)
C120	1-162-927-91	CAP, CHIP CERAMIC 100PF CH (1608)
C121	1-162-927-91	CAP, CHIP CERAMIC 100PF CH (1608)
C122	1-162-927-91	CAP, CHIP CERAMIC 100PF CH (1608)
C123	1-162-927-91	CAP, CHIP CERAMIC 100PF CH (1608)
C124	1-162-927-91	CAP, CHIP CERAMIC 100PF CH (1608)
C127	1-162-927-91	CAP, CHIP CERAMIC 100PF CH (1608)
C128	1-162-927-91	CAP, CHIP CERAMIC 100PF CH (1608)
C129	1-162-927-91	CAP, CHIP CERAMIC 100PF CH (1608)
C130	1-162-927-91	CAP, CHIP CERAMIC 100PF CH (1608)
C140	1-107-826-91	CAP, CHIP CERAMIC 100000PF B
C141	1-107-826-91	CAP, CHIP CERAMIC 100000PF B
C149	1-162-964-91	CAP, CHIP CERAMIC 1000PF B (1608)

Ref.	Part No.	Description	
C150	1-162-927-91	CAP, CHIP CERAMIC 100PF CH	(1608)
C151	1-162-927-91	CAP, CHIP CERAMIC 100PF CH	(1608)
C152	1-162-927-91	CAP, CHIP CERAMIC 100PF CH	(1608)
C153	1-162-927-91	CAP, CHIP CERAMIC 100PF CH	(1608)
C154	1-162-966-91	CAP, CHIP CERAMIC 2200PF B	(1608)
C155	1-162-966-91	CAP, CHIP CERAMIC 2200PF B	(1608)
C156	1-162-966-91	CAP, CHIP CERAMIC 2200PF B	(1608)
C157	1-162-966-91	CAP, CHIP CERAMIC 2200PF B	(1608)
C158	1-131-651-21	CAP, TANTALUM ELECT 10MF	
C159	1-107-826-91	CAP, CHIP CERAMIC 100000PF B	
C160	1-131-651-21	CAP, TANTALUM ELECT 10MF	
C161	1-107-826-91	CAP, CHIP CERAMIC 100000PF B	
C163	1-107-826-91	CAP, CHIP CERAMIC 100000PF B	
C165	1-107-826-91	CAP, CHIP CERAMIC 100000PF B	
C166	1-104-851-91	CAP, CHIP TANTALUM ELECT 10MF	
C167	1-107-826-91	CAP, CHIP CERAMIC 100000PF B	
C169	1-107-826-91	CAP, CHIP CERAMIC 100000PF B	
C171	1-107-826-91	CAP, CHIP CERAMIC 100000PF B	
C172	1-131-651-21	CAP, TANTALUM ELECT 10MF	
C173	1-107-826-91	CAP, CHIP CERAMIC 100000PF B	
C174	1-162-975-91	CAP, CHIP CERAMIC 24PF CH	(1608)
C175	1-164-677-91	CAP, CHIP CERAMIC 33000PF B	(1608)
C176	1-107-826-91	CAP, CHIP CERAMIC 100000PF B	
C177	1-107-826-91	CAP, CHIP CERAMIC 100000PF B	
C178	1-107-826-91	CAP, CHIP CERAMIC 100000PF B	
C179	1-107-826-91	CAP, CHIP CERAMIC 100000PF B	
C180	1-107-826-91	CAP, CHIP CERAMIC 100000PF B	
C181	1-107-826-91	CAP, CHIP CERAMIC 100000PF B	
C183	1-107-826-91	CAP, CHIP CERAMIC 100000PF B	
C184	1-164-677-91	CAP, CHIP CERAMIC 33000PF B	(1608)
C185	1-107-826-91	CAP, CHIP CERAMIC 100000PF B	
C186	1-164-392-91	CAP, CHIP CERAMIC 390PF CH	(1608)
C187	1-115-467-91	CAP, CHIP CERAMIC 0.22MF B	(1608)
C188	1-164-677-91	CAP, CHIP CERAMIC 33000PF B	(1608)
C189	1-164-739-91	CAP, CHIP CERAMIC 560PF CH	(1608)
C190	1-164-739-91	CAP, CHIP CERAMIC 560PF CH	(1608)
C196	1-162-964-91	CAP, CHIP CERAMIC 1000PF B	(1608)
C197	1-115-467-91	CAP, CHIP CERAMIC 0.22MF B	(1608)
C198	1-125-837-91	CAP, CHIP CERAMIC 1MF B	(1608)
C199	1-125-837-91	CAP, CHIP CERAMIC 1MF B	(1608)
		<CONNECTOR>	
CN100	1-794-237-21	CONNECTOR, FFC/FPC 30P	
CN101	1-770-619-41	PIN, CONNECTOR 2P	
CN102	1-770-619-21	PIN, CONNECTOR 2P	
CN103	1-770-619-81	PIN, CONNECTOR 2P	
CN104	1-815-089-21	CONNECTOR, FPC LIF(NON-ZIF)13P	
CN105	1-779-206-21	CONNECTOR, FFC(LIF(NON-ZIF))4P	
CN106	1-785-343-21	CONNECTOR, FFC/FPC (ZIF) 30P	
CN107	1-779-206-21	CONNECTOR, FFC(LIF(NON-ZIF))4P	
CN108	1-794-437-21	PIN, CONNECTOR 7P	
CN109	1-815-231-21	CONNECTOR, FFC/FPC (ZIF) 40P	
		<DIODE>	
D100	8-719-065-68	DIODE MAZF04700LS0	
D101	8-719-065-68	DIODE MAZF04700LS0	
		<FERRITE BEAD>	
FB001	1-469-562-21	FERRITE, EMI (SMD)	
FB002	1-469-562-21	FERRITE, EMI (SMD)	
FB003	1-469-667-21	FERRITE, EMI (SMD)	
FB004	1-469-667-21	FERRITE, EMI (SMD)	
FB005	1-469-667-21	FERRITE, EMI (SMD)	
FB006	1-469-667-21	FERRITE, EMI (SMD)	
FB007	1-469-667-21	FERRITE, EMI (SMD)	
FB008	1-469-667-21	FERRITE, EMI (SMD)	

Ref.	Part No.	Description	
		<IC>	
IC101	8-759-685-15	IC SP3727ACA0PMR	
IC102	8-759-490-71	IC BA5912AFP-YE2	
		<INDUCTOR>	
L100	1-469-524-91	INDUCTOR 4.7UH (NLFV25)	
L101	1-469-524-91	INDUCTOR 4.7UH (NLFV25)	
L102	1-414-394-41	INDUCTOR (SMD) 2.2UH	
		<COIL>	
LF001	1-416-405-21	FILTER, CHIP EMI (COMMON MODE)	
		<TRANSISTOR>	
Q100	8-729-031-35	TRANSISTOR 2SK2034-TE85L	
Q101	8-729-103-96	TRANSISTOR 2SB798-TIDL	
Q102	8-729-029-13	TRANSISTOR DTC143ZUA-T106	
Q103	8-729-031-35	TRANSISTOR 2SK2034-TE85L	
Q104	8-729-103-96	TRANSISTOR 2SB798-TIDL	
Q105	8-729-048-50	TRANSISTOR 2SK3018-T106	
Q107	8-729-048-50	TRANSISTOR 2SK3018-T106	
Q111	8-729-048-50	TRANSISTOR 2SK3018-T106	
Q112	8-729-905-38	TRANSISTOR 2SC4081T106R	
Q113	8-729-905-38	TRANSISTOR 2SC4081T106R	
		<RESISTOR>	
R104	1-216-158-91	RES, CHIP 22	(3216)
R105	1-216-158-91	RES, CHIP 22	(3216)
R106	1-216-809-91	RES, CHIP 100	(1608)
R107	1-216-833-91	RES, CHIP 10K	(1608)
R108	1-216-797-91	RES, CHIP 10	(1608)
R109	1-216-809-91	RES, CHIP 100	(1608)
R110	1-216-833-91	RES, CHIP 10K	(1608)
R112	1-216-158-91	RES, CHIP 22	(3216)
R113	1-216-158-91	RES, CHIP 22	(3216)
R114	1-216-797-91	RES, CHIP 10	(1608)
R115	1-218-871-91	RES, CHIP 10K	(1608)
R116	1-218-871-91	RES, CHIP 10K	(1608)
R117	1-218-881-91	RES, CHIP 27K	(1608)
R118	1-218-881-91	RES, CHIP 27K	(1608)
R119	1-218-881-91	RES, CHIP 27K	(1608)
R121	1-218-890-91	RES, CHIP 62K	(1608)
R125	1-218-881-91	RES, CHIP 27K	(1608)
R126	1-218-889-91	RES, CHIP 56K	(1608)
R130	1-218-873-91	RES, CHIP 12K	(1608)
R131	1-216-864-91	CONDUCTOR, CHIP	(1608)
R132	1-216-864-91	CONDUCTOR, CHIP	(1608)
R133	1-216-864-91	CONDUCTOR, CHIP	(1608)
R134	1-216-864-91	CONDUCTOR, CHIP	(1608)
R145	1-216-864-91	CONDUCTOR, CHIP	(1608)
R146	1-216-864-91	CONDUCTOR, CHIP	(1608)
R147	1-216-864-91	CONDUCTOR, CHIP	(1608)
R148	1-216-864-91	CONDUCTOR, CHIP	(1608)
R150	1-216-864-91	CONDUCTOR, CHIP	(1608)
R151	1-216-802-91	RES, CHIP 27	(1608)
R152	1-216-816-91	RES, CHIP 390	(1608)
R153	1-216-810-91	RES, CHIP 120	(1608)
R155	1-216-864-91	CONDUCTOR, CHIP	(1608)
R157	1-216-841-91	RES, CHIP 47K	(1608)
R158	1-216-841-91	RES, CHIP 47K	(1608)
R159	1-216-841-91	RES, CHIP 47K	(1608)
R160	1-216-841-91	RES, CHIP 47K	(1608)
R161	1-216-841-91	RES, CHIP 47K	(1608)
R162	1-216-841-91	RES, CHIP 47K	(1608)
R163	1-216-841-91	RES, CHIP 47K	(1608)
R164	1-216-841-91	RES, CHIP 47K	(1608)

Ref.	Part No.	Description	
R166	1-216-833-91	RES, CHIP 10K	(1608)
RB100	1-233-415-21	RES, CHIP NETWORK 10K (3216)	

53	A-6712-759-A	MOUNTED CIRCUIT BOARD, SW-350	PLACE CODE #25SW
		<CONNECTOR>	
CN851	1-794-437-21	PIN, CONNECTOR 7P	
		<DIODE>	
D851	8-719-078-90	DIODE CL-165HR/G1-D-T	
D852	8-719-080-04	DIODE CL-190UB-X-T	
		<RESISTOR>	
R851	1-216-833-91	RES, CHIP 10K (1608)	
R852	1-216-835-91	RES, CHIP 15K (1608)	
R853	1-216-993-91	RES, CHIP 2.4K (1608)	
		<SWITCH>	
S851	1-771-917-21	SWITCH, TACTILE	
S852	1-771-917-21	SWITCH, TACTILE	

Ref.	Part No.	Description	
		SUPPLIED ACCESSORIES	PLACE CODE #23

	A-6785-053-A	ACCESSORY & PACKING GROUP	#23
△	1-790-108-21	CORD, POWER	#23
AV	1-792-028-□□	CORD, CONNECTION	#23
CONT	1-792-238-□□	CORD, CONNECTION	#23
CU2	3-064-713-□□	CUSHION 2	#23
CU	3-064-714-□□	CUSHION	#23
MCA	3-065-169-□□	MASTER CARTON, 3 SETS	#23
PSH	3-065-170-□□	SHEET, PROTECTION	#23
CA	3-065-171-□□	INDIVIDUAL CARTON	#23
TBP	3-987-483-□□	TAPE, BERODED PREVENTION	#23
MB	A-6705-090-A	MANUAL BLOCK ASSY, INSTRUCTION	#23
S/N-CARD	3-051-394-01	CARD, SERVICE NUMBER	#23
FSRB	3-060-161-02	SHEET, ESRB	#23
MANUAL	3-064-922-□□	MANUAL, INSTRUCTION	#23
C/I CARD	3-066-021-01	CARD, CUSTOMER INQUIRY	#23

TABLE OF CONTENTS

**SECTION 1
SPECIFICATIONS**

SCPH-30001 (B, B')

SCPH-30001 (C)

1. Table of Contents and Specifications 1

2. Exploded Views

Overall and Main Block 2

MD Block 3

Frame (Upper) Block 4

Switch Block 4

Shield (A) Assembly Block 5

3. Block Diagram 6

4. Printed Wiring Boards and Schematic Diagrams

This Note is Common for Printed Wiring boards and
Schematic diagrams 7

GH-006 8

GD-013 18

GM-043 20

GI-006 24

SW-355 26

IC Block Diagrams 27

5. Electrical Parts List 31

SCPH-30002/30003/30004 (C, C')

General

Power requirements
120 V AC, 60 Hz
Power consumption
79 W
Dimensions
301 × 78 × 182 mm (w/h/d)
Mass
2.4 kg

Inputs/ Outputs on the front

Controller ports (2)
Memory card slots (2)
USB ports (2)
S400 (i-Link) port (1)

Inputs/Outputs on the rear

HDD bay slot (1)

Outputs on the rear

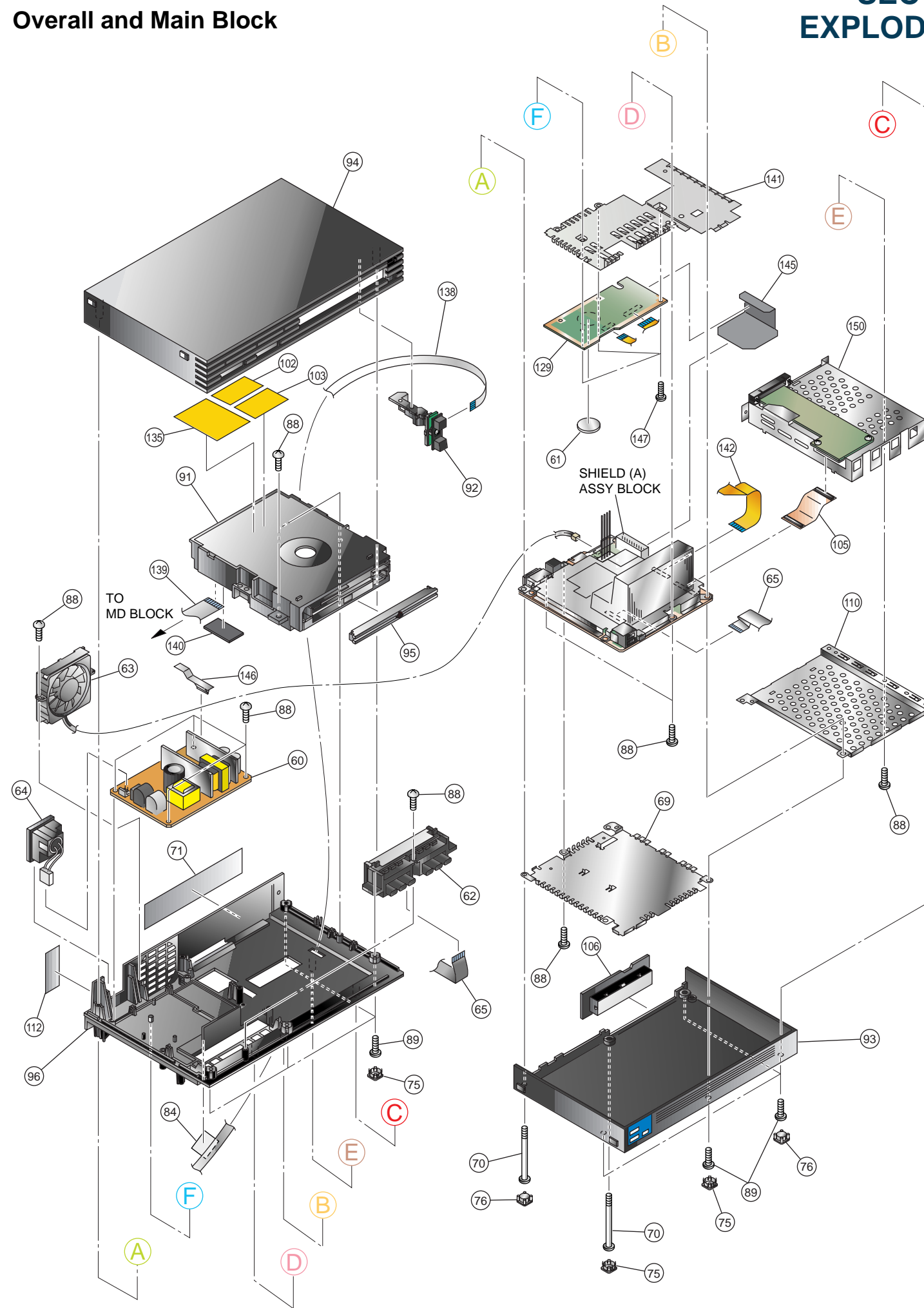
AV Multi out port (1)
RGB, Ycbcr, Y/C, Composite-video,
Audio-L/R, XGA
Digital out port (1)
Optical audio

Supplied accessories

AC power cord (1)
A/V connecting cable (1)
Dualshock2 Analog controller (1)

SECTION 2 EXPLODED VIEWS

Overall and Main Block



CAUTION

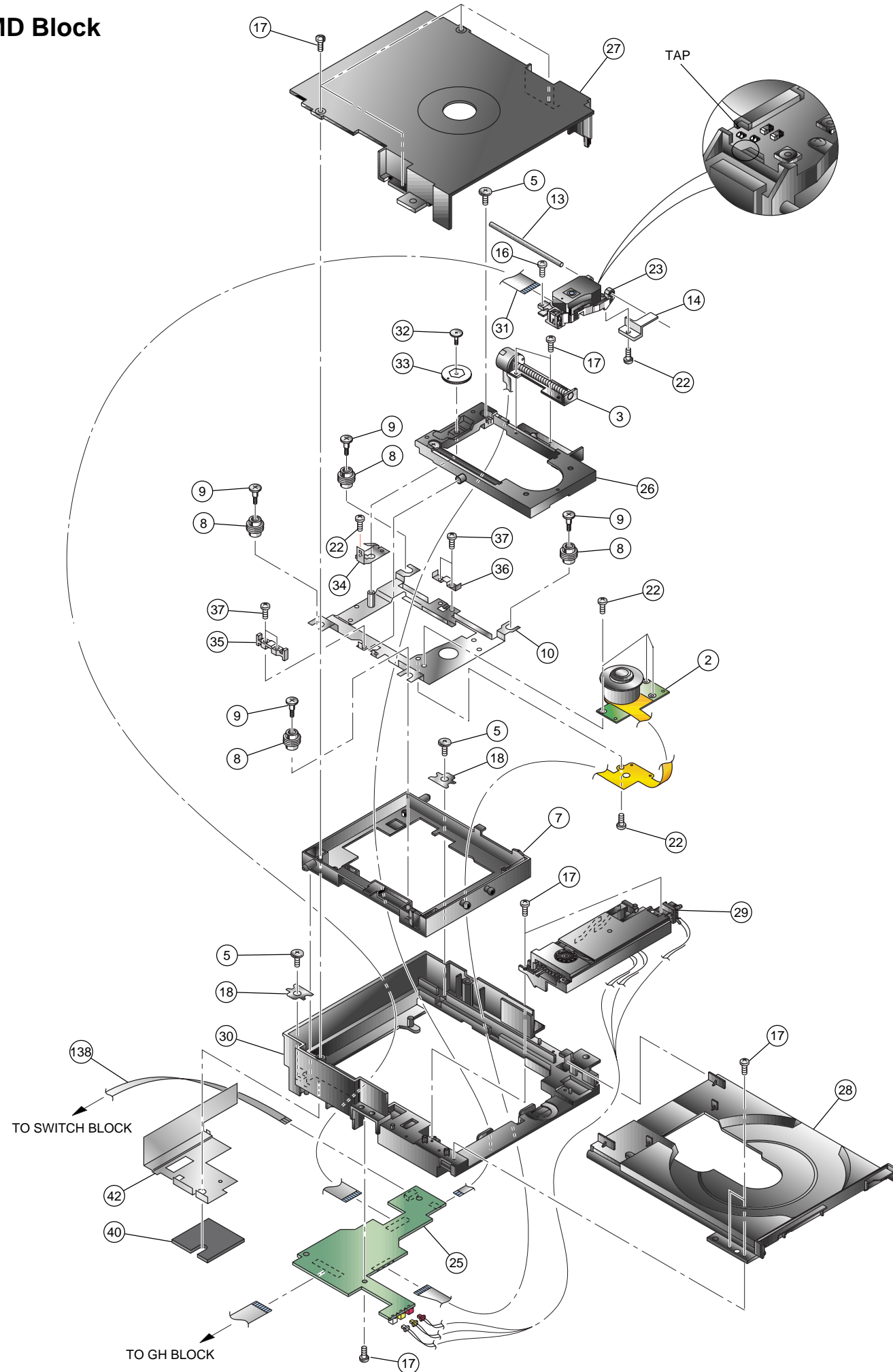
The components identified by mark \triangle or dotted line with mark \triangle are critical for safety. Replace only with part number specified.

CAUTION :
Use of controls or adjustments or performance of procedures other than those specified herein may result in hazardous radiation exposure.

OVERALL AND MAIN BLOCK

Ref-No.	Part No.	Description	Remark	Place code
\triangle 60	1-468-563-11	POWER BLOCK	for SCPH-30001	#00
\triangle 60	1-468-565-21	POWER BLOCK	for SCPH-30002, 30003, 30004	#00
\triangle 61	1-528-174-41	BATTERY, LITHIUM (CR2032 TYPE)		#25GD
62	1-694-767-11	TERMINAL BOARD (FRONT)		#17
63	1-763-480-11	DC. FAN		#74
\triangle 64	1-771-994-11	SWITCH, POWER (WITH AC INLET)	for SCPH-30001	#00
\triangle 64	1-771-995-12	SWITCH, POWER (WITH AC INLET)	for SCPH-30002, 30003, 30004	#00
65	1-792-491-21	CABLE, FLEXIBLE FLAT (FFC-290)		#12
69	3-066-489-01	SHIELD (B)		#16
70	3-059-622-02	SCREW (M3X54), HEAD TAPPING		#87
71	3-066-442-02	LABEL, MODEL NUMBER	for SCPH-30003	#87
71	3-066-445-02	LABEL, MODEL NUMBER	for SCPH-30002	#87
71	3-066-490-02	LABEL, MODEL NUMBER	for SCPH-30004	#87
71	3-066-508-01	LABEL, MODEL NUMBER	for SCPH-30001	#87
75	3-059-626-03	COVER, SCREW		#22
76	3-059-627-01	CAP		#22
84	3-060-398-02	TAPE, HARNESS STOPPER	for SCPH-30001	#88
84	3-067-170-01	TAPE, HARNESS STOPPER	for SCPH-30002, 30003, 30004	#88
88	3-325-679-21	SCREW, TAPPING +BV 3X12		#87
89	3-325-679-91	SCREW (2 LOCK), +BV TAPPING		#87
91	A-6705-243-A	MD BLOCK ASSY	for SCPH-30001	#10
91	A-6705-247-A	MD BLOCK ASSY	for SCPH-30002, 30003, 30004	#10
92	A-6705-235-A	SWITCH BLOCK ASSY		#25SW
93	X-3951-392-1	COVER ASSY, LOWER	for SCPH-30001	#87
93	X-3951-398-1	COVER ASSY, LOWER	for SCPH-30002, 30003, 30004	#87
94	X-3951-391-1	COVER ASSY, UPPER	for SCPH-30001	#87
94	X-3951-498-1	COVER ASSY, UPPER	for SCPH-30002, 30003, 30004	#87
95	X-3951-099-1	PLATE ASSY, ORNAMENTAL		#87
96	X-3951-393-1	CHASSIS ASSY	for SCPH-30001	#87
96	X-3951-395-1	CHASSIS ASSY	for SCPH-30002, 30003, 30004	#87
\triangle 102	3-969-533-11	LABEL, CAUTION SERIAL (NO.)	for SCPH-30001	#88
\triangle 103	3-976-231-11	LABEL, CAUTION	for SCPH-30001	#88
105	1-680-147-11	PWB, FP-324 FLEXIBLE		#12
106	X-3951-316-1	LID ASSY	for SCPH-30001	#87
106	X-3951-317-1	LID ASSY	for SCPH-30002, 30003, 30004	#87
110	3-066-501-01	FRAME (LOWER)		#16
112	3-066-253-01	TAPE, VOID	for SCPH-30001	#87
112	3-066-498-01	TAPE, VOID	for SCPH-30002, 30003, 30004	#87
129	A-6712-832-A	GD-013-11 MOUNT		#25GD
129	A-6712-863-A	GD-013-21 MOUNT		#25GD
\triangle 135	3-988-711-02	LABEL, LASER CAUTION	for SCPH-30002, 30003, 30004	#10
138	1-757-588-11	CABLE, FLAT (FFC-308)		#12
139	1-757-590-11	CABLE, FLAT (FFC-310)		#12
140	3-066-545-01	SHEET (R), ELECTRIC HEAT		#16
141	X-3951-396-1	SHIELD (C) ASSY		#87
142	1-757-589-11	CABLE, FLAT (FFC-309)		#25GD
145	3-066-594-01	SHEET (H), INSULATING		#25GH
146	3-066-609-01	CLIP, SHIELD		#00
147	3-066-488-01	SCREW (M3X9), +BV TAPPING		#25GD
147	3-066-488-01	SCREW (M3X9), +BV TAPPING		#25GD
150	A-6705-236-A	FRAME (UPPER) BLOCK ASSY		#87

MD Block



MD BLOCK

Ref-No.	Part No.	Description	Remark	Place code
2	1-763-611-11	MOTOR, DC (SPINDLE)		#10SP
3	1-763-639-11	MOTOR, DC		#10
5	3-059-845-01	SCREW (B2X6.5), SHAFT RETAINER		#10
7	3-065-275-02	FRAME, SUB		#10
8	3-065-277-01	INSULATOR		#10
9	3-065-276-01	SCREW, STEP		#10
10	X-3951-151-1	CHASSIS ASSY, MAIN		#10
13	3-059-854-01	SHAFT, MAIN		#10
14	3-059-855-02	RACK		#10
16	3-060-399-01	SCREW, SKEW		#10
17	3-060-400-01	TAPPING (B2X6.5)		#10
18	3-065-281-01	SHEET, SHAFT RETAINER		#10
22	3-062-728-01	0 PLATE 3 MAIN M2X3.2		#10
△ 23	8-820-141-01	DEVICE, OPTICAL KHS-400B		#10OP
25	A-6712-833-A	GM043MOUNT		#10GM
26	X-3951-152-2	CHASSIS ASSY, SUB		#10
27	X-3951-154-2	BRACKET ASSY, PULLEY		#10
28	X-3951-153-2	TRAY ASSY		#10TR
29	X-3951-156-3	BOX ASSY, GEAR		#10GB
30	3-065-271-03	FRAME, MAIN		#10
31	1-680-370-11	PWB, FLEXIBLE		#10
32	3-065-279-02	SCREW, CAM RETAINER		#10
33	3-065-278-02	CAM, TILT		#10
34	3-067-169-01	SPRING (TILT), PLATE		#10
35	3-065-282-01	GUIDE (L)		#10
36	3-065-283-01	GUIDE (R)		#10
37	3-065-557-01	SCREW (M2X6.0)		#10
38	3-065-274-01	CAM, SLIDE		#10GB
39	3-065-505-0	BELT, RUBBER		#10GB
40	3-067-186-01	SHEET (V), ELECTRIC HEAT		#10
42	X-3951-501-1	HEAT SINK ASSY, MD		#10
138	1-757-588-11	CABLE, FLAT (FFC-308)		#12

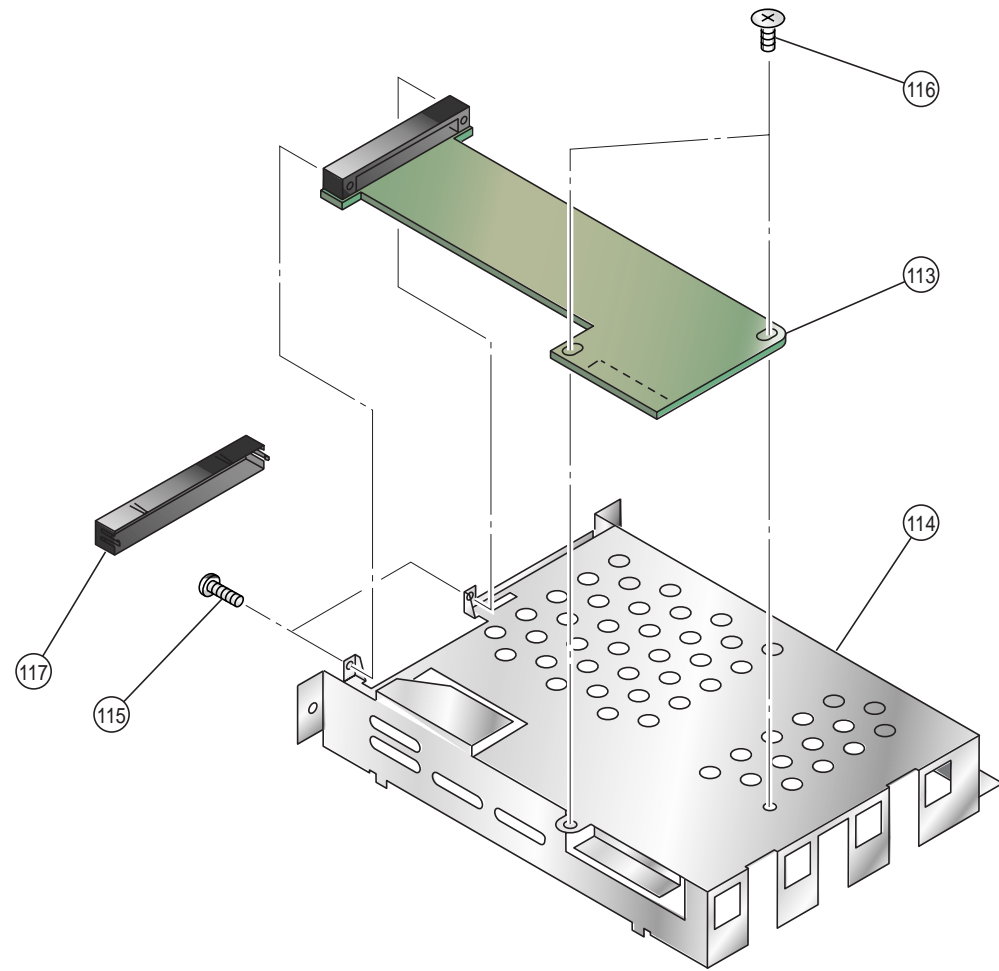
CAUTION

There are 2 taps behind Optical device for prevent the damage from static electricity. these are usually shorted by solder when it shipping factory. When You use the Optical device for repair, You have to open the 2 taps by melting solder.

In s case of the slide-cam (Ref.38) or the rubber belt (Ref.39) in the gear box assy broken, The slide-cam or The rubber belt should be exchanged itself, not Gear box assy.

When you exchange the feed DC-motor or Sub-chassis assy for repair, You have to grease Floil (SG474BY or a similar articles) up to Feed motor sledding gear and Sub-shaft.

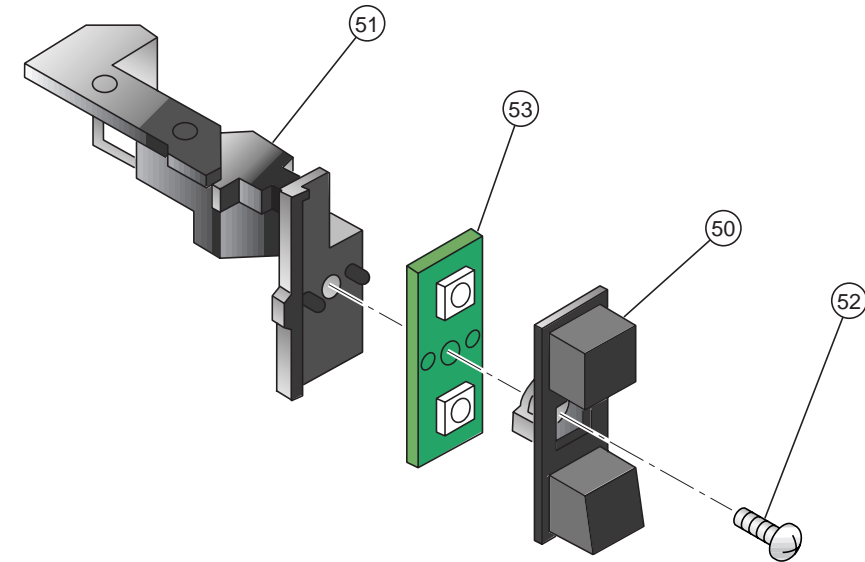
Frame (Upper) Block



FRAME (UPPER) BLOCK

Ref-No.	Part No.	Description	Remark	Place code
113	A-6712-834-A	GI-006 MOUNT		#25GI
114	X-3951-399-1	FRAME (UPPER) ASSY		#87
115	3-065-998-01	SCREW (M2X9), UNIT		#87
116	3-065-999-01	SCREW B (M2X1.6), UNIT		#87
117	3-066-273-01	COVER, CONNECTOR		#25GI

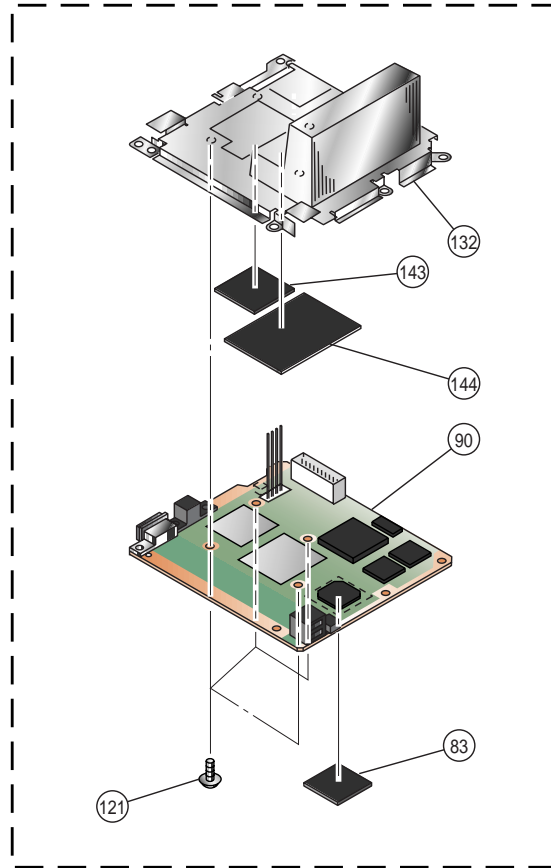
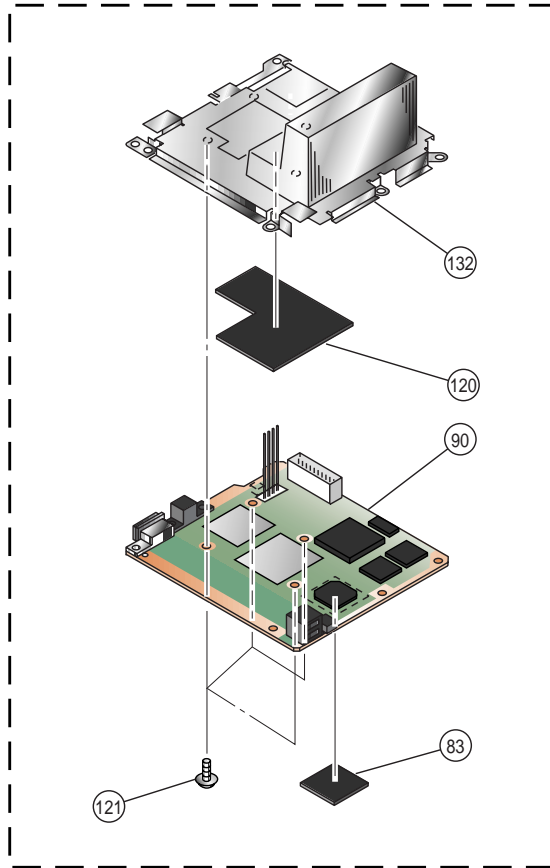
Switch Block



SWITCH BLOCK

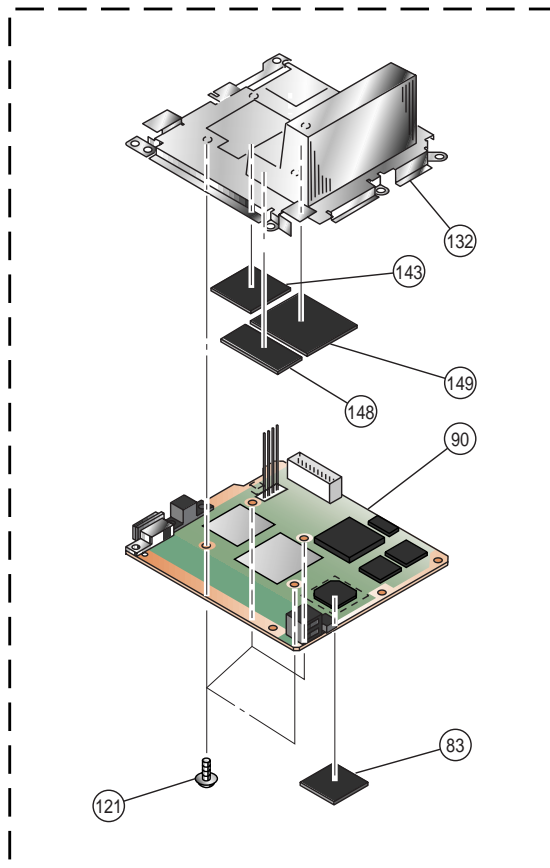
Ref-No.	Part No.	Description	Remark	Place code
50	3-059-665-03	BUTTON, SWITCH		#25SW
51	3-059-666-05	BRACKET, SWITCH		#25SW
52	7-685-105-11	TPG +P 2X8, TYPE 2, NON-SLIT		#25SW
53	A-6712-830-A	SW-355 MOUNT		#25SW

Shield (A) Assembly Block

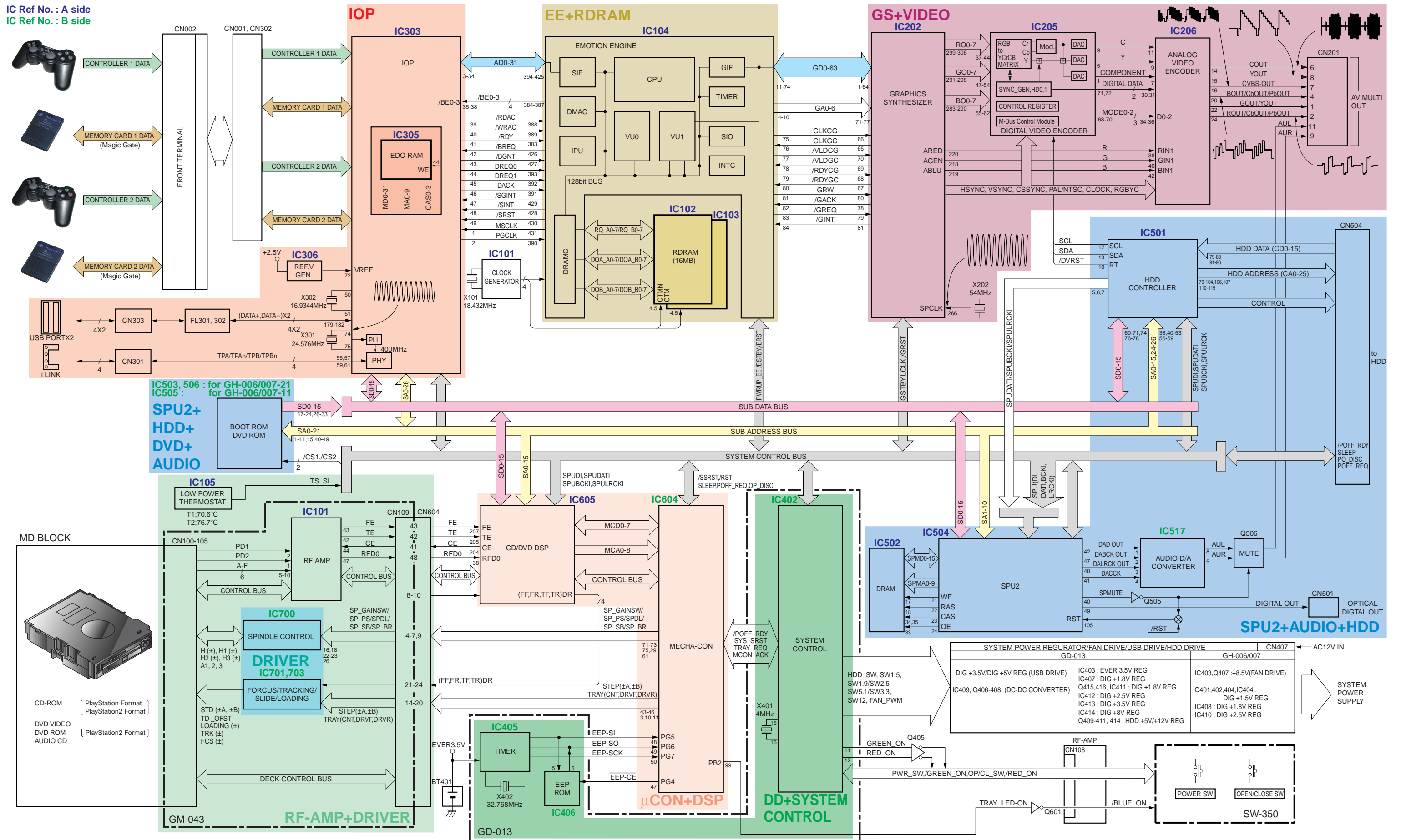


SHIELD (A) ASSEMBLY BLOCK

Ref-No.	Part No.	Description	Remark	Place code
83	3-060-388-01	SHEET, FERRITE		#87
90	A-6712-838-A	GH-006 MOUNT		#25GH
90	A-6712-856-A	GH-006 MOUNT		#25GH
90	A-6712-831-A	GH-006-11 MOUNT		#25GH
90	A-6712-835-A	GH-006-21 MOUNT		#25GH
90	A-6712-836-A	GH-006-11 MOUNT		#25GH
90	A-6712-837-A	GH-006-21 MOUNT		#25GH
90	A-6712-857-A	GH-007-11 MOUNT		#25GH
90	A-6712-858-A	GH-007-21 MOUNT		#25GH
90	A-6712-860-A	GH-007-11 MOUNT		#25GH
90	A-6712-861-A	GH-007-21 MOUNT		#25GH
120	3-059-652-01	SHEET (A), ELECTRIC HEAT		#87
121	3-061-369-01	SCREW (M2X6), PAN		#25GI
132	X-3951-394-1	SHIELD (A) ASSY		#87
143	3-066-277-01	SHEET (P), ELECTRIC HEAT		#25GH
144	3-066-278-01	SHEET (Q), ELECTRIC HEAT		#25GH
148	3-066-278-02	SHEET (Q), ELECTRIC HEAT		#87
149	3-066-678-01	SHEET (R), ELECTRIC HEAT		#87




SECTION 3 BLOCK DIAGRAM



SECTION 4 PRINTED WIRING BOARDS AND SCHEMATIC DIAGRAMS

THIS NOTE IS COMMON FOR PRINTED WIRING BOARDS AND SCHEMATIC DIAGRAMS.

Note on Printed Wiring Boards :

- Through hole is omitted.
-  : Pattern on the side which is seen.

Note on Schematic Diagram :

- Use caution when replacing chip parts.
New parts must be attached after removal of chip.
Be careful not to heat the minus side of tantalum capacitor, because it is damaged by the heat.
- All capacitors are in μF unless otherwise noted. pF : $\mu\mu\text{F}$ 50 WV or less are not indicated except for electrolytics and tantalums.
- All resistors are in Ω and 1/4 W (Chip resistors : 1/10W) unless otherwise specified.
- Chip resistors are 1/8 W or 1/10 W unless otherwise noted.
k Ω : 1000 Ω , M Ω : 1000 k Ω .






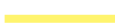






Note :

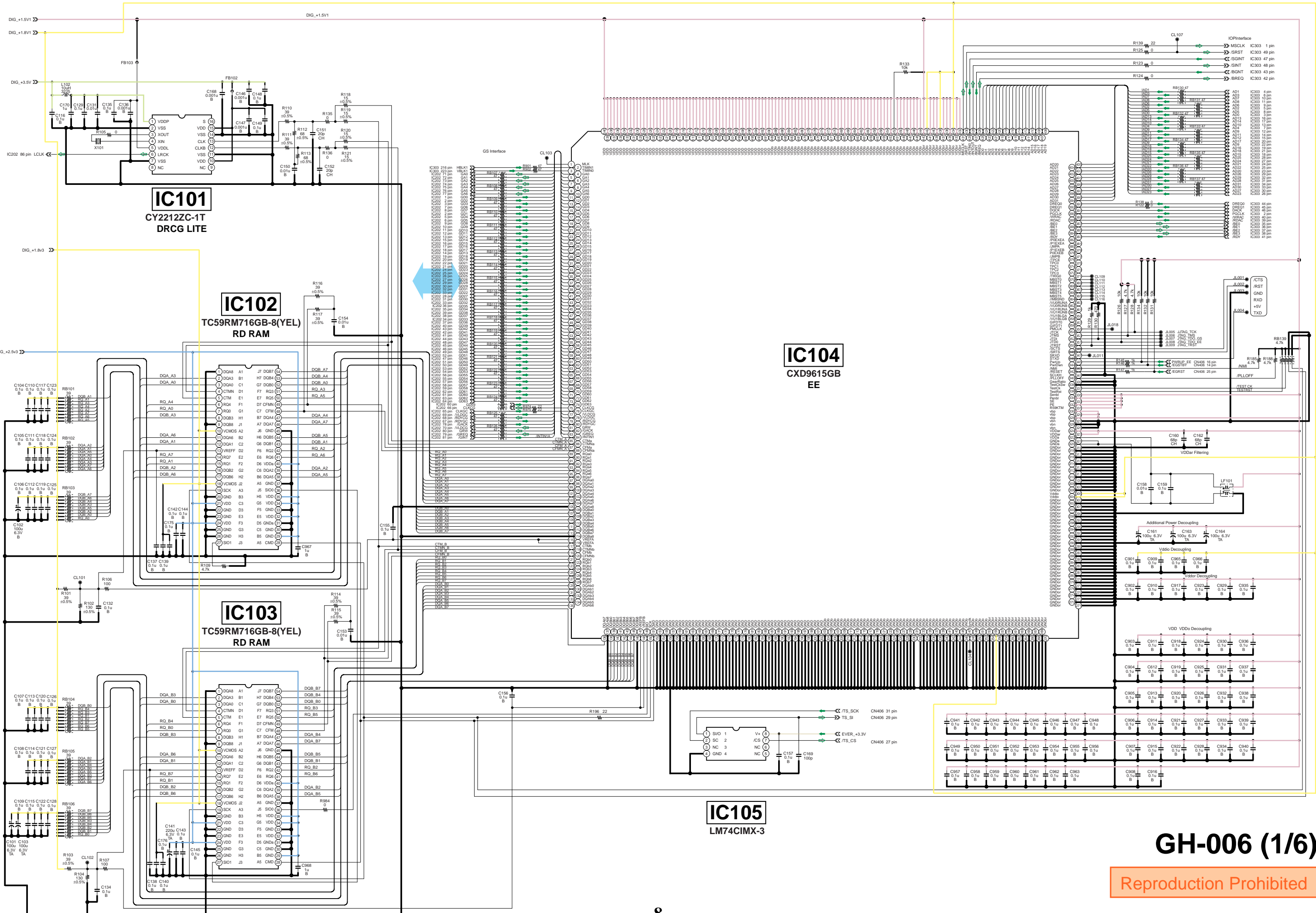
The components identified by mark \triangle or dotted line with mark \triangle are critical for safety. Replace only with part number specified.

Note :

Les composants identifiés par une marque \triangle sont critiques pour la sécurité. Ne les remplacer que par une pièce portant le numéro spécifié.

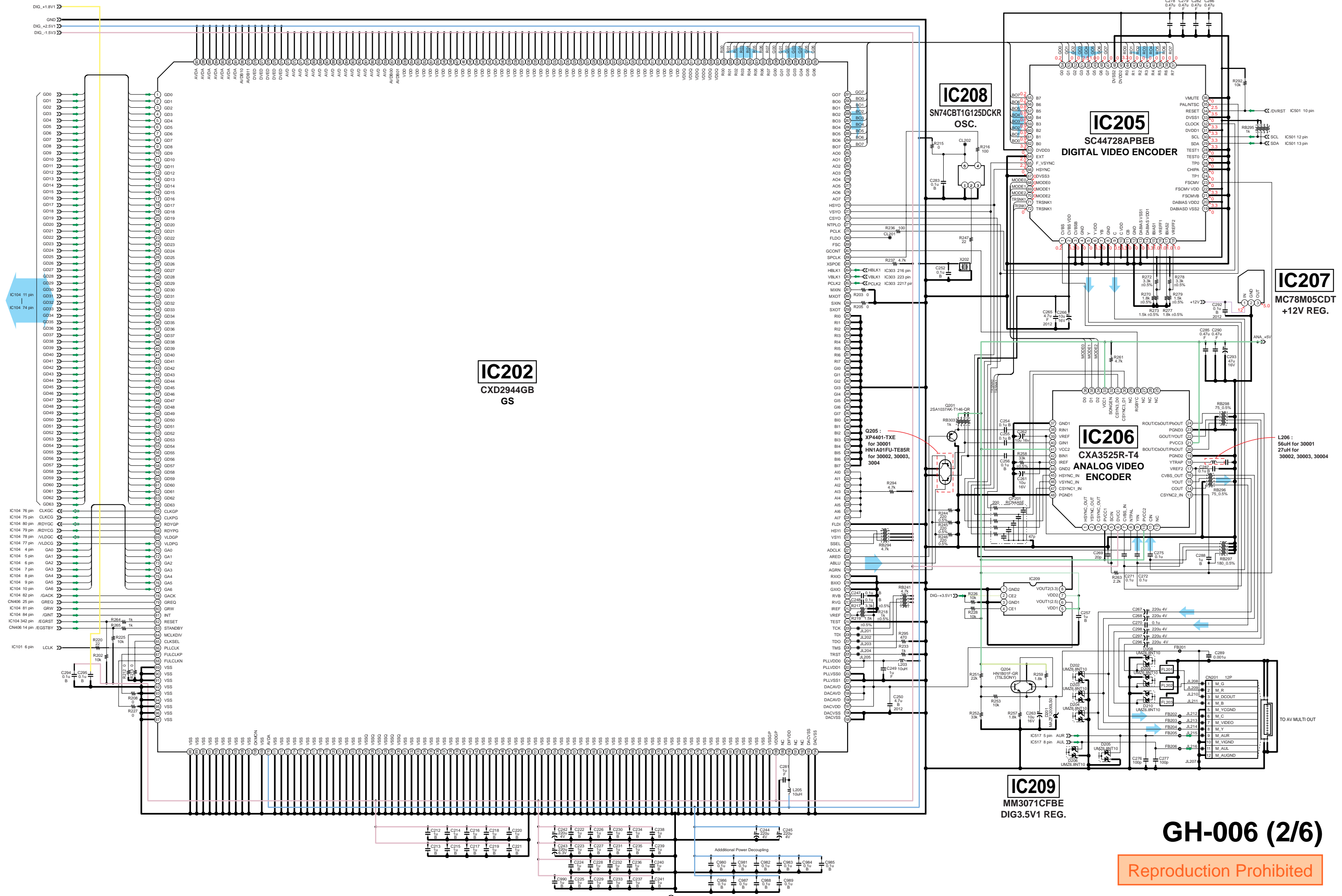
Note on DC Power line :

- | | |
|---|---|
| • +12V :  | • +3.3V :  |
| • +8.0V :  | • +2.5V :  |
| • +5.0V :  | • +1.8V :  |
| • +3.5V :  | • +1.7V :  |
| • +3.4V :  | • +1.5V :  |
-
- | | |
|---|--|
| • IN :  | • Main Signal Line :  |
| • OUT :  | |



GH-006 (1/6)

Reproduction Prohibited



IC104 11 pin
IC104 74 pin

IC104 76 pin CLKGC
IC104 75 pin CLKGC
IC104 80 pin RDYCG
IC104 79 pin RDYCG
IC104 78 pin VLDGC
IC104 77 pin VLDGC
IC104 4 pin GA0
IC104 5 pin GA1
IC104 6 pin GA2
IC104 7 pin GA3
IC104 8 pin GA4
IC104 9 pin GA5
IC104 10 pin GA6
IC104 82 pin GACK
CN406 25 pin GREQ
IC104 81 pin GRW
IC104 84 pin GINT
IC104 342 pin EGRSTY
CN406 14 pin EGRSTBY

IC101 6 pin LCLK

IC202
CXD2944GB
GS

IC208
SN74CBT1G125DCR
OSC.

IC205
SC44728APBEB
DIGITAL VIDEO ENCODER

IC207
MC78M05CDT
+12V REG.

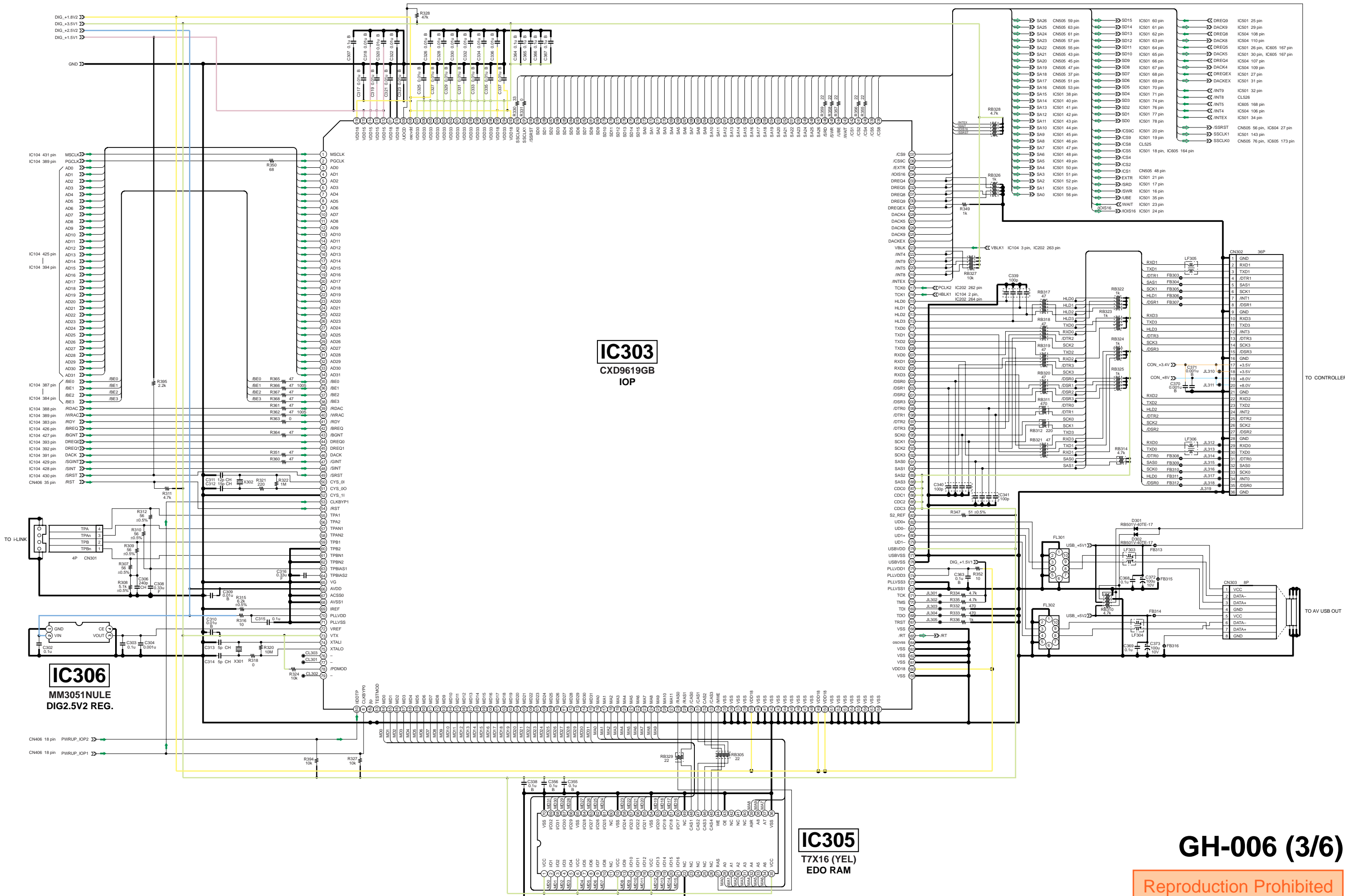
IC206
CXA3525R-T4
ANALOG VIDEO ENCODER

IC209
MM3071CFBE
DIG3.5V1 REG.

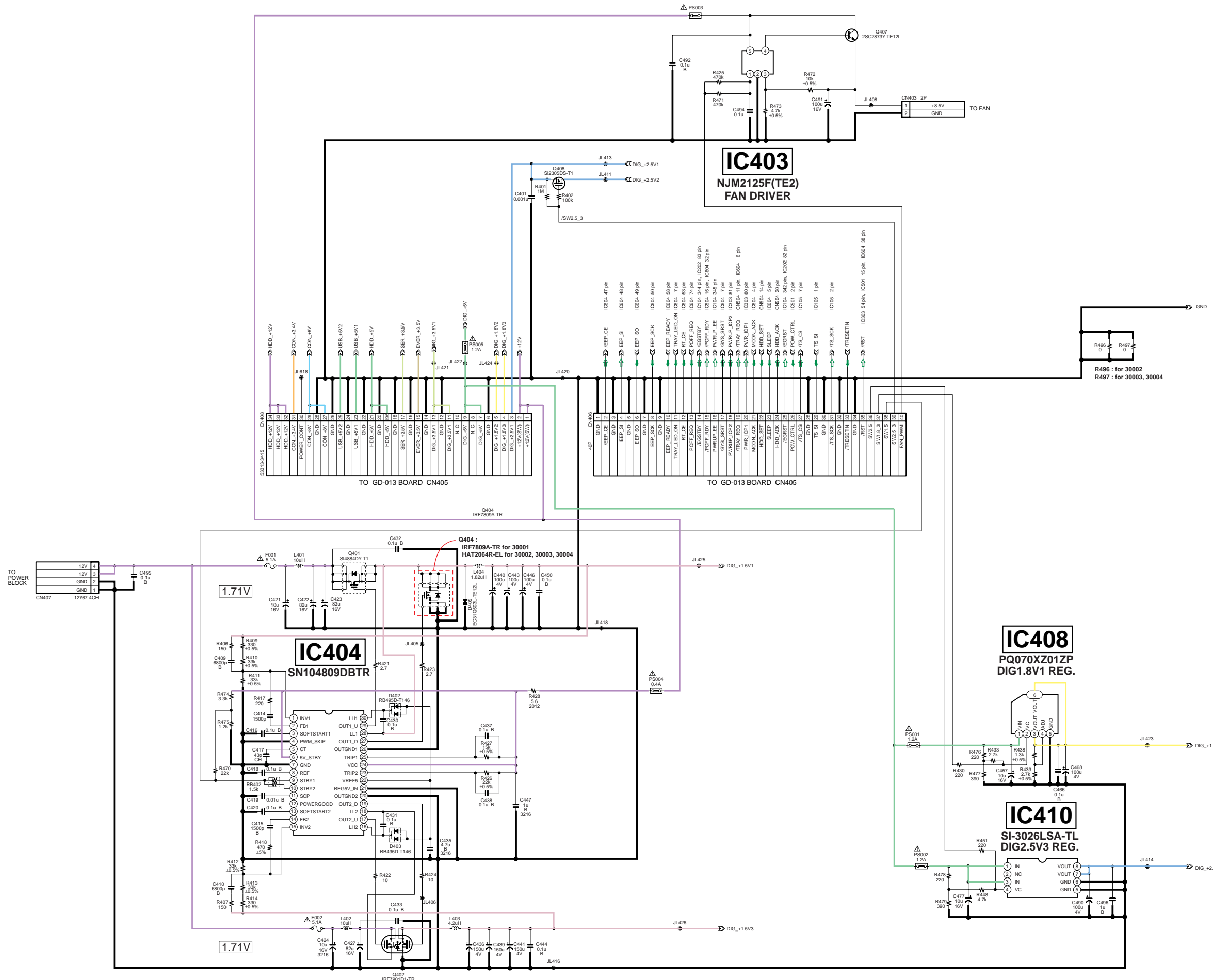
L206 :
55uH for 30001
27uH for 30002, 30003, 30004

GH-006 (2/6)

Reproduction Prohibited



GH-006 (3/6)
 Reproduction Prohibited



GH-006 (4/6)

Reproduction Prohibited

IC518 : for GH-006-11

IC518

C526, C543, R527 :
for GH-006-11 (30001) and
GH-006-21 (30002, 30003, 30004)

IC503

IC503

MRBOOT ROM

MR27V3202E-25TPZ020 : for GH-006-11 (30002, 30003, 30004)
MR27V1602E-23TPZ020 : for GH-006-11 (30001)

IC506

MR2DVD ROM

IC506 MR27V1602E-44TPZ020 : for GH-006-11 (30002)
MR27V1602E-45TPZ020 : for GH-006-11 (30003, 30004)
MR27V3202E-24TPZ020 : for GH-006-21 (30001)

IC502

SDMN18165CTM6S
DRAM

IC504

CXD2942AR
SPU2

IC505

TC5364200FT-AU120 : for GH-006-21 (30001)
TC5364200FT-AU120 : for GH-006-21 (30002)
TC5364200FT-AE120 : for GH-006-21 (30003, 30004)
DVD/BOOT ROM

C512, C505 :
for GH-006-11 (30002, 30003, 30004)
and GH-006-21 (30001)

IC501

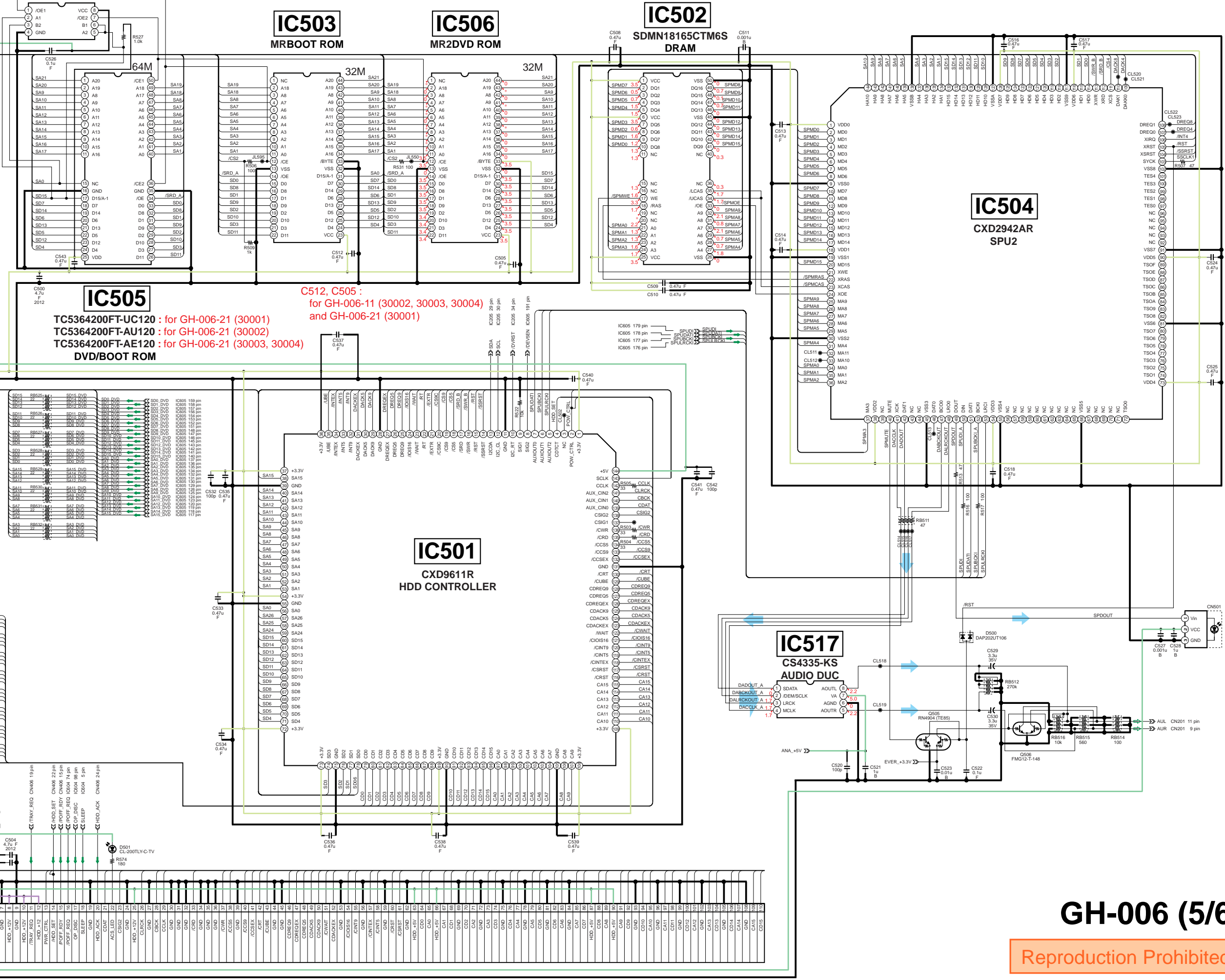
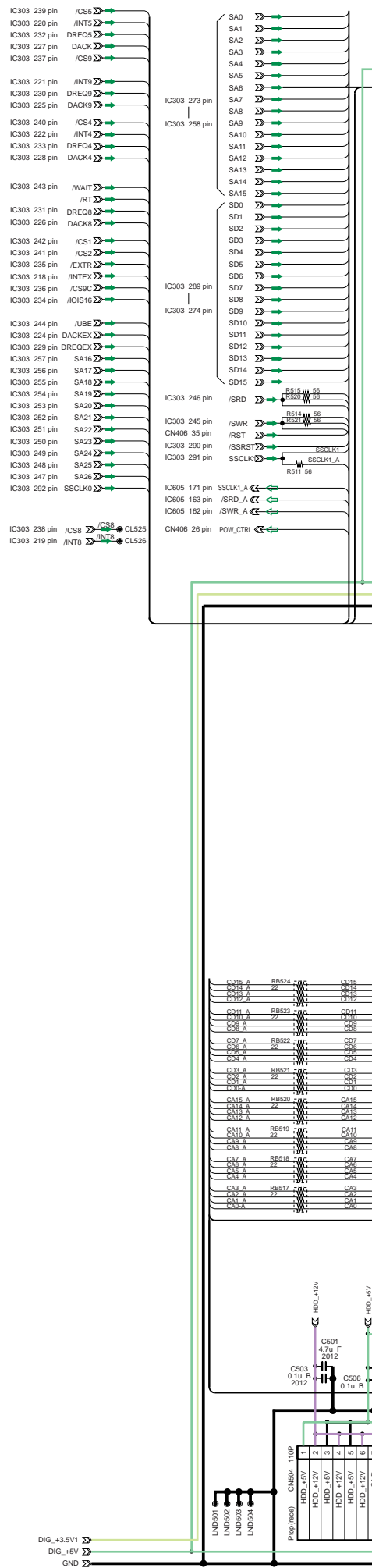
CXD9611R
HDD CONTROLLER

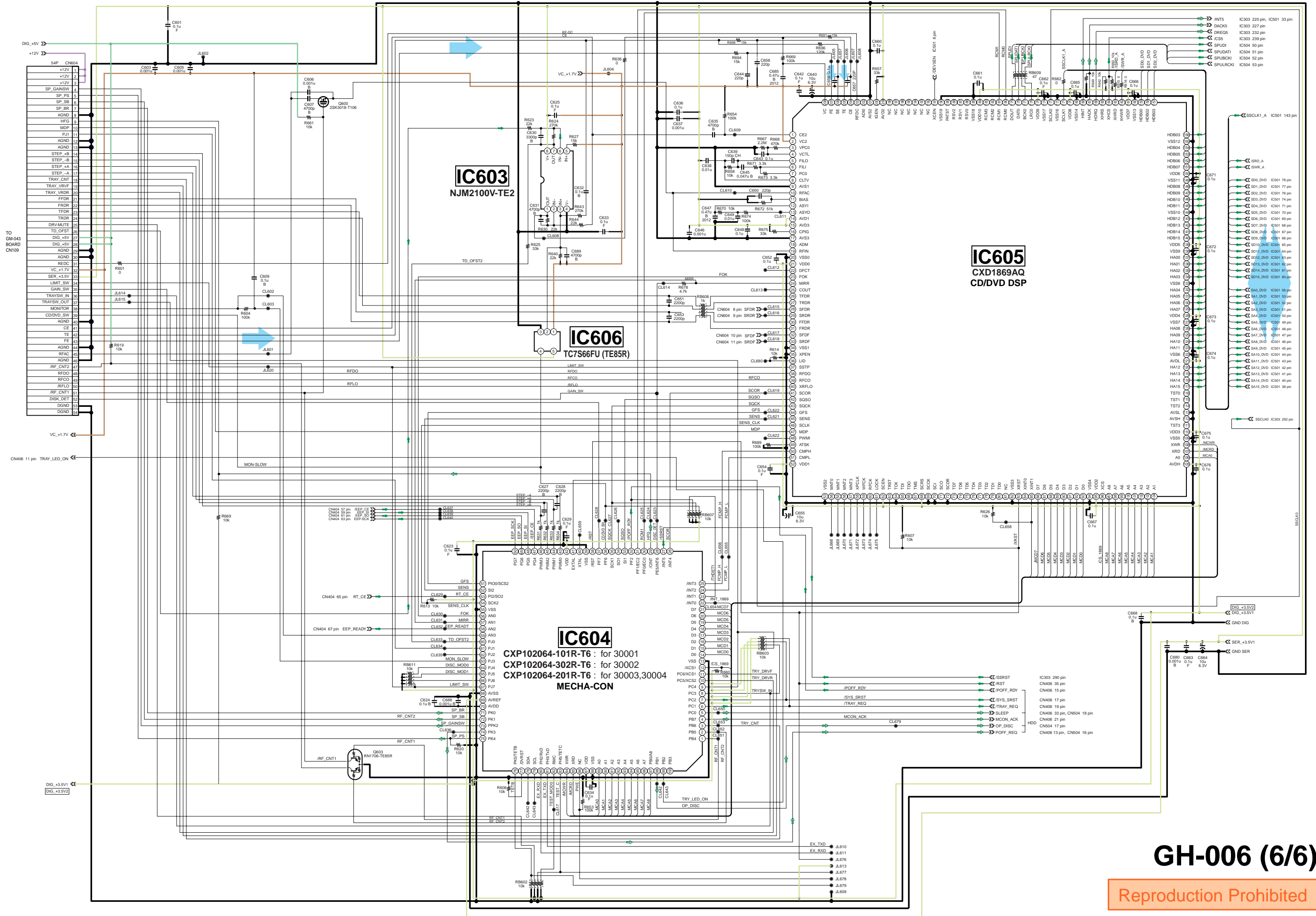
IC517

CS4335-KS
AUDIO DUC

GH-006 (5/6)

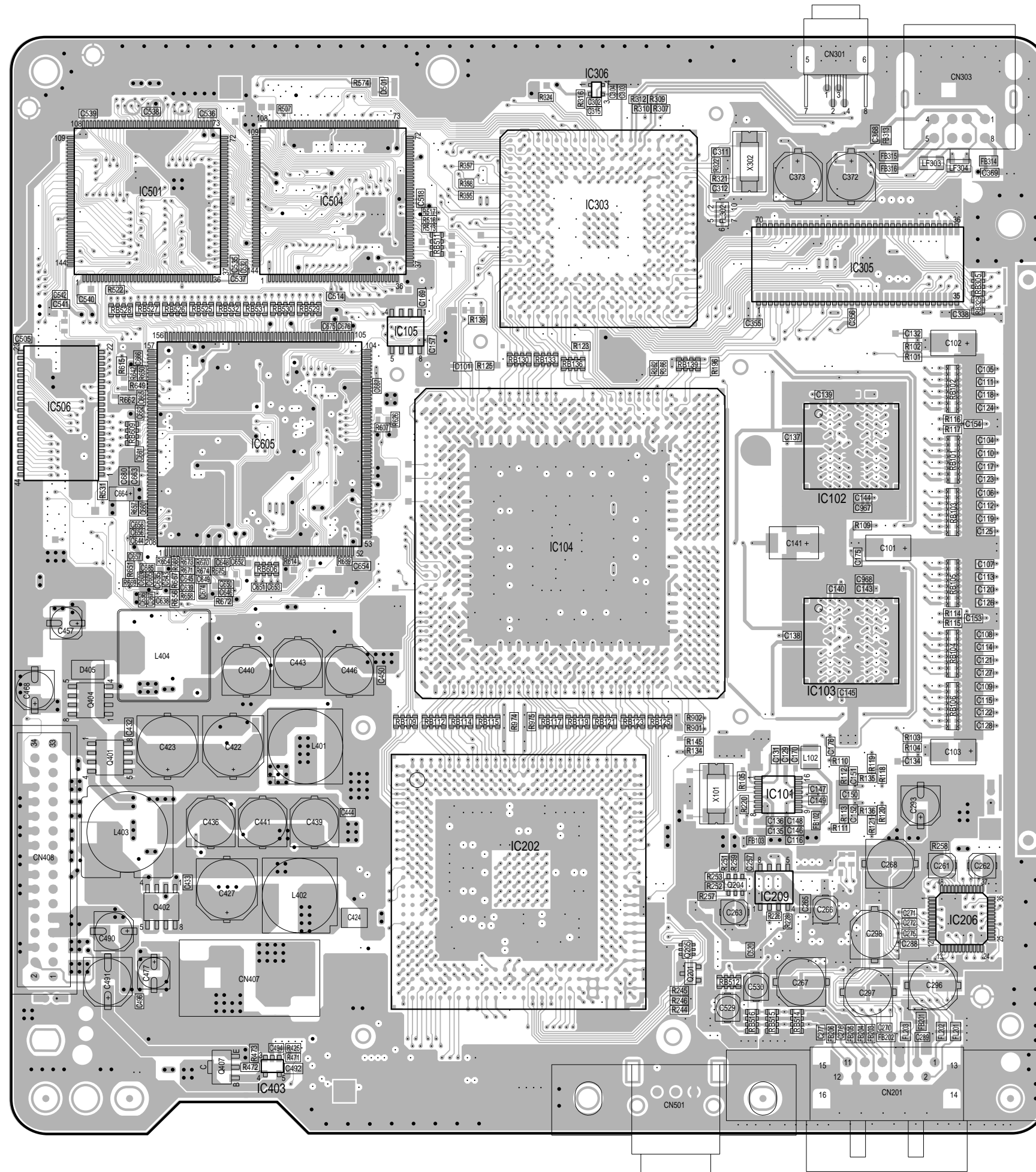
Reproduction Prohibited





GH-006 (6/6)

Reproduction Prohibited

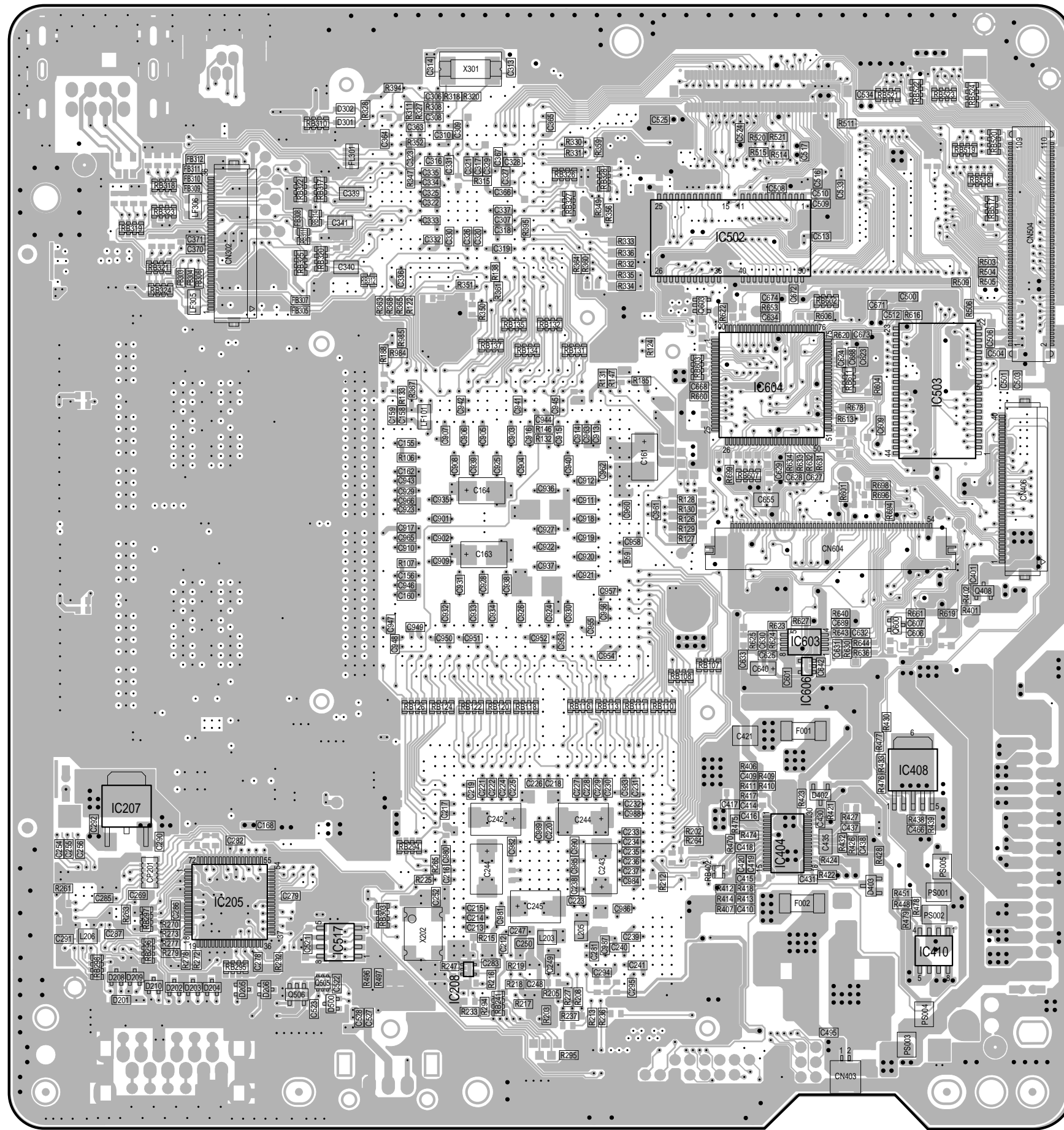


11

GH-006

A side

Reproduction Prohibited

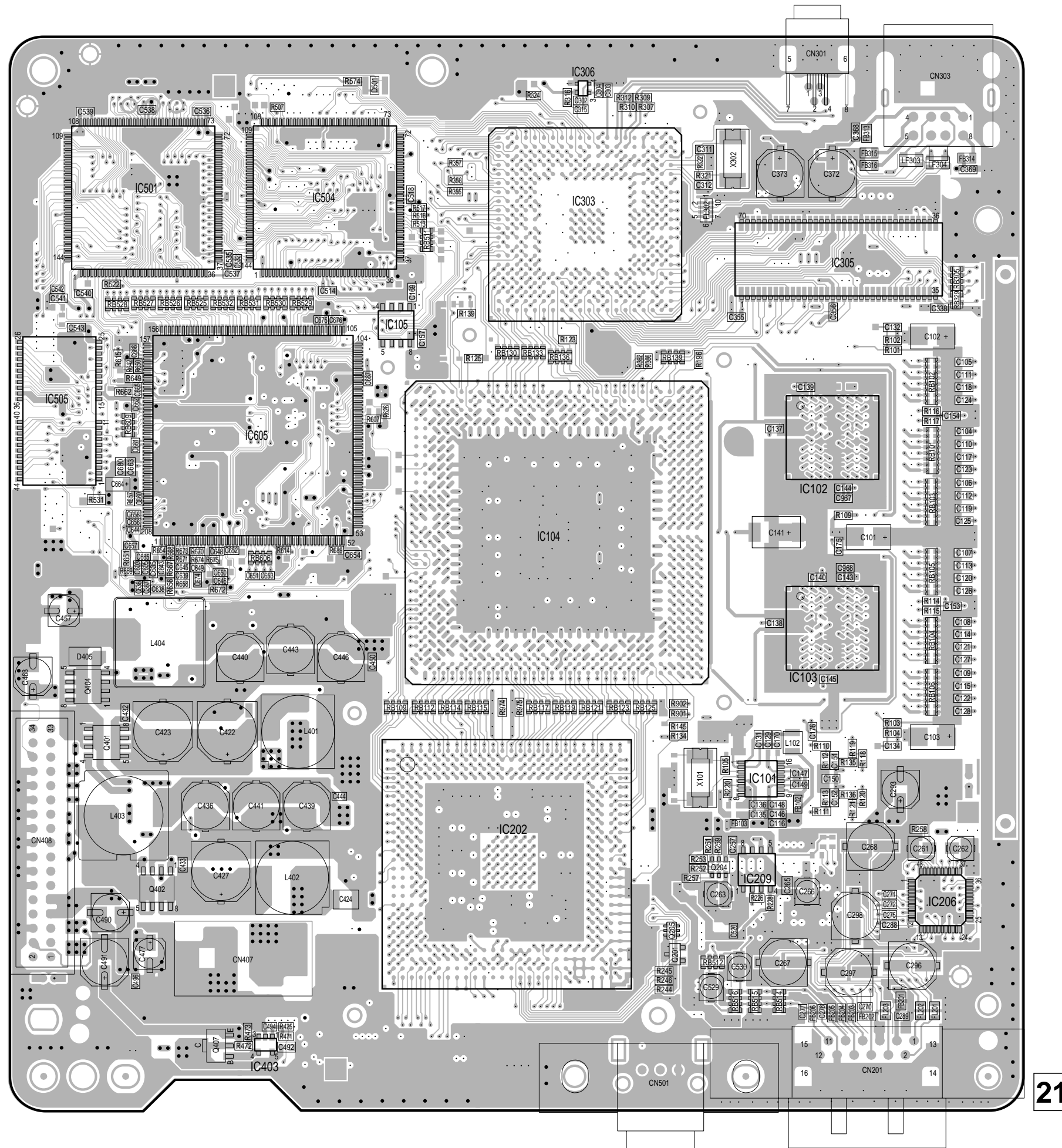


11

GH-006

B side

Reproduction Prohibited

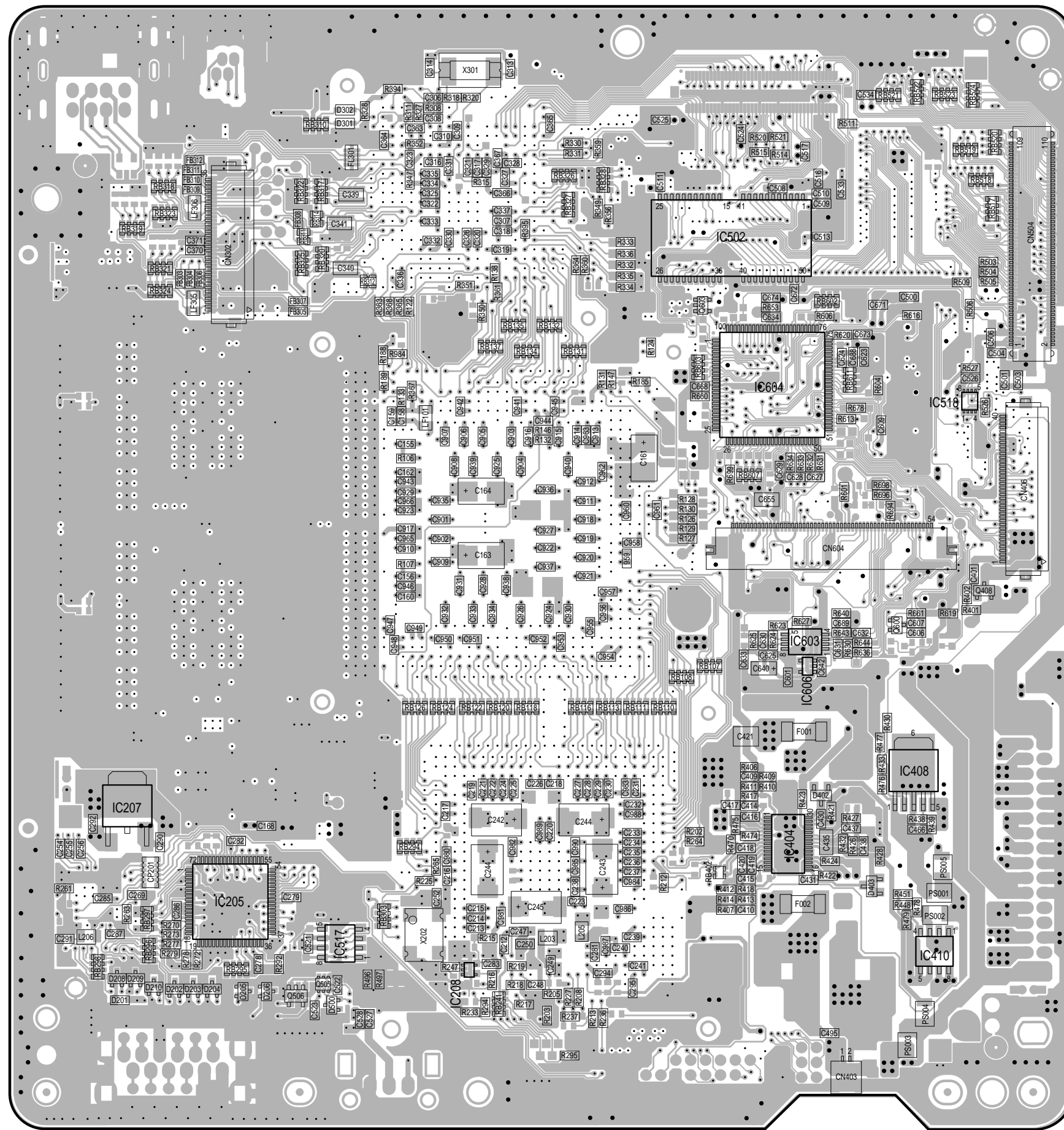


21

GH-006

A side

Reproduction Prohibited

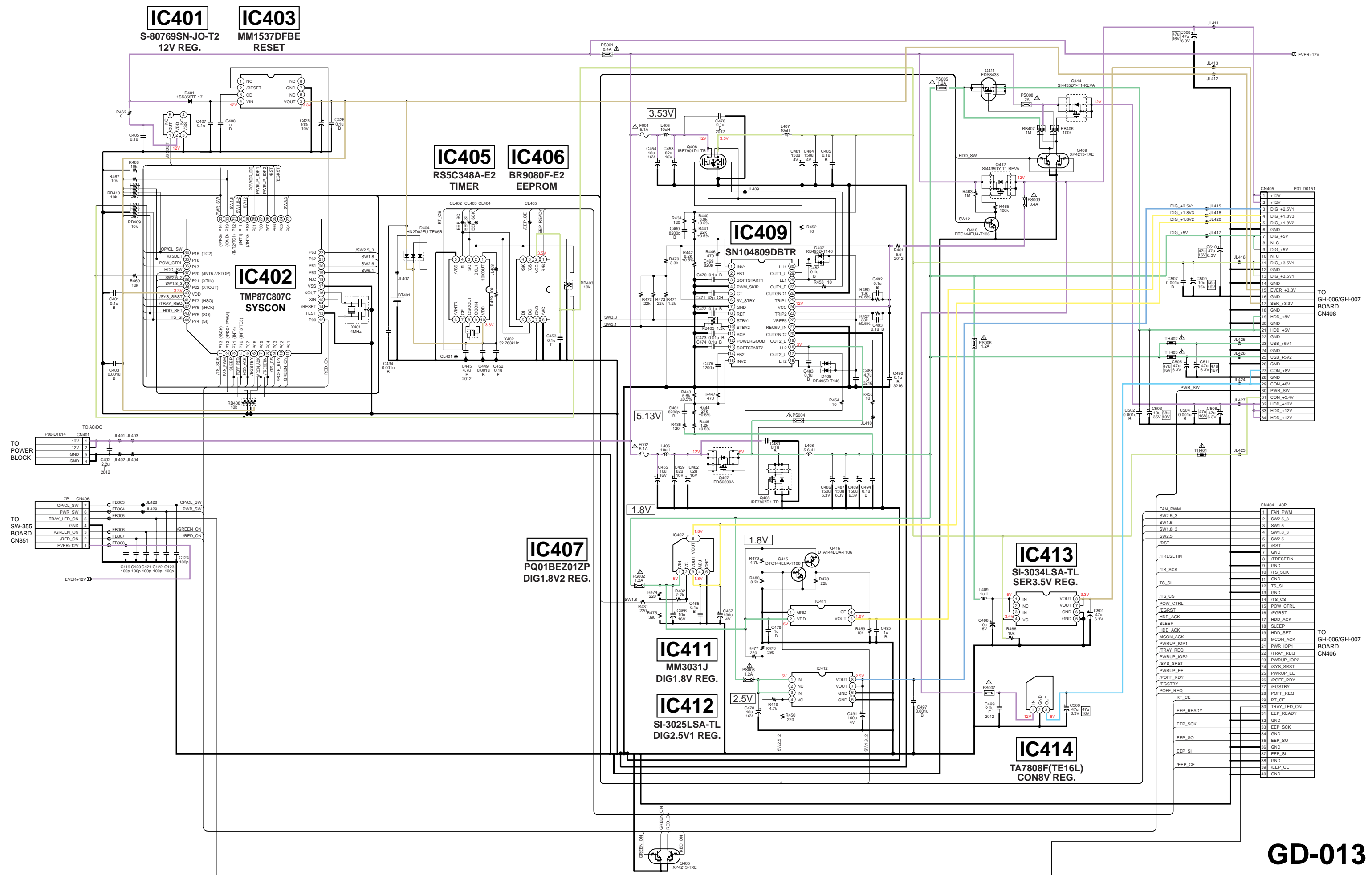


21

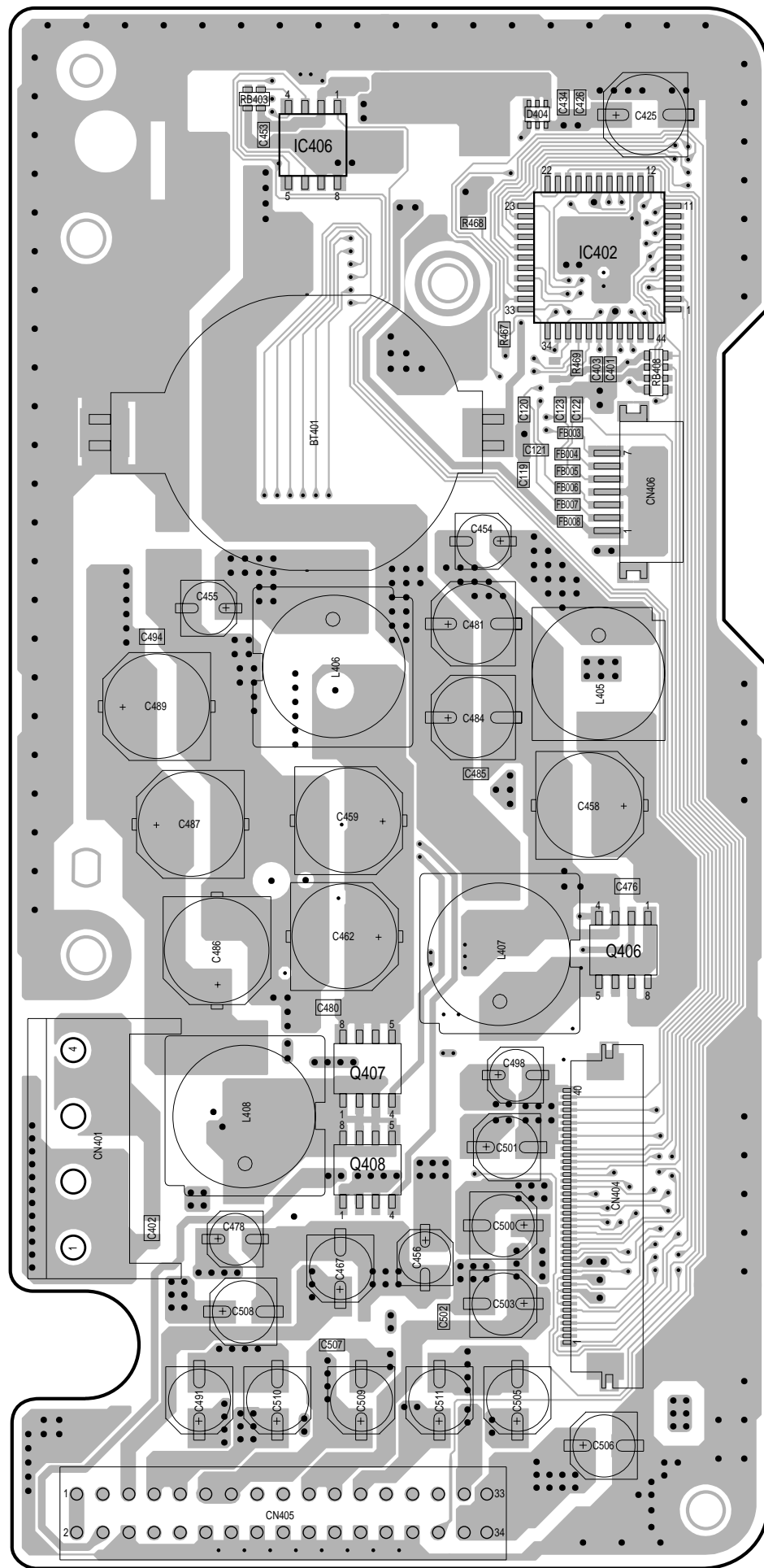
GH-006

B side

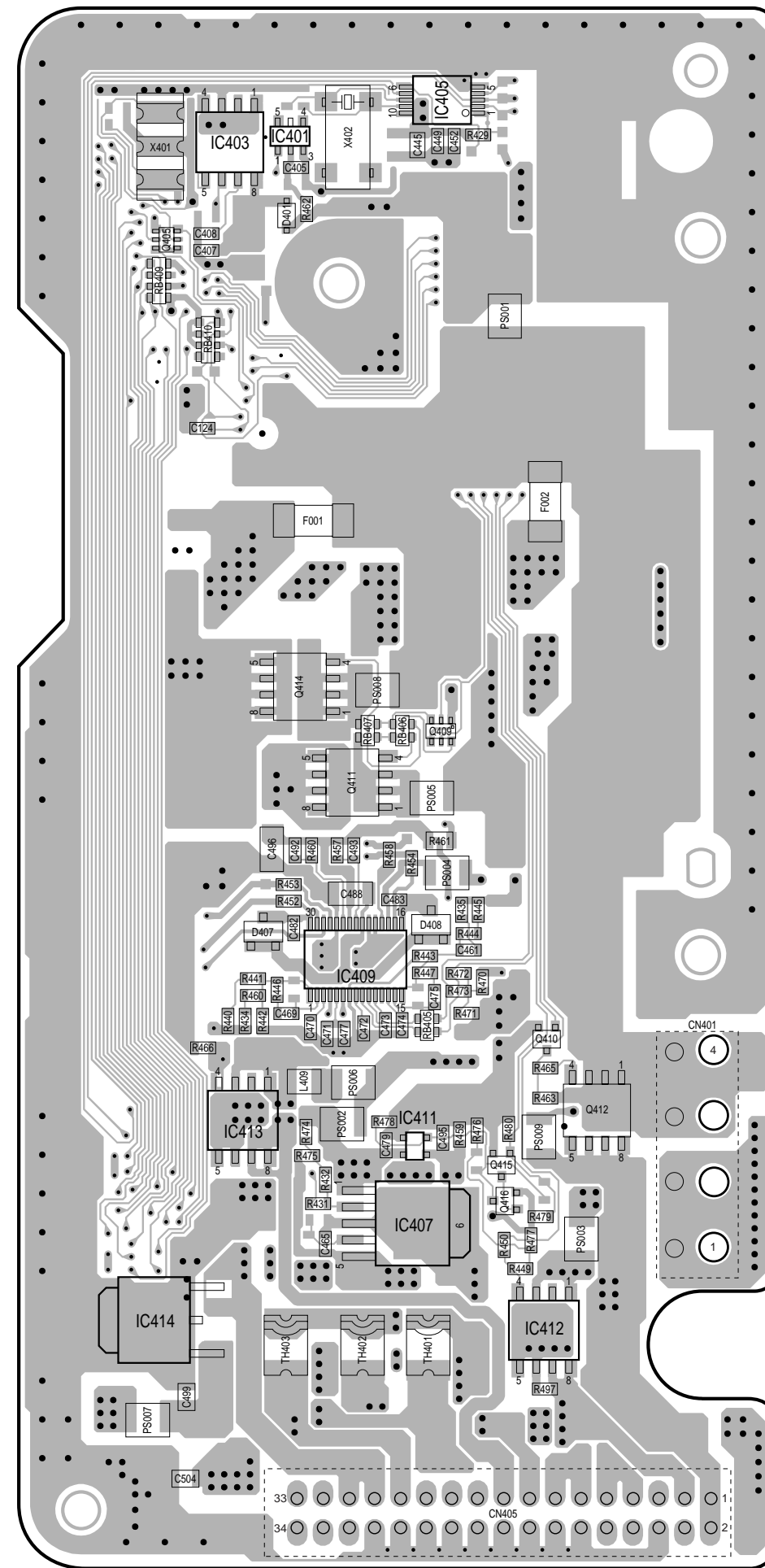
Reproduction Prohibited



Reproduction Prohibited

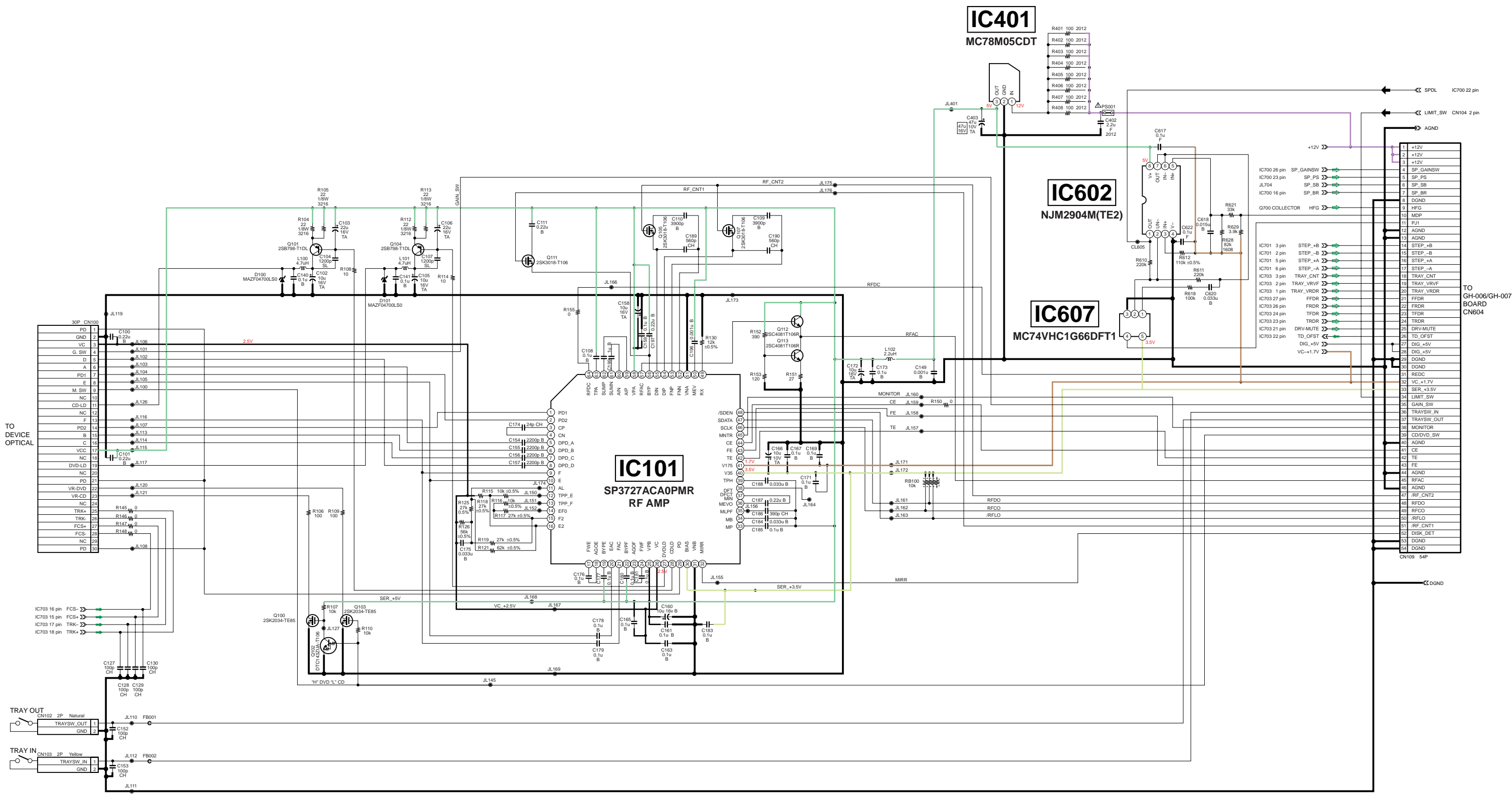


GD-013
A side



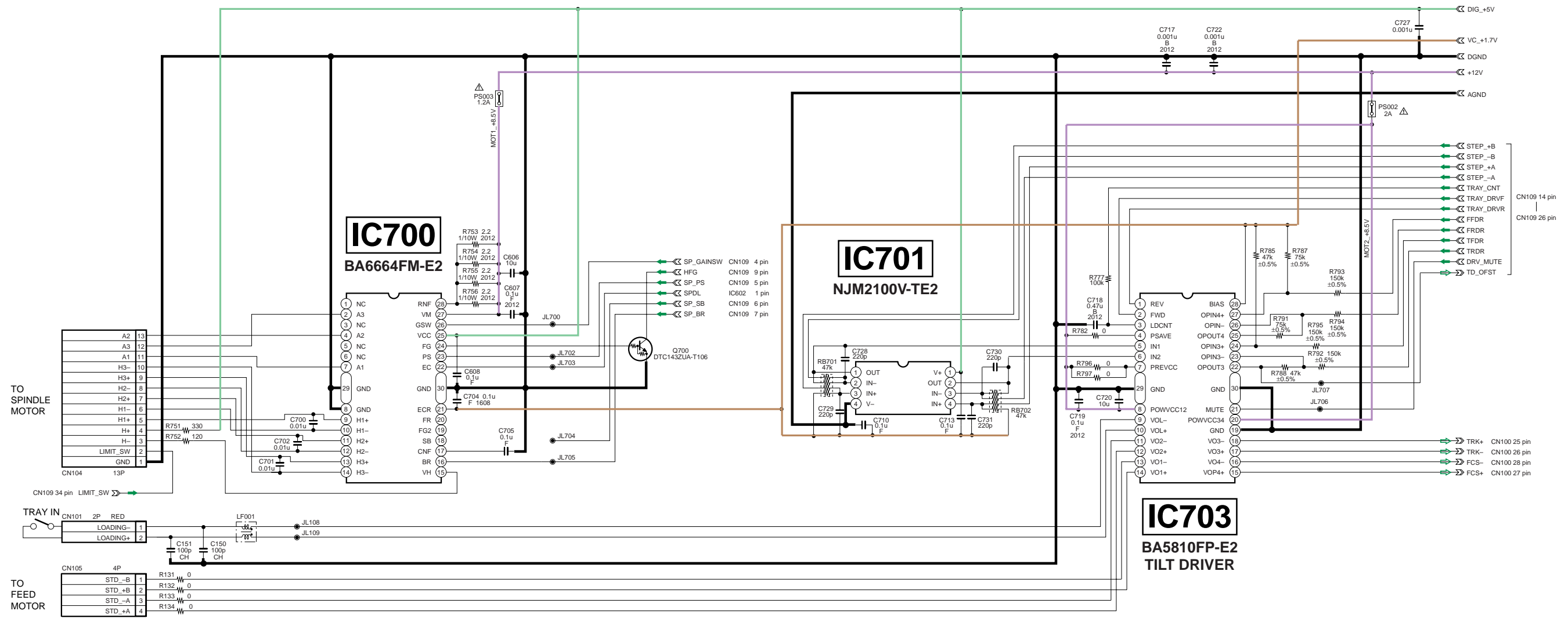
GD-013
B side

Reproduction Prohibited



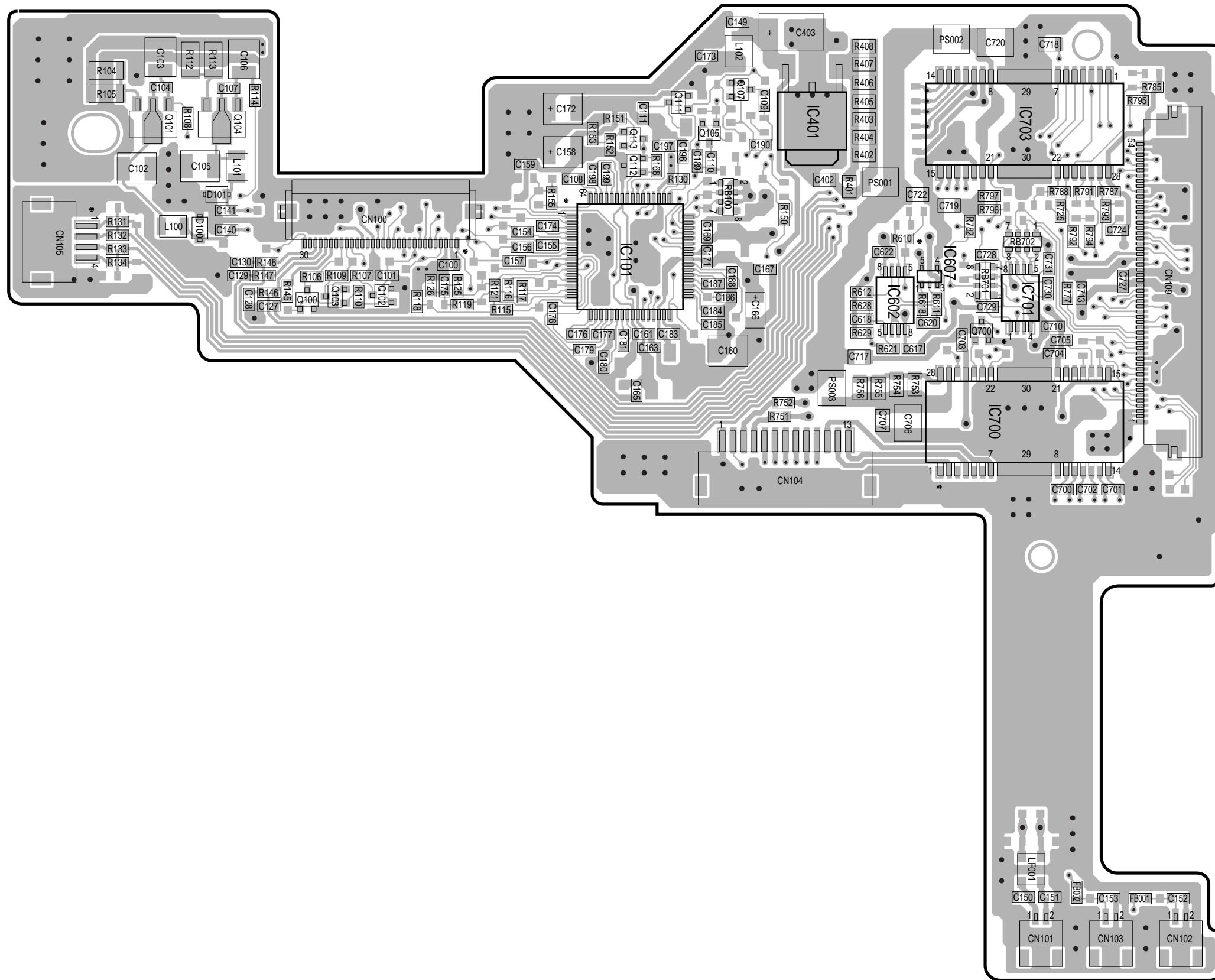
GM-043 (1/2)

Reproduction Prohibited



GM-043 (2/2)

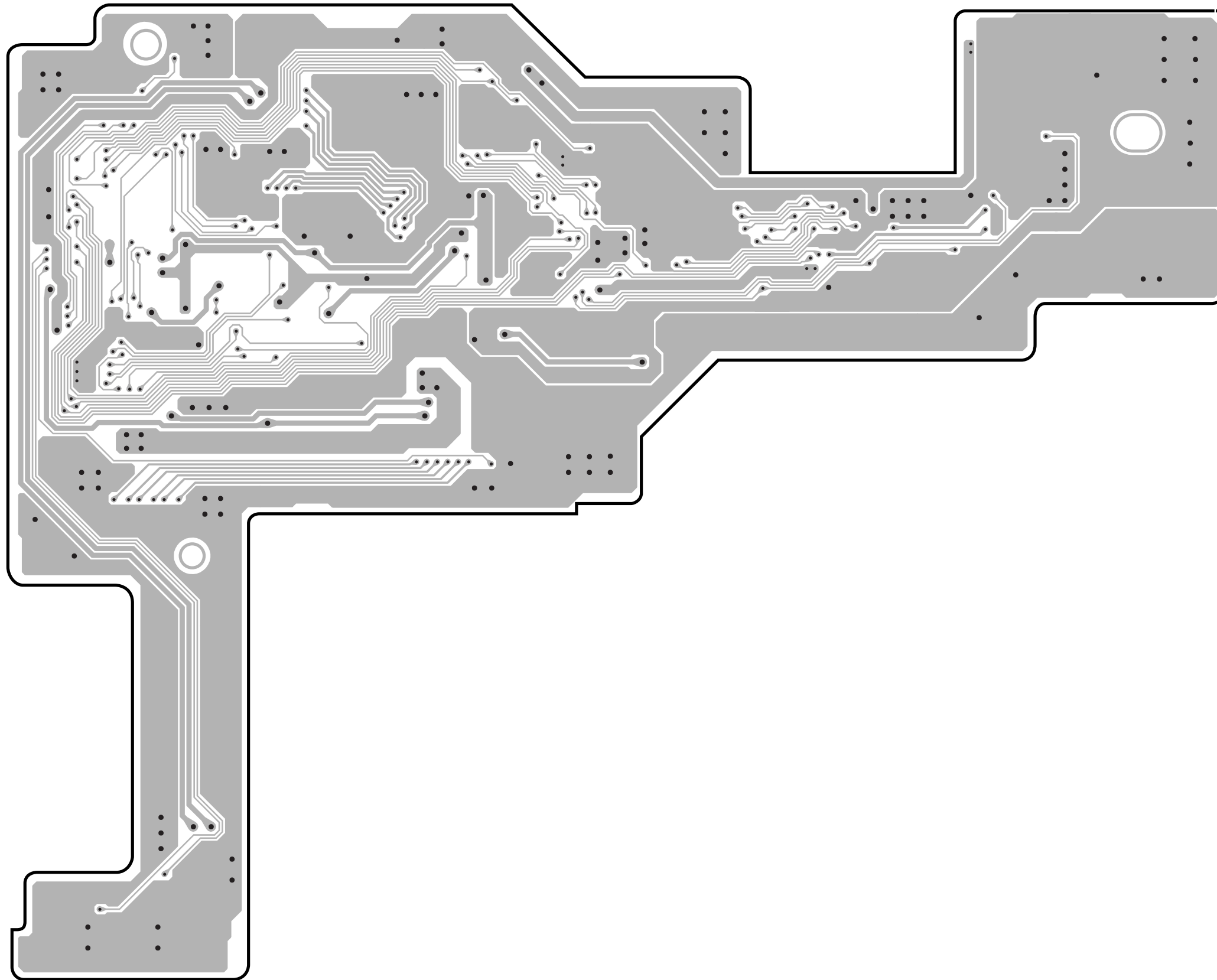
Reproduction Prohibited



GM-043

B side

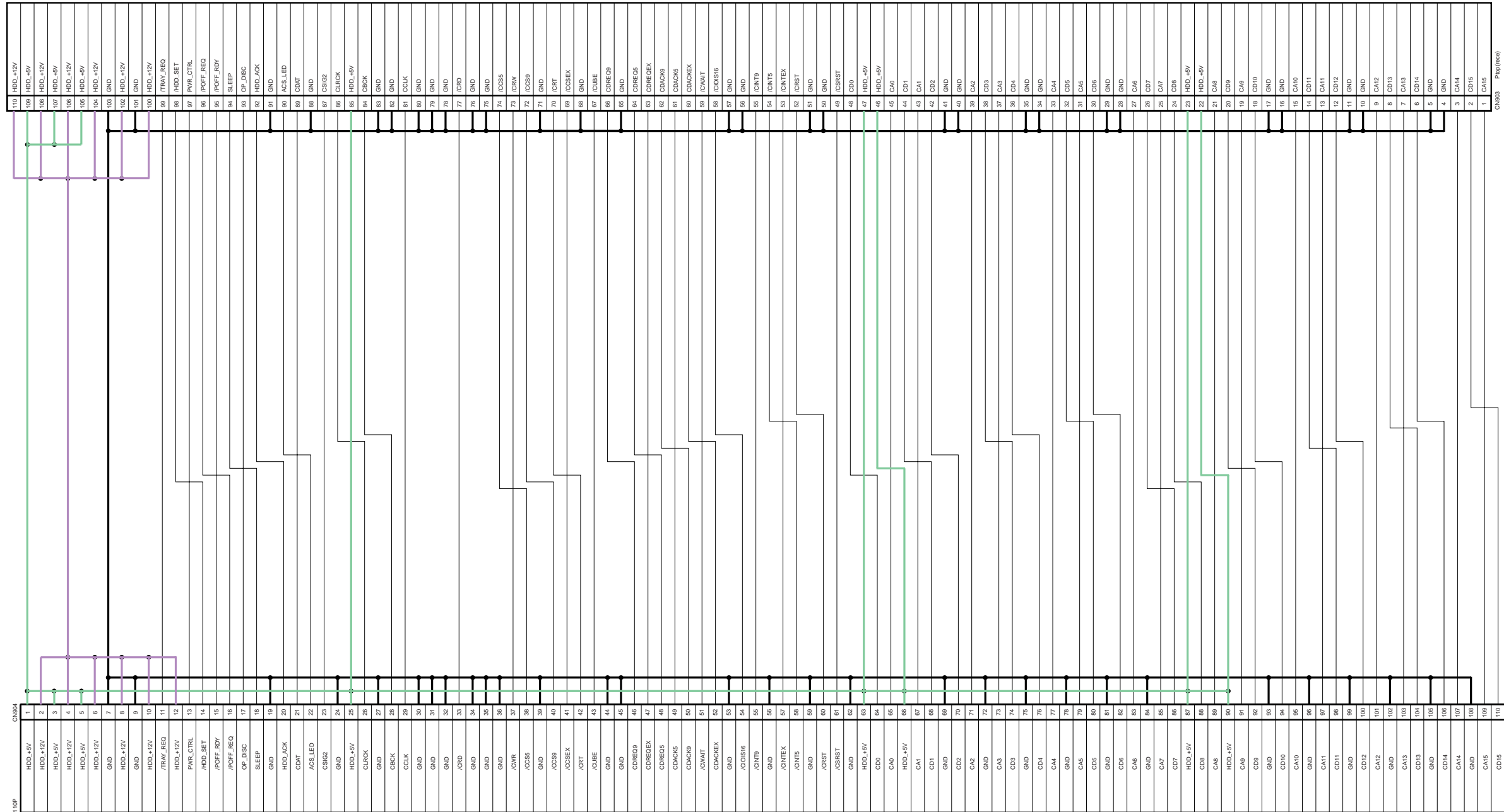
Reproduction Prohibited



GM-043
A side

Reproduction Prohibited

GI side

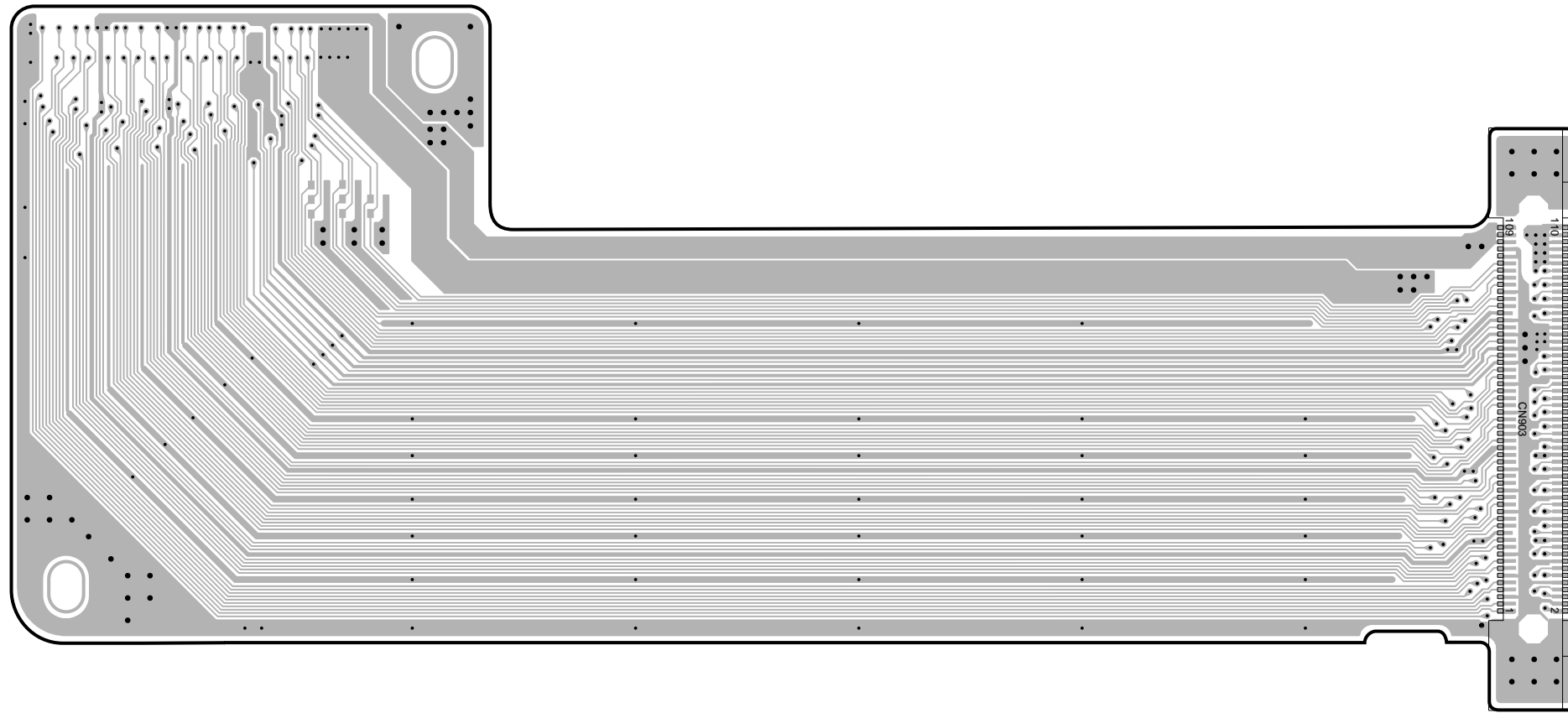


GH side

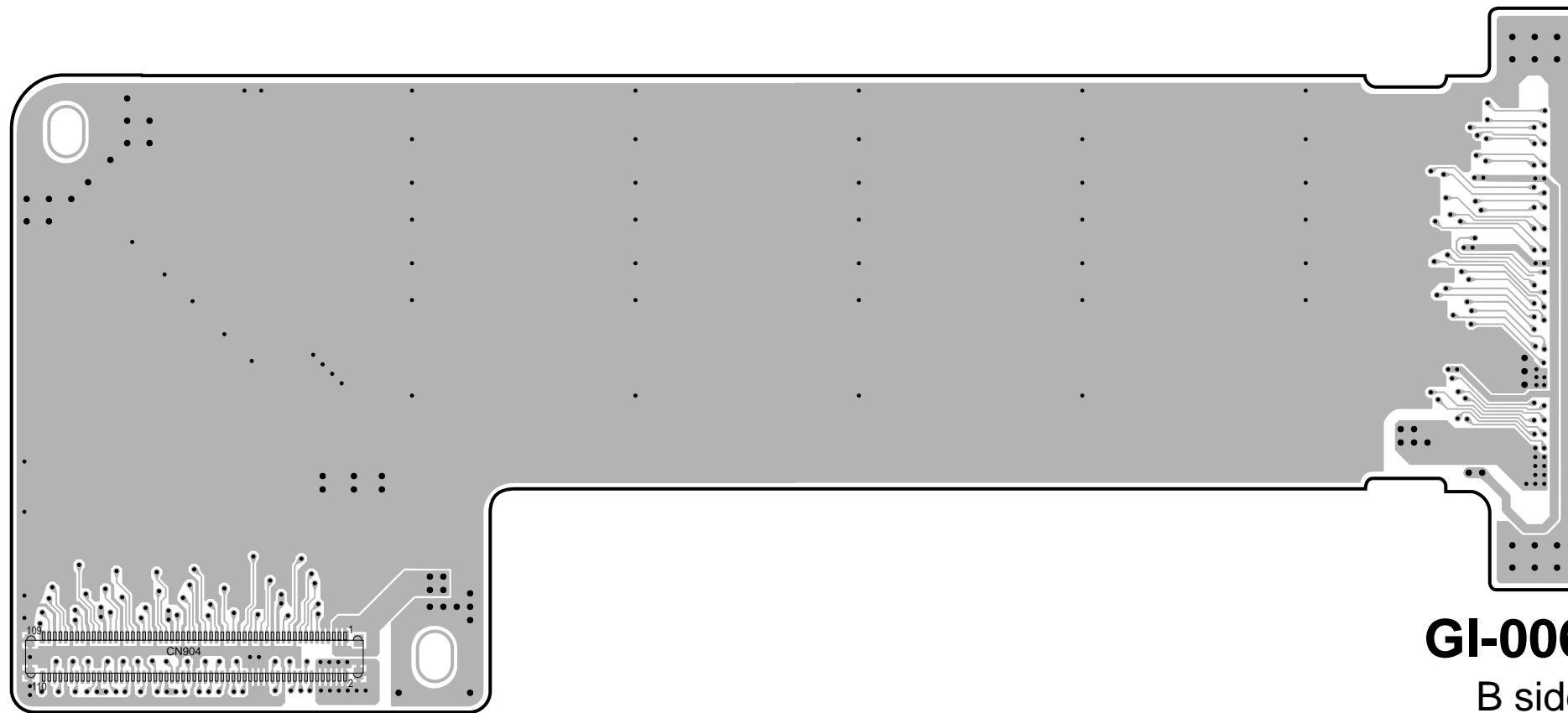
TO GH-006/GH-007 BOARD
CN504

GI-006

Reproduction Prohibited

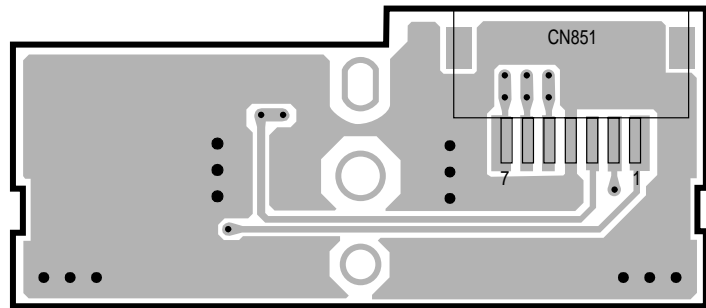


GI-006
A side

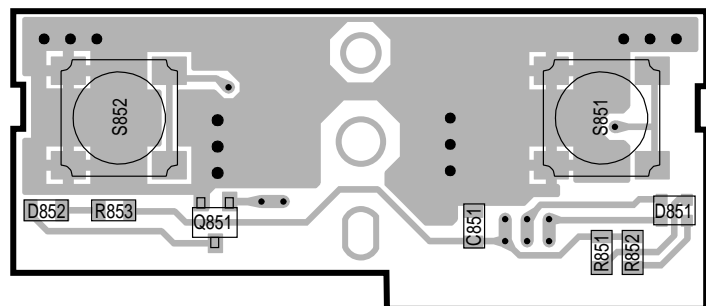


GI-006
B side

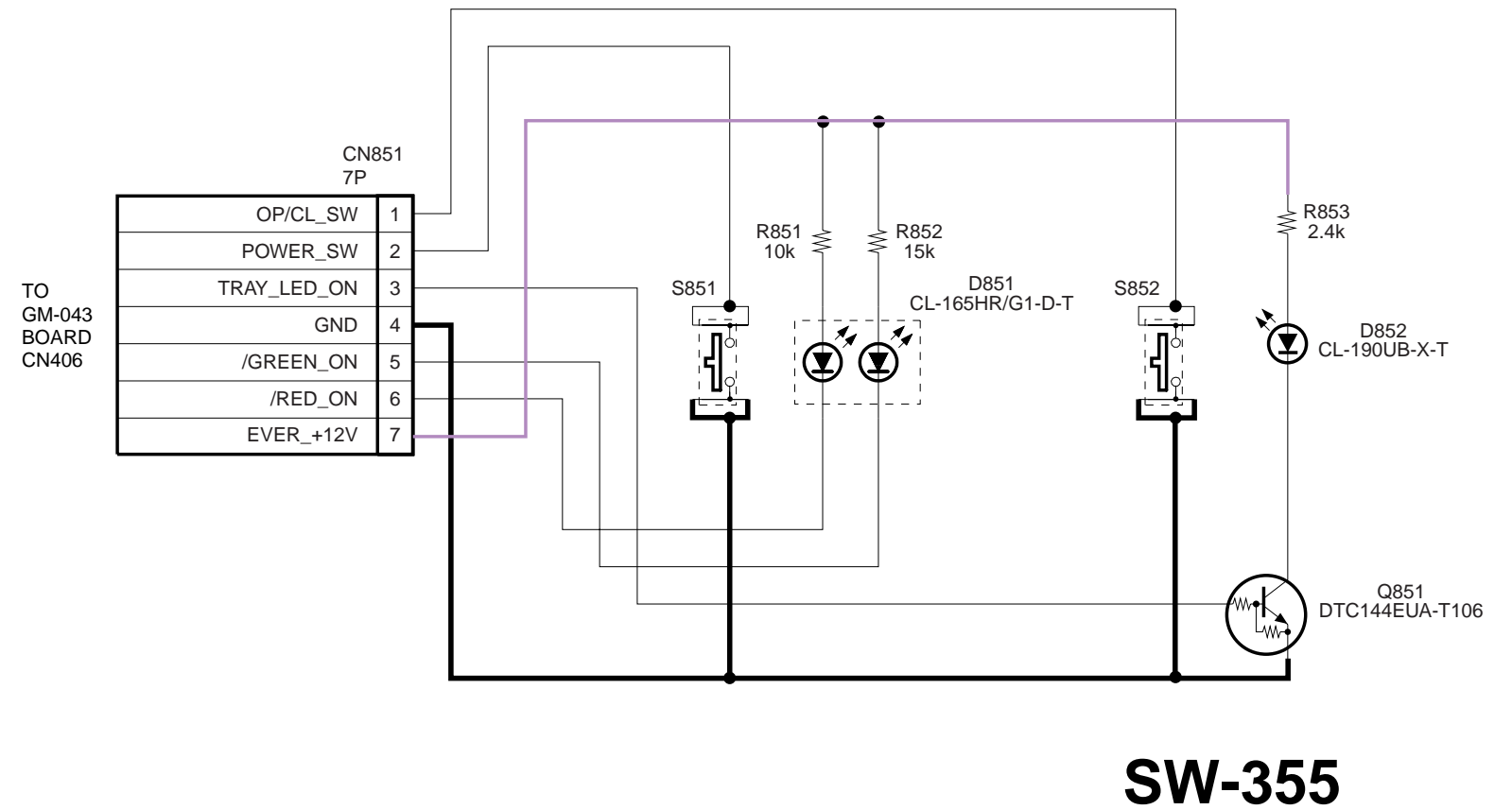
Reproduction Prohibited



SW-355
A side



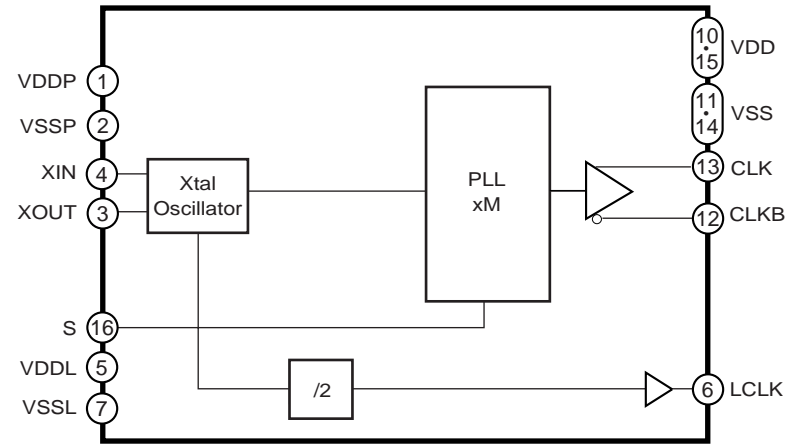
SW-355
B side



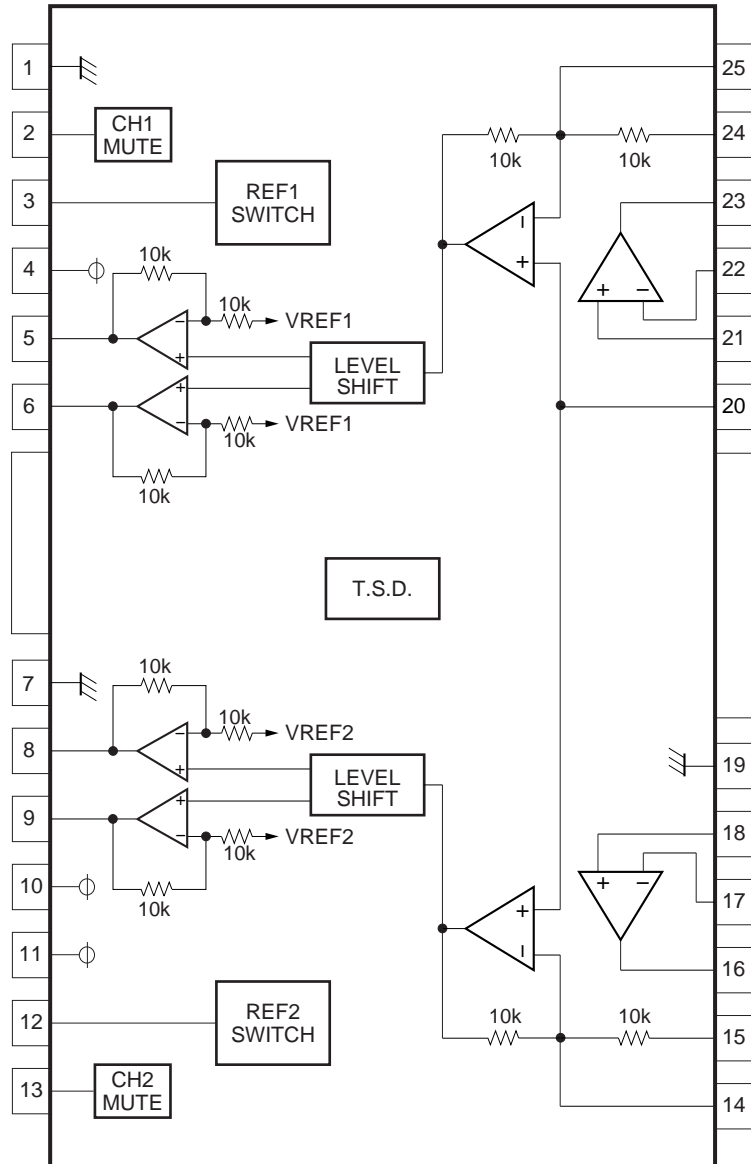
SW-355

IC BLOCK DIAGRAMS

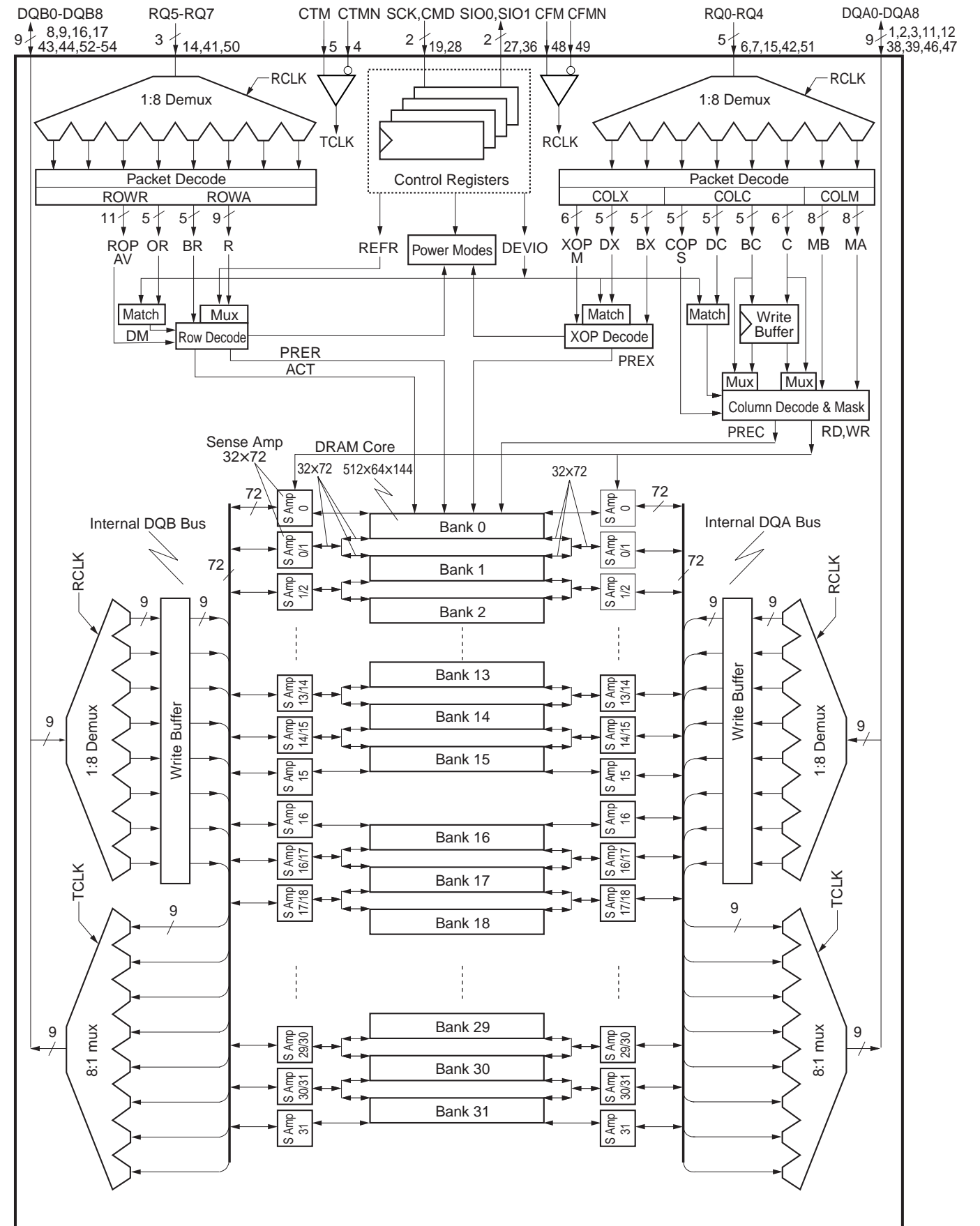
CY2212ZC (IC101) [for GH Board]



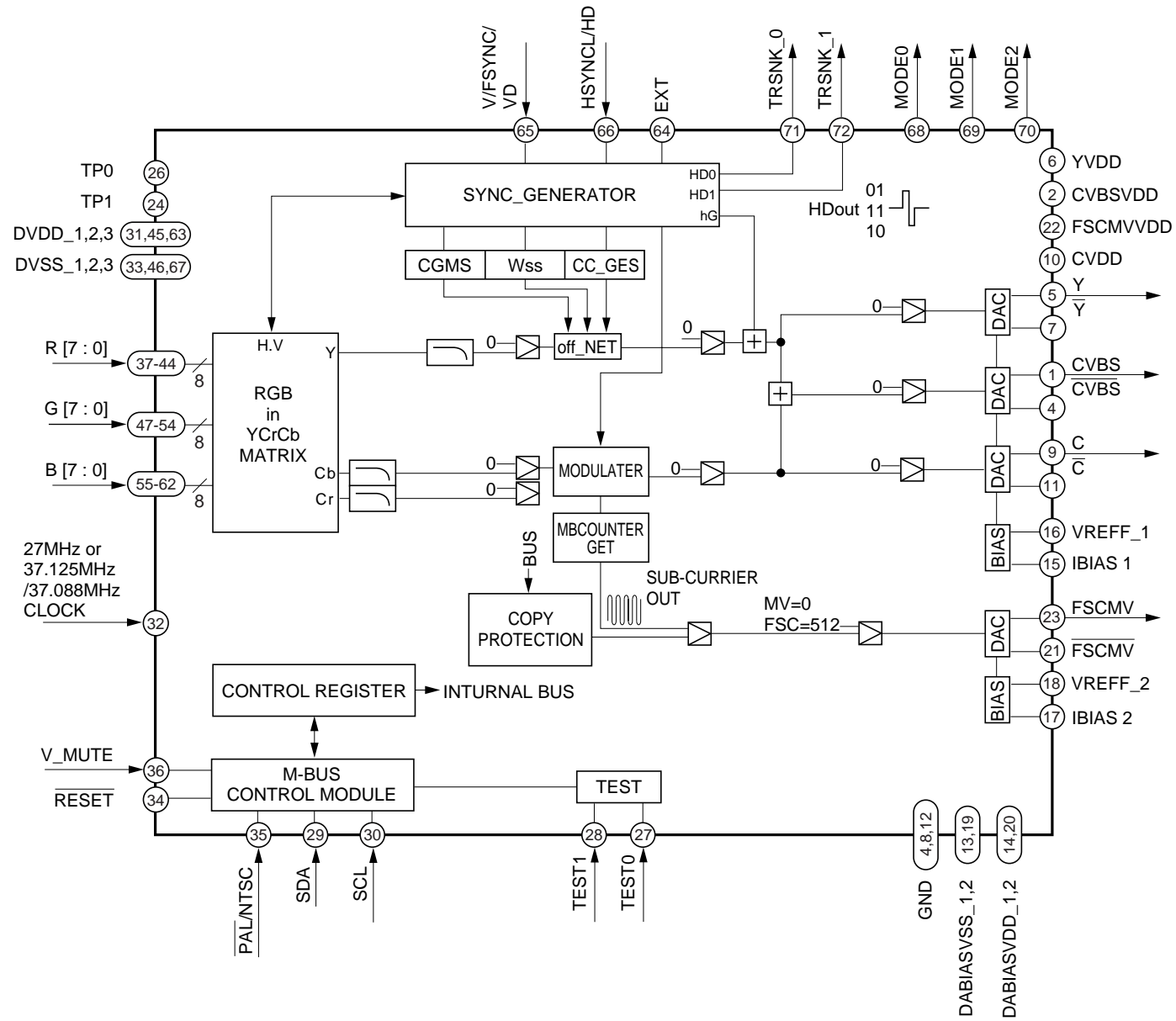
BA5912AFP-YE2 (IC102) [for GM Board]



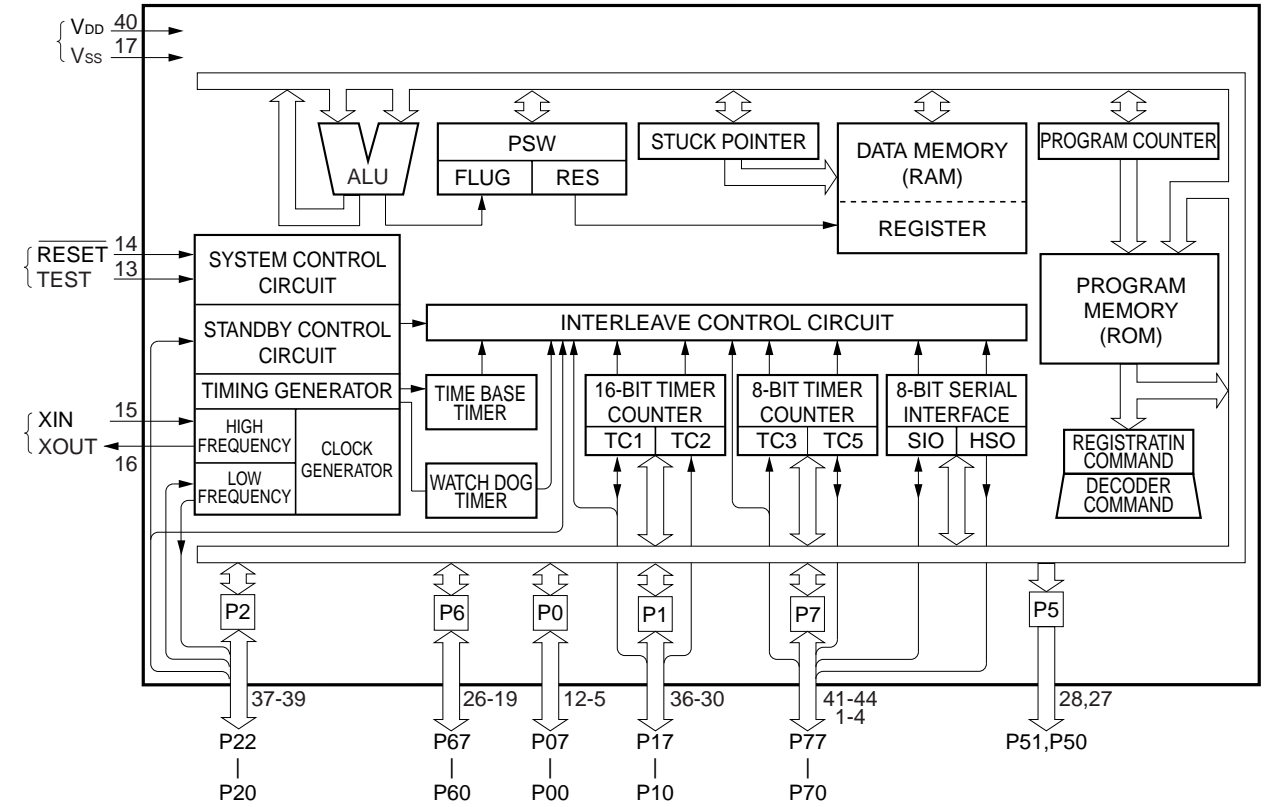
TC59RM716GB-8 (IC102, IC103) [for GH Board]



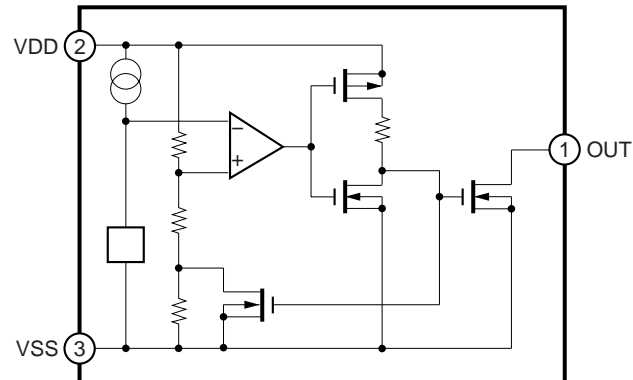
SC44728PBEB (IC205) [for GH Board]



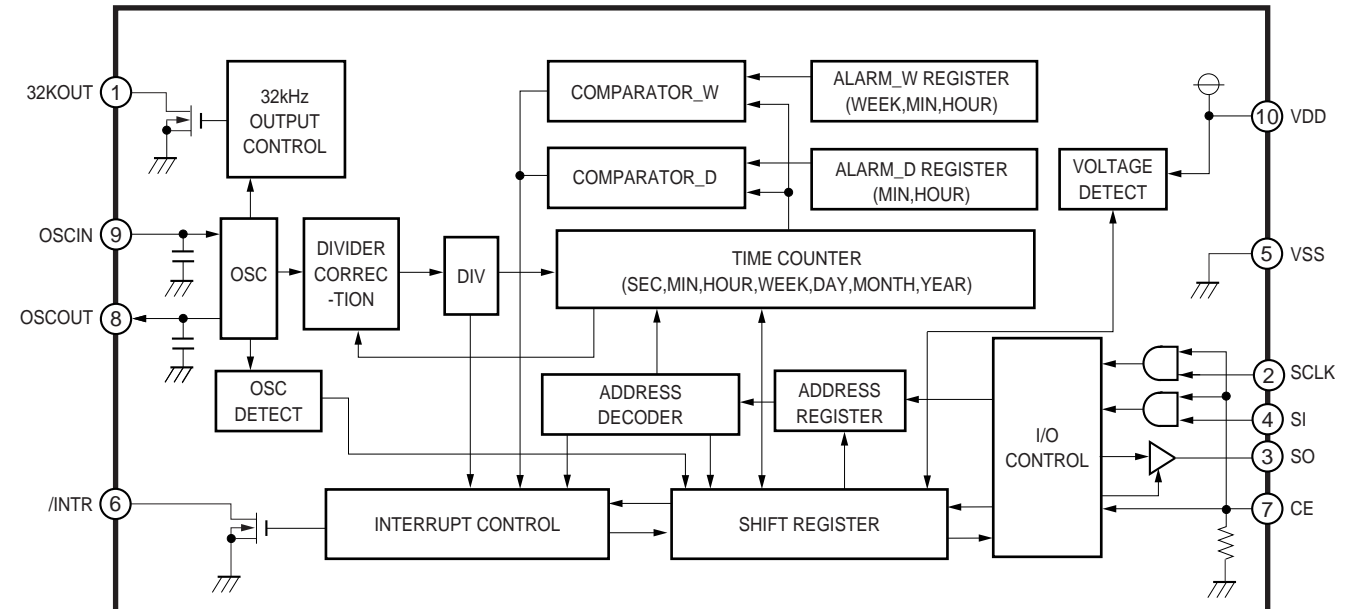
TMP87C807U (IC402) [for GD Board]



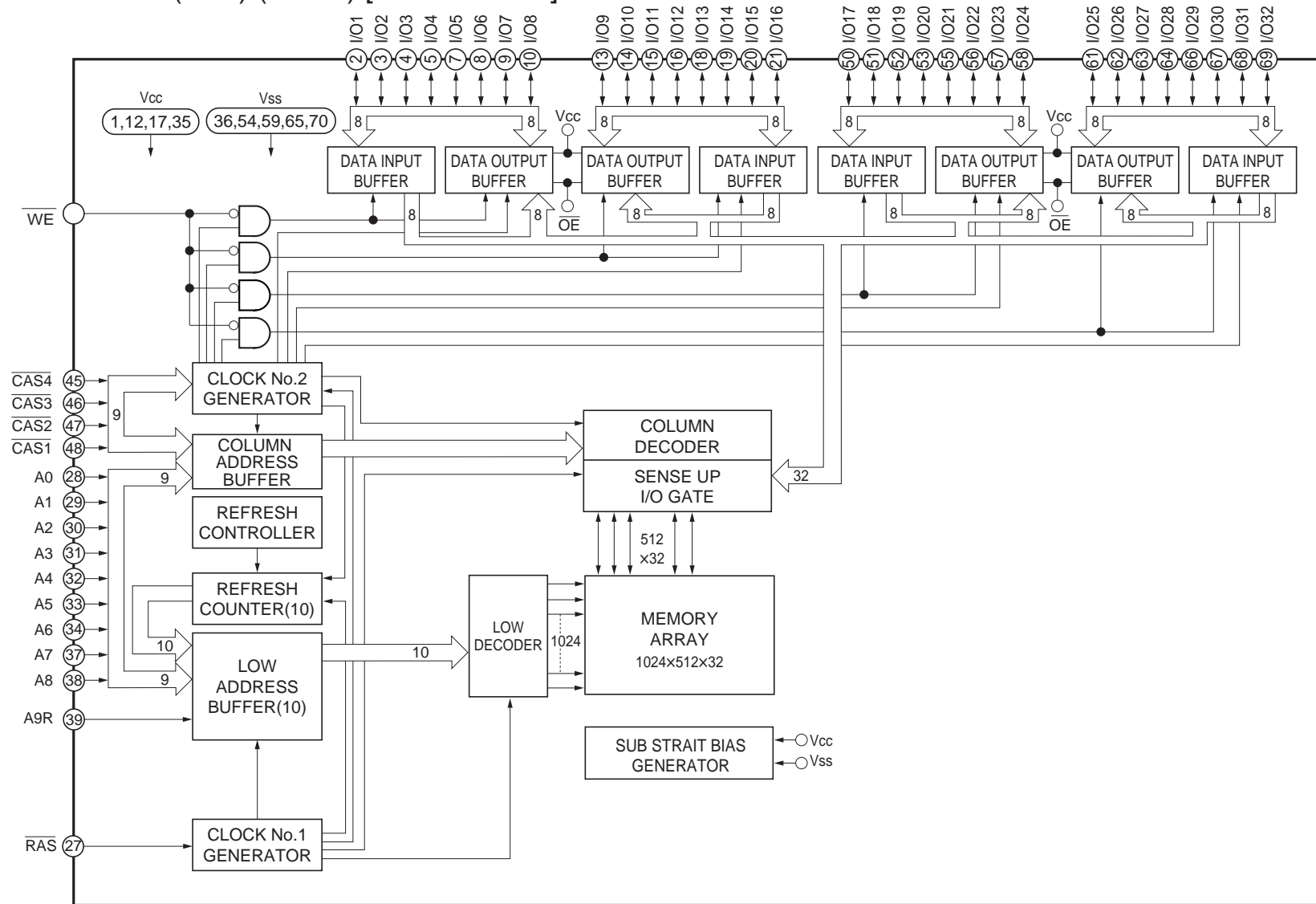
S-80769SN-JO (IC401) [for GD Board]



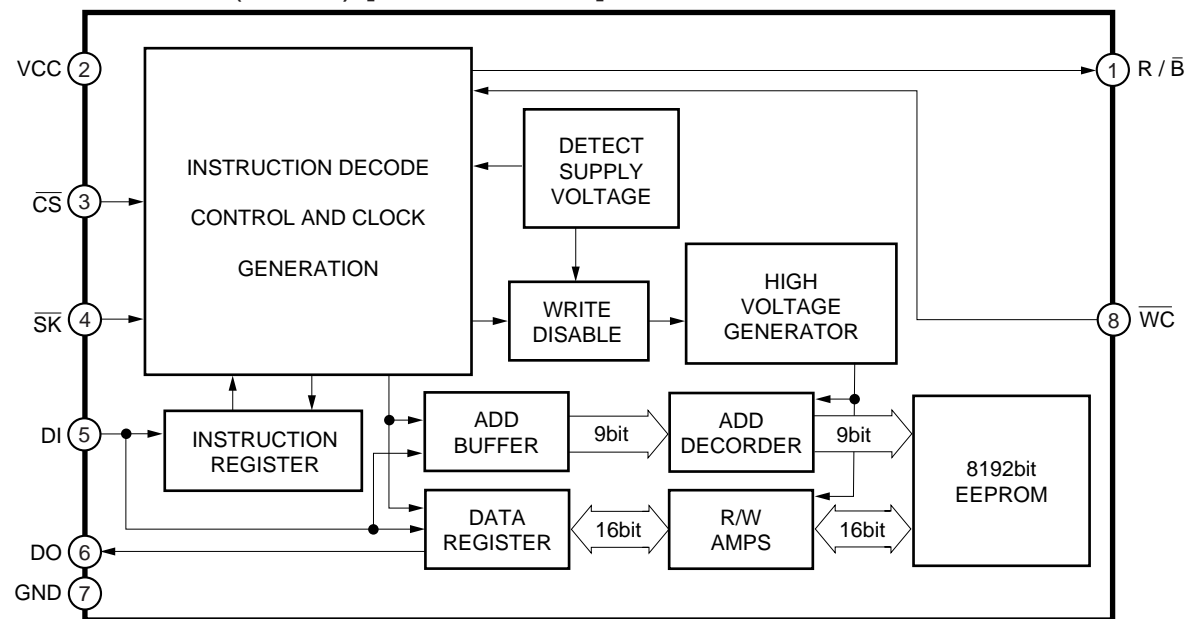
RS5C348A (IC405) [for GD Board]



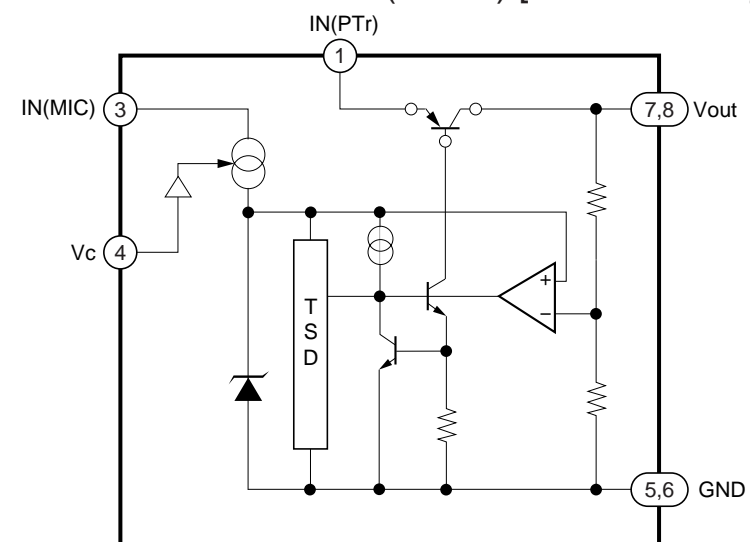
T7X16 (YEL) (IC305) [for GH Board]



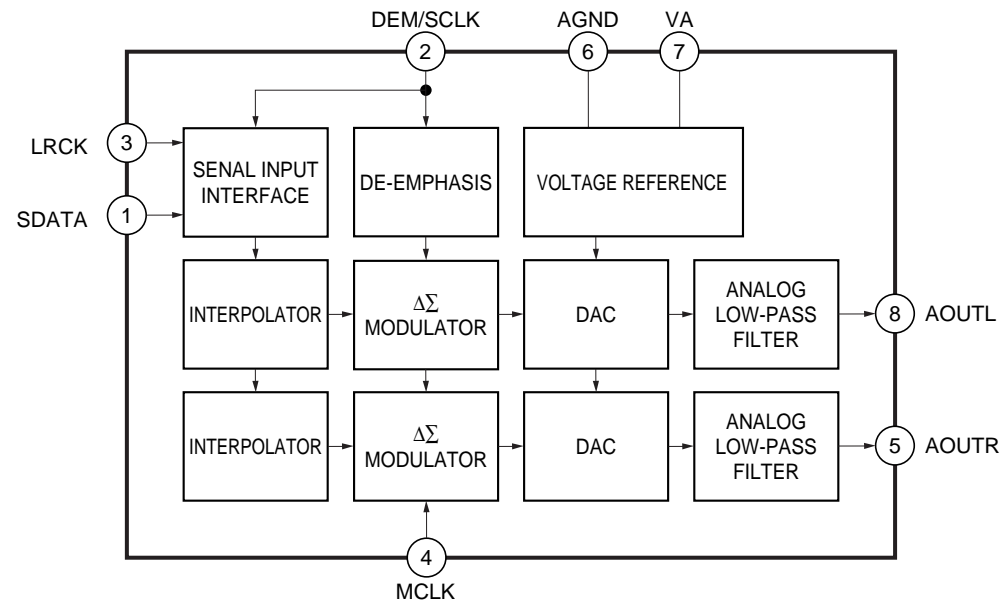
BR9080 (IC406) [for GD Board]



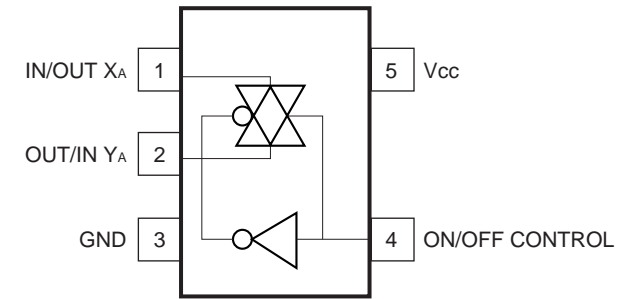
SI-3034LSA-TL (IC413) [for GD Board]



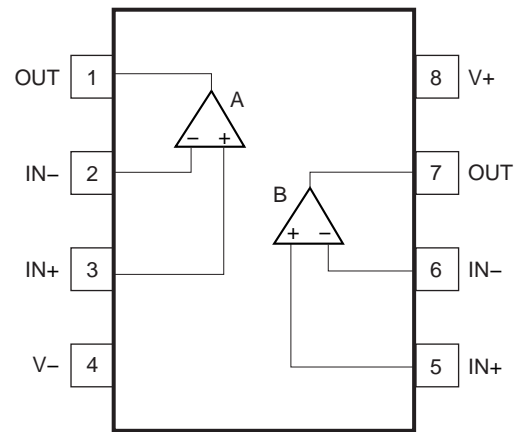
CS4334 (IC517) [for GH Board]



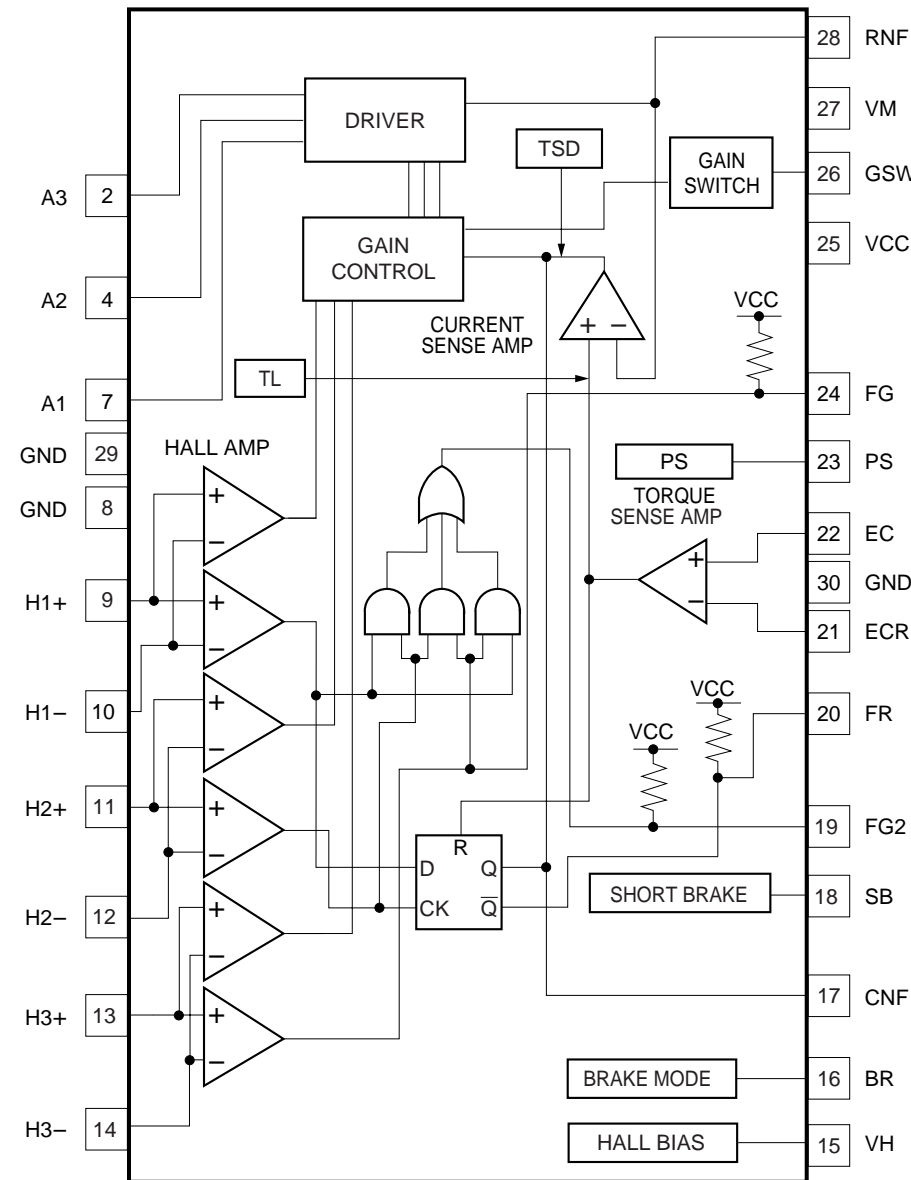
MC74VHC1G66DFT1 (IC606) [for GH Board]



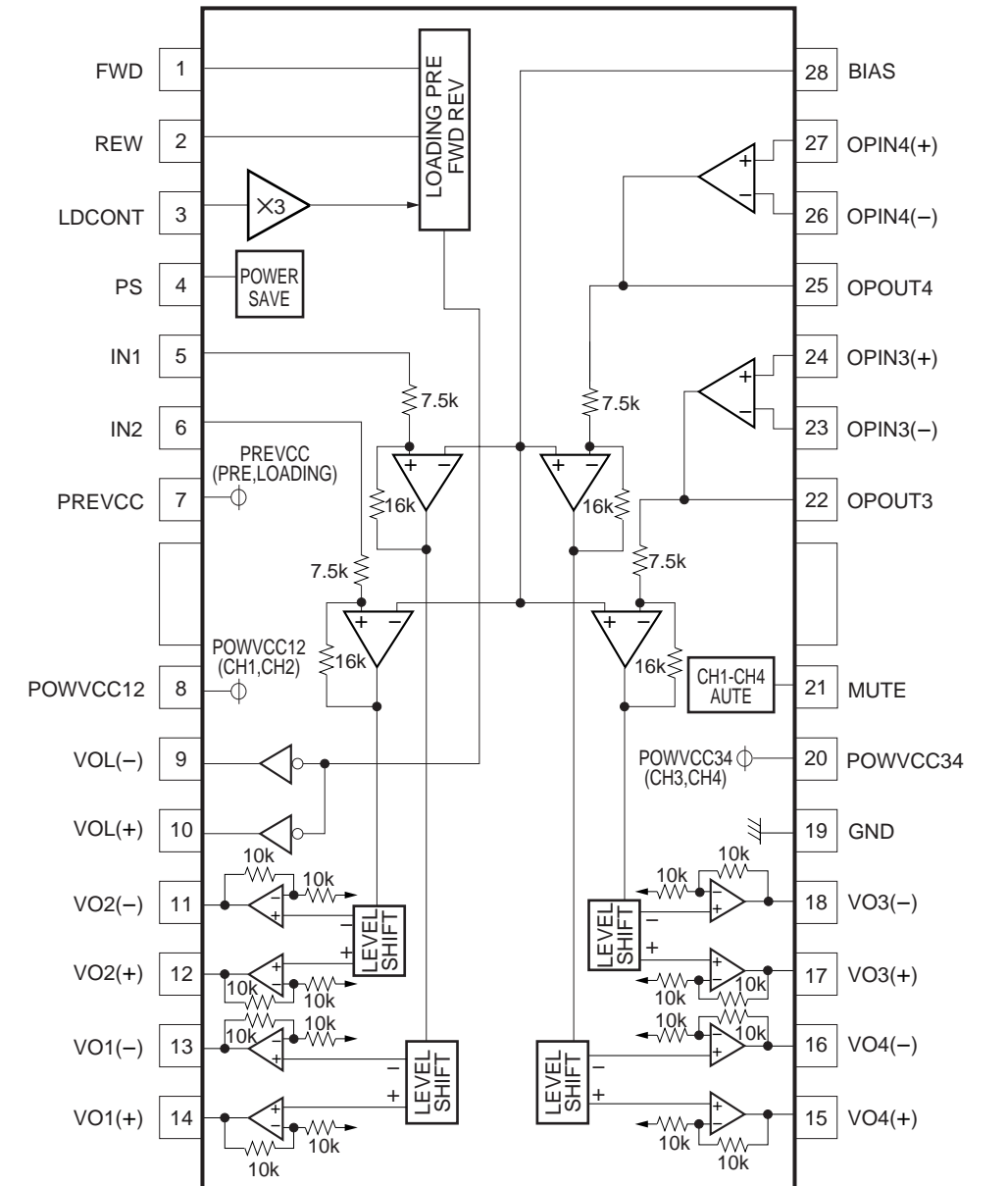
NJM2904V (IC602) [for GM Board]



BA6664FM (IC700) [for GM Board]



BA5810FP (IC703) [for GM Board]



SECTION 5 ELECTRICAL PARTS LIST

NOTE :

- Due to standardization, replacements in the parts list may be different from the parts specified in the diagrams or the components used on the set.
- -XX and -X mean standardized parts, so they may have some difference from the original one.
- RESISTORS
METAL : Metal-film resistor.
F : nonflammable
Unit is Ω.

SEMICONDUCTORS

In each case, u : μ, for example :
uA . . : μA . . . uPA . . : μPA . .
uPB . . : μPB . . . uPC . . : μPC . . uPD . . : μPD . .

CAPACITORS

uF : μF
COILS
uH : μH

The components identified by mark Δ or dotted line with mark Δ are critical for safety. Replace only with part number specified.

When indicating parts by reference number, please include the board.

Ref.	Part No.	Description
A-6712-838-A		MOUNTED CIRCUIT BOARD,GH-006-11
A-6712-856-A		MOUNTED CIRCUIT BOARD,GH-006-21

PLACE CODE #25GH		
<CAPACITOR>		
C101	1-128-964-91	CAP, CHIP TANTALUM ELECT 100MF
C102	1-128-964-91	CAP, CHIP TANTALUM ELECT 100MF
C103	1-128-964-91	CAP, CHIP TANTALUM ELECT 100MF
C104	1-107-826-91	CAP, CHIP CERAMIC 100000PF B
C105	1-107-826-91	CAP, CHIP CERAMIC 100000PF B
C106	1-107-826-91	CAP, CHIP CERAMIC 100000PF B
C107	1-107-826-91	CAP, CHIP CERAMIC 100000PF B
C108	1-107-826-91	CAP, CHIP CERAMIC 100000PF B
C109	1-107-826-91	CAP, CHIP CERAMIC 100000PF B
C110	1-107-826-91	CAP, CHIP CERAMIC 100000PF B
C111	1-107-826-91	CAP, CHIP CERAMIC 100000PF B
C112	1-107-826-91	CAP, CHIP CERAMIC 100000PF B
C113	1-107-826-91	CAP, CHIP CERAMIC 100000PF B
C114	1-107-826-91	CAP, CHIP CERAMIC 100000PF B
C115	1-107-826-91	CAP, CHIP CERAMIC 100000PF B
C116	1-107-826-91	CAP, CHIP CERAMIC 100000PF B
C117	1-107-826-91	CAP, CHIP CERAMIC 100000PF B
C118	1-107-826-91	CAP, CHIP CERAMIC 100000PF B
C119	1-107-826-91	CAP, CHIP CERAMIC 100000PF B
C120	1-107-826-91	CAP, CHIP CERAMIC 100000PF B
C121	1-107-826-91	CAP, CHIP CERAMIC 100000PF B
C122	1-107-826-91	CAP, CHIP CERAMIC 100000PF B
C123	1-107-826-91	CAP, CHIP CERAMIC 100000PF B
C124	1-107-826-91	CAP, CHIP CERAMIC 100000PF B
C125	1-107-826-91	CAP, CHIP CERAMIC 100000PF B
C126	1-107-826-91	CAP, CHIP CERAMIC 100000PF B
C127	1-107-826-91	CAP, CHIP CERAMIC 100000PF B
C128	1-107-826-91	CAP, CHIP CERAMIC 100000PF B
C129	1-107-826-91	CAP, CHIP CERAMIC 100000PF B
C131	1-162-970-91	CAP, CERAMIC 10000PF B (1608)
C132	1-107-826-91	CAP, CHIP CERAMIC 100000PF B
C134	1-107-826-91	CAP, CHIP CERAMIC 100000PF B
C135	1-107-826-91	CAP, CHIP CERAMIC 100000PF B
C136	1-162-964-91	CAP,CHIP CERAMIC 1000PF B (1608)
C137	1-107-826-91	CAP, CHIP CERAMIC 100000PF B
C138	1-107-826-91	CAP, CHIP CERAMIC 100000PF B
C139	1-107-826-91	CAP, CHIP CERAMIC 100000PF B
C140	1-107-826-91	CAP, CHIP CERAMIC 100000PF B
C141	1-135-609-91	CAP, CHIP TANTALUM ELECT 220MF
C142	1-107-826-91	CAP, CHIP CERAMIC 100000PF B
C143	1-107-826-91	CAP, CHIP CERAMIC 100000PF B
C144	1-107-826-91	CAP, CHIP CERAMIC 100000PF B
C145	1-107-826-91	CAP, CHIP CERAMIC 100000PF B
C146	1-162-964-91	CAP,CHIP CERAMIC 1000PF B (1608)
C147	1-162-964-91	CAP,CHIP CERAMIC 1000PF B (1608)

Ref.	Part No.	Description
C148	1-107-826-91	CAP, CHIP CERAMIC 100000PF B
C149	1-107-826-91	CAP, CHIP CERAMIC 100000PF B
C150	1-162-970-91	CAP, CERAMIC 10000PF B (1608)
C151	1-164-160-91	CAP,CERAMIC 20PF CH (1608)
C152	1-164-160-91	CAP,CERAMIC 20PF CH (1608)
C153	1-162-970-91	CAP, CERAMIC 10000PF B (1608)
C154	1-162-970-91	CAP, CERAMIC 10000PF B (1608)
C155	1-107-826-91	CAP, CHIP CERAMIC 100000PF B
C156	1-107-826-91	CAP, CHIP CERAMIC 100000PF B
C157	1-107-826-91	CAP, CHIP CERAMIC 100000PF B
C158	1-162-970-91	CAP, CERAMIC 10000PF B (1608)
C159	1-107-826-91	CAP, CHIP CERAMIC 100000PF B
C160	1-162-925-91	CAP, CERAMIC 68PF CH (1608)
C161	1-128-964-91	CAP, CHIP TANTALUM ELECT 100MF
C162	1-162-925-91	CAP, CERAMIC 68PF CH (1608)
C163	1-128-964-91	CAP, CHIP TANTALUM ELECT 100MF
C164	1-128-964-91	CAP, CHIP TANTALUM ELECT 100MF
C168	1-162-964-91	CAP,CHIP CERAMIC 1000PF B (1608)
C169	1-162-927-91	CAP, CERAMIC 100PF CH (1608)
C170	1-125-837-91	CAP, CHIP CERAMIC 1MF B (1608)
C175	1-107-826-91	CAP, CHIP CERAMIC 100000PF B
C176	1-107-826-91	CAP, CHIP CERAMIC 100000PF B
C212	1-125-837-91	CAP, CHIP CERAMIC 1MF B (1608)
C213	1-125-837-91	CAP, CHIP CERAMIC 1MF B (1608)
C214	1-125-837-91	CAP, CHIP CERAMIC 1MF B (1608)
C215	1-125-837-91	CAP, CHIP CERAMIC 1MF B (1608)
C216	1-125-837-91	CAP, CHIP CERAMIC 1MF B (1608)
C217	1-125-837-91	CAP, CHIP CERAMIC 1MF B (1608)
C218	1-125-837-91	CAP, CHIP CERAMIC 1MF B (1608)
C219	1-125-837-91	CAP, CHIP CERAMIC 1MF B (1608)
C220	1-125-837-91	CAP, CHIP CERAMIC 1MF B (1608)
C221	1-125-837-91	CAP, CHIP CERAMIC 1MF B (1608)
C222	1-125-837-91	CAP, CHIP CERAMIC 1MF B (1608)
C223	1-125-837-91	CAP, CHIP CERAMIC 1MF B (1608)
C224	1-125-837-91	CAP, CHIP CERAMIC 1MF B (1608)
C225	1-125-837-91	CAP, CHIP CERAMIC 1MF B (1608)
C226	1-125-837-91	CAP, CHIP CERAMIC 1MF B (1608)
C227	1-125-837-91	CAP, CHIP CERAMIC 1MF B (1608)
C228	1-125-837-91	CAP, CHIP CERAMIC 1MF B (1608)
C229	1-125-837-91	CAP, CHIP CERAMIC 1MF B (1608)
C230	1-125-837-91	CAP, CHIP CERAMIC 1MF B (1608)
C231	1-125-837-91	CAP, CHIP CERAMIC 1MF B (1608)
C232	1-125-837-91	CAP, CHIP CERAMIC 1MF B (1608)
C233	1-125-837-91	CAP, CHIP CERAMIC 1MF B (1608)
C234	1-125-837-91	CAP, CHIP CERAMIC 1MF B (1608)
C235	1-125-837-91	CAP, CHIP CERAMIC 1MF B (1608)
C236	1-125-837-91	CAP, CHIP CERAMIC 1MF B (1608)
C237	1-125-837-91	CAP, CHIP CERAMIC 1MF B (1608)
C238	1-125-837-91	CAP, CHIP CERAMIC 1MF B (1608)
C239	1-125-837-91	CAP, CHIP CERAMIC 1MF B (1608)
C240	1-125-837-91	CAP, CHIP CERAMIC 1MF B (1608)

Ref.	Part No.	Description
C241	1-125-837-91	CAP, CHIP CERAMIC 1MF B (1608)
C242	1-128-707-22	CAP, TANTALUM ELECT (SMD)220
C243	1-135-609-91	CAP, CHIP TANTALUM ELECT 220MF
C244	1-128-707-22	CAP, TANTALUM ELECT (SMD)220
C245	1-128-707-22	CAP, TANTALUM ELECT (SMD)220
C247	1-107-826-91	CAP, CHIP CERAMIC 100000PF B
C248	1-107-826-91	CAP, CHIP CERAMIC 100000PF B
C249	1-115-156-91	CAP, CERAMIC 1000000PF F (1608)
C250	1-127-760-91	CAP, CERAMIC 4.7MF (2012)
C252	1-107-826-91	CAP, CHIP CERAMIC 100000PF B
C254	1-107-826-91	CAP, CHIP CERAMIC 100000PF B
C255	1-107-826-91	CAP, CHIP CERAMIC 100000PF B
C256	1-107-826-91	CAP, CHIP CERAMIC 100000PF B
C257	1-125-837-91	CAP, CHIP CERAMIC 1MF B (1608)
C261	1-128-004-21	CAP, ELECT (CHIP) 10MF
C262	1-128-004-21	CAP, ELECT (CHIP) 10MF
C263	1-128-004-21	CAP, ELECT (CHIP) 10MF
C265	1-117-720-91	CAP, CERAMIC 4.7MF F (2012)
C266	1-128-004-21	CAP, ELECT (CHIP) 10MF
C267	1-126-210-21	CAP, ELECT 220MF
C268	1-126-210-21	CAP, ELECT 220MF
C269	1-164-160-91	CAP,CERAMIC 20PF CH (1608)
C270	1-125-777-81	CAP, CHIP CERAMIC 0.1MF B (1005)
C271	1-125-777-81	CAP, CHIP CERAMIC 0.1MF B (1005)
C272	1-125-777-81	CAP, CHIP CERAMIC 0.1MF B (1005)
C275	1-125-777-81	CAP, CHIP CERAMIC 0.1MF B (1005)
C276	1-164-874-81	CAP,CHIP CERAMIC 100PF CH (1005)
C277	1-164-874-81	CAP,CHIP CERAMIC 100PF CH (1005)
C278	1-113-619-91	CAP, CERAMIC 470000PF F (1608)
C279	1-113-619-91	CAP, CERAMIC 470000PF F (1608)
C281	1-115-156-91	CAP, CERAMIC 1000000PF F (1608)
C282	1-113-619-91	CAP, CERAMIC 470000PF F (1608)
C283	1-107-826-91	CAP, CHIP CERAMIC 100000PF B
C285	1-113-619-91	CAP, CERAMIC 470000PF F (1608)
C286	1-113-619-91	CAP, CERAMIC 470000PF F (1608)
C287	1-107-826-91	CAP, CHIP CERAMIC 100000PF B
C288	1-125-837-91	CAP, CHIP CERAMIC 1MF B (1608)
C289	1-164-937-81	CAP, CHIP CERAMIC 1000PF B (1005)
C290	1-113-619-91	CAP, CERAMIC 470000PF F (1608)
C291	1-162-921-91	CAP, CERAMIC 33PF CH (1608)
C292	1-107-725-91	CAP, CERAMIC 100000PF B (2012)
C293	1-137-765-21	CAP, ELECT 47MF
C294	1-107-826-91	CAP, CHIP CERAMIC 100000PF B
C295	1-107-826-91	CAP, CHIP CERAMIC 100000PF B
C296	1-126-210-21	CAP, ELECT 220MF
C297	1-126-210-21	CAP, ELECT 220MF
C298	1-126-210-21	CAP, ELECT 220MF
C302	1-125-777-81	CAP, CHIP CERAMIC 0.1MF B (1005)
C303	1-125-777-81	CAP, CHIP CERAMIC 0.1MF B (1005)
C304	1-164-937-81	CAP, CHIP CERAMIC 1000PF B (1005)
C306	1-164-387-91	CAP, CERAMIC 240PF CH (1608)
C307	1-107-826-91	CAP, CHIP CERAMIC 100000PF B
C308	1-165-112-91	CAP, CERAMIC 330000PF F (1608)
C309	1-162-970-91	CAP, CERAMIC 10000PF B (1608)
C310	1-162-970-91	CAP, CERAMIC 10000PF B (1608)
C311	1-162-916-91	CAP, CERAMIC 12PF CH (1608)
C312	1-162-917-91	CAP, CERAMIC 15PF CH (1608)
C313	1-162-910-91	CAP, CERAMIC 5.0PF CH (1608)
C314	1-162-910-91	CAP, CERAMIC 5.0PF CH (1608)
C315	1-125-777-81	CAP, CHIP CERAMIC 0.1MF B (1005)
C316	1-165-112-91	CAP, CERAMIC 330000PF F (1608)
C317	1-162-970-91	CAP, CERAMIC 10000PF B (1608)
C318	1-162-970-91	CAP, CERAMIC 10000PF B (1608)
C319	1-162-970-91	CAP, CERAMIC 10000PF B (1608)
C320	1-162-970-91	CAP, CERAMIC 10000PF B (1608)
C321	1-162-970-91	CAP, CERAMIC 10000PF B (1608)

Ref.	Part No.	Description
C322	1-162-970-91	CAP, CERAMIC 10000PF B (1608)
C323	1-162-970-91	CAP, CERAMIC 10000PF B (1608)
C325	1-162-970-91	CAP, CERAMIC 10000PF B (1608)
C326	1-162-970-91	CAP, CERAMIC 10000PF B (1608)
C328	1-162-970-91	CAP, CERAMIC 10000PF B (1608)
C329	1-162-970-91	CAP, CERAMIC 10000PF B (1608)
C330	1-162-970-91	CAP, CERAMIC 10000PF B (1608)
C331	1-162-970-91	CAP, CERAMIC 10000PF B (1608)
C332	1-162-970-91	CAP, CERAMIC 10000PF B (1608)
C333	1-162-970-91	CAP, CERAMIC 10000PF B (1608)
C334	1-162-970-91	CAP, CERAMIC 10000PF B (1608)
C335	1-162-970-91	CAP, CERAMIC 10000PF B (1608)
C336	1-162-970-91	CAP, CERAMIC 10000PF B (1608)
C337	1-162-970-91	CAP, CERAMIC 10000PF B (1608)
C338	1-107-826-91	CAP, CHIP CERAMIC 100000PF B
C339	1-125-764-41	CAP, CHIP CERAMIC 100PF CH
C340	1-125-764-41	CAP, CHIP CERAMIC 100PF CH
C341	1-125-764-41	CAP, CHIP CERAMIC 100PF CH
C355	1-107-826-91	CAP, CHIP CERAMIC 100000PF B
C356	1-107-826-91	CAP, CHIP CERAMIC 100000PF B
C363	1-107-826-91	CAP, CHIP CERAMIC 100000PF B
C364	1-107-826-91	CAP, CHIP CERAMIC 100000PF B
C365	1-107-826-91	CAP, CHIP CERAMIC 100000PF B
C366	1-107-826-91	CAP, CHIP CERAMIC 100000PF B
C367	1-107-826-91	CAP, CHIP CERAMIC 100000PF B
C368	1-125-777-81	CAP, CHIP CERAMIC 0.1MF B (1005)
C369	1-125-777-81	CAP, CHIP CERAMIC 0.1MF B (1005)
C370	1-162-964-91	CAP,CHIP CERAMIC 1000PF B (1608)
C371	1-162-964-91	CAP,CHIP CERAMIC 1000PF B (1608)
C372	1-128-995-21	CAP, ELECT 100MF
C373	1-128-995-21	CAP, ELECT 100MF
C401	1-162-964-91	CAP,CHIP CERAMIC 1000PF B (1608)
C409	1-162-969-91	CAP, CERAMIC 6800PF B (1608)
C410	1-162-969-91	CAP, CERAMIC 6800PF B (1608)
C414	1-162-965-91	CAP, CERAMIC 1500PF B (1608)
C415	1-162-965-91	CAP, CERAMIC 1500PF B (1608)
C416	1-107-826-91	CAP, CHIP CERAMIC 100000PF B
C417	1-164-379-91	CAP, CERAMIC 43PF CH (1608)
C418	1-107-826-91	CAP, CHIP CERAMIC 100000PF B
C419	1-162-970-91	CAP, CERAMIC 10000PF B (1608)
C420	1-107-826-91	CAP,

Ref.	Part No.	Description
C490	1-126-209-21	CAP, ELECT 100MF
C491	1-117-681-21	CAP, ELECT 100MF
C492	1-107-826-91	CAP, CHIP CERAMIC 100000PF B
C494	1-125-777-81	CAP, CHIP CERAMIC 0.1MF B (1005)
C495	1-107-826-91	CAP, CHIP CERAMIC 100000PF B
C496	1-125-837-91	CAP, CHIP CERAMIC 1MF B (1608)
C500	1-117-720-91	CAP, CERAMIC 4.7MF F (2012)
C501	1-117-720-91	CAP, CERAMIC 4.7MF F (2012)
C503	1-107-725-91	CAP, CERAMIC 100000PF B (2012)
C504	1-117-720-91	CAP, CERAMIC 4.7MF F (2012)
C505	1-113-619-91	CAP, CERAMIC 470000PF F (1608)for GH006-21
C506	1-107-826-91	CAP, CHIP CERAMIC 100000PF B
C508	1-113-619-91	CAP, CERAMIC 470000PF F (1608)
C509	1-113-619-91	CAP, CERAMIC 470000PF F (1608)
C510	1-113-619-91	CAP, CERAMIC 470000PF F (1608)
C511	1-162-964-91	CAP,CHIP CERAMIC 1000PF B (1608)
C512	1-113-619-91	CAP, CERAMIC 470000PF F (1608)for GH006-21
C513	1-113-619-91	CAP, CERAMIC 470000PF F (1608)
C514	1-113-619-91	CAP, CERAMIC 470000PF F (1608)
C516	1-113-619-91	CAP, CERAMIC 470000PF F (1608)
C517	1-113-619-91	CAP, CERAMIC 470000PF F (1608)
C518	1-113-619-91	CAP, CERAMIC 470000PF F (1608)
C520	1-164-874-81	CAP,CHIP CERAMIC 100PF CH (1005)
C521	1-125-837-91	CAP, CHIP CERAMIC 1MF B (1608)
C522	1-164-156-91	CAP, CHIP CERAMIC 0.1MF F (1608)
C523	1-107-726-91	CAP,CHIP CERAMIC 10000PF B (1608)
C524	1-113-619-91	CAP, CERAMIC 470000PF F (1608)
C525	1-113-619-91	CAP, CERAMIC 470000PF F (1608)
C526	1-164-156-91	CAP,CHIP CERAMIC 0.1MF F (1608)for GH006-21
C527	1-162-964-91	CAP,CHIP CERAMIC 1000PF B (1608)
C528	1-125-837-91	CAP, CHIP CERAMIC 1MF B (1608)
C529	1-128-008-21	CAP, ELECT (CHIP) 3.3MF
C530	1-128-008-21	CAP, ELECT (CHIP) 3.3MF
C532	1-164-874-81	CAP,CHIP CERAMIC 100PF CH (1005)
C533	1-113-619-91	CAP, CERAMIC 470000PF F (1608)
C534	1-113-619-91	CAP, CERAMIC 470000PF F (1608)
C535	1-113-619-91	CAP, CERAMIC 470000PF F (1608)
C536	1-113-619-91	CAP, CERAMIC 470000PF F (1608)
C537	1-113-619-91	CAP, CERAMIC 470000PF F (1608)
C538	1-113-619-91	CAP, CERAMIC 470000PF F (1608)
C539	1-113-619-91	CAP, CERAMIC 470000PF F (1608)
C540	1-113-619-91	CAP, CERAMIC 470000PF F (1608)
C541	1-113-619-91	CAP, CERAMIC 470000PF F (1608)
C542	1-164-874-81	CAP,CHIP CERAMIC 100PF CH (1005)
C543	1-113-619-91	CAP, CERAMIC 470000PF F (1608)for GH006-11
C601	1-164-156-91	CAP, CHIP CERAMIC 0.1MF F (1608)
C603	1-164-937-81	CAP, CHIP CERAMIC 1000PF B (1005)
C605	1-164-937-81	CAP, CHIP CERAMIC 1000PF B (1005)
C606	1-162-964-91	CAP,CHIP CERAMIC 1000PF B (1608)
C607	1-162-968-91	CAP,CHIP CERAMIC 4700PF B (1608)
C609	1-107-826-91	CAP, CHIP CERAMIC 100000PF B
C623	1-164-156-91	CAP, CHIP CERAMIC 0.1MF F (1608)
C624	1-107-826-91	CAP, CHIP CERAMIC 100000PF B
C625	1-164-156-91	CAP, CHIP CERAMIC 0.1MF F (1608)
C627	1-162-966-91	CAP, CERAMIC 2200PF B (1608)
C628	1-162-966-91	CAP, CERAMIC 2200PF B (1608)
C629	1-164-156-91	CAP, CHIP CERAMIC 0.1MF F (1608)
C630	1-164-173-91	CAP,CERAMIC 3900PF B (1608)
C631	1-162-968-91	CAP,CHIP CERAMIC 4700PF B (1608)
C632	1-107-826-91	CAP, CHIP CERAMIC 100000PF B
C633	1-164-156-91	CAP, CHIP CERAMIC 0.1MF F (1608)
C634	1-164-156-91	CAP, CHIP CERAMIC 0.1MF F (1608)
C635	1-162-968-91	CAP,CHIP CERAMIC 4700PF B (1608)
C636	1-125-777-81	CAP, CHIP CERAMIC 0.1MF B (1005)
C637	1-164-937-81	CAP, CHIP CERAMIC 1000PF B (1005)
C638	1-164-943-81	CAP,CHIP CERAMIC 10000PF B (1005)

Ref.	Part No.	Description
C639	1-164-217-91	CAP,CERAMIC 150PF CH (1608)
C640	1-135-259-91	CAP, CHIP TANTALUM ELECT 10MF
C642	1-164-156-91	CAP, CHIP CERAMIC 0.1MF F (1608)
C643	1-125-777-81	CAP, CHIP CERAMIC 0.1MF B (1005)
C644	1-164-882-81	CAP,CHIP CERAMIC 220PF CH (1005)
C645	1-165-176-91	CAP,CERAMIC 47000PF B (1608)
C646	1-164-937-81	CAP, CHIP CERAMIC 1000PF B (1005)
C647	1-117-863-91	CAP, CHIP CERAMIC0.47MF B (1608)
C648	1-107-820-81	CAP, CHIP CERAMIC 100000PF F
C649	1-164-943-81	CAP,CHIP CERAMIC 10000PF B (1005)
C650	1-164-882-81	CAP,CHIP CERAMIC 220PF CH (1005)
C651	1-164-939-81	CAP, CHIP CERAMIC 2200PF B (1005)
C652	1-125-777-81	CAP, CHIP CERAMIC 0.1MF B (1005)
C653	1-164-939-81	CAP, CHIP CERAMIC 2200PF B (1005)
C654	1-164-156-91	CAP, CHIP CERAMIC 0.1MF F (1608)
C655	1-135-259-91	CAP, CHIP TANTALUM ELECT 10MF
C656	1-107-820-81	CAP, CHIP CERAMIC 100000PF F
C657	1-164-230-91	CAP,CERAMIC 220PF CH (1608)
C658	1-164-882-81	CAP,CHIP CERAMIC 220PF CH (1005)
C660	1-125-777-81	CAP, CHIP CERAMIC 0.1MF B (1005)
C661	1-107-820-81	CAP, CHIP CERAMIC 100000PF F
C662	1-164-156-91	CAP, CHIP CERAMIC 0.1MF F (1608)
C663	1-164-156-91	CAP, CHIP CERAMIC 0.1MF F (1608)
C664	1-135-259-91	CAP, CHIP TANTALUM ELECT 10MF
C665	1-107-820-81	CAP, CHIP CERAMIC 100000PF F
C666	1-107-820-81	CAP, CHIP CERAMIC 100000PF F
C667	1-107-820-81	CAP, CHIP CERAMIC 100000PF F
C668	1-107-826-91	CAP, CHIP CERAMIC 100000PF B
C671	1-164-156-91	CAP, CHIP CERAMIC 0.1MF F (1608)
C672	1-164-156-91	CAP, CHIP CERAMIC 0.1MF F (1608)
C673	1-164-156-91	CAP, CHIP CERAMIC 0.1MF F (1608)
C674	1-164-156-91	CAP, CHIP CERAMIC 0.1MF F (1608)
C675	1-107-820-81	CAP, CHIP CERAMIC 100000PF F
C676	1-107-820-81	CAP, CHIP CERAMIC 100000PF F
C680	1-162-964-91	CAP,CHIP CERAMIC 1000PF B (1608)
C685	1-117-863-91	CAP, CHIP CERAMIC0.47MF B (1608)
C688	1-162-964-91	CAP,CHIP CERAMIC 1000PF B (1608)
C689	1-162-968-91	CAP,CHIP CERAMIC 4700PF B (1608)
C901	1-107-826-91	CAP, CHIP CERAMIC 100000PF B
C902	1-107-826-91	CAP, CHIP CERAMIC 100000PF B
C903	1-107-826-91	CAP, CHIP CERAMIC 100000PF B
C904	1-107-826-91	CAP, CHIP CERAMIC 100000PF B
C905	1-107-826-91	CAP, CHIP CERAMIC 100000PF B
C906	1-107-826-91	CAP, CHIP CERAMIC 100000PF B
C907	1-107-826-91	CAP, CHIP CERAMIC 100000PF B
C908	1-107-826-91	CAP, CHIP CERAMIC 100000PF B
C909	1-107-826-91	CAP, CHIP CERAMIC 100000PF B
C910	1-107-826-91	CAP, CHIP CERAMIC 100000PF B
C911	1-107-826-91	CAP, CHIP CERAMIC 100000PF B
C912	1-107-826-91	CAP, CHIP CERAMIC 100000PF B
C913	1-107-826-91	CAP, CHIP CERAMIC 100000PF B
C914	1-107-826-91	CAP, CHIP CERAMIC 100000PF B
C915	1-107-826-91	CAP, CHIP CERAMIC 100000PF B
C916	1-107-826-91	CAP, CHIP CERAMIC 100000PF B
C917	1-107-826-91	CAP, CHIP CERAMIC 100000PF B
C918	1-107-826-91	CAP, CHIP CERAMIC 100000PF B
C919	1-107-826-91	CAP, CHIP CERAMIC 100000PF B
C920	1-107-826-91	CAP, CHIP CERAMIC 100000PF B
C921	1-107-826-91	CAP, CHIP CERAMIC 100000PF B
C922	1-107-826-91	CAP, CHIP CERAMIC 100000PF B
C923	1-107-826-91	CAP, CHIP CERAMIC 100000PF B
C924	1-107-826-91	CAP, CHIP CERAMIC 100000PF B
C925	1-107-826-91	CAP, CHIP CERAMIC 100000PF B
C926	1-107-826-91	CAP, CHIP CERAMIC 100000PF B
C927	1-107-826-91	CAP, CHIP CERAMIC 100000PF B
C928	1-107-826-91	CAP, CHIP CERAMIC 100000PF B

Ref.	Part No.	Description
C929	1-107-826-91	CAP, CHIP CERAMIC 100000PF B
C930	1-107-826-91	CAP, CHIP CERAMIC 100000PF B
C931	1-107-826-91	CAP, CHIP CERAMIC 100000PF B
C932	1-107-826-91	CAP, CHIP CERAMIC 100000PF B
C933	1-107-826-91	CAP, CHIP CERAMIC 100000PF B
C934	1-107-826-91	CAP, CHIP CERAMIC 100000PF B
C935	1-107-826-91	CAP, CHIP CERAMIC 100000PF B
C936	1-107-826-91	CAP, CHIP CERAMIC 100000PF B
C937	1-107-826-91	CAP, CHIP CERAMIC 100000PF B
C938	1-107-826-91	CAP, CHIP CERAMIC 100000PF B
C939	1-107-826-91	CAP, CHIP CERAMIC 100000PF B
C940	1-107-826-91	CAP, CHIP CERAMIC 100000PF B
C941	1-107-826-91	CAP, CHIP CERAMIC 100000PF B
C942	1-107-826-91	CAP, CHIP CERAMIC 100000PF B
C943	1-107-826-91	CAP, CHIP CERAMIC 100000PF B
C944	1-107-826-91	CAP, CHIP CERAMIC 100000PF B
C945	1-107-826-91	CAP, CHIP CERAMIC 100000PF B
C946	1-107-826-91	CAP, CHIP CERAMIC 100000PF B
C947	1-107-826-91	CAP, CHIP CERAMIC 100000PF B
C948	1-107-826-91	CAP, CHIP CERAMIC 100000PF B
C949	1-107-826-91	CAP, CHIP CERAMIC 100000PF B
C950	1-107-826-91	CAP, CHIP CERAMIC 100000PF B
C951	1-107-826-91	CAP, CHIP CERAMIC 100000PF B
C952	1-107-826-91	CAP, CHIP CERAMIC 100000PF B
C953	1-107-826-91	CAP, CHIP CERAMIC 100000PF B
C954	1-107-826-91	CAP, CHIP CERAMIC 100000PF B
C955	1-107-826-91	CAP, CHIP CERAMIC 100000PF B
C956	1-107-826-91	CAP, CHIP CERAMIC 100000PF B
C957	1-107-826-91	CAP, CHIP CERAMIC 100000PF B
C958	1-107-826-91	CAP, CHIP CERAMIC 100000PF B
C959	1-107-826-91	CAP, CHIP CERAMIC 100000PF B
C960	1-107-826-91	CAP, CHIP CERAMIC 100000PF B
C961	1-107-826-91	CAP, CHIP CERAMIC 100000PF B
C962	1-107-826-91	CAP, CHIP CERAMIC 100000PF B
C963	1-107-826-91	CAP, CHIP CERAMIC 100000PF B
C965	1-107-826-91	CAP, CHIP CERAMIC 100000PF B
C966	1-107-826-91	CAP, CHIP CERAMIC 100000PF B
C967	1-125-837-91	CAP, CHIP CERAMIC 1MF B (1608)
C968	1-125-837-91	CAP, CHIP CERAMIC 1MF B (1608)
C980	1-107-826-91	CAP, CHIP CERAMIC 100000PF B
C981	1-107-826-91	CAP, CHIP CERAMIC 100000PF B
C982	1-107-826-91	CAP, CHIP CERAMIC 100000PF B
C983	1-107-826-91	CAP, CHIP CERAMIC 100000PF B
C984	1-107-826-91	CAP, CHIP CERAMIC 100000PF B
C985	1-107-826-91	CAP, CHIP CERAMIC 100000PF B
C986	1-107-826-91	CAP, CHIP CERAMIC 100000PF B
C987	1-107-826-91	CAP, CHIP CERAMIC 100000PF B
C988	1-107-826-91	CAP, CHIP CERAMIC 100000PF B
C989	1-107-826-91	CAP, CHIP CERAMIC 100000PF B
C990	1-125-837-91	CAP, CHIP CERAMIC 1MF B (1608)
CN201	1-794-209-11	CONNECTOR, SQUARE TYPE 12P
CN301	1-794-208-11	CONNECTOR, SQUARE TYPE 4P
CN302	1-794-206-21	CONNECTOR, FFC/FPC (ZIF) 36P
CN303	1-794-207-11	CONNECTOR, USB 8P
CN403	1-770-619-21	PIN, CONNECTOR 2P
CN406	1-815-226-21	CONNECTOR, FFC/FPC (ZIF) 40P
CN407	1-815-301-11	PIN, CONNECTOR 4P
CN408	1-815-302-11	PIN, CONNECTOR (PLUG) 34P
CN501	1-418-965-11	TRANSMITTER UNIT, LIGHT
CN504	1-815-190-21	CONNECTOR BOARD TO BOARD 110P
CN604	1-793-823-21	CONNECTOR, FFC/FPC (ZIF) 54P

Ref.	Part No.	Description
		<NETWORK>
CP201	1-234-605-21	NETWORK, RC
		<DIODE>
D201	8-719-065-78	DIODE MAZF12000LS0
D202	8-719-064-61	DIODE 01BZA8.2(TE85L)
D203	8-719-064-61	DIODE 01BZA8.2(TE85L)
D204	8-719-064-61	DIODE 01BZA8.2(TE85L)
D205	8-719-064-61	DIODE 01BZA8.2(TE85L)
D206	8-719-064-61	DIODE 01BZA8.2(TE85L)
D208	8-719-064-61	DIODE 01BZA8.2(TE85L)
D209	8-719-064-61	DIODE 01BZA8.2(TE85L)
D210	8-719-064-61	DIODE 01BZA8.2(TE85L)
D301	8-719-071-87	DIODE MA785-(TX),SO
D302	8-719-071-87	DIODE MA785-(TX),SO
D402	8-719-074-34	DIODE RB495D-T146
D403	8-719-074-34	DIODE RB495D-T146
D405	8-719-078-04	DIODE EC31QS03L-TE12L
D500	8-719-941-21	DIODE DAP202UT106
D501	8-719-082-76	DIODE CL-200TLY-C-TV
		<FUSE>
△ F001	1-576-434-21	FUSE, CHIP
△ F002	1-576-434-21	FUSE, CHIP
		<FERRITE BEAD>
FB102	1-469-667-21	FERRITE, EMI (SMD)
FB103	1-469-667-21	FERRITE, EMI (SMD)
FB201	1-414-813-21	FERRITE, EMI (SMD)
FB202	1-500-113-22	BEAD, FERRITE (CHIP)
FB203	1-500-113-22	BEAD, FERRITE (CHIP)
FB204	1-500-113-22	BEAD, FERRITE (CHIP)
FB205	1-500-113-22	BEAD, FERRITE (CHIP)
FB206	1-500-113-22	BEAD, FERRITE (CHIP)
FB303	1-414-555-21	FERRITE, EMI (SMD)
FB304	1-414-555-21	FERRITE, EMI (SMD)
FB305	1-414-555-21	FERRITE, EMI (SMD)
FB306	1-414-555-21	FERRITE, EMI (SMD)
FB307	1-414-555-21	FERRITE, EMI (SMD)
FB308	1-414-555-21	FERRITE, EMI (SMD)
FB309	1-414-555-21	FERRITE, EMI (SMD)
FB310	1-414-555-21	FERRITE, EMI (SMD)
FB311	1-414-555-21	FERRITE, EMI (SMD)
FB312	1-414-555-21	FERRITE, EMI (SMD)
FB313	1-469-324-21	FERRITE, EMI (SMD)
FB314	1-469-324-21	FERRITE, EMI (SMD)
FB315	1-469-324-21	FERRITE, EMI (SMD)
FB316	1-469-324-21	FERRITE, EMI (SMD)
		<FILTER>
FL201	1-469-642-21	FILTER, EMI (SMD) (2125)
FL202	1-469-642-21	FILTER, EMI (SMD) (2125)
FL203	1-469-642-21	FILTER, EMI (SMD) (2125)
FL301	1-234-601-21	

Ref.	Part No.	Description	Ref.	Part No.	Description	Ref.	Part No.	Description	Ref.	Part No.	Description
IC207	8-759-391-69	IC MC78M05CDTRK	R106	1-216-809-91	RES, CHIP 100 (1608)	R259	1-216-824-91	RES, CHIP 1.8K (1608)	R414	1-218-835-91	RES, CHIP 330 (1608)
IC208	8-759-683-81	IC SN74CBT1G125DCKR	R107	1-216-809-91	RES, CHIP 100 (1608)	R261	1-216-829-91	RES, CHIP 4.7K (1608)	R417	1-216-813-91	RES, CHIP 220 (1608)
IC209	8-759-697-60	IC MM3071CFBE	R109	1-216-829-91	RES, CHIP 4.7K (1608)	R263	1-216-825-91	RES, CHIP 2.2K (1608)	R418	1-216-817-91	RES, CHIP 470 (1608)
IC303	8-759-699-11	IC CXD9619GB	R110	1-211-983-91	RES, CHIP 39 (1608)	R264	1-216-821-91	RES, CHIP 1.0K (1608)	R421	1-216-790-91	RES, CHIP 2.7 (1608)
IC305	8-759-496-87	IC T7X16(YEL)	R111	1-211-983-91	RES, CHIP 39 (1608)	R265	1-216-821-91	RES, CHIP 1.0K (1608)	R422	1-216-797-91	RES, CHIP 10 (1608)
IC306	8-759-688-07	IC MM3051NULLE	R112	1-211-989-91	RES, CHIP 68 (1608)	R270	1-218-853-91	RES, CHIP 1.8K (1608)	R423	1-216-790-91	RES, CHIP 2.7 (1608)
IC403	8-759-581-11	IC NJM2125F(Te2)	R113	1-211-989-91	RES, CHIP 68 (1608)	R272	1-218-859-91	RES, CHIP 3.3K (1608)	R424	1-216-797-91	RES, CHIP 10 (1608)
IC404	8-759-689-89	IC SN104809DBTR	R114	1-211-983-91	RES, CHIP 39 (1608)	R273	1-218-851-91	RES, CHIP 1.5K (1608)	R425	1-218-985-81	RES, CHIP 470K (1608)
IC408	8-759-712-65	IC PQ070XZ01ZP	R115	1-211-983-91	RES, CHIP 39 (1608)	R277	1-218-853-91	RES, CHIP 1.8K (1608)	R426	1-218-879-91	RES, CHIP 22K (1608)
IC410	8-749-018-42	IC SI-3026LSA-TL	R116	1-211-983-91	RES, CHIP 39 (1608)	R278	1-218-859-91	RES, CHIP 3.3K (1608)	R427	1-218-875-91	RES, CHIP 15K (1608)
IC501	8-759-699-10	IC CXD9611R	R117	1-211-983-91	RES, CHIP 39 (1608)	R279	1-218-851-91	RES, CHIP 1.5K (1608)	R428	1-216-309-91	RES, CHIP 5.6 (2012)
IC502	8-759-712-79	IC K4E151612D-TL50T00	R118	1-211-973-91	RES, CHIP 15 (1608)	R292	1-216-833-91	RES, CHIP 10K (1608)	R430	1-216-813-91	RES, CHIP 220 (1608)
IC503	8-759-824-92	IC MR27V3202E-23TPZ020	R119	1-211-973-91	RES, CHIP 15 (1608)	R294	1-216-829-91	RES, CHIP 4.7K (1608)	R433	1-216-826-91	RES, CHIP 2.7K (1608)
IC504	8-752-408-53	IC CXD2942AR	R120	1-211-973-91	RES, CHIP 15 (1608)	R295	1-216-817-91	RES, CHIP 470 (1608)	R438	1-218-850-91	RES, CHIP 1.3K (1608)
IC505	8-759-830-44	IC TC5364200FT-UC120	R121	1-211-973-91	RES, CHIP 15 (1608)	R307	1-211-987-91	RES, CHIP 56 (1608)	R439	1-218-857-91	RES, CHIP 2.7K (1608)
IC506	8-759-824-91	IC MR27V3202E-24TPZ020	R122	1-216-864-91	CONDUCTOR, CHIP (1608)	R308	1-218-864-91	RES, CHIP 5.1K (1608)	R448	1-216-829-91	RES, CHIP 4.7K (1608)
IC517	8-759-667-10	IC CS4335-KS	R123	1-216-864-91	CONDUCTOR, CHIP (1608)	R309	1-211-987-91	RES, CHIP 56 (1608)	R451	1-216-813-91	RES, CHIP 220 (1608)
IC518	8-759-680-49	IC TC7WB125FK(TE85R)	R124	1-216-864-91	CONDUCTOR, CHIP (1608)	R310	1-211-987-91	RES, CHIP 56 (1608)	R470	1-216-837-91	RES, CHIP 22K (1608)
IC603	8-759-370-11	IC NJM2100V-TE2	R125	1-216-864-91	CONDUCTOR, CHIP (1608)	R311	1-216-829-91	RES, CHIP 4.7K (1608)	R471	1-218-985-81	RES, CHIP 470K (1608)
IC604	8-752-919-93	IC CXP102064-101R-T6	R126	1-216-833-91	RES, CHIP 10K (1608)	R312	1-211-987-91	RES, CHIP 56 (1608)	R472	1-218-871-91	RES, CHIP 10K (1608)
IC605	8-752-409-02	IC CXD1869AQ	R127	1-216-829-91	RES, CHIP 4.7K (1608)	R315	1-218-866-91	RES, CHIP 6.2K (1608)	R473	1-218-863-91	RES, CHIP 4.7K (1608)
IC606	8-759-712-38	IC HD74HC1G66CME	R128	1-216-829-91	RES, CHIP 4.7K (1608)	R316	1-216-797-91	RES, CHIP 10 (1608)	R474	1-216-827-91	RES, CHIP 3.3K (1608)
		<INDUCTOR>	R129	1-216-821-91	RES, CHIP 1.0K (1608)	R318	1-216-864-91	CONDUCTOR, CHIP (1608)	R475	1-216-822-91	RES, CHIP 1.2K (1608)
L102	1-414-398-41	INDUCTOR (SMD) 10.0UH	R130	1-216-817-91	RES, CHIP 470 (1608)	R320	1-219-570-91	RES, CHIP 10M (1608)	R476	1-216-813-91	RES, CHIP 220 (1608)
L203	1-469-967-21	INDUCTOR, CHIP 10UH (2518)	R131	1-216-833-91	RES, CHIP 10K (1608)	R321	1-216-813-91	RES, CHIP 220 (1608)	R477	1-216-816-91	RES, CHIP 390 (1608)
L205	1-469-967-21	INDUCTOR, CHIP 10UH (2518)	R132	1-216-833-91	RES, CHIP 10K (1608)	R322	1-218-989-81	RES, CHIP 1M (1608)	R478	1-216-813-91	RES, CHIP 220 (1608)
L206	1-412-960-21	INDUCTOR, SMALL TYPE 56UH 2518	R133	1-216-833-91	RES, CHIP 10K (1608)	R324	1-218-965-81	RES, CHIP 10K (1608)	R479	1-216-816-91	RES, CHIP 390 (1608)
L401	1-419-901-21	COIL, CHOKE (SMD) 10UH	R134	1-216-833-91	RES, CHIP 10K (1608)	R327	1-216-833-91	RES, CHIP 10K (1608)	R498	1-216-864-91	CONDUCTOR, CHIP (1608)
L402	1-419-901-21	COIL, CHOKE (SMD) 10UH	R135	1-216-864-91	CONDUCTOR, CHIP (1608)	R328	1-216-841-91	RES, CHIP 47K (1608)	R503	1-216-803-91	RES, CHIP 33 (1608)
L403	1-419-903-21	COIL (SMD), CHOKE 4.2UH	R136	1-216-864-91	CONDUCTOR, CHIP (1608)	R330	1-216-803-91	RES, CHIP 33 (1608)	R504	1-216-803-91	RES, CHIP 33 (1608)
L404	1-419-905-21	COIL, CHOKE (SMD) 1.82UH	R138	1-216-864-91	CONDUCTOR, CHIP (1608)	R331	1-216-864-91	CONDUCTOR, CHIP (1608)	R505	1-216-803-91	RES, CHIP 33 (1608)
		<COIL>	R139	1-216-801-91	RES, CHIP 22 (1608)	R332	1-216-817-91	RES, CHIP 470 (1608)	R506	1-216-809-91	RES, CHIP 100 (1608)
LF101	1-419-100-21	COIL, COMMON-MODE CHOKE	R145	1-216-821-91	RES, CHIP 1.0K (1608)	R333	1-216-817-91	RES, CHIP 470 (1608)	R507	1-218-937-81	RES, CHIP 47 (1608)
LF303	1-419-521-21	COIL, COMMON MODE CHOKE	R146	1-216-821-91	RES, CHIP 1.0K (1608)	R334	1-216-829-91	RES, CHIP 4.7K (1608)	R509	1-216-821-91	RES, CHIP 1.0K (1608)
LF304	1-419-521-21	COIL, COMMON MODE CHOKE	R147	1-216-821-91	RES, CHIP 1.0K (1608)	R335	1-216-829-91	RES, CHIP 4.7K (1608)	R511	1-216-806-91	RES, CHIP 56 (1608)
LF305	1-419-521-21	COIL, COMMON MODE CHOKE	R185	1-216-829-91	RES, CHIP 4.7K (1608)	R336	1-216-821-91	RES, CHIP 1.0K (1608)	R513	1-218-937-81	RES, CHIP 47 (1608)
LF306	1-419-521-21	COIL, COMMON MODE CHOKE	R188	1-216-829-91	RES, CHIP 4.7K (1608)	R347	1-211-986-91	RES, CHIP 51 (1608)	R514	1-216-806-91	RES, CHIP 56 (1608)
		<LINK>	R196	1-216-801-91	RES, CHIP 22 (1608)	R349	1-216-821-91	RES, CHIP 1.0K (1608)	R515	1-216-806-91	RES, CHIP 56 (1608)
△ PS001	1-533-940-21	RINK, CHIP IC	R202	1-216-833-91	RES, CHIP 10K (1608)	R350	1-216-807-91	RES, CHIP 68 (1608)	R516	1-218-941-81	RES, CHIP 100 (1608)
△ PS002	1-533-940-21	RINK, CHIP IC	R203	1-216-864-91	CONDUCTOR, CHIP (1608)	R351	1-216-805-91	RES, CHIP 47 (1608)	R517	1-218-941-81	RES, CHIP 100 (1608)
△ PS003	1-533-915-41	RINK, CHIP IC	R205	1-216-864-91	CONDUCTOR, CHIP (1608)	R352	1-216-797-91	RES, CHIP 10 (1608)	R520	1-216-806-91	RES, CHIP 56 (1608)
△ PS004	1-533-674-21	RINK, CHIP IC	R208	1-216-864-91	CONDUCTOR, CHIP (1608)	R355	1-218-933-81	RES, CHIP 22 (1608)	R521	1-216-806-91	RES, CHIP 56 (1608)
△ PS005	1-533-940-21	RINK, CHIP IC	R212	1-216-864-91	CONDUCTOR, CHIP (1608)	R356	1-216-801-91	RES, CHIP 22 (1608)	R522	1-216-833-91	RES, CHIP 10K (1608)
		<TRANSISTOR>	R213	1-216-864-91	CONDUCTOR, CHIP (1608)	R357	1-218-933-81	RES, CHIP 22 (1608)	R527	1-216-821-91	RES, CHIP 1.0K (1608)
Q201	8-729-026-50	TRANSISTOR 2SA1037AK-T146-QR	R215	1-216-864-91	CONDUCTOR, CHIP (1608)	R358	1-218-933-81	RES, CHIP 22 (1608)	R531	1-216-809-91	RES, CHIP 100 (1608)
Q204	8-729-049-77	TRANSISTOR HN1B01F-GR(T5LSOY)	R216	1-216-809-91	RES, CHIP 100 (1608)	R359	1-216-801-91	RES, CHIP 22 (1608)	R574	1-216-812-91	RES, CHIP 180 (1608)
Q205	8-729-427-71	TRANSISTOR XP4401-TXE	R217	1-218-859-91	RES, CHIP 3.3K (1608)	R360	1-216-805-91	RES, CHIP 47 (1608)	R601	1-216-864-91	CONDUCTOR, CHIP (1608)
Q401	8-729-051-63	TRANSISTOR SI4884DY-T1	R218	1-218-847-91	RES, CHIP 1.0K (1608)	R361	1-216-805-91	RES, CHIP 47 (1608)	R604	1-216-845-91	RES, CHIP 100K (1608)
Q402	8-729-053-79	TRANSISTOR IRF7901D1-TR	R219	1-218-851-91	RES, CHIP 1.5K (1608)	R362	1-218-937-81	RES, CHIP 47 (1608)	R606	1-216-833-91	RES, CHIP 10K (1608)
Q404	8-729-051-62	TRANSISTOR IRF7809A-TR	R220	1-216-801-91	RES, CHIP 22 (1608)	R363	1-216-864-91	CONDUCTOR, CHIP (1608)	R607	1-218-965-81	RES, CHIP 10K (1608)
Q407	8-729-052-41	TRANSISTOR 2SC4541 (2TL SONY1)	R225	1-216-833-91	RES, CHIP 10K (1608)	R364	1-216-805-91	RES, CHIP 47 (1608)	R613	1-216-833-91	RES, CHIP 10K (1608)
Q408	8-729-054-34	TRANSISTOR FDN304P	R226	1-218-965-81	RES, CHIP 10K (1608)	R365	1-216-805-91	RES, CHIP 47 (1608)	R614	1-218-965-81	RES, CHIP 10K (1608)
Q505	8-729-021-09	TRANSISTOR RN4904(TE85R)	R227	1-216-864-91	CONDUCTOR, CHIP (1608)	R366	1-218-937-81	RES, CHIP 47 (1608)	R615	1-216-864-91	CONDUCTOR, CHIP (1608)
Q506	8-729-047-71	TRANSISTOR FMG12-T-148	R228	1-218-965-81	RES, CHIP 10K (1608)	R367	1-216-805-91	RES, CHIP 47 (1608)	R616	1-216-864-91	CONDUCTOR, CHIP (1608)
Q600	8-729-048-50	TRANSISTOR 2SK3018-T106	R233	1-216-821-91	RES, CHIP 1.0K (1608)	R368	1-216-805-91	RES, CHIP 47 (1608)	R619	1-216-833-91	RES, CHIP 10K (1608)
Q603	8-729-017-33	TRANSISTOR RN1706-TE85R	R236	1-216-809-91	RES, CHIP 100 (1608)	R394	1-216-833-91	RES, CHIP 10K (1608)	R620	1-216-833-91	RES, CHIP 10K (1608)
		<RESISTOR>	R237	1-216-829-91	RES, CHIP 4.7K (1608)	R395	1-216-825-91	RES, CHIP 2.2K (1608)	R623	1-216-837-91	RES, CHIP 22K (1608)
R101	1-211-983-91	RES, CHIP 39 (1608)	R244	1-218-831-91	RES, CHIP 220 (1608)	R401	1-216-857-91	RES, CHIP 1.0M (1608)	R624	1-216-850-91	RES, CHIP 270K (1608)
R102	1-218-826-91	RES, CHIP 130 (1608)	R245	1-218-831-91	RES, CHIP 220 (1608)	R402	1-216-845-91	RES, CHIP 100K (1608)	R625	1-216-839-91	RES, CHIP 33K (1608)
R103	1-211-983-91	RES, CHIP 39 (1608)	R246	1-218-831-91	RES, CHIP 220 (1608)	R406	1-216-811-91	RES, CHIP 150 (1608)	R626	1-218-965-81	RES, CHIP 10K (1608)
R104	1-218-826-91	RES, CHIP 130 (1608)	R247	1-216-801-91	RES, CHIP 22 (1608)	R407	1-216-811-91	RES, CHIP 150 (1608)	R627	1-216-835-91	RES, CHIP 15K (1608)
R105	1-216-864-91	CONDUCTOR, CHIP (1608)	R251	1-216-837-91	RES, CHIP 22K (1608)	R409	1-218-835-91	RES, CHIP 330 (1608)	R630	1-216-837-91	RES, CHIP 22K (1608)
R106	1-216-809-91	RES, CHIP 100 (1608)	R252	1-216-839-91	RES, CHIP 33K (1608)	R410	1-218-883-91	RES, CHIP 33K (1608)	R631	1-216-821-91	RES, CHIP 1.0K (1608)
R107	1-216-809-91	RES, CHIP 100 (1608)	R253	1-216-833-91	RES, CHIP 10K (1608)	R411	1-218-883-91	RES, CHIP 33K (1608)	R632	1-216-821-91	RES, CHIP 1.0K (1608)
R109	1-216-829-91	RES, CHIP 4.7K (1608)	R257	1-216-824-91	RES, CHIP 1.8K (1608)	R412	1-218-883-91	RES, CHIP 33K (1608)	R633	1-216-821-91	RES, CHIP 1.0K (1608)
R110	1-211-983-91	RES, CHIP 39 (1608)	R258	1-218-883-91	RES, CHIP 33K (1608)	R413	1-218-883-91	RES, CHIP 33K (1608)	R634	1-216-821-91	RES, CHIP 1

Ref.	Part No.	Description	
R636	1-216-864-91	CONDUCTOR, CHIP	(1608)
R640	1-216-837-91	RES, CHIP 22K	(1608)
R642	1-218-965-81	RES, CHIP 10K	
R643	1-216-850-91	RES, CHIP 270K	(1608)
R644	1-216-837-91	RES, CHIP 22K	(1608)
R649	1-216-833-91	RES, CHIP 10K	(1608)
R650	1-218-965-81	RES, CHIP 10K	
R651	1-216-835-91	RES, CHIP 15K	(1608)
R653	1-216-845-91	RES, CHIP 100K	(1608)
R654	1-218-977-81	RES, CHIP 100K	
R657	1-218-971-81	RES, CHIP 33K	
R658	1-218-965-81	RES, CHIP 10K	
R660	1-216-833-91	RES, CHIP 10K	(1608)
R661	1-216-833-91	RES, CHIP 10K	(1608)
R662	1-216-864-91	CONDUCTOR, CHIP	(1608)
R667	1-216-861-91	RES, CHIP 2.2M	(1608)
R668	1-218-985-81	RES, CHIP 470K	
R669	1-218-977-81	RES, CHIP 100K	
R670	1-218-965-81	RES, CHIP 10K	
R671	1-218-959-81	RES, CHIP 3.3K	
R672	1-218-888-91	RES, CHIP 51K	(1608)
R673	1-218-959-81	RES, CHIP 3.3K	
R674	1-218-977-81	RES, CHIP 100K	
R675	1-218-971-81	RES, CHIP 33K	
R678	1-216-829-91	RES, CHIP 4.7K	(1608)
R689	1-218-977-81	RES, CHIP 100K	
R694	1-216-835-91	RES, CHIP 15K	(1608)
R696	1-216-846-91	RES, CHIP 120K	(1608)
R698	1-216-835-91	RES, CHIP 15K	(1608)
R699	1-216-833-91	RES, CHIP 10K	(1608)
R901	1-216-805-91	RES, CHIP 47	(1608)
R902	1-216-805-91	RES, CHIP 47	(1608)
R974	1-216-801-91	RES, CHIP 22	(1608)
R975	1-216-801-91	RES, CHIP 22	(1608)
R984	1-216-864-91	CONDUCTOR, CHIP	(1608)
RB101	1-234-496-21	ARRAY, RESISTOR 39	
RB102	1-234-496-21	ARRAY, RESISTOR 39	
RB103	1-234-496-21	ARRAY, RESISTOR 39	
RB104	1-234-496-21	ARRAY, RESISTOR 39	
RB105	1-234-496-21	ARRAY, RESISTOR 39	
RB106	1-234-496-21	ARRAY, RESISTOR 39	
RB107	1-233-423-21	RES, CHIP NETWORK 47 (3216)	
RB108	1-233-423-21	RES, CHIP NETWORK 47 (3216)	
RB109	1-233-423-21	RES, CHIP NETWORK 47 (3216)	
RB110	1-233-423-21	RES, CHIP NETWORK 47 (3216)	
RB111	1-233-423-21	RES, CHIP NETWORK 47 (3216)	
RB112	1-233-423-21	RES, CHIP NETWORK 47 (3216)	
RB113	1-233-423-21	RES, CHIP NETWORK 47 (3216)	
RB114	1-233-423-21	RES, CHIP NETWORK 47 (3216)	
RB115	1-233-423-21	RES, CHIP NETWORK 47 (3216)	
RB116	1-233-423-21	RES, CHIP NETWORK 47 (3216)	
RB117	1-233-423-21	RES, CHIP NETWORK 47 (3216)	
RB118	1-233-423-21	RES, CHIP NETWORK 47 (3216)	
RB119	1-233-423-21	RES, CHIP NETWORK 47 (3216)	
RB120	1-233-423-21	RES, CHIP NETWORK 47 (3216)	
RB121	1-233-423-21	RES, CHIP NETWORK 47 (3216)	
RB122	1-233-423-21	RES, CHIP NETWORK 47 (3216)	
RB123	1-233-423-21	RES, CHIP NETWORK 47 (3216)	
RB124	1-233-423-21	RES, CHIP NETWORK 47 (3216)	
RB125	1-233-423-21	RES, CHIP NETWORK 47 (3216)	
RB126	1-233-423-21	RES, CHIP NETWORK 47 (3216)	
RB130	1-233-423-21	RES, CHIP NETWORK 47 (3216)	
RB131	1-233-423-21	RES, CHIP NETWORK 47 (3216)	
RB132	1-233-423-21	RES, CHIP NETWORK 47 (3216)	
RB133	1-233-423-21	RES, CHIP NETWORK 47 (3216)	

Ref.	Part No.	Description	
RB134	1-233-423-21	RES, CHIP NETWORK 47 (3216)	
RB135	1-233-423-21	RES, CHIP NETWORK 47 (3216)	
RB136	1-233-423-21	RES, CHIP NETWORK 47 (3216)	
RB137	1-233-423-21	RES, CHIP NETWORK 47 (3216)	
RB139	1-233-414-21	RES, CHIP NETWORK 4.7K (3216)	
RB241	1-233-414-21	RES, CHIP NETWORK 4.7K (3216)	
RB294	1-233-414-21	RES, CHIP NETWORK 4.7K (3216)	
RB295	1-233-412-21	RES, CHIP NETWORK 1.0K (3216)	
RB296	1-234-598-21	RES, CHIP NETWORK 75X4 (3216)	
RB297	1-234-599-21	RES, CHIP NETWORK 180X4 (3216)	
RB298	1-234-598-21	RES, CHIP NETWORK 75X4 (3216)	
RB303	1-233-412-21	RES, CHIP NETWORK 1.0K (3216)	
RB305	1-233-575-21	RES, CHIP NETWORK 22	
RB310	1-233-414-21	RES, CHIP NETWORK 4.7K (3216)	
RB311	1-233-679-91	RES, NETWORK (1608) 470	
RB312	1-233-786-91	RES, NETWORK 220 (1608)	
RB314	1-233-681-91	RES, NETWORK (1608) 4.7K	
RB317	1-233-423-21	RES, CHIP NETWORK 47 (3216)	
RB318	1-233-423-21	RES, CHIP NETWORK 47 (3216)	
RB319	1-233-423-21	RES, CHIP NETWORK 47 (3216)	
RB320	1-233-423-21	RES, CHIP NETWORK 47 (3216)	
RB321	1-233-423-21	RES, CHIP NETWORK 47 (3216)	
RB322	1-233-412-21	RES, CHIP NETWORK 1.0K (3216)	
RB323	1-233-412-21	RES, CHIP NETWORK 1.0K (3216)	
RB324	1-233-412-21	RES, CHIP NETWORK 1.0K (3216)	
RB325	1-233-412-21	RES, CHIP NETWORK 1.0K (3216)	
RB326	1-233-412-21	RES, CHIP NETWORK 1.0K (3216)	
RB327	1-233-415-21	RES, CHIP NETWORK 10K (3216)	
RB328	1-233-414-21	RES, CHIP NETWORK 4.7K (3216)	
RB329	1-233-783-91	RES, NETWORK 22 (1608)	
RB402	1-233-803-91	RES, NETWORK 1.5K (1608)	
RB511	1-233-423-21	RES, CHIP NETWORK 47 (3216)	
RB512	1-234-610-21	RES, CHIP NETWORK 270K (3216)	
RB514	1-233-576-21	RES, CHIP NETWORK 100	
RB515	1-234-611-21	RES, CHIP NETWORK 560 (3216)	
RB516	1-233-415-21	RES, CHIP NETWORK 10K (3216)	
RB517	1-233-575-21	RES, CHIP NETWORK 22	
RB518	1-233-575-21	RES, CHIP NETWORK 22	
RB519	1-233-575-21	RES, CHIP NETWORK 22	
RB520	1-233-575-21	RES, CHIP NETWORK 22	
RB521	1-233-575-21	RES, CHIP NETWORK 22	
RB522	1-233-575-21	RES, CHIP NETWORK 22	
RB523	1-233-575-21	RES, CHIP NETWORK 22	
RB524	1-233-575-21	RES, CHIP NETWORK 22	
RB525	1-233-575-21	RES, CHIP NETWORK 22	
RB526	1-233-575-21	RES, CHIP NETWORK 22	
RB527	1-233-575-21	RES, CHIP NETWORK 22	
RB528	1-233-575-21	RES, CHIP NETWORK 22	
RB529	1-233-575-21	RES, CHIP NETWORK 22	
RB530	1-233-575-21	RES, CHIP NETWORK 22	
RB531	1-233-575-21	RES, CHIP NETWORK 22	
RB532	1-233-575-21	RES, CHIP NETWORK 22	
RB602	1-233-415-21	RES, CHIP NETWORK 10K (3216)	
RB603	1-233-415-21	RES, CHIP NETWORK 10K (3216)	
RB606	1-233-412-21	RES, CHIP NETWORK 1.0K (3216)	
RB607	1-233-415-21	RES, CHIP NETWORK 10K (3216)	
RB609	1-233-423-21	RES, CHIP NETWORK 47 (3216)	
RB611	1-233-415-21	RES, CHIP NETWORK 10K (3216)	
<CRYSTAL>			
X101	1-781-640-21	VIBRATOR, CRYSTAL	
X202	1-781-857-21	OSCILLATOR, CRYSTAL	
X301	1-781-856-21	VIBRATOR, CRYSTAL	
X302	1-781-768-21	VIBRATOR, CRYSTAL	

Ref.	Part No.	Description	
A-6712-832-A MOUNTED CIRCUIT BOARD, GD-013-11 ***** PLACE CODE #25GD			
<BATTERY>			
BT401	1-756-076-21	HOLDER, LITHIUM BATTERY	
<CAPACITOR>			
C119	1-162-927-91	CAP, CERAMIC 100PF CH (1608)	
C120	1-162-927-91	CAP, CERAMIC 100PF CH (1608)	
C121	1-162-927-91	CAP, CERAMIC 100PF CH (1608)	
C122	1-162-927-91	CAP, CERAMIC 100PF CH (1608)	
C123	1-162-927-91	CAP, CERAMIC 100PF CH (1608)	
C124	1-162-927-91	CAP, CERAMIC 100PF CH (1608)	
C401	1-107-826-91	CAP, CHIP CERAMIC 100000PF B	
C402	1-164-505-91	CAP, CHIP CERAMIC 2.2MF F (2012)	
C403	1-162-964-91	CAP, CHIP CERAMIC 1000PF B (1608)	
C405	1-107-826-91	CAP, CHIP CERAMIC 100000PF B	
C407	1-107-826-91	CAP, CHIP CERAMIC 100000PF B	
C408	1-125-837-91	CAP, CHIP CERAMIC 1MF B (1608)	
C425	1-128-995-21	CAP, ELECT 100MF	
C426	1-107-826-91	CAP, CHIP CERAMIC 100000PF B	
C434	1-162-964-91	CAP, CHIP CERAMIC 1000PF B (1608)	
C445	1-117-720-91	CAP, CERAMIC 4.7MF F (2012)	
C449	1-162-964-91	CAP, CHIP CERAMIC 1000PF B (1608)	
C452	1-164-156-91	CAP, CHIP CERAMIC 0.1MF F (1608)	
C453	1-164-156-91	CAP, CHIP CERAMIC 0.1MF F (1608)	
C454	1-124-779-21	CAP, ELECT 10MF	
C455	1-124-779-21	CAP, ELECT 10MF	
C456	1-124-779-21	CAP, ELECT 10MF	
C458	1-135-347-21	CAP, SOLID ELECT 82MF	
C459	1-135-347-21	CAP, SOLID ELECT 82MF	
C460	1-164-174-91	CAP, CERAMIC 8200PF B (1608)	
C461	1-164-174-91	CAP, CERAMIC 8200PF B (1608)	
C462	1-135-347-21	CAP, SOLID ELECT 82MF	
C465	1-107-826-91	CAP, CHIP CERAMIC 100000PF B	
C467	1-126-209-21	CAP, ELECT 100MF	
C469	1-162-977-91	CAP, CERAMIC 1800PF B (1608)	
C470	1-107-826-91	CAP, CHIP CERAMIC 100000PF B	
C471	1-164-379-91	CAP, CERAMIC 43PF CH (1608)	
C472	1-107-826-91	CAP, CHIP CERAMIC 100000PF B	
C473	1-162-970-91	CAP, CERAMIC 10000PF B (1608)	
C474	1-107-826-91	CAP, CHIP CERAMIC 100000PF B	
C475	1-164-730-91	CAP, CERAMIC 1200PF B (1608)	
C476	1-115-339-91	CAP, CERAMIC 0.1MF B (2012)	
C478	1-124-779-21	CAP, ELECT 10MF	
C479	1-125-837-91	CAP, CHIP CERAMIC 1MF B (1608)	
C480	1-115-339-91	CAP, CERAMIC 0.1MF B (2012)	
C481	1-135-593-21	CAP, ELECT 150MF	
C482	1-107-826-91	CAP, CHIP CERAMIC 100000PF B	
C483	1-107-826-91	CAP, CHIP CERAMIC 100000PF B	
C484	1-135-593-21	CAP, ELECT 150MF	
C485	1-107-826-91	CAP, CHIP CERAMIC 100000PF B	
C486	1-131-999-21	CAP, SOLID ELECT 150MF	
C487	1-131-999-21	CAP, SOLID ELECT 150MF	
C488	1-115-566-91	CAP, CERAMIC 4.7MF B	
C489	1-131-999-21	CAP, SOLID ELECT 150MF	
C491	1-126-209-21	CAP, ELECT 100MF	
C492	1-107-826-91	CAP, CHIP CERAMIC 100000PF B	
C493	1-107-826-91	CAP, CHIP CERAMIC 100000PF B	
C494	1-107-725-91	CAP, CERAMIC 100000PF B (2012)	
C495	1-125-837-91	CAP, CHIP CERAMIC 1MF B (1608)	
C496	1-107-682-91	CAP, CERAMIC 1000000PF B 3216	
C497	1-162-964-91	CAP, CHIP CERAMIC 1000PF B (1608)	
C498	1-124-779-21	CAP, ELECT 10MF	
C499	1-164-505-91	CAP, CHIP CERAMIC 2.2MF F (2012)	

Ref.	Part No.	Description	
C500	1-126-205-21	CAP, ELECT 47MF	
C501	1-126-205-21	CAP, ELECT 47MF	
C502	1-162-964-91	CAP, CHIP CERAMIC 1000PF B (1608)	
C503	1-126-200-21	CAP, ELECT 10MF	
C504	1-163-009-91	CAP, CHIP CERAMIC 1000PF B (2012)	
C505	1-126-205-21	CAP, ELECT 47MF	
C506	1-126-205-21	CAP, ELECT 47MF	
C507	1-162-964-91	CAP, CHIP CERAMIC 1000PF B (1608)	
C508	1-126-205-21	CAP, ELECT 47MF	
C509	1-126-200-21	CAP, ELECT 10MF	
C510	1-126-205-21	CAP, ELECT 47MF	
C511	1-126-205-21	CAP, ELECT 47MF	
<CONNECTOR>			
CN401	1-815-305-11	CONNECTOR (PLUG) 4P	
CN404	1-815-231-21	CONNECTOR, FFC/FPC (ZIF) 40P	
CN405	1-815-303-11	CONNECTOR, BOARD TO BOARD 34P	
CN406	1-779-345-11	CONNECTOR, FFC/FPC 7P	
<DIODE>			
D401	8-719-016-75	DIODE 1SS352-TPH3	
D404	8-719-033-15	DIODE HN2D02FU-TE85R	
D407	8-719-074-34	DIODE RB495D-T146	
D4			

Ref.	Part No.	Description
△ PS009	1-533-674-21	RINK, CHIP IC <TRANSISTOR>
Q405	8-729-427-47	TRANSISTOR XP4213-TXE
Q406	8-729-053-79	TRANSISTOR IRF7901D1-TR
Q407	8-729-046-04	TRANSISTOR FDS6690A
Q408	8-729-051-61	TRANSISTOR IRF7807D1-TR
Q409	8-729-427-47	TRANSISTOR XP4213-TXE
Q410	8-729-029-14	TRANSISTOR DTC144EUA-T106
Q411	8-729-043-74	TRANSISTOR SI4435DY-T1-REVA
Q412	8-729-043-74	TRANSISTOR SI4435DY-T1-REVA
Q414	8-729-043-74	TRANSISTOR SI4435DY-T1-REVA
Q415	8-729-029-14	TRANSISTOR DTC144EUA-T106
Q416	8-729-028-91	TRANSISTOR DTA144EUA-T106 <RESISTOR>
R429	1-216-833-91	RES, CHIP 10K (1608)
R431	1-216-813-91	RES, CHIP 220 (1608)
R432	1-216-826-91	RES, CHIP 2.7K (1608)
R434	1-216-810-91	RES, CHIP 120 (1608)
R435	1-216-810-91	RES, CHIP 120 (1608)
R440	1-218-861-91	RES, CHIP 3.9K (1608)
R441	1-218-879-91	RES, CHIP 22K (1608)
R442	1-218-869-91	RES, CHIP 8.2K (1608)
R443	1-218-865-91	RES, CHIP 5.6K (1608)
R444	1-218-881-91	RES, CHIP 27K (1608)
R445	1-218-849-91	RES, CHIP 1.2K (1608)
R446	1-216-817-91	RES, CHIP 470 (1608)
R447	1-216-817-91	RES, CHIP 470 (1608)
R449	1-216-829-91	RES, CHIP 4.7K (1608)
R450	1-216-813-91	RES, CHIP 220 (1608)
R452	1-216-797-91	RES, CHIP 10 (1608)
R453	1-216-797-91	RES, CHIP 10 (1608)
R454	1-216-797-91	RES, CHIP 10 (1608)
R457	1-218-883-91	RES, CHIP 33K (1608)
R458	1-216-797-91	RES, CHIP 10 (1608)
R459	1-216-833-91	RES, CHIP 10K (1608)
R460	1-218-874-91	RES, CHIP 13K (1608)
R461	1-216-309-91	RES, CHIP 5.6 (2012)
R462	1-216-864-91	CONDUCTOR, CHIP (1608)
R463	1-216-857-91	RES, CHIP 1.0M (1608)
R465	1-216-845-91	RES, CHIP 100K (1608)
R466	1-216-833-91	RES, CHIP 10K (1608)
R467	1-216-833-91	RES, CHIP 10K (1608)
R469	1-216-833-91	RES, CHIP 10K (1608)
R470	1-216-827-91	RES, CHIP 3.3K (1608)
R471	1-216-822-91	RES, CHIP 1.2K (1608)
R472	1-216-837-91	RES, CHIP 22K (1608)
R473	1-216-837-91	RES, CHIP 22K (1608)
R474	1-216-813-91	RES, CHIP 220 (1608)
R475	1-216-816-91	RES, CHIP 390 (1608)
R476	1-216-816-91	RES, CHIP 390 (1608)
R477	1-216-813-91	RES, CHIP 220 (1608)
R478	1-216-837-91	RES, CHIP 22K (1608)
R479	1-216-829-91	RES, CHIP 4.7K (1608)
R480	1-216-832-91	RES, CHIP 8.2K (1608)
RB403	1-233-789-91	RES, NETWORK 10K (1608)
RB405	1-233-803-91	RES, NETWORK 1.5K (1608)
RB406	1-233-792-91	RES, NETWORK 100K (1608)
RB407	1-233-795-91	RES, NETWORK 1.0M (1608)
RB408	1-233-415-21	RES, CHIP NETWORK 10K (3216)
RB409	1-233-415-21	RES, CHIP NETWORK 10K (3216)
RB410	1-233-415-21	RES, CHIP NETWORK 10K (3216)

Ref.	Part No.	Description
		<THERMISTOR>
△ TH401	1-533-817-21	THERMISTOR
△ TH402	1-533-817-21	THERMISTOR
△ TH403	1-533-817-21	THERMISTOR
		<CRYSTAL>
X401	1-760-496-22	VIBRATOR, LITHIUM NIOBATE
X402	1-781-266-41	VIBRATOR, CRYSTAL

A-6712-834-A MOUNTED CIRCUIT BOARD, GI-006		

		PLACE CODE #25GI
		<CONNECTOR>
CN904	1-815-191-21	CONNECTOR BOARD TO BOARD 110P
CN903	1-815-240-21	CONNECTOR BOARD TO BOARD 110P

A-6712-833-A MOUNTED CIRCUIT BOARD, GM-043		

		PLACE CODE #25GM
		<CAPACITOR>
C100	1-115-467-91	CAP, CHIP CERAMIC0.22MF B (1608)
C101	1-115-467-91	CAP, CHIP CERAMIC0.22MF B (1608)
C102	1-104-913-91	CAP, CHIP TANTALUM ELECT 10MF
C103	1-135-900-21	CAP, TANTALUM ELECT 22MF
C104	1-164-670-91	CAP, CERAMIC 1200PF SL (1608)
C105	1-104-913-91	CAP, CHIP TANTALUM ELECT 10MF
C106	1-135-900-21	CAP, TANTALUM ELECT 22MF
C107	1-164-670-91	CAP, CERAMIC 1200PF SL (1608)
C108	1-107-826-91	CAP, CHIP CERAMIC 100000PF B
C109	1-164-173-91	CAP, CERAMIC 3900PF B (1608)
C110	1-164-173-91	CAP, CERAMIC 3900PF B (1608)
C111	1-115-467-91	CAP, CHIP CERAMIC0.22MF B (1608)
C127	1-162-927-91	CAP, CERAMIC 100PF CH (1608)
C128	1-162-927-91	CAP, CERAMIC 100PF CH (1608)
C129	1-162-927-91	CAP, CERAMIC 100PF CH (1608)
C130	1-162-927-91	CAP, CERAMIC 100PF CH (1608)
C140	1-107-826-91	CAP, CHIP CERAMIC 100000PF B
C141	1-107-826-91	CAP, CHIP CERAMIC 100000PF B
C149	1-162-964-91	CAP, CHIP CERAMIC 10000PF B (1608)
C150	1-162-927-91	CAP, CERAMIC 100PF CH (1608)
C151	1-162-927-91	CAP, CERAMIC 100PF CH (1608)
C152	1-162-927-91	CAP, CERAMIC 100PF CH (1608)
C153	1-162-927-91	CAP, CERAMIC 100PF CH (1608)
C154	1-162-966-91	CAP, CERAMIC 2200PF B (1608)
C155	1-162-966-91	CAP, CERAMIC 2200PF B (1608)
C156	1-162-966-91	CAP, CERAMIC 2200PF B (1608)
C157	1-162-966-91	CAP, CERAMIC 2200PF B (1608)
C158	1-104-913-91	CAP, CHIP TANTALUM ELECT 10MF
C159	1-107-826-91	CAP, CHIP CERAMIC 100000PF B
C160	1-104-913-91	CAP, CHIP TANTALUM ELECT 10MF
C161	1-107-826-91	CAP, CHIP CERAMIC 100000PF B
C163	1-107-826-91	CAP, CHIP CERAMIC 100000PF B
C165	1-107-826-91	CAP, CHIP CERAMIC 100000PF B
C166	1-104-851-91	CAP, CHIP TANTALUM ELECT 10MF
C167	1-107-826-91	CAP, CHIP CERAMIC 100000PF B
C169	1-107-826-91	CAP, CHIP CERAMIC 100000PF B
C171	1-107-826-91	CAP, CHIP CERAMIC 100000PF B
C172	1-104-913-91	CAP, CHIP TANTALUM ELECT 10MF
C173	1-107-826-91	CAP, CHIP CERAMIC 100000PF B
C174	1-162-975-91	CAP, CERAMIC 24PF CH (1608)
C175	1-164-677-91	CAP, CERAMIC 33000PF B (1608)

Ref.	Part No.	Description
C176	1-107-826-91	CAP, CHIP CERAMIC 100000PF B
C177	1-107-826-91	CAP, CHIP CERAMIC 100000PF B
C178	1-107-826-91	CAP, CHIP CERAMIC 100000PF B
C179	1-107-826-91	CAP, CHIP CERAMIC 100000PF B
C180	1-107-826-91	CAP, CHIP CERAMIC 100000PF B
C181	1-107-826-91	CAP, CHIP CERAMIC 100000PF B
C183	1-107-826-91	CAP, CHIP CERAMIC 100000PF B
C184	1-164-677-91	CAP, CERAMIC 33000PF B (1608)
C185	1-107-826-91	CAP, CHIP CERAMIC 100000PF B
C186	1-164-392-91	CAP, CERAMIC 390PF CH (1608)
C187	1-115-467-91	CAP, CHIP CERAMIC0.22MF B (1608)
C188	1-164-677-91	CAP, CERAMIC 33000PF B (1608)
C189	1-164-739-91	CAP, CERAMIC 560PF CH (1608)
C190	1-164-739-91	CAP, CERAMIC 560PF CH (1608)
C196	1-162-964-91	CAP, CHIP CERAMIC 1000PF B (1608)
C197	1-115-467-91	CAP, CHIP CERAMIC0.22MF B (1608)
C198	1-125-837-91	CAP, CHIP CERAMIC 1MF B (1608)
C199	1-125-837-91	CAP, CHIP CERAMIC 1MF B (1608)
C402	1-164-505-91	CAP, CHIP CERAMIC 2.2MF F (2012)
C403	1-113-642-91	CAP, CHIP TANTALUM ELECT 47MF
C617	1-164-156-91	CAP, CHIP CERAMIC 0.1MF F (1608)
C618	1-164-245-91	CAP, CERAMIC 15000PF B (1608)
C620	1-164-677-91	CAP, CERAMIC 33000PF B (1608)
C622	1-164-156-91	CAP, CHIP CERAMIC 0.1MF F (1608)
C700	1-162-970-91	CAP, CERAMIC 10000PF B (1608)
C701	1-162-970-91	CAP, CERAMIC 10000PF B (1608)
C702	1-162-970-91	CAP, CERAMIC 10000PF B (1608)
C703	1-164-156-91	CAP, CHIP CERAMIC 0.1MF F (1608)
C704	1-164-156-91	CAP, CHIP CERAMIC 0.1MF F (1608)
C705	1-164-156-91	CAP, CHIP CERAMIC 0.1MF F (1608)
C706	1-127-692-91	CAP, CHIP CERAMIC 10MF B 3225
C707	1-163-038-91	CAP, CERAMIC 100000PF F (2012)
C710	1-164-156-91	CAP, CHIP CERAMIC 0.1MF F (1608)
C713	1-164-156-91	CAP, CHIP CERAMIC 0.1MF F (1608)
C717	1-163-009-91	CAP, CHIP CERAMIC 1000PF B (2012)
C718	1-107-823-91	CAP, CERAMIC 470000PF B (2012)
C719	1-163-038-91	CAP, CERAMIC 100000PF F (2012)
C720	1-127-692-91	CAP, CHIP CERAMIC 10MF B 3225
C722	1-163-009-91	CAP, CHIP CERAMIC 1000PF B (2012)
C727	1-162-964-91	CAP, CHIP CERAMIC 1000PF B (1608)
C728	1-164-230-91	CAP, CERAMIC 220PF CH (1608)
C729	1-164-230-91	CAP, CERAMIC 220PF CH (1608)
C730	1-164-230-91	CAP, CERAMIC 220PF CH (1608)
C731	1-164-230-91	CAP, CERAMIC 220PF CH (1608)
		<CONNECTOR>
CN100	1-794-237-21	CONNECTOR, FFC/FPC 30P
CN101	1-770-619-41	PIN, CONNECTOR 2P
CN102	1-770-619-21	PIN, CONNECTOR 2P
CN103	1-770-619-81	PIN, CONNECTOR 2P
CN104	1-815-089-21	CONNECTOR, FPC LIF(NON-ZIF)13P
CN105	1-779-206-21	CONNECTOR, FFC(LIF(NON-ZIF))4P
CN109	1-793-823-21	CONNECTOR, FFC/FPC (ZIF) 54P
		<DIODE>
D100	8-719-065-68	DIODE MAZF04700LS0
D101	8-719-065-68	DIODE MAZF04700LS0
		<FERRITE BEAD>
FB001	1-469-562-21	FERRITE, EMI (SMD)
FB002	1-469-562-21	FERRITE, EMI (SMD)
		<IC>
IC101	8-759-685-15	IC SP3727ACA0PMR
IC401	8-759-391-69	IC MC78M05CDTRK
IC602	8-759-693-13	IC NJM12904V(TE2)

Ref.	Part No.	Description
IC607	8-759-712-63	IC MC74VHC1G66DFT1
IC700	8-759-588-60	IC BA6664FM-E2
IC701	8-759-370-11	IC NJM2100V-TE2
IC703	8-759-658-87	IC BA5810FP-E2
		<INDUCTOR>
L100	1-469-524-91	INDUCTOR 4.7UH (NLFV25)
L101	1-469-524-91	INDUCTOR 4.7UH (NLFV25)
L102	1-414-394-41	INDUCTOR (SMD) 2.2UH
		<COIL>
LF001	1-416-405-21	FILTER, CHIP EMI (COMMON MODE)
		<LINK>
△ PS001	1-533-915-41	RINK, CHIP IC
△ PS002	1-533-282-21	LINK, IC
△ PS003	1-576-282-21	RINK, SQUARE CHIP TYPE IC
		<TRANSISTOR>
Q100	8-729-031-35	TRANSISTOR 2SK2034-TE85L
Q101	8-729-103-96	TRANSISTOR 2SB798-T1DL
Q102	8-729-029-13	TRANSISTOR DTC143ZUA-T106
Q103	8-729-031-35	TRANSISTOR 2SK2034-TE85L
Q104	8-729-103-96	TRANSISTOR 2SB798-T1DL
Q105	8-729-048-50	TRANSISTOR 2SK3018-T106
Q107	8-729-048-50	TRANSISTOR 2SK3018-T106
Q111	8-729-048-50	TRANSISTOR 2SK3018-T106
Q112	8-729-905-38	TRANSISTOR 2SC4081T106R
Q113	8-729-905-38	TRANSISTOR 2SC4081T106R
Q700	8-729-029-13	TRANSISTOR DTC143ZUA-T106
		<RESISTOR>
R104	1-216-158-91	RES, CHIP 22 (3216)
R105	1-216-158-91	RES, CHIP 22 (3216)
R106	1-216-809-91	RES, CHIP 100 (1608)
R107	1-216-833-91	RES, CHIP 10K (1608)
R108	1-216-797-91	RES, CHIP 10 (1608)
R109	1-216-809-91	RES, CHIP 100 (1608)
R110	1-216-833-91	RES, CHIP 10K (1608)
R112	1-216-158-91	RES, CHIP 22 (3216)
R113	1-216-158-91	RES, CHIP 22 (3216)
R114	1-216-797-91	RES, CHIP 10 (1608)
R115	1-218-871-91	RES, CHIP 10K (1608)
R116	1-218-871-91	RES, CHIP 10K (1608)
R117	1-218-881-91	RES, CHIP 27K (1608)
R118	1-218-881-91	RES, CHIP 27K (1608)
R119	1-218-881-91	RES, CHIP 27K (1608)
R121	1-218-890-91	RES, CHIP 62K (1608)
R125	1-218-881-91	RES, CHIP 27K (1608)
R126	1-218-889-91	RES, CHIP 56K (1608)
R130	1-218-873-91	RES, CHIP 12K (1608)
R131	1-216-864-91	CONDUCTOR, CHIP (1608)
R132	1-216-864-91	CONDUCTOR, CHIP (1608)
R133	1-216-864-91	CONDUCTOR, CHIP (1608)
R134	1-216-864-91	CONDUCTOR, CHIP (1608)
R145	1-216-864-91	CONDUCTOR, CHIP (1608)
R146	1-216-864-91	CONDUCTOR, CHIP (1608)</

Ref.	Part No.	Description	
R402	1-216-025-91	RES, CHIP 100	(2012)
R403	1-216-025-91	RES, CHIP 100	(2012)
R404	1-216-025-91	RES, CHIP 100	(2012)
R405	1-216-025-91	RES, CHIP 100	(2012)
R406	1-216-025-91	RES, CHIP 100	(2012)
R407	1-216-025-91	RES, CHIP 100	(2012)
R408	1-216-025-91	RES, CHIP 100	(2012)
R610	1-216-849-91	RES, CHIP 220K	(1608)
R611	1-216-849-91	RES, CHIP 220K	(1608)
R612	1-218-896-91	RES, CHIP 110K	(1608)
R618	1-216-845-91	RES, CHIP 100K	(1608)
R621	1-216-839-91	RES, CHIP 33K	(1608)
R628	1-216-844-91	RES, CHIP 82K	(1608)
R629	1-216-828-91	RES, CHIP 3.9K	(1608)
R751	1-216-815-91	RES, CHIP 330	(1608)
R752	1-216-810-91	RES, CHIP 120	(1608)
R753	1-216-298-91	RES, CHIP 2.2	(2012)
R754	1-216-298-91	RES, CHIP 2.2	(2012)
R755	1-216-298-91	RES, CHIP 2.2	(2012)
R756	1-216-298-91	RES, CHIP 2.2	(2012)
R777	1-216-845-91	RES, CHIP 100K	(1608)
R782	1-216-864-91	CONDUCTOR, CHIP	(1608)
R785	1-218-887-91	RES, CHIP 47K	(1608)
R787	1-218-892-91	RES, CHIP 75K	(1608)
R788	1-218-887-91	RES, CHIP 47K	(1608)
R791	1-218-892-91	RES, CHIP 75K	(1608)
R792	1-218-899-91	RES, CHIP 150K	(1608)
R793	1-218-899-91	RES, CHIP 150K	(1608)
R794	1-218-899-91	RES, CHIP 150K	(1608)
R795	1-218-899-91	RES, CHIP 150K	(1608)
R796	1-216-864-91	CONDUCTOR, CHIP	(1608)
R797	1-216-864-91	CONDUCTOR, CHIP	(1608)
RB100	1-233-415-21	RES, CHIP NETWORK 10K (3216)	
RB701	1-233-578-21	RES, CHIP NETWORK 47K	
RB702	1-233-578-21	RES, CHIP NETWORK 47K	

A-6712-830-A MOUNTED CIRCUIT BOARD, SW-355

 PLACE CODE #25SW

<CONNECTOR>

CN851	1-794-627-21	CONNECTOR, FFC/FPC 7P
-------	--------------	-----------------------

<DIODE>

D851	8-719-078-90	DIODE CL-165HR/G1-D-T
D852	8-719-080-04	DIODE CL-190UB-X-T

<TRANSISTOR>

Q851	8-729-029-14	TRANSISTOR DTC144EUA-T106
------	--------------	---------------------------

<RESISTOR>

R852	1-216-835-91	RES, CHIP 15K (1608)
R853	1-216-993-91	RES, CHIP 2.4K (1608)

<SWITCH>

S851	1-771-917-21	SWITCH, TACTILE
S852	1-771-917-21	SWITCH, TACTILE

Ref.	Part No.	Description	
		SUPPLIED ACCESSORIES	PLACE CODE #23

	A-6785-133-A	ACCESSORY & PACKING GROUP	#23
Δ AC	1-790-108-21	CORD, POWER	#23
AV	1-792-028-11	CORD, CONNECTION	#23
CONT	1-792-238-62	DS2 ANALOG CONTROLLER	#23
CU2	3-064-713-01	CUSHION 2	#23
CU	3-064-714-01	CUSHION	#23
MA	3-065-169-02	MASTER CARTON, 3 SETS	#23
SH	3-065-170-01	SHEET, PROTECTION	#23
CA	3-065-171-02	INDIVIDUAL CARTON	#23
MABC	3-066-856-01	MASTER CARTON (BC), 3 SETS	#23
TA	3-987-483-11	TAPE, BERODED PREVENTION	#23
PR	A-6784-838-A	PROCESS GROUP, LABEL	#23
		MANUAL BLOCK ASSY	PLACE CODE #23

	A-6785-134-A	MANUAL BLOCK ASSY, INSTRUCTION	#23
BA	3-054-064-01	BAG, POLYETHYLENE	#23
SHES	3-060-161-02	SHEET, ESRB	#23
CA	3-066-021-01	CARD, CUSTOMER INQUIRY	#23
IN	3-066-542-11	MANUAL, INSTRUCTION	#23
CSN	3-066-966-01	CARD, SERVICE NUMBER	#23
BAG	3-701-630-01	BAG, POLYETHYLENE	#23

Ref.	Part No.	Description	

Ref.	Part No.	Description

TABLE OF CONTENTS

**SECTION 1
SPECIFICATIONS**

SCPH-30001 (B, B')

SCPH-30001 (C)

SCPH-30002/30003/30004 (C, C')

1. Table of Contents and Specifications 1

2. Exploded Views

Overall and Main Block 2

MD Block 3

Frame (Upper) Block 4

Switch Block 4

Shield (A) Assembly Block 5

3. Block Diagram 6

4. Printed Wiring Boards and Schematic Diagrams

This Note is Common for Printed Wiring boards and
Schematic diagrams 7

GH-006 8

GH-007 18

GD-013 28

GM-043 30

GI-006 34

SW-355 36

IC Block Diagrams 37

5. Electrical Parts List 41

General

Power requirements
220-240 V AC, 50/60 Hz

Power consumption
50 W

Dimensions
301 × 78 × 182 mm (w/h/d)

Mass
2.4 kg

Inputs/ Outputs on the front

Controller ports (2)

Memory card slots (2)

USB ports (2)

S400 (i-Link) port (1)

Inputs/Outputs on the rear

HDD bay slot (1)

Outputs on the rear

AV Multi out port (1)
RGB, Ycbcr, Y/C, Composite-video,
Audio-L/R, XGA

Digital out port (1)
Optical audio

Supplied accessories

AC power cord (1)

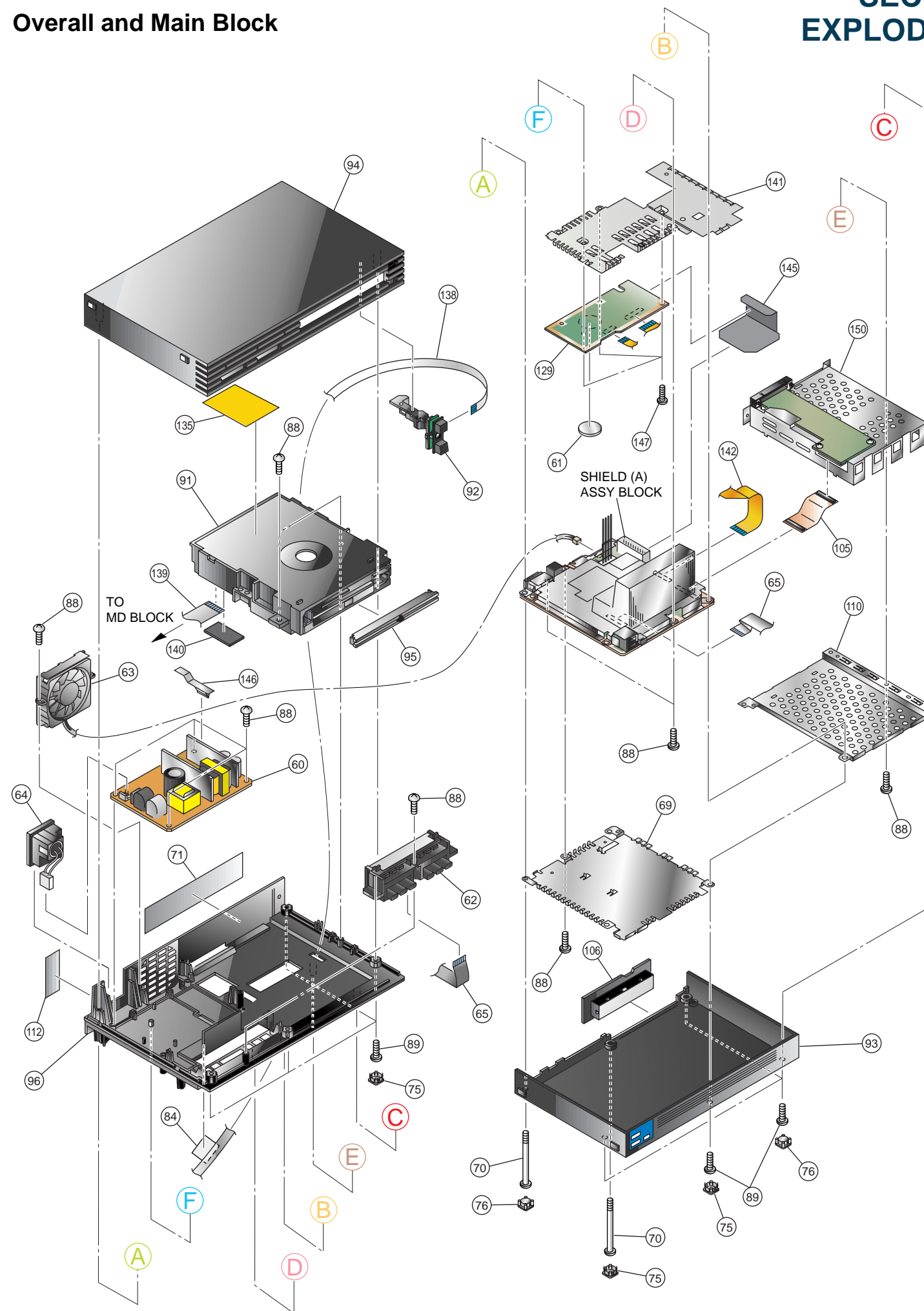
Euro-AV connector (1)
(for SCPH-30003, 30004)

A/V connecting cable (1)

Dualshock2 Analog controller (1)

SECTION 2 EXPLODED VIEWS

Overall and Main Block



CAUTION

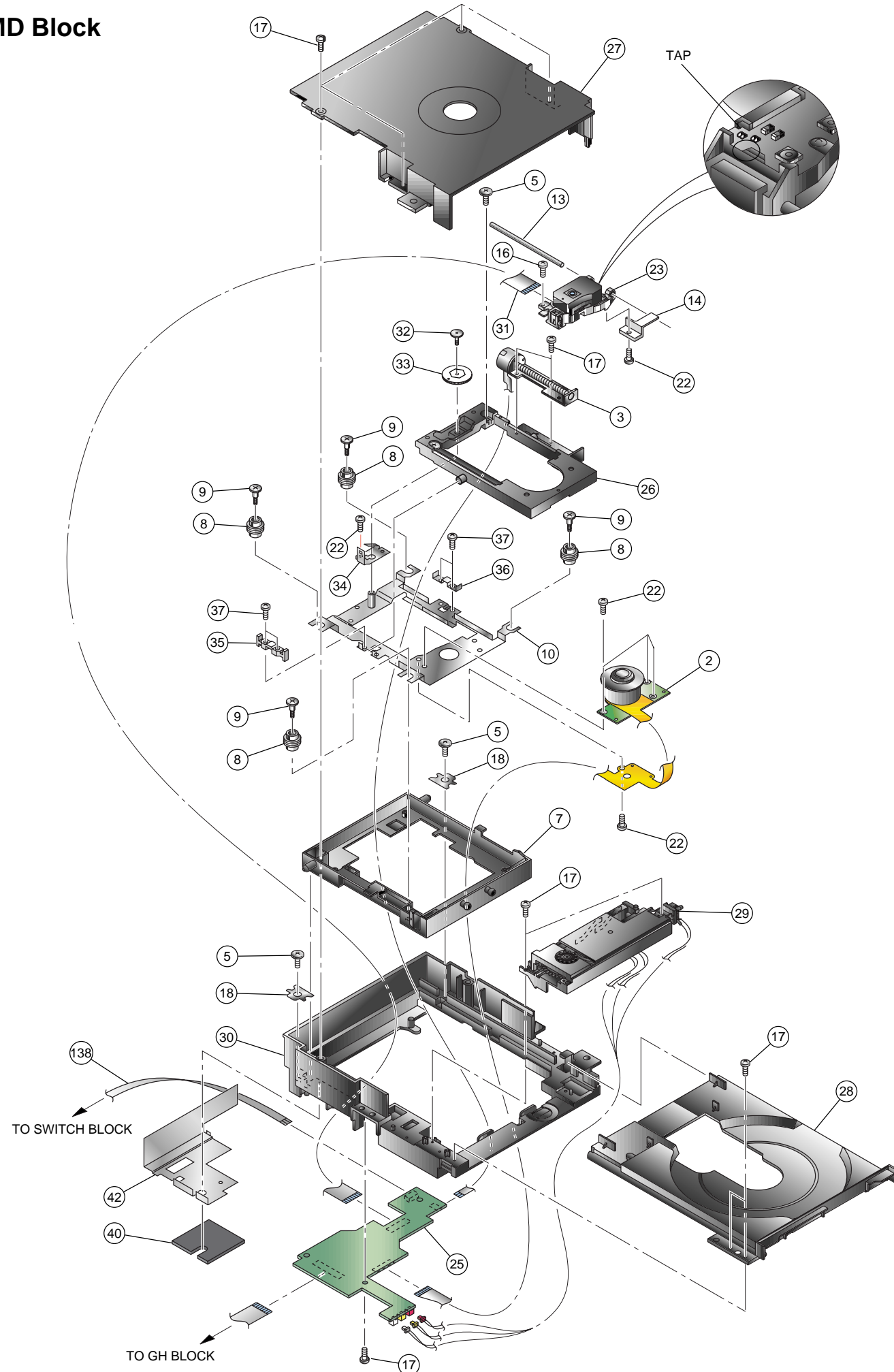
The components identified by mark \triangle or dotted line with mark \triangle are critical for safety. Replace only with part number specified.

CAUTION :
Use of controls or adjustments or performance of procedures other than those specified herein may result in hazardous radiation exposure.

OVERALL AND MAIN BLOCK

Ref-No.	Part No.	Description	Remark	Place code
\triangle 60	1-468-565-21	POWER BLOCK		#00
\triangle 61	1-528-174-41	BATTERY, LITHIUM (CR2032 TYPE)		#25GD
62	1-694-767-11	TERMINAL BOARD (FRONT)		#17
63	1-763-480-11	DC. FAN		#74
\triangle 64	1-771-995-12	SWITCH, POWER (WITH AC INLET)		#00
65	1-792-491-21	CABLE, FLEXIBLE FLAT (FFC-290)		#12
69	3-066-489-01	SHIELD (B)		#16
70	3-059-622-02	SCREW (M3X54), HEAD TAPPING		#87
71	3-066-442-02	LABEL, MODEL NUMBER	for SCPH-30003	#87
71	3-066-445-02	LABEL, MODEL NUMBER	for SCPH-30002	#87
71	3-066-490-02	LABEL, MODEL NUMBER	for SCPH-30004	#87
75	3-059-626-03	COVER, SCREW		#22
76	3-059-627-01	CAP		#22
84	3-067-170-01	TAPE, HARNESS STOPPER		#88
88	3-325-679-21	SCREW, TAPPING +BV 3X12		#87
89	3-325-679-91	SCREW (2 LOCK), +BV TAPPING		#87
91	A-6705-247-A	MD BLOCK ASSY		#10
92	A-6705-235-A	SWITCH BLOCK ASSY		#25SW
93	X-3951-398-1	COVER ASSY, LOWER		#87
94	X-3951-498-1	COVER ASSY, UPPER		#87
95	X-3951-099-1	PLATE ASSY, ORNAMENTAL		#87
96	X-3951-395-1	CHASSIS ASSY		#87
105	1-680-147-11	PWB, FP-324 FLEXIBLE		#12
106	X-3951-317-1	LID ASSY		#87
110	3-066-501-01	FRAME (LOWER)		#16
112	3-066-498-01	TAPE, VOID		#87
\triangle 129	A-6712-863-A	GD-013-21 MOUNT		#25GD
135	3-988-711-02	LABEL, LASER CAUTION		#10
138	1-757-588-11	CABLE, FLAT (FFC-308)		#12
139	1-757-590-11	CABLE, FLAT (FFC-310)		#12
140	3-066-545-01	SHEET (R), ELECTRIC HEAT		#16
141	X-3951-396-1	SHIELD (C) ASSY		#87
142	1-757-589-11	CABLE, FLAT (FFC-309)		#25GD
145	3-066-594-01	SHEET (H), INSULATING		#25GH
146	3-066-609-01	CLIP, SHIELD		#00
147	3-066-488-01	SCREW (M3X9), +BV TAPPING		#25GD
150	A-6705-236-A	FRAME (UPPER) BLOCK ASSY		#87

MD Block



MD BLOCK

Ref-No.	Part No.	Description	Remark	Place code
2	1-763-611-11	MOTOR, DC (SPINDLE)		#10SP
3	1-763-639-11	MOTOR, DC		#10
5	3-059-845-01	SCREW (B2X6.5), SHAFT RETAINER		#10
7	3-065-275-02	FRAME, SUB		#10
8	3-065-277-01	INSULATOR		#10
9	3-065-276-01	SCREW, STEP		#10
10	X-3951-151-1	CHASSIS ASSY, MAIN		#10
13	3-059-854-01	SHAFT, MAIN		#10
14	3-059-855-02	RACK		#10
16	3-060-399-01	SCREW, SKEW		#10
17	3-060-400-01	TAPPING (B2X6.5)		#10
18	3-065-281-01	SHEET, SHAFT RETAINER		#10
22	3-062-728-01	0 PLATE 3 MAIN M2X3.2		#10
△ 23	8-820-141-01	DEVICE, OPTICAL KHS-400B		#10OP
25	A-6712-833-A	GM043MOUNT		#10GM
26	X-3951-152-2	CHASSIS ASSY, SUB		#10
27	X-3951-154-2	BRACKET ASSY, PULLEY		#10
28	X-3951-153-2	TRAY ASSY		#10TR
29	X-3951-156-3	BOX ASSY, GEAR		#10GB
30	3-065-271-03	FRAME, MAIN		#10
31	1-680-370-11	PWB, FLEXIBLE		#10
32	3-065-279-02	SCREW, CAM RETAINER		#10
33	3-065-278-02	CAM, TILT		#10
34	3-067-169-01	SPRING (TILT), PLATE		#10
35	3-065-282-01	GUIDE (L)		#10
36	3-065-283-01	GUIDE (R)		#10
37	3-065-557-01	SCREW (M2X6.0)		#10
38	3-065-274-01	CAM, SLIDE		#10GB
39	3-065-505-0	BELT, RUBBER		#10GB
40	3-067-186-01	SHEET (V), ELECTRIC HEAT		#10
42	X-3951-501-1	HEAT SINK ASSY, MD		#10
138	1-757-588-11	CABLE, FLAT (FFC-308)		#12

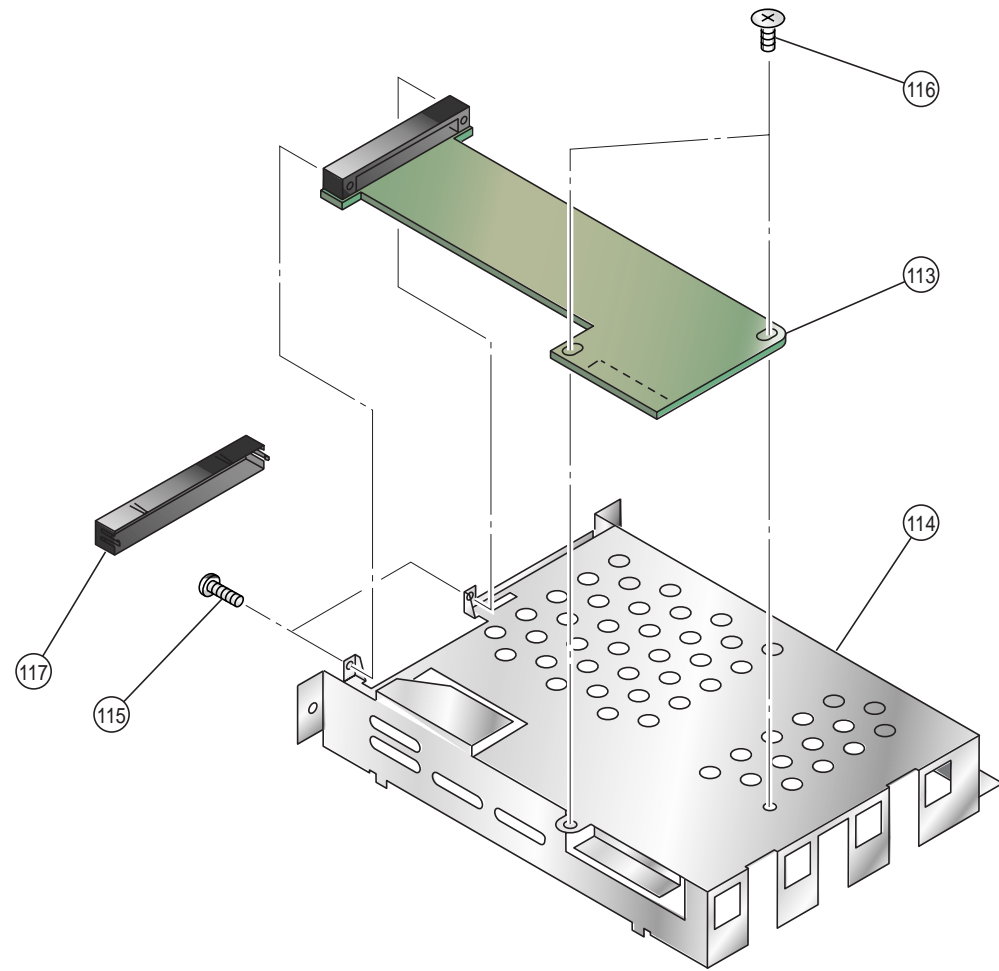
CAUTION

There are 2 taps behind Optical device for prevent the damage from static electricity. these are usually shorted by solder when it shipping factory. When You use the Optical device for repair, You have to open the 2 taps by melting solder.

In s case of the slide-cam (Ref.38) or the rubber belt (Ref.39) in the gear box assy broken, The slide-cam or The rubber belt should be exchanged itself, not Gear box assy.

When you exchange the feed DC-motor or Sub-chassis assy for repair, You have to grease Floil (SG474BY or a similar articles) up to Feed motor sledding gear and Sub-shaft.

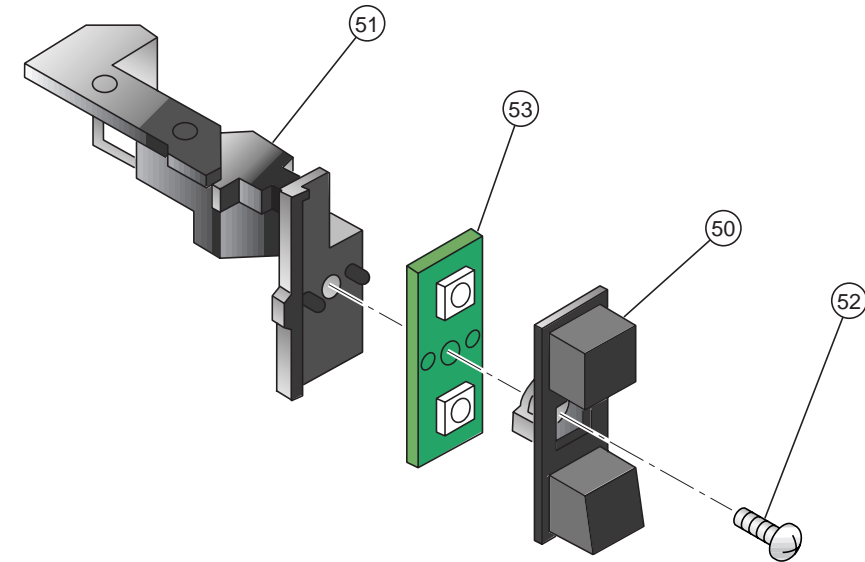
Frame (Upper) Block



FRAME (UPPER) BLOCK

Ref-No.	Part No.	Description	Remark	Place code
113	A-6712-834-A	GI-006 MOUNT		#25GI
114	X-3951-399-1	FRAME (UPPER) ASSY		#87
115	3-065-998-01	SCREW (M2X9), UNIT		#87
116	3-065-999-01	SCREW B (M2X1.6), UNIT		#87
117	3-066-273-01	COVER, CONNECTOR		#25GI

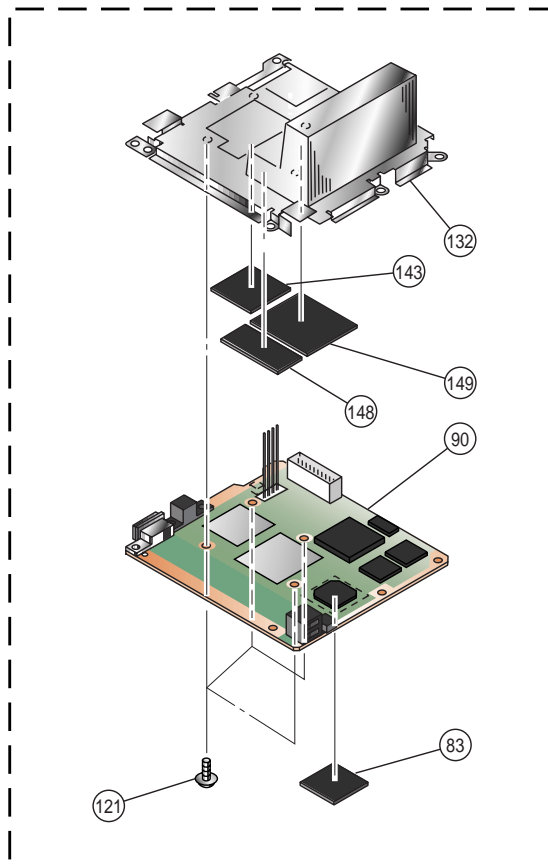
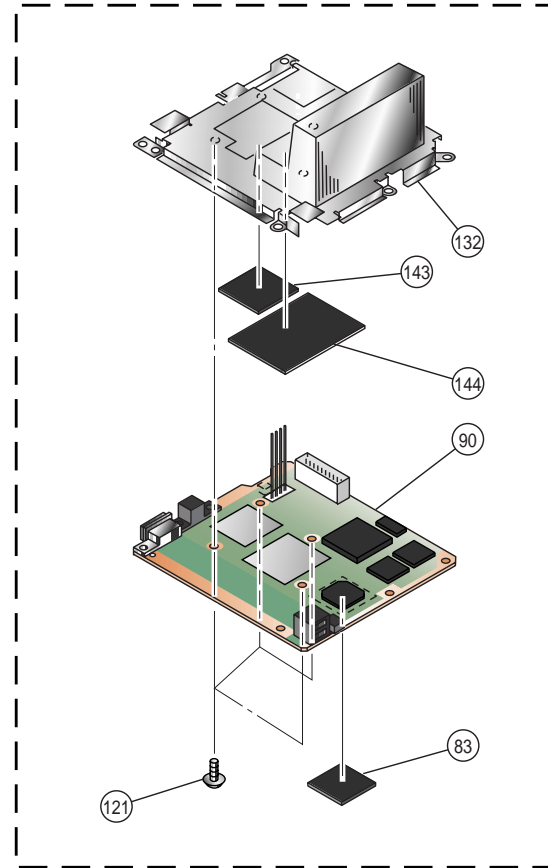
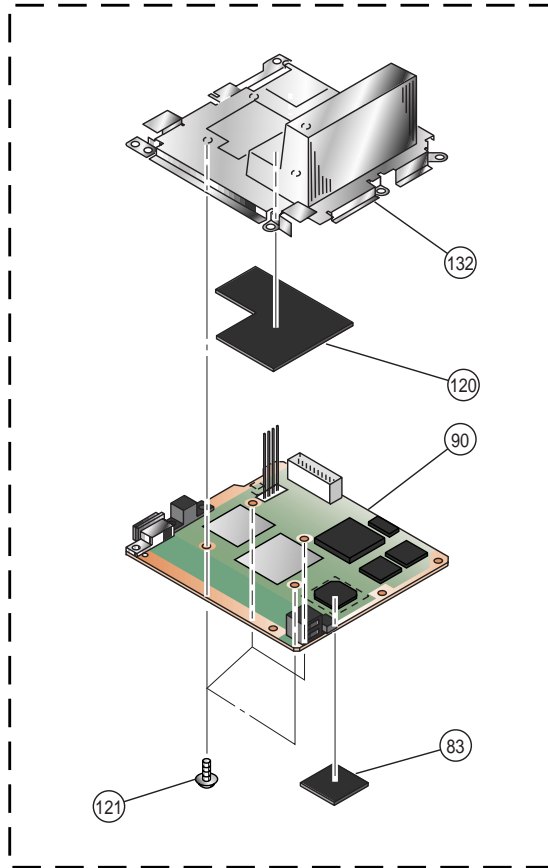
Switch Block



SWITCH BLOCK

Ref-No.	Part No.	Description	Remark	Place code
50	3-059-665-03	BUTTON, SWITCH		#25SW
51	3-059-666-05	BRACKET, SWITCH		#25SW
52	7-685-105-11	TPG +P 2X8, TYPE 2, NON-SLIT		#25SW
53	A-6712-830-A	SW-355 MOUNT		#25SW

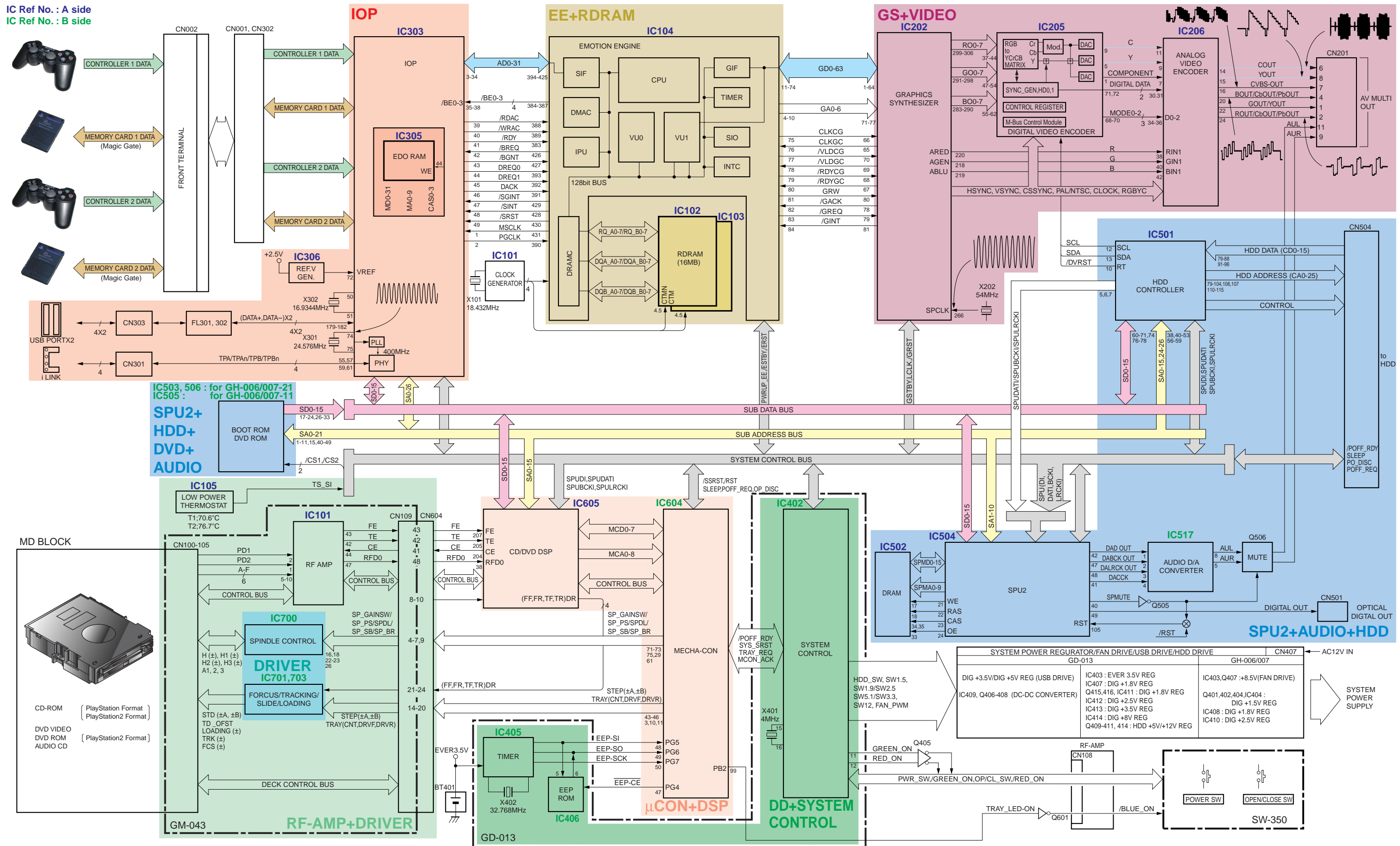
Shield (A) Assembly Block



SHIELD (A) ASSEMBLY BLOCK

Ref-No.	Part No.	Description	Remark	Place code
83	3-060-388-01	SHEET, FERRITE		#87
90	A-6712-838-A	GH-006 MOUNT		#25GH
90	A-6712-856-A	GH-006 MOUNT		#25GH
90	A-6712-831-A	GH-006-11 MOUNT		#25GH
90	A-6712-835-A	GH-006-21 MOUNT		#25GH
90	A-6712-836-A	GH-006-11 MOUNT		#25GH
90	A-6712-837-A	GH-006-21 MOUNT		#25GH
90	A-6712-857-A	GH-007-11 MOUNT		#25GH
90	A-6712-858-A	GH-007-21 MOUNT		#25GH
90	A-6712-860-A	GH-007-11 MOUNT		#25GH
90	A-6712-861-A	GH-007-21 MOUNT		#25GH
120	3-059-652-01	SHEET (A), ELECTRIC HEAT		#87
121	3-061-369-01	SCREW (M2X6), PAN		#25GI
132	X-3951-394-1	SHIELD (A) ASSY		#87
143	3-066-277-01	SHEET (P), ELECTRIC HEAT		#25GH
144	3-066-278-01	SHEET (Q), ELECTRIC HEAT		#25GH
148	3-066-278-02	SHEET (Q), ELECTRIC HEAT		#87
149	3-066-678-01	SHEET (R), ELECTRIC HEAT		#87


SECTION 3 BLOCK DIAGRAM



SECTION 4 PRINTED WIRING BOARDS AND SCHEMATIC DIAGRAMS

THIS NOTE IS COMMON FOR PRINTED WIRING BOARDS AND SCHEMATIC DIAGRAMS.

Note on Printed Wiring Boards :

- Through hole is omitted.
-  : Pattern on the side which is seen.

Note on Schematic Diagram :

- Use caution when replacing chip parts.
New parts must be attached after removal of chip.
Be careful not to heat the minus side of tantalum capacitor, because it is damaged by the heat.
- All capacitors are in μF unless otherwise noted. pF : $\mu\mu\text{F}$ 50 WV or less are not indicated except for electrolytics and tantalums.
- All resistors are in Ω and 1/4 W (Chip resistors : 1/10W) unless otherwise specified.
- Chip resistors are 1/8 W or 1/10 W unless otherwise noted.
k Ω : 1000 Ω , M Ω : 1000 k Ω .








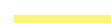





Note :

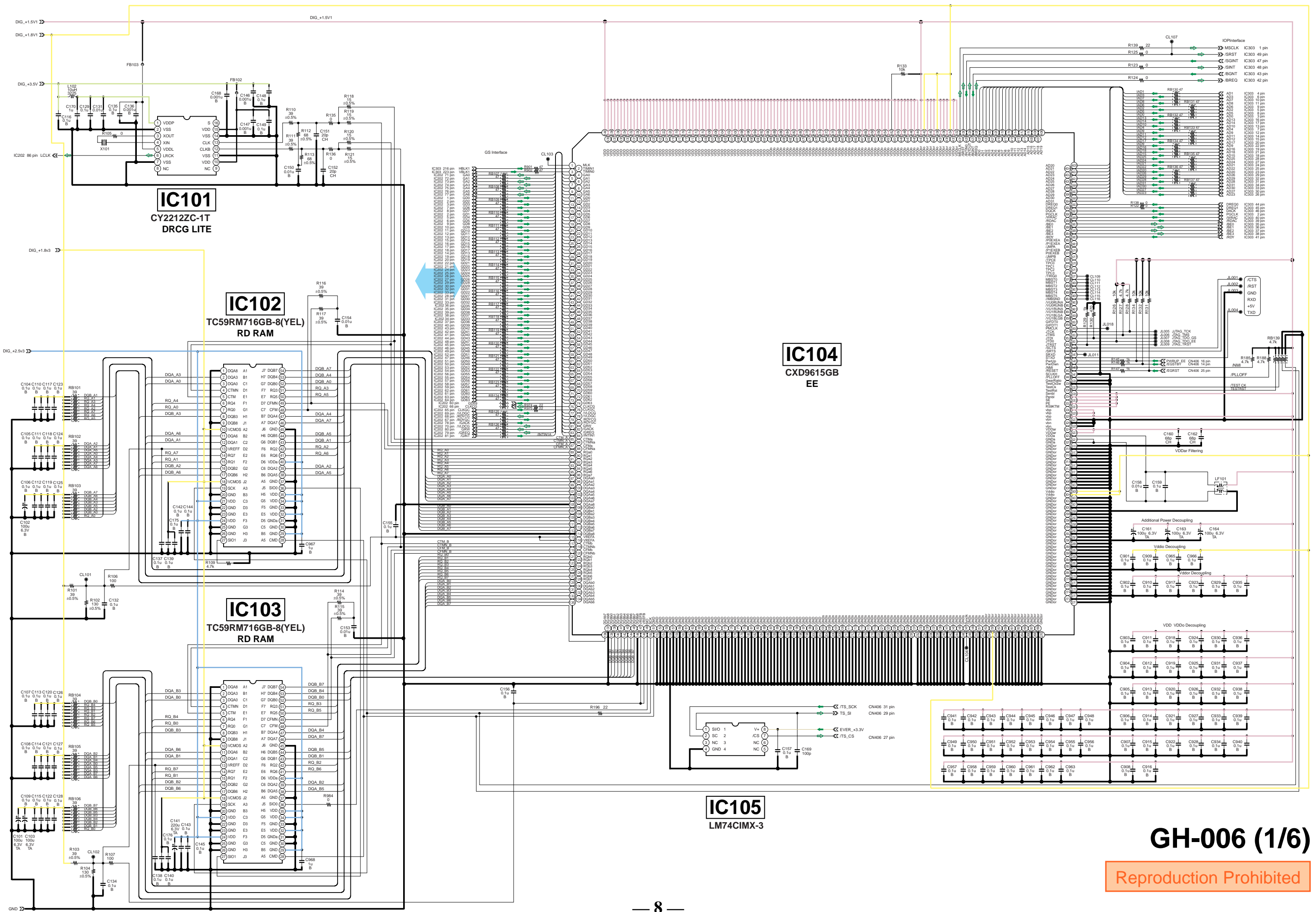
The components identified by mark \triangle or dotted line with mark \triangle are critical for safety. Replace only with part number specified.

Note :

Les composants identifiés par une marque \triangle sont critiques pour la sécurité. Ne les remplacer que par une pièce portant le numéro spécifié.

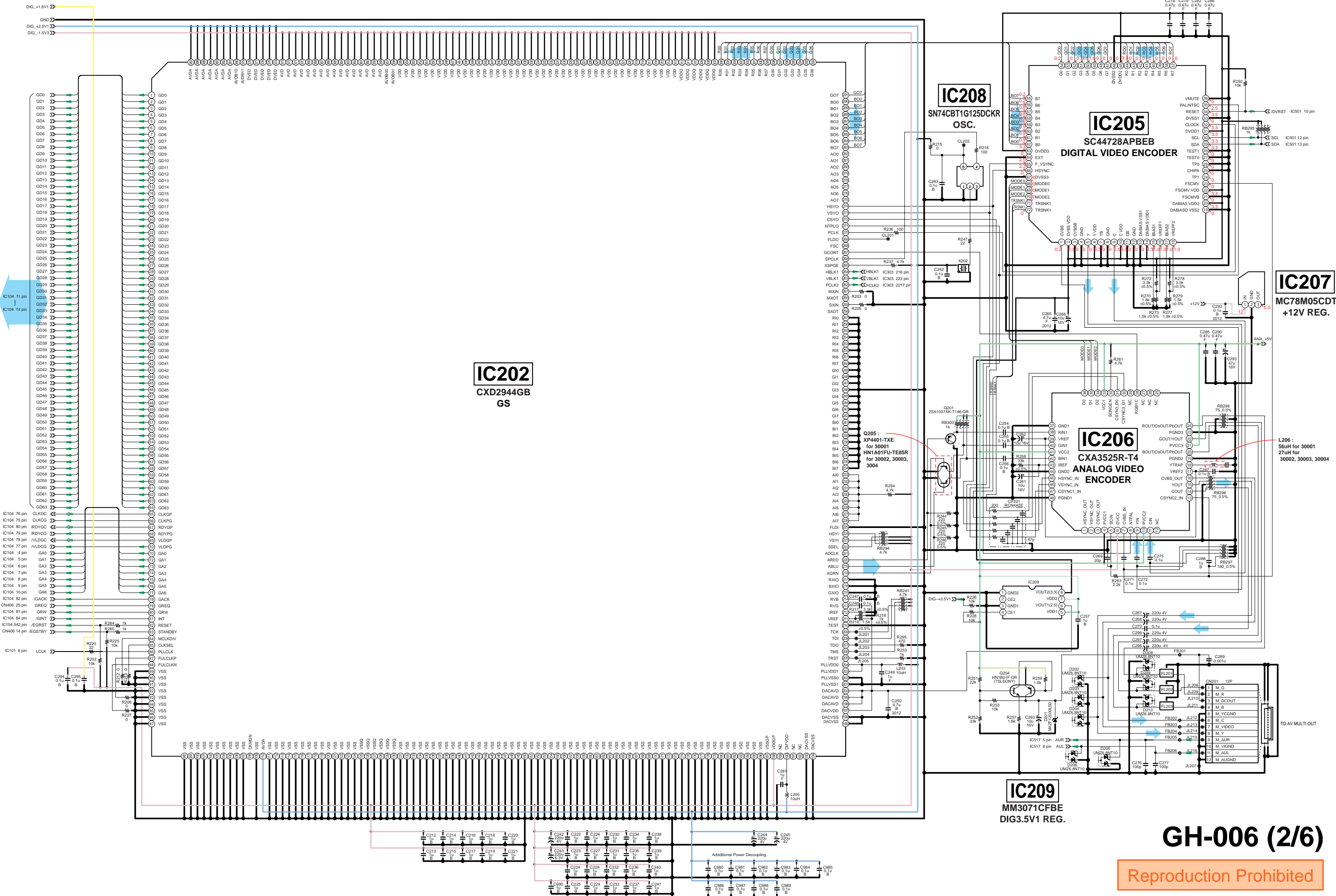
Note on DC Power line :

- | | |
|--|---|
| <ul style="list-style-type: none"> • +12V :  • +8.0V :  • +5.0V :  • +3.5V :  • +3.4V :  | <ul style="list-style-type: none"> • +3.3V :  • +2.5V :  • +1.8V :  • +1.7V :  • +1.5V :  |
| <ul style="list-style-type: none"> • IN :  • OUT :  | <ul style="list-style-type: none"> • Main Signal Line :  |



GH-006 (1/6)

Reproduction Prohibited



IC104 11 pin
IC104 74 pin

IC104 76 pin
IC104 75 pin
IC104 80 pin
IC104 79 pin
IC104 78 pin
IC104 77 pin
IC104 4 pin
IC104 5 pin
IC104 6 pin
IC104 7 pin
IC104 8 pin
IC104 9 pin
IC104 10 pin
IC104 82 pin
CN406 25 pin
IC104 81 pin
IC104 84 pin
IC104 342 pin
CN406 14 pin

IC101 6 pin

IC202
CXD2944GB
GS

IC208
SN74CBT1G125DCR
OSC.

IC205
SC44728APBEB
DIGITAL VIDEO ENCODER

IC207
MC78M05CDT
+12V REG.

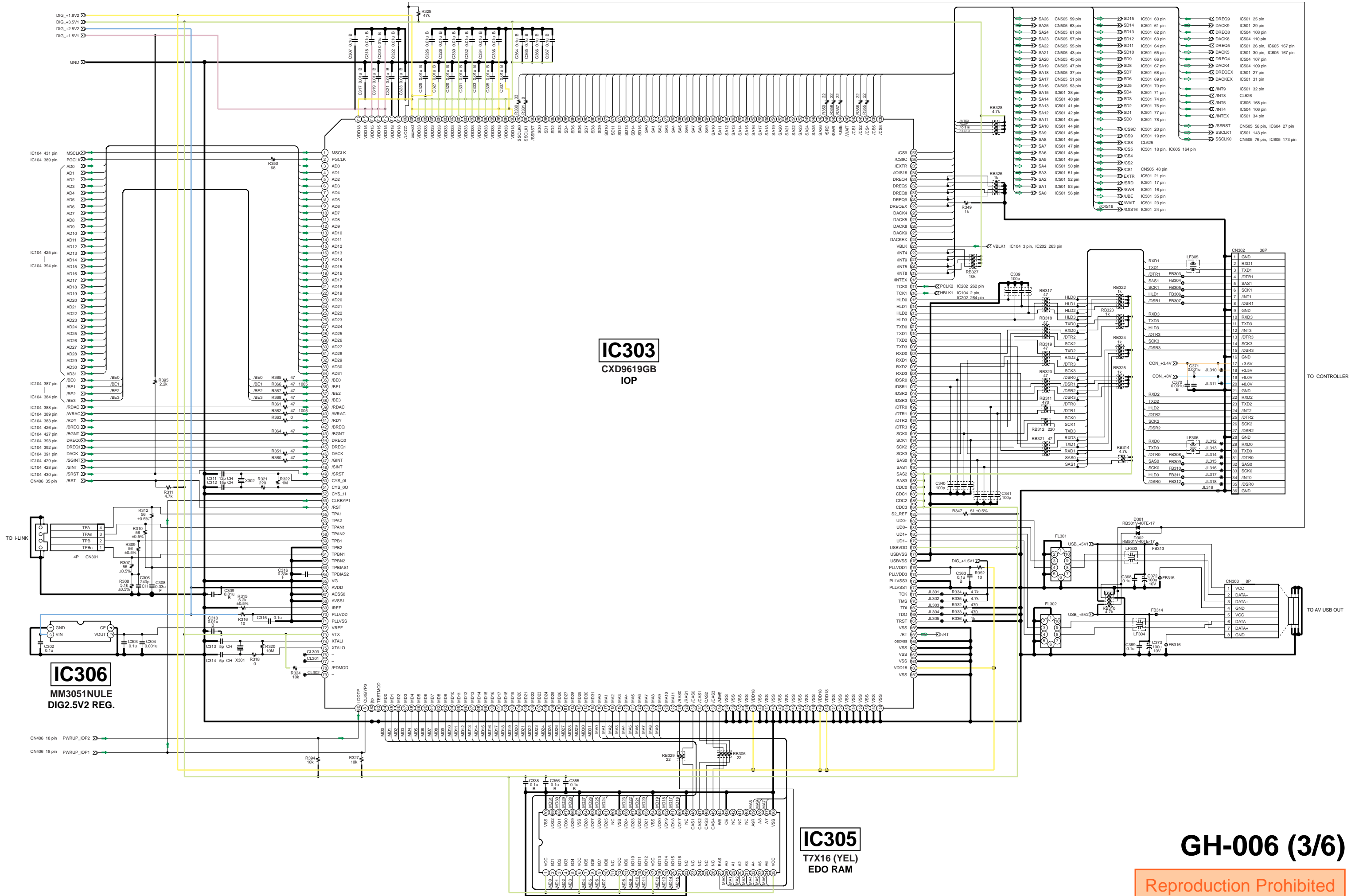
IC206
CXA3525R-T4
ANALOG VIDEO ENCODER

IC209
MM3071CFBE
DIG3.5V1 REG.

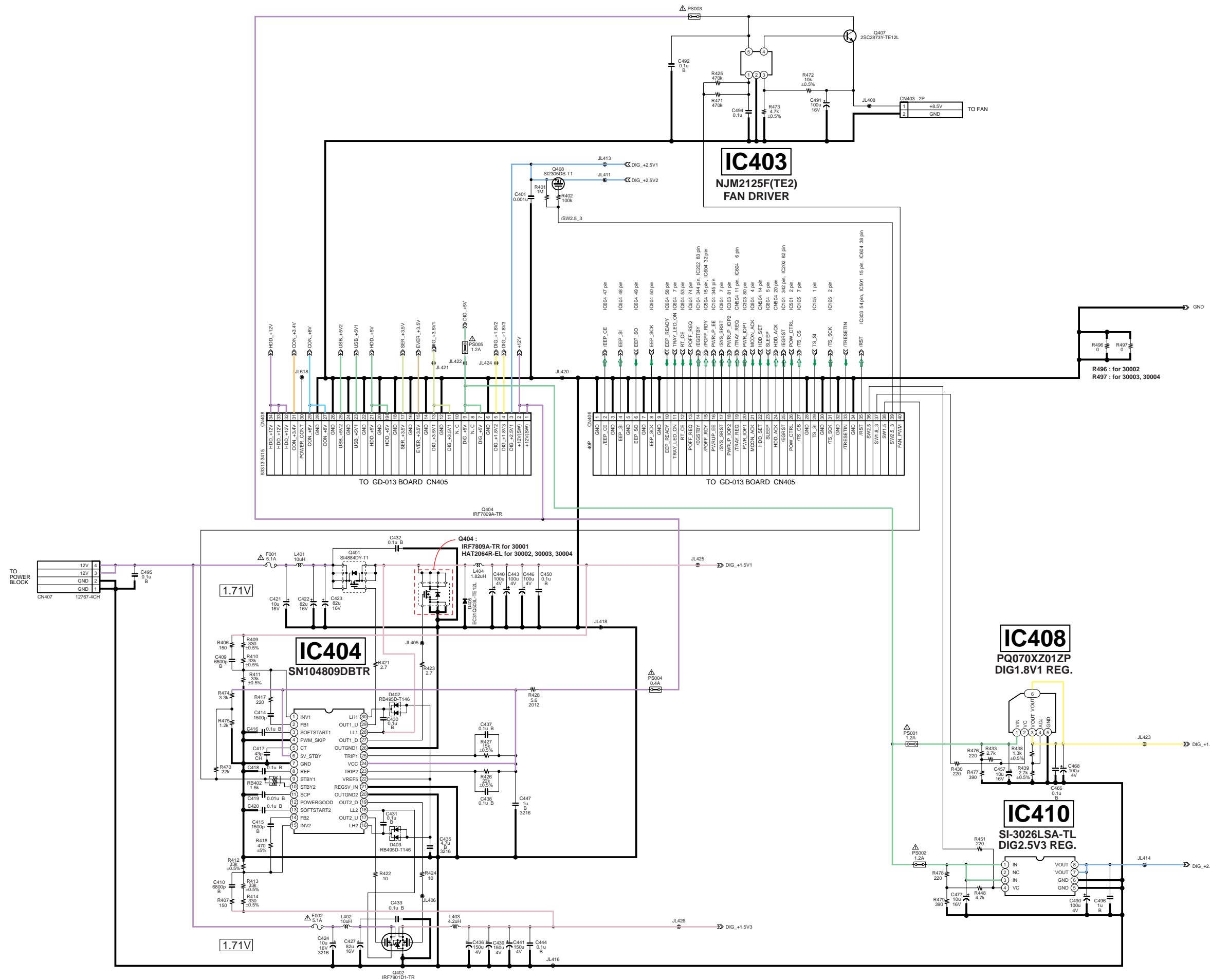
L206 :
55uH for 30001
27uH for 30002, 30003, 30004

GH-006 (2/6)

Reproduction Prohibited



Reproduction Prohibited



GH-006 (4/6)

Reproduction Prohibited

IC518 : for GH-006-11

IC518
TC7WB125FK 9TE85R)

C526, C543, R527 :
for GH-006-11 (30001) and
GH-006-21 (30002, 30003, 30004)

IC503

IC503
MRBOOT ROM

IC506

IC506
MR2DVD ROM

IC506 MR27V1602E-44TPZ020 : for GH-006-11 (30002)
MR27V1602E-45TPZ020 : for GH-006-11 (30003, 30004)
MR27V3202E-25TPZ020 : for GH-006-11 (30002, 30003, 30004)
MR27V1602E-23TPZ020 : for GH-006-11 (30001)

IC502
SDMN18165CTM6S
DRAM

IC504
CXD2942AR
SPU2

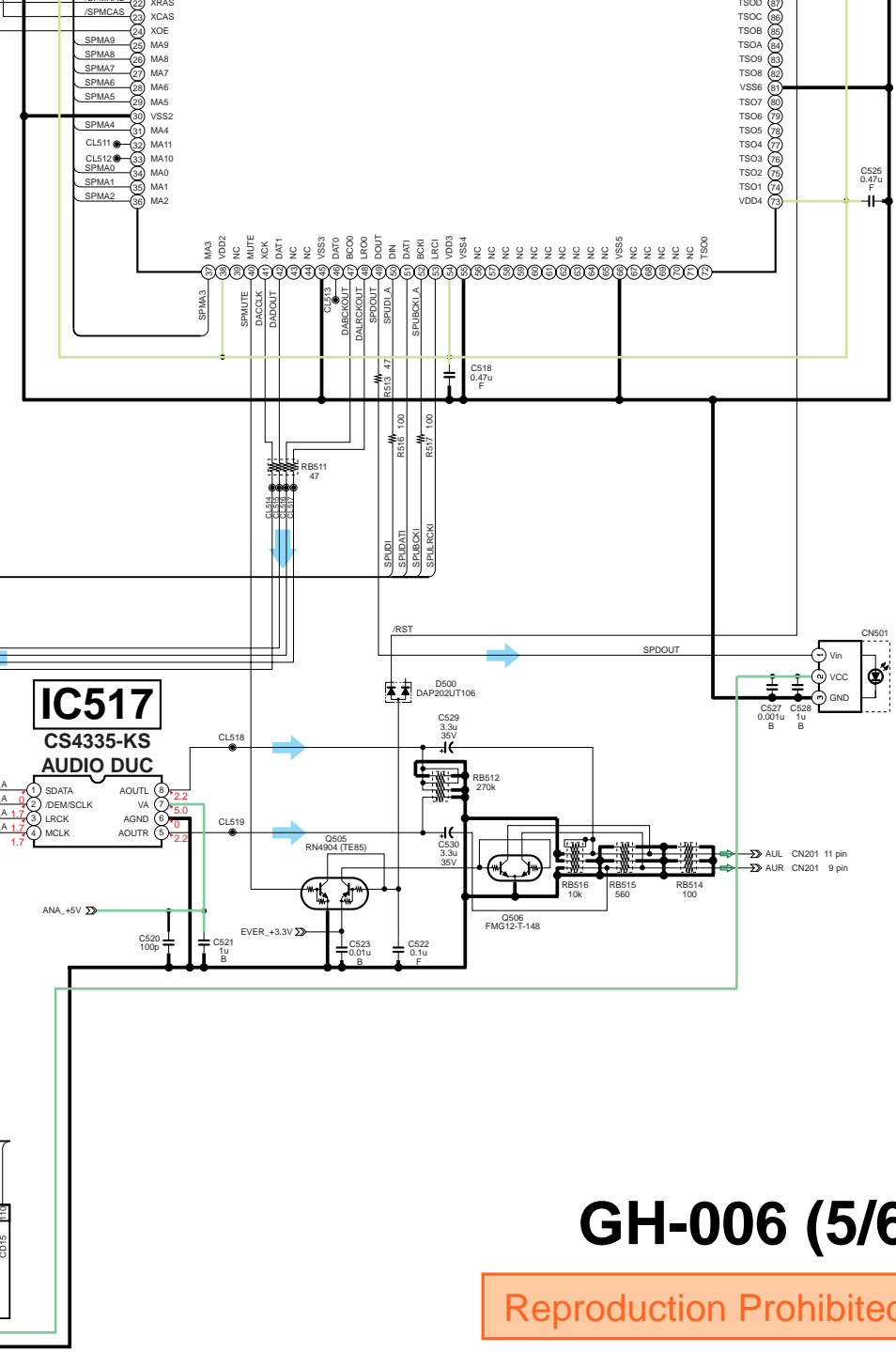
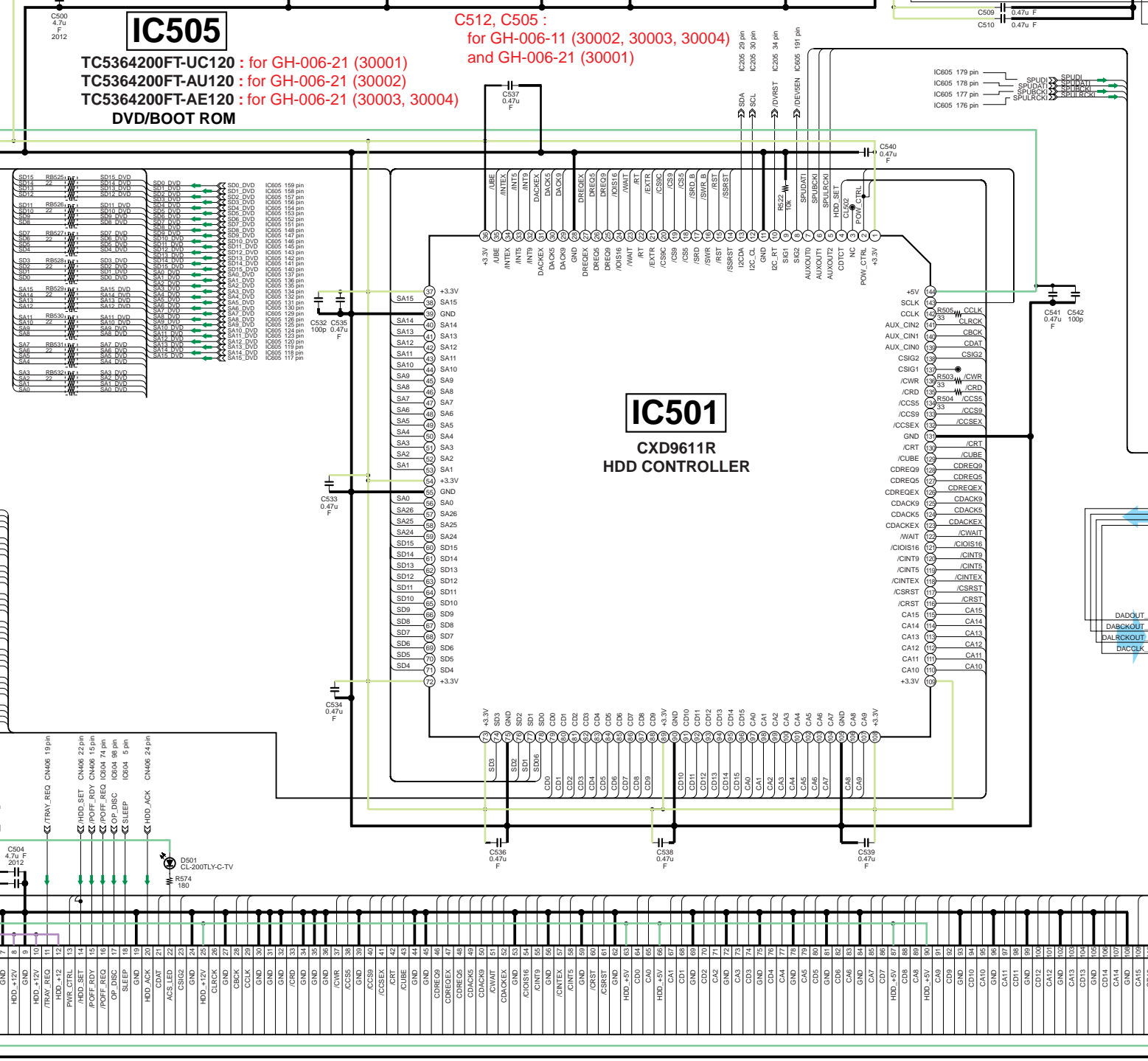
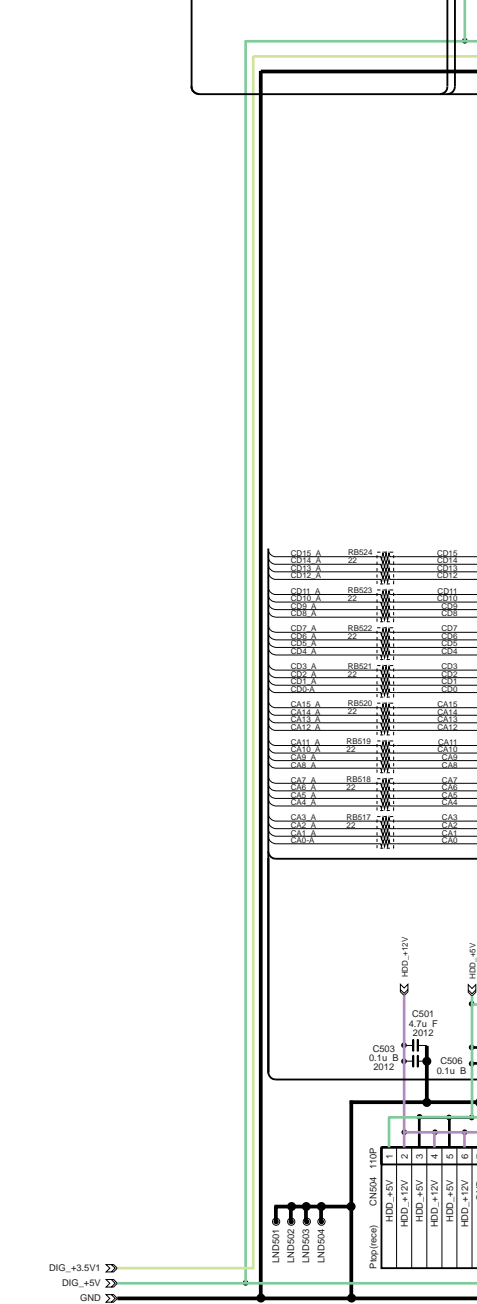
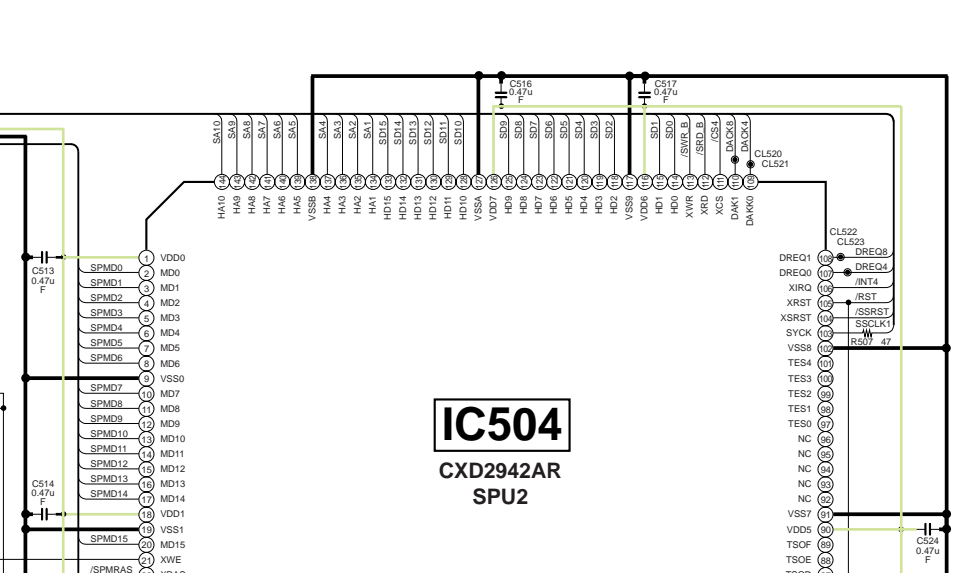
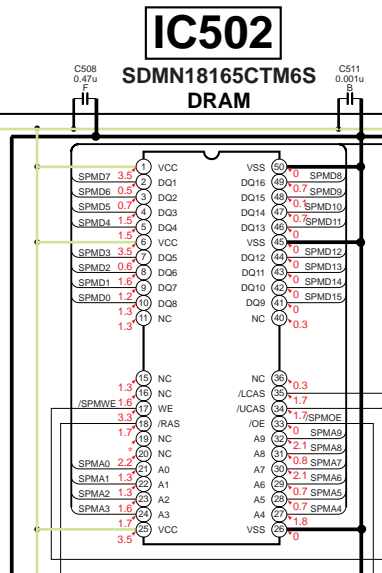
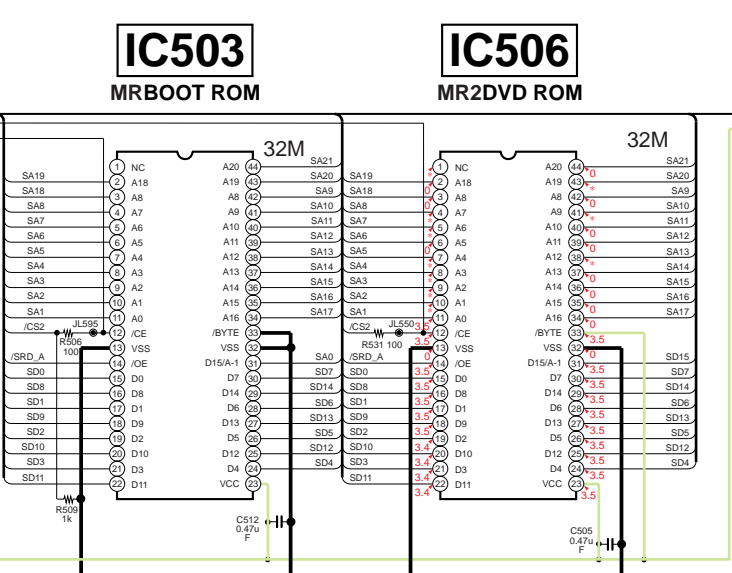
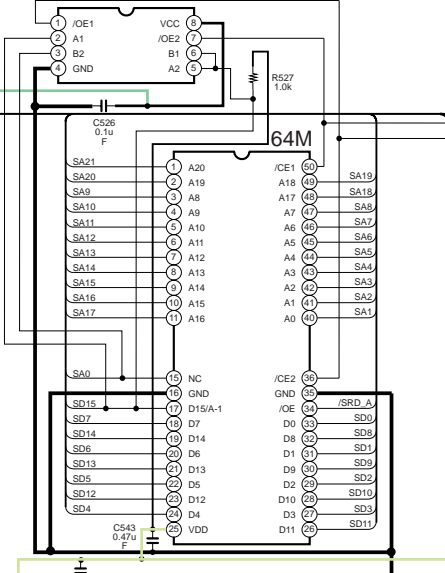
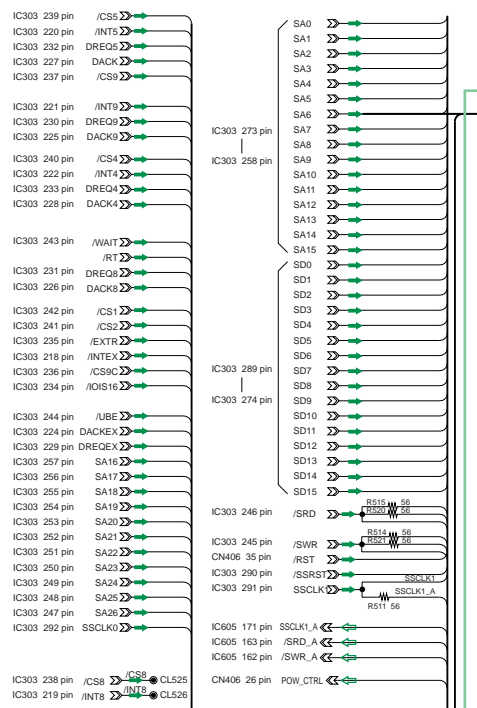
IC505

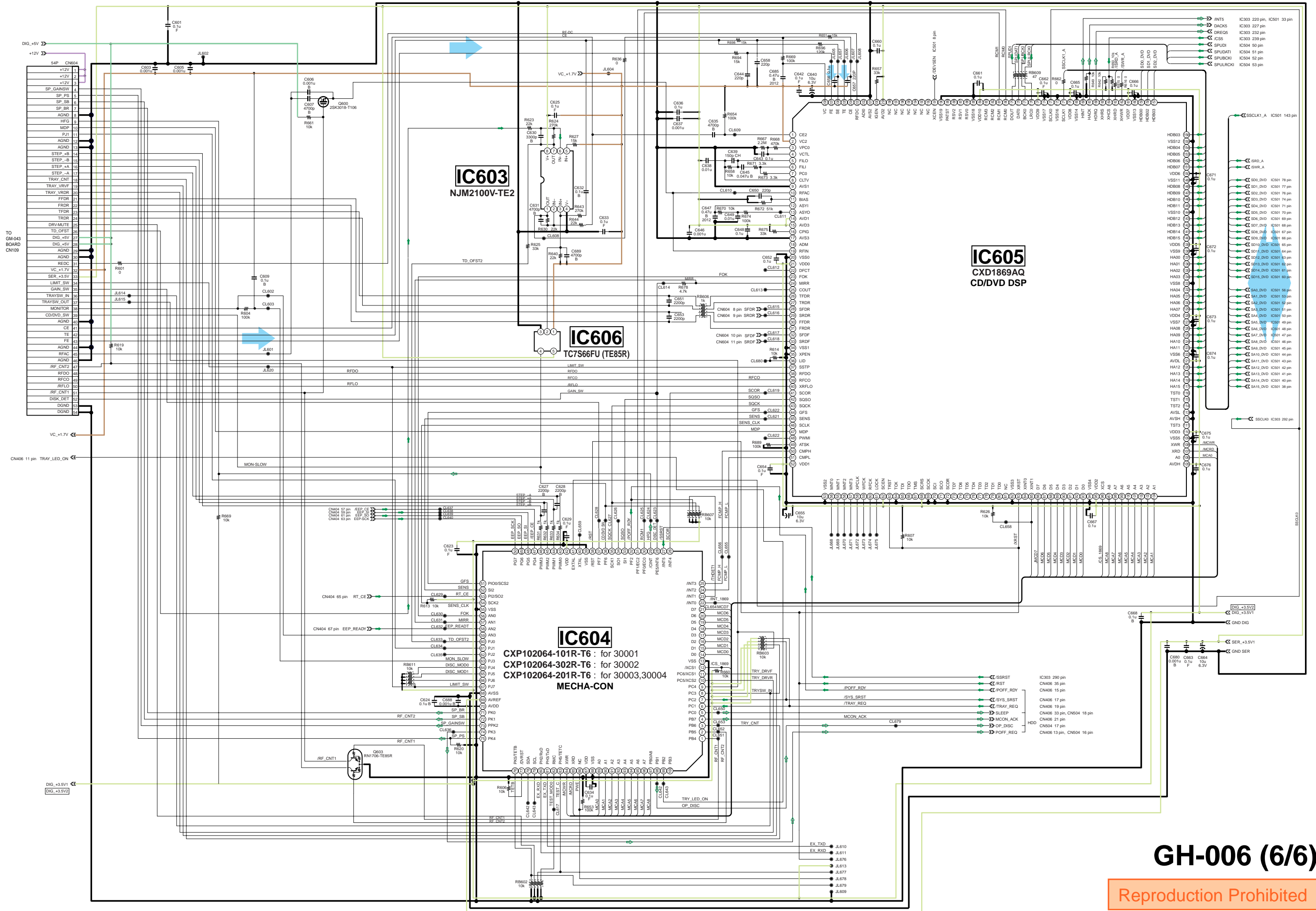
TC5364200FT-AU120 : for GH-006-21 (30001)
TC5364200FT-AU120 : for GH-006-21 (30002)
TC5364200FT-AE120 : for GH-006-21 (30003, 30004)
DVD/BOOT ROM

C512, C505 :
for GH-006-11 (30002, 30003, 30004)
and GH-006-21 (30001)

IC501
CXD9611R
HDD CONTROLLER

IC517
CS4335-KS
AUDIO DUC





TO GM-043 BOARD CN109

CN406 11 pin TRAY_LED_ON

DIG +3.5V1
DIG +3.5V2

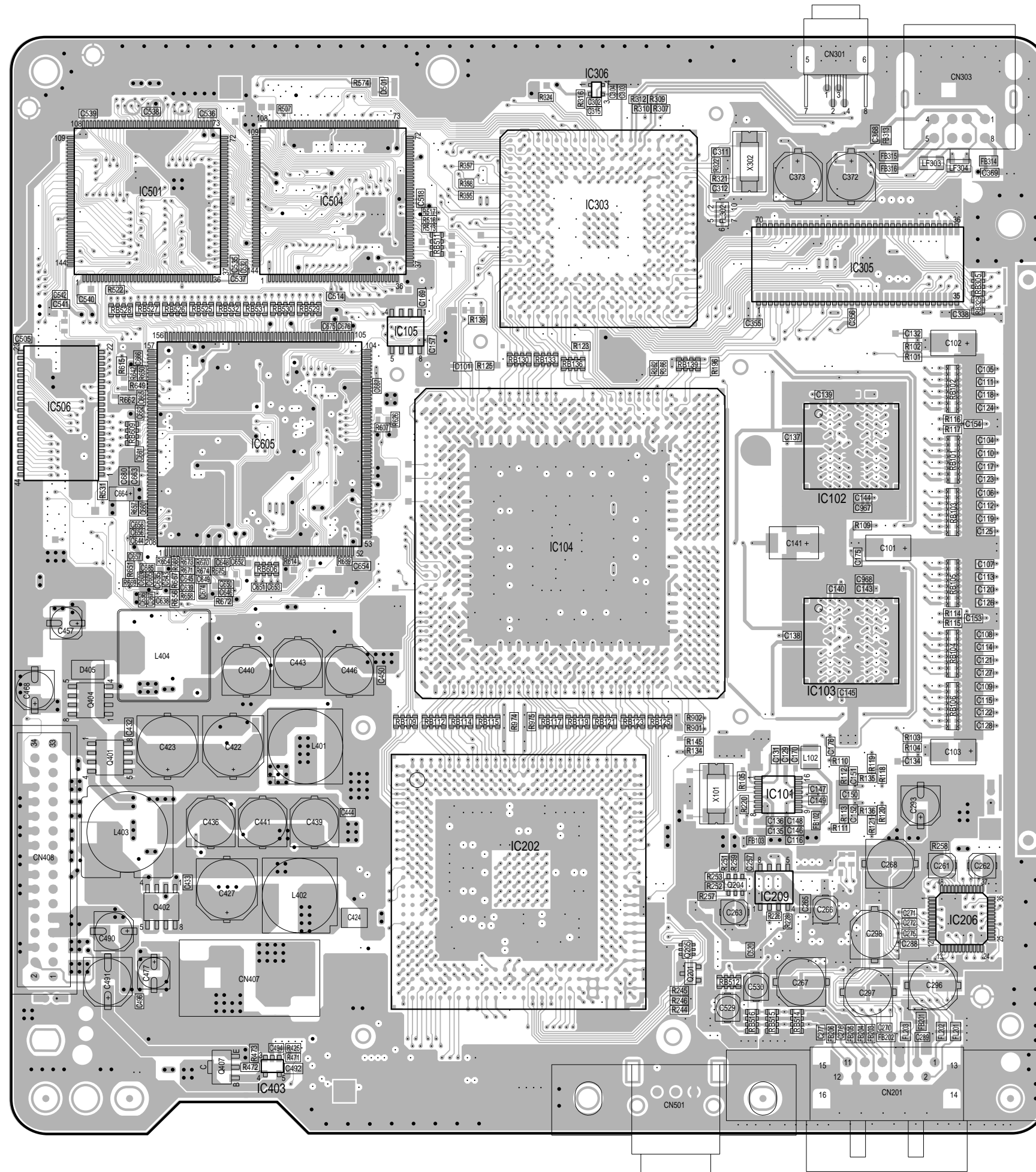
- IC303 220 pin, IC501 33 pin
- IC303 227 pin
- IC303 232 pin
- IC303 239 pin
- IC504 50 pin
- IC504 51 pin
- IC504 52 pin
- IC504 53 pin

- SSCLK1_A IC501 143 pin
- IC501 78 pin
- IC501 77 pin
- IC501 76 pin
- IC501 74 pin
- IC501 71 pin
- IC501 70 pin
- IC501 69 pin
- IC501 68 pin
- IC501 67 pin
- IC501 66 pin
- IC501 65 pin
- IC501 64 pin
- IC501 63 pin
- IC501 62 pin
- IC501 61 pin
- IC501 60 pin
- IC501 59 pin
- IC501 58 pin
- IC501 57 pin
- IC501 56 pin
- IC501 55 pin
- IC501 54 pin
- IC501 53 pin
- IC501 52 pin
- IC501 51 pin
- IC501 50 pin
- IC501 49 pin
- IC501 48 pin
- IC501 47 pin
- IC501 46 pin
- IC501 45 pin
- IC501 44 pin
- IC501 43 pin
- IC501 42 pin
- IC501 41 pin
- IC501 40 pin
- IC501 38 pin

- IC303 292 pin
- IC303 290 pin
- IC303 35 pin
- IC303 15 pin
- IC303 17 pin
- IC303 19 pin
- IC303 33 pin, CN504 18 pin
- IC303 21 pin
- IC303 17 pin
- IC303 16 pin

GH-006 (6/6)

Reproduction Prohibited

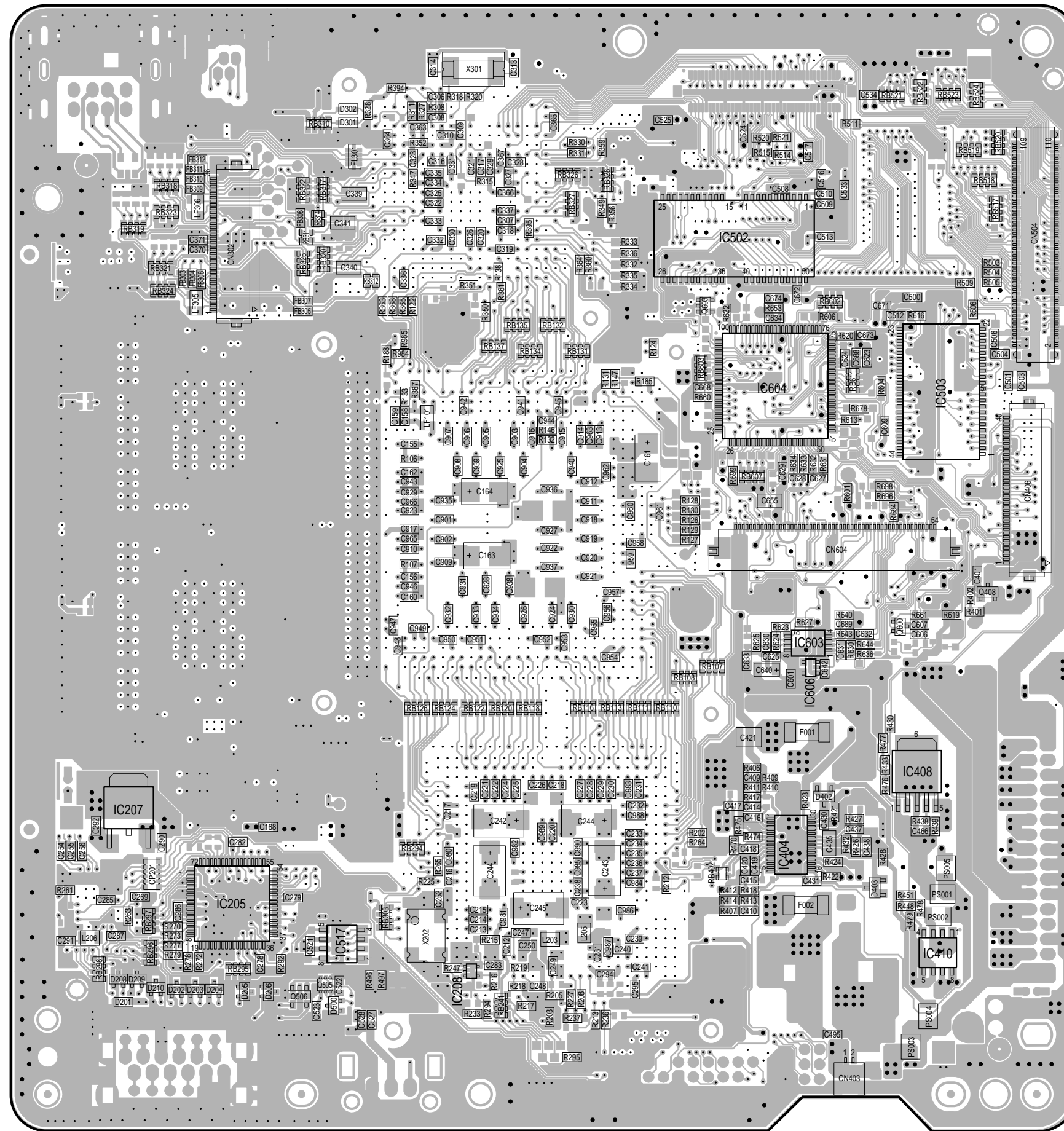


11

GH-006

A side

Reproduction Prohibited

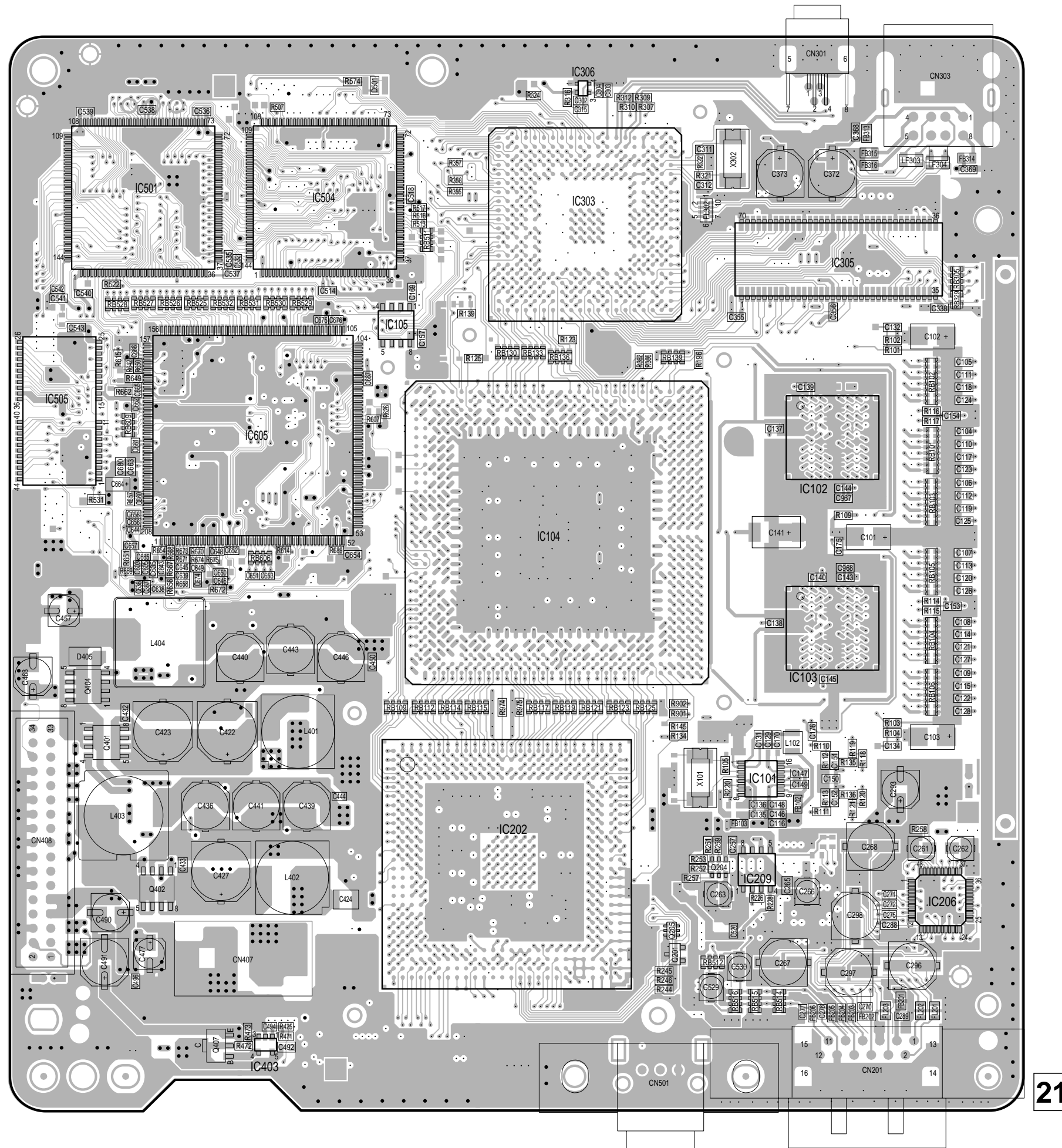


11

GH-006

B side

Reproduction Prohibited

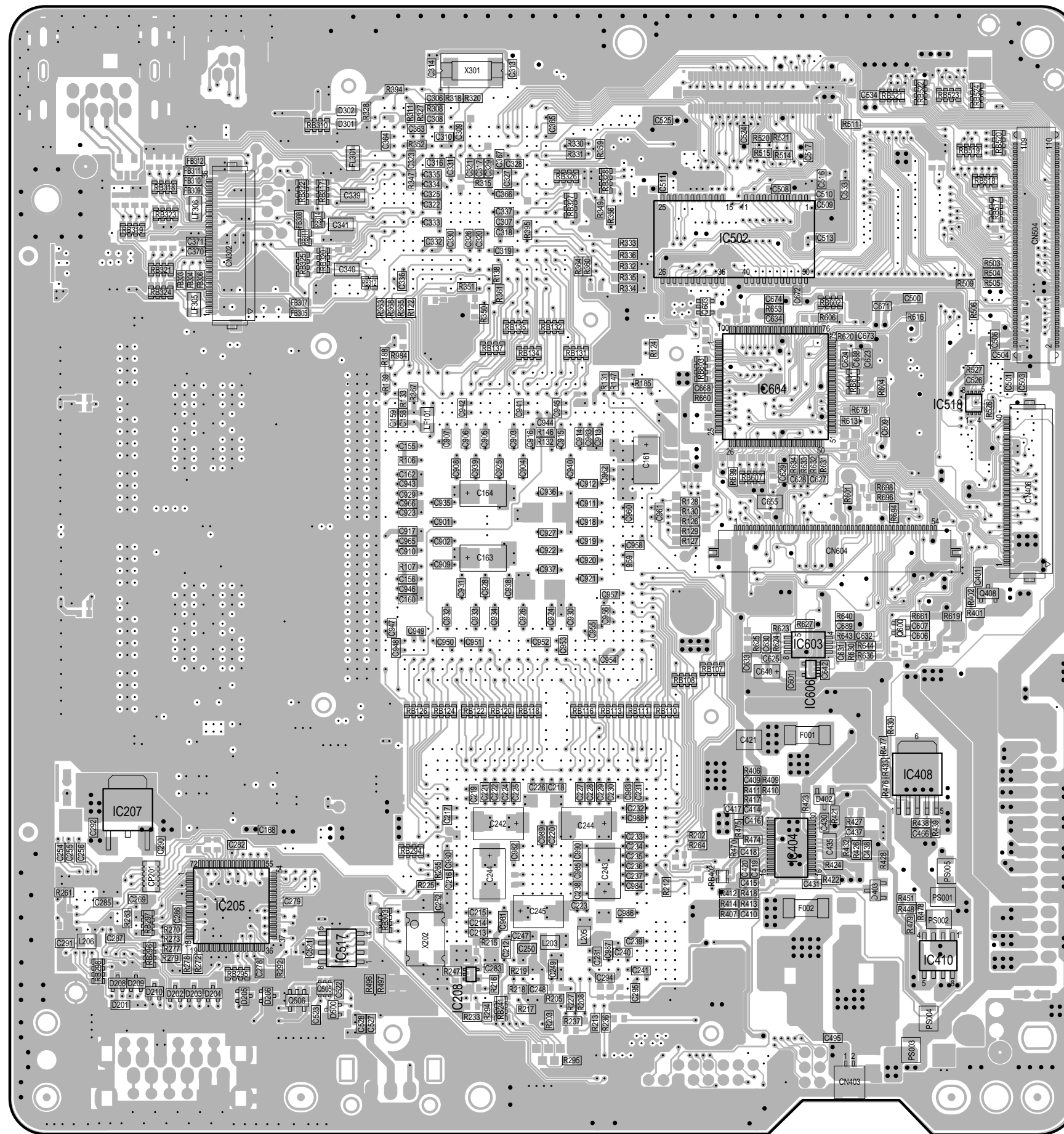


21

GH-006

A side

Reproduction Prohibited

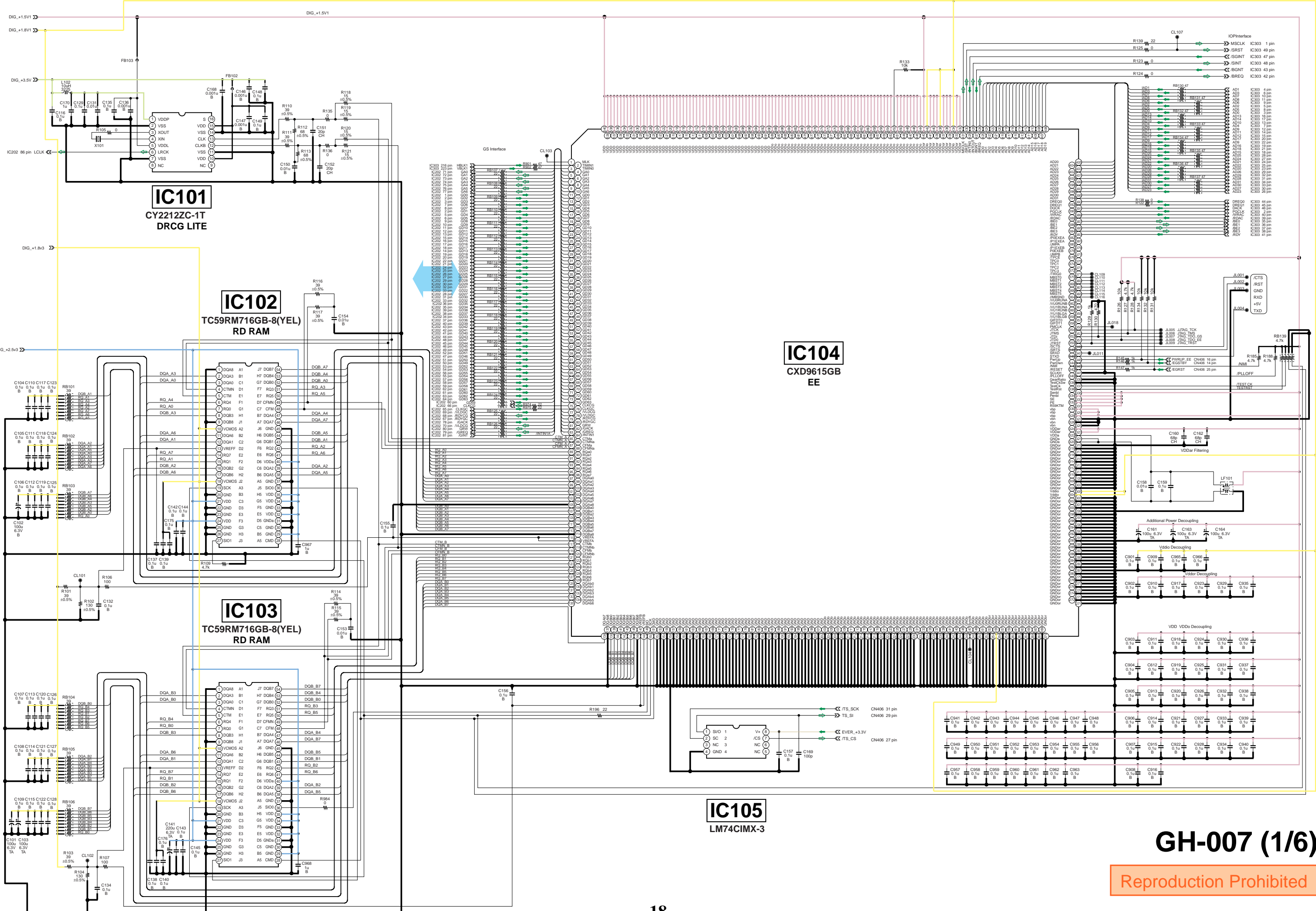


21

GH-006

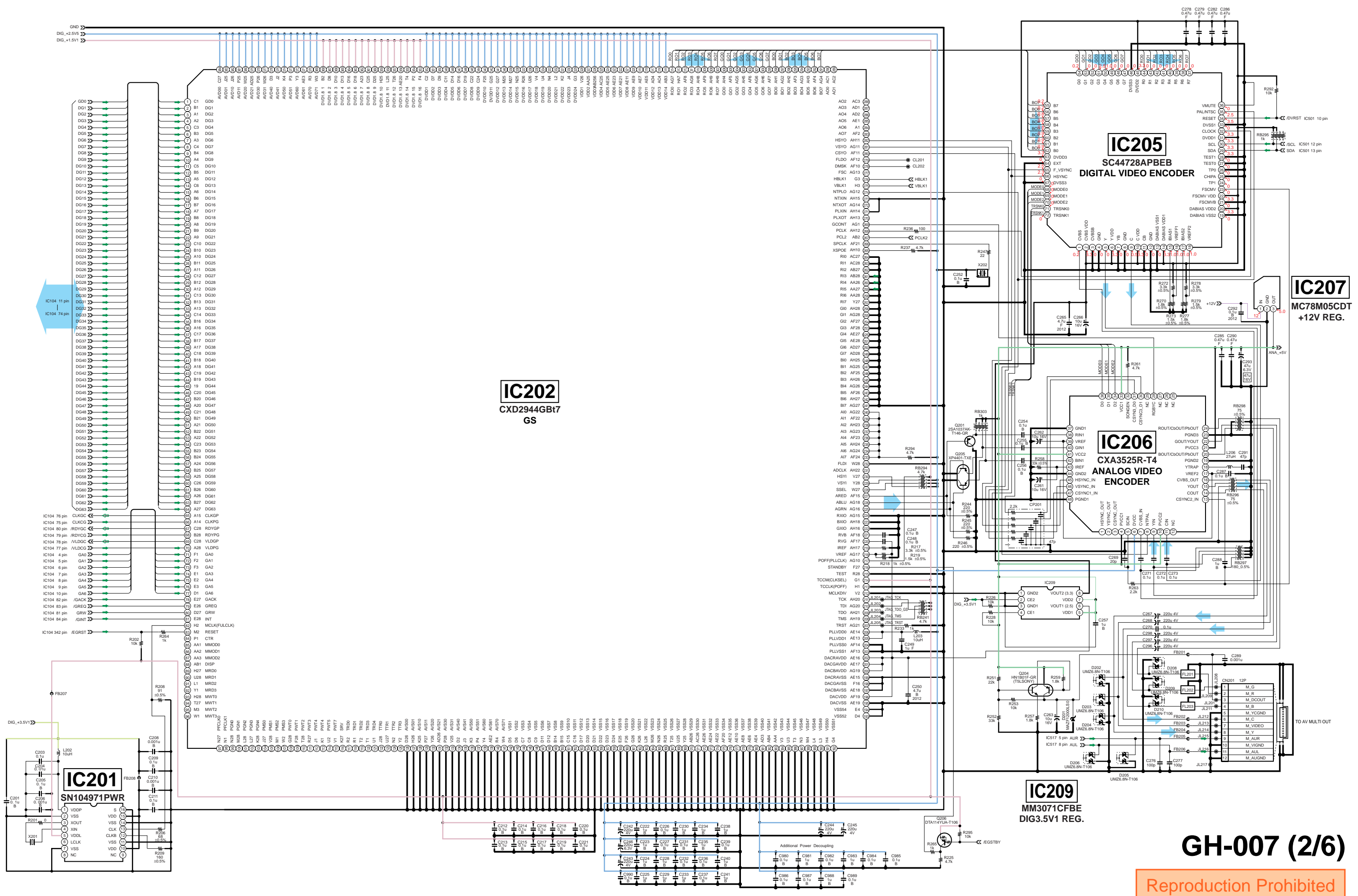
B side

Reproduction Prohibited



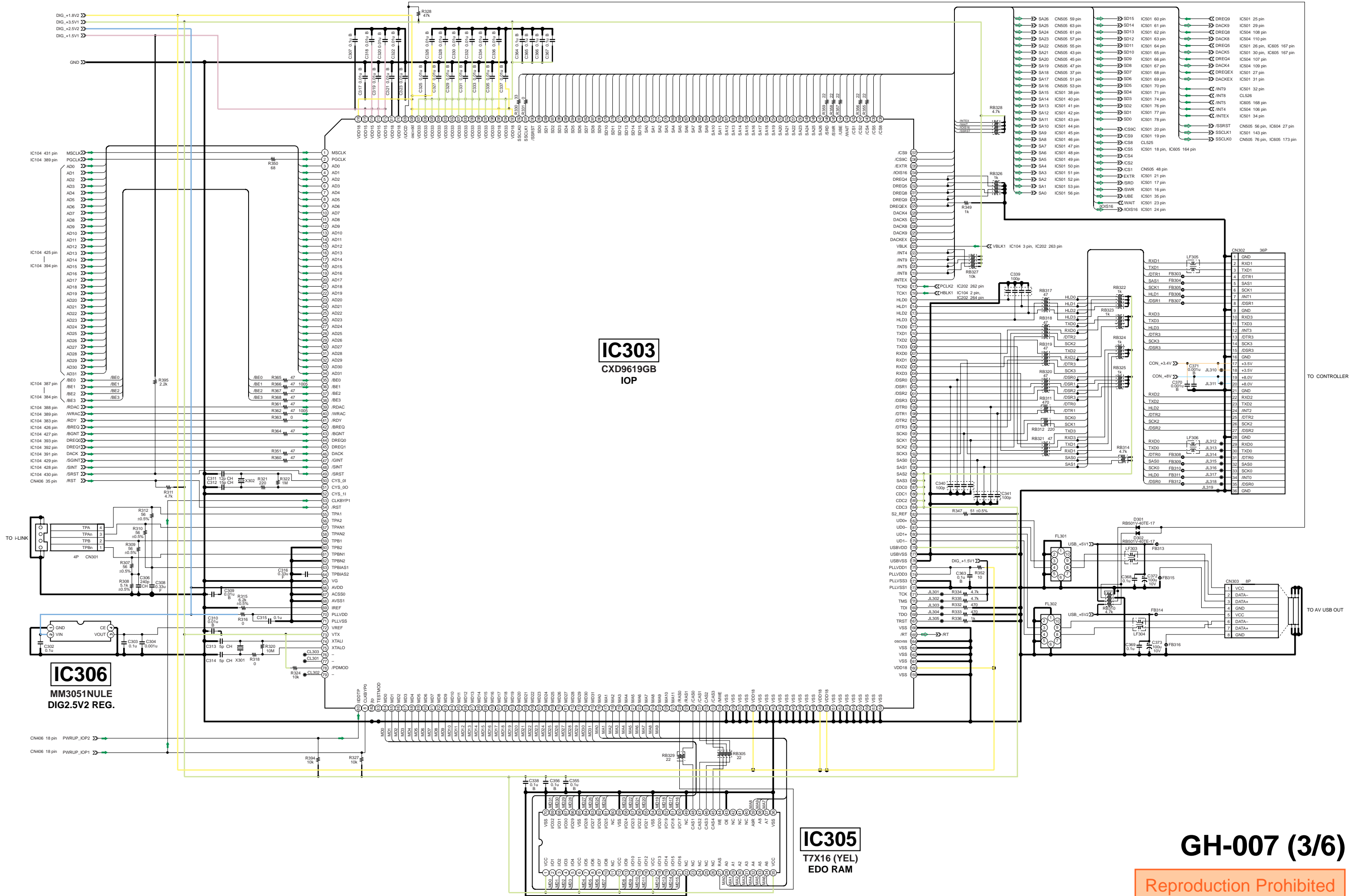
GH-007 (1/6)

Reproduction Prohibited



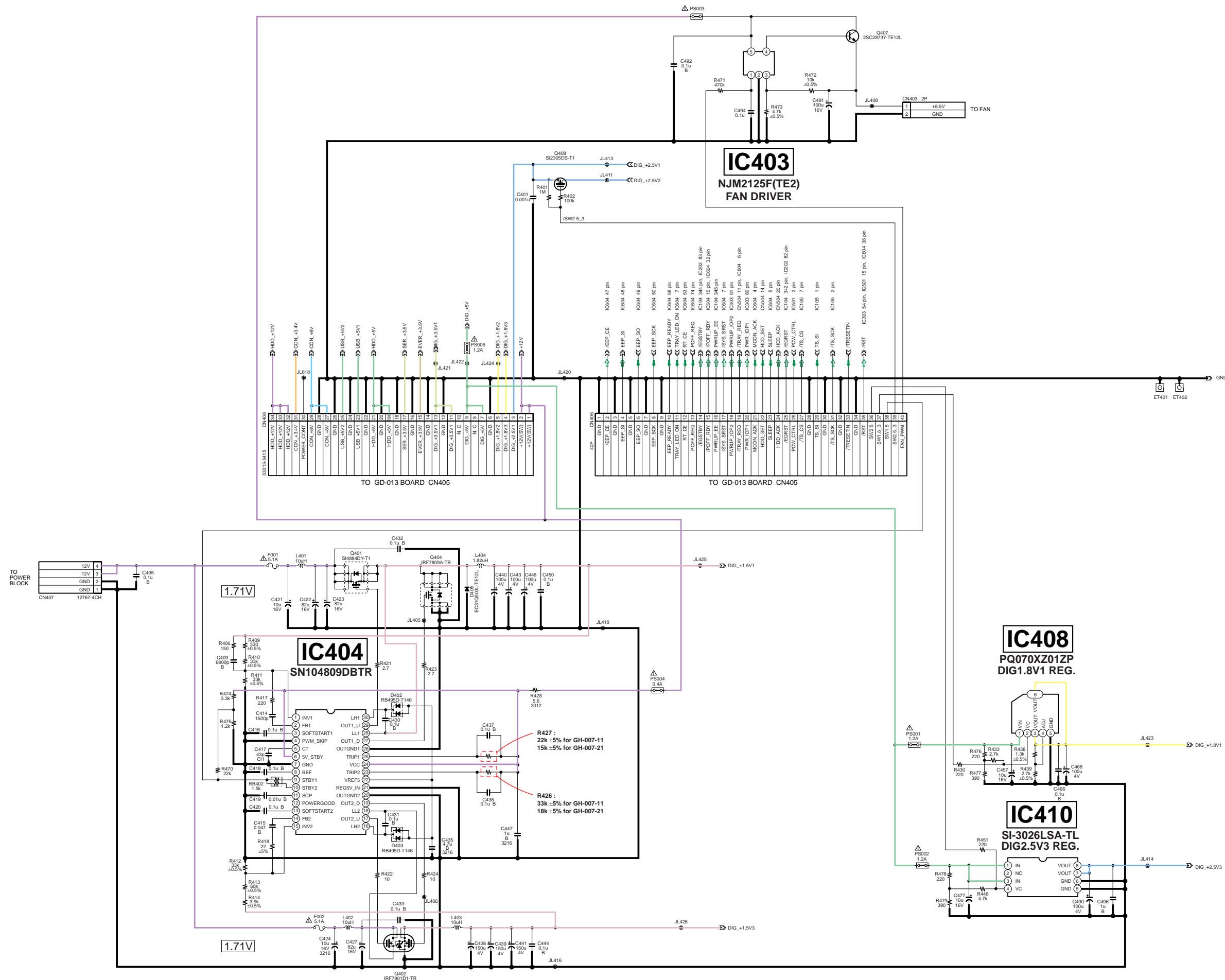
GH-007 (2/6)

Reproduction Prohibited



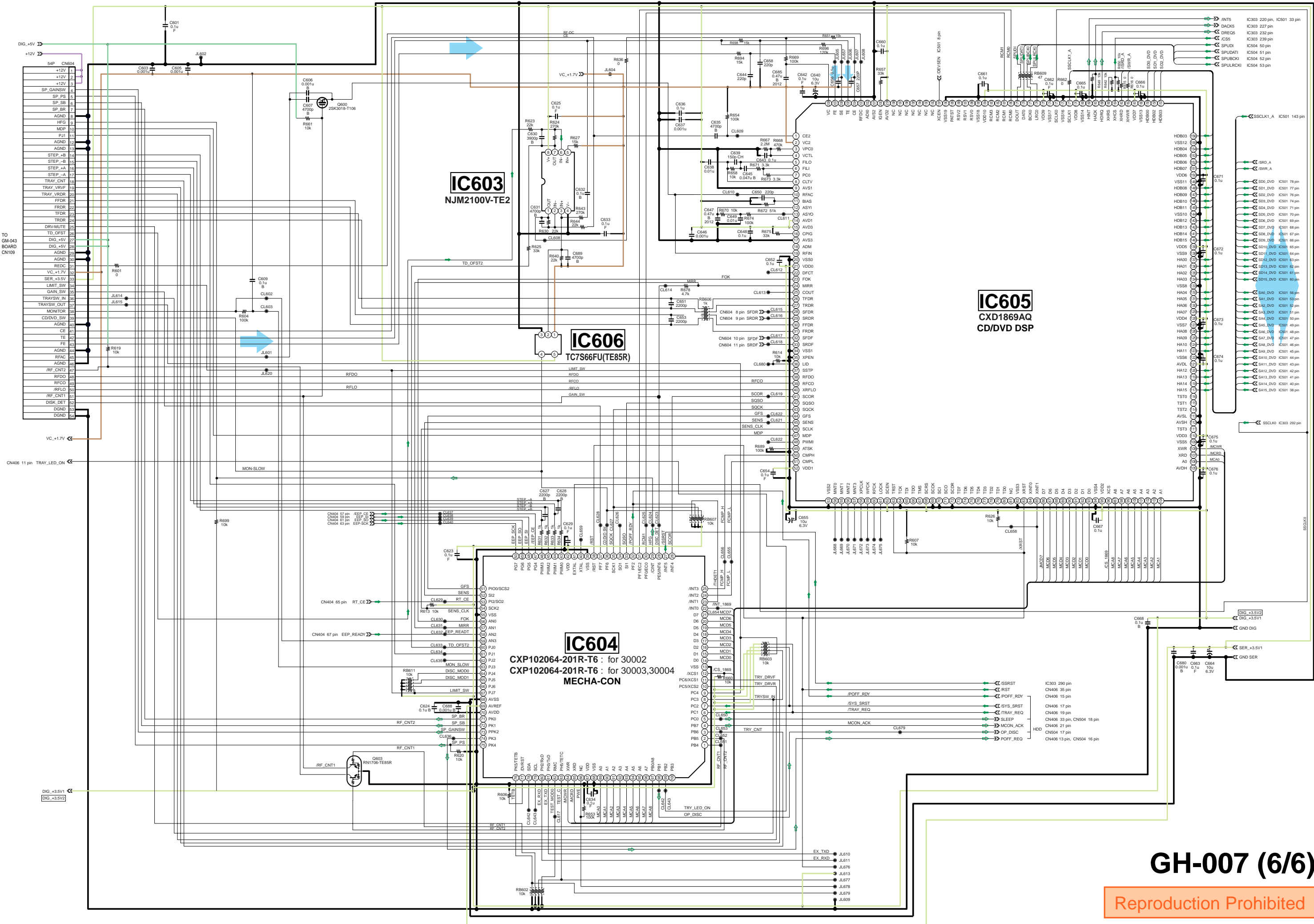
GH-007 (3/6)

Reproduction Prohibited



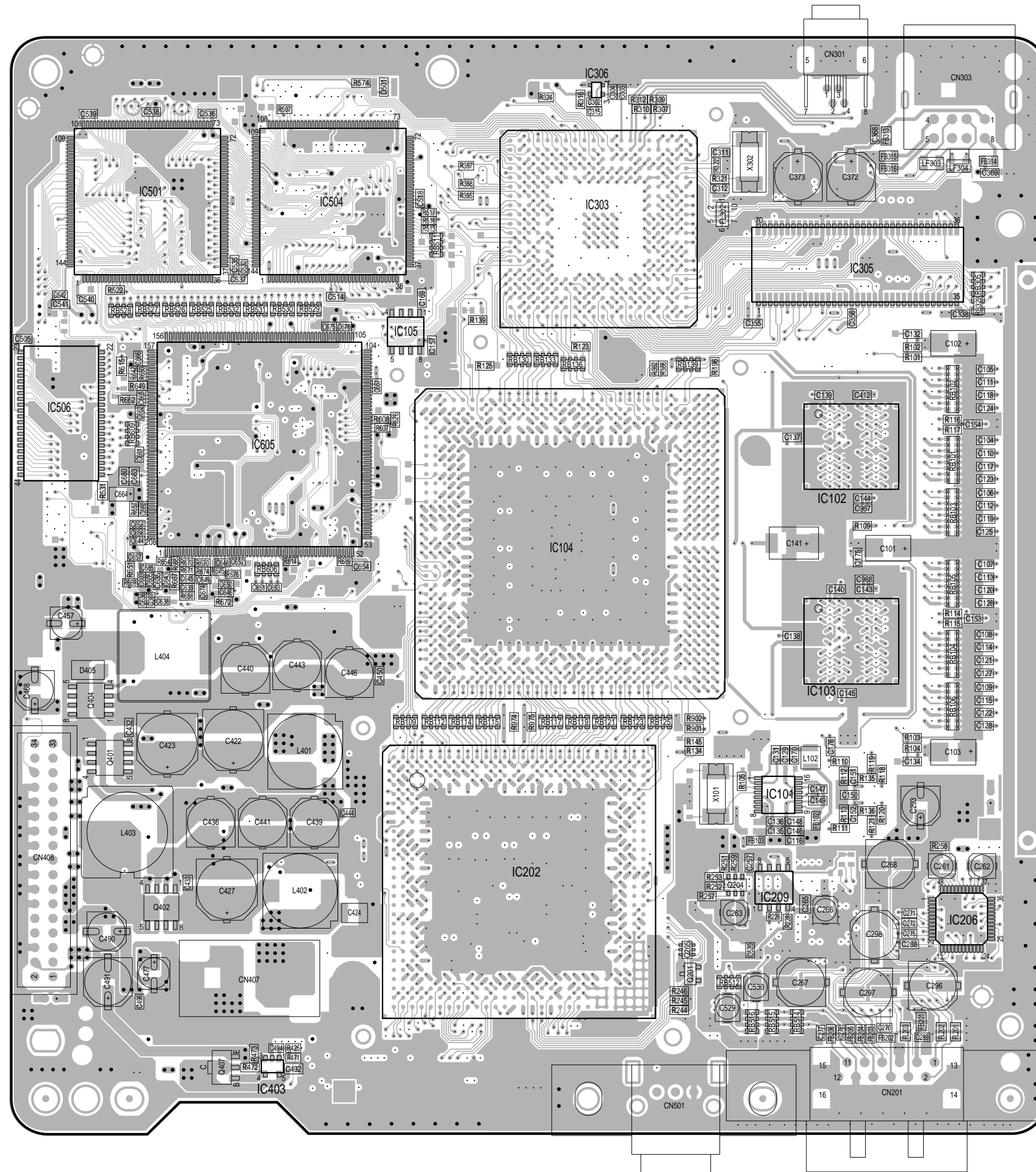
GH-007 (4/6)

Reproduction Prohibited



GH-007 (6/6)

Reproduction Prohibited

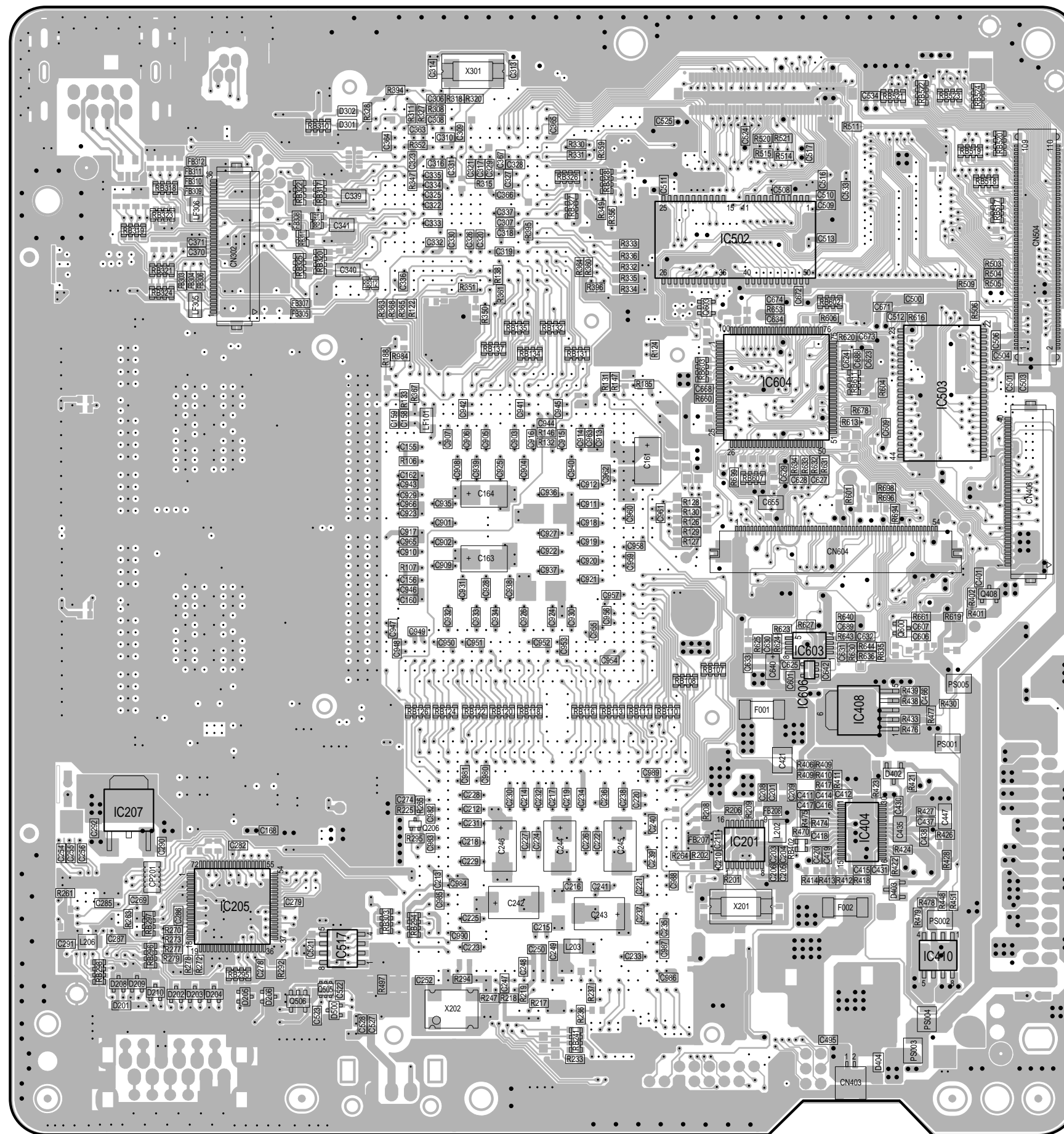


11

GH-007

A side

Reproduction Prohibited

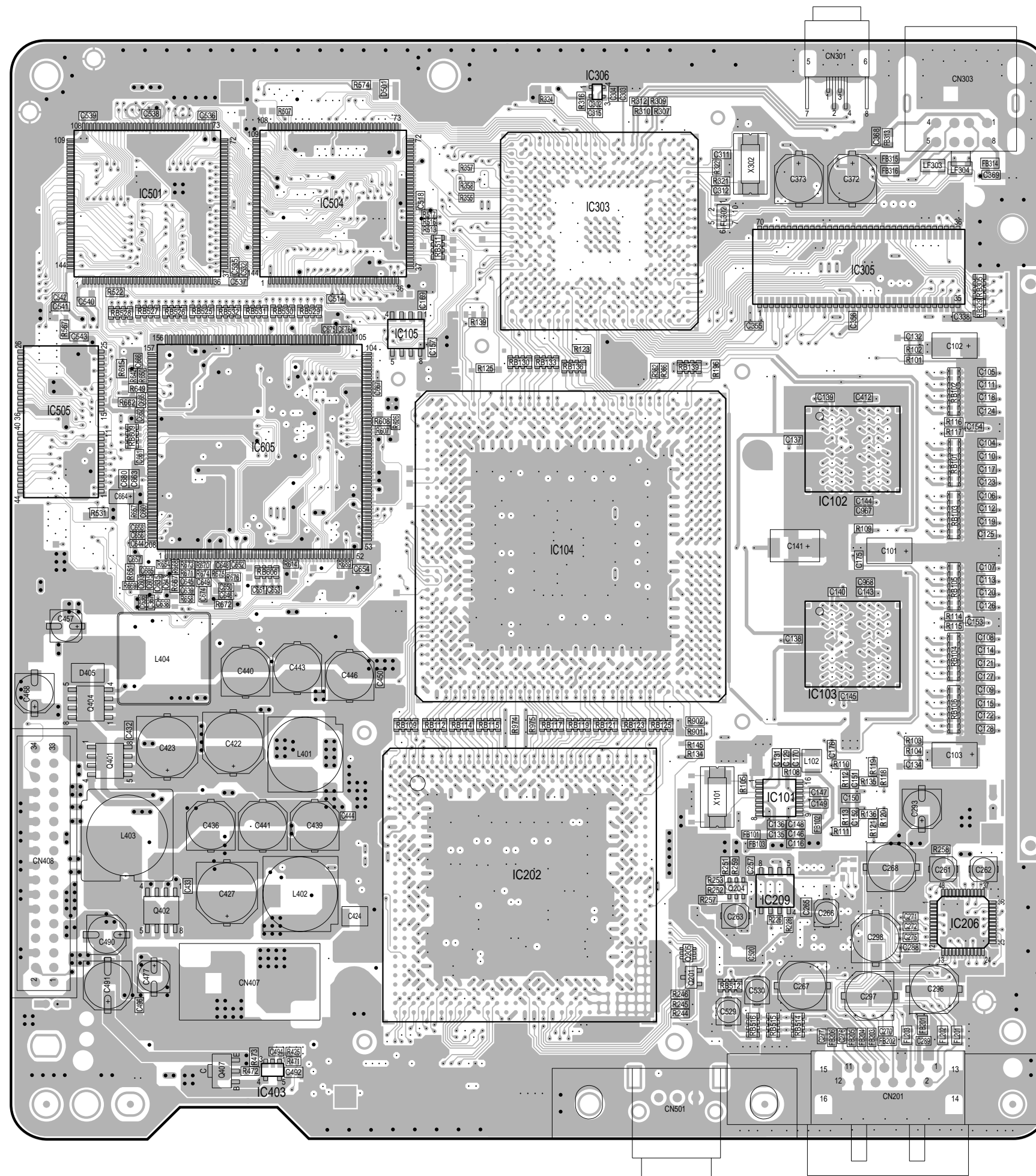


11

GH-007

B side

Reproduction Prohibited

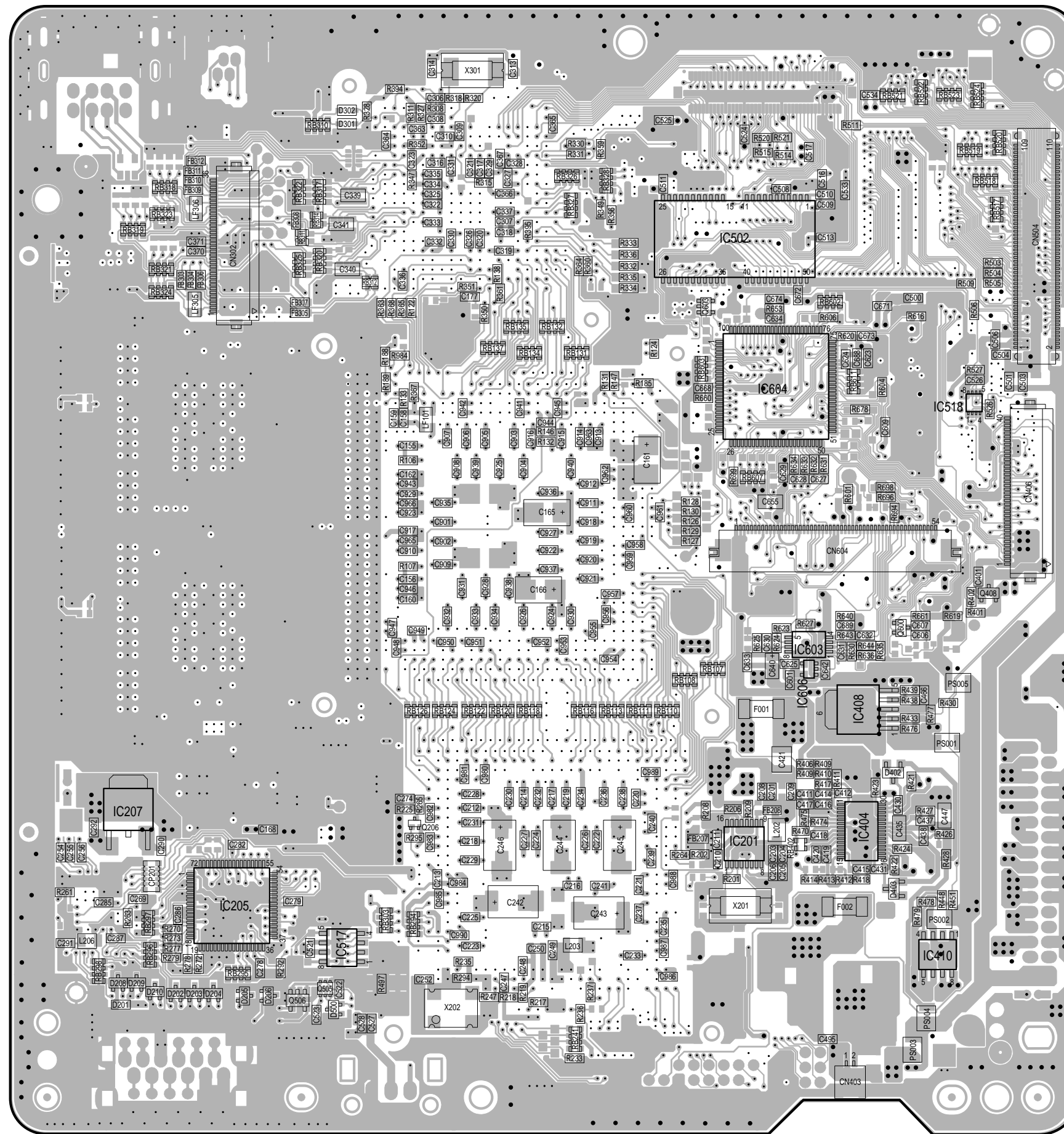


21

GH-007

A side

Reproduction Prohibited



21

GH-007

B side

Reproduction Prohibited

IC401
S-80769SN-JO-T2
12V REG.

IC403
MM1537DFBE
RESET

IC402
TMP87C807C
SYSCON

IC405
RS5C348A-E2
TIMER

IC406
BR9080F-E2
EEPROM

IC409
SN104809DBTR

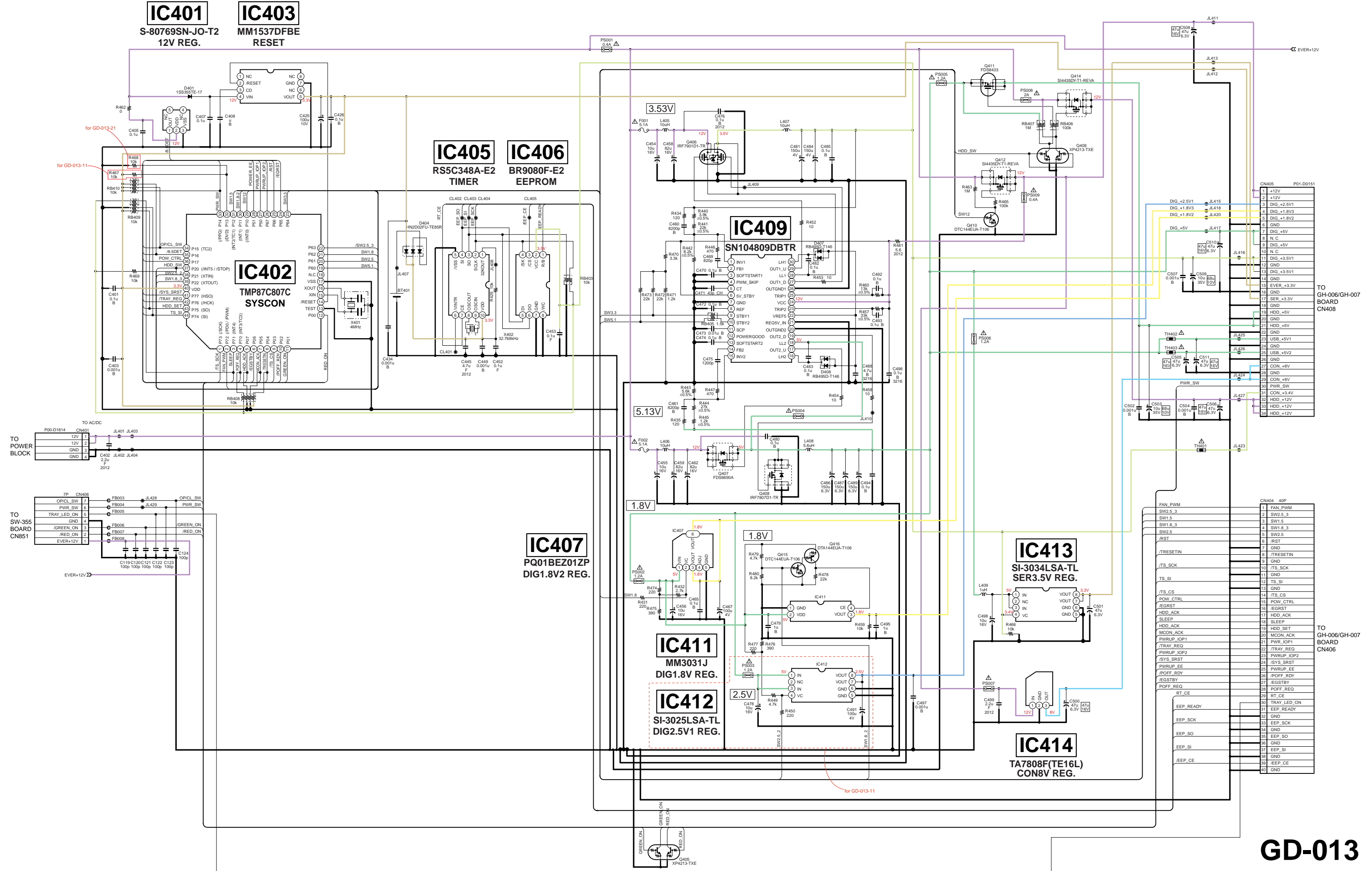
IC407
PQ01BEZ01ZP
DIG1.8V2 REG.

IC411
MM3031J
DIG1.8V REG.

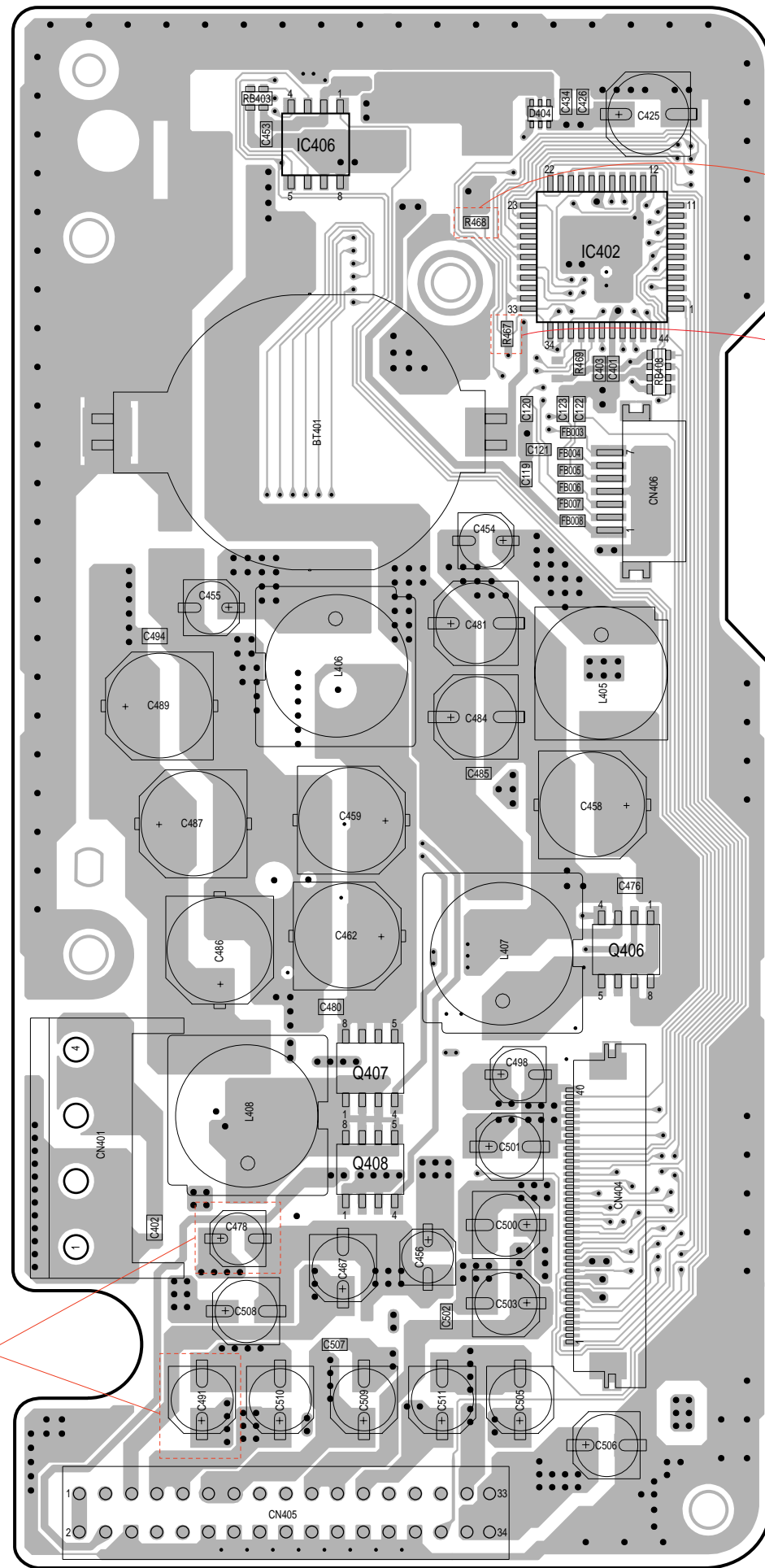
IC412
SI-3025LSA-TL
DIG2.5V1 REG.

IC413
SI-3034LSA-TL
SER3.5V REG.

IC414
TA7808F(TE16L)
CON8V REG.



Reproduction Prohibited



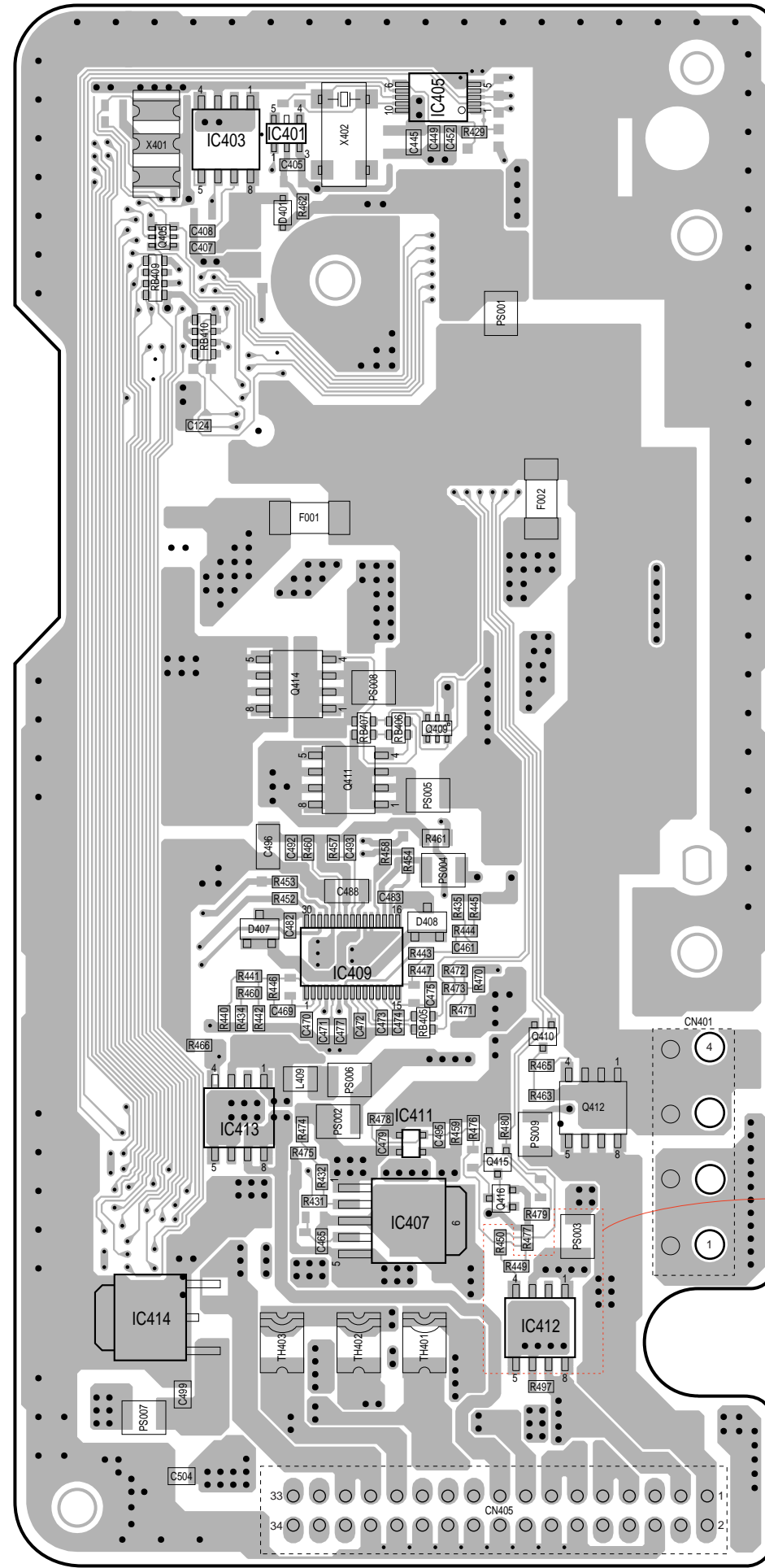
for GD-013-21

for GD-013-11

for GD-013-11

GD-013

A side

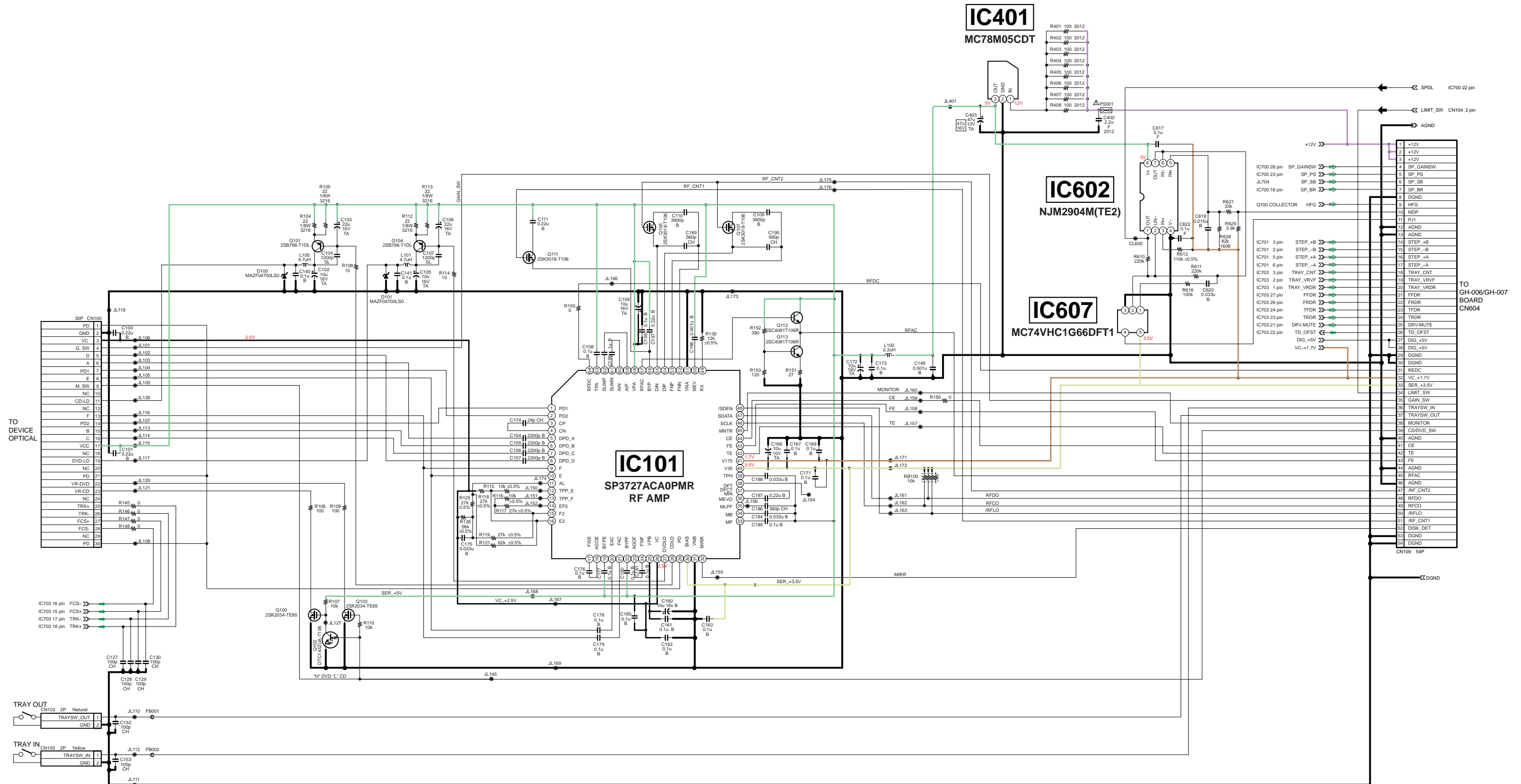


for GD-013-11

GD-013

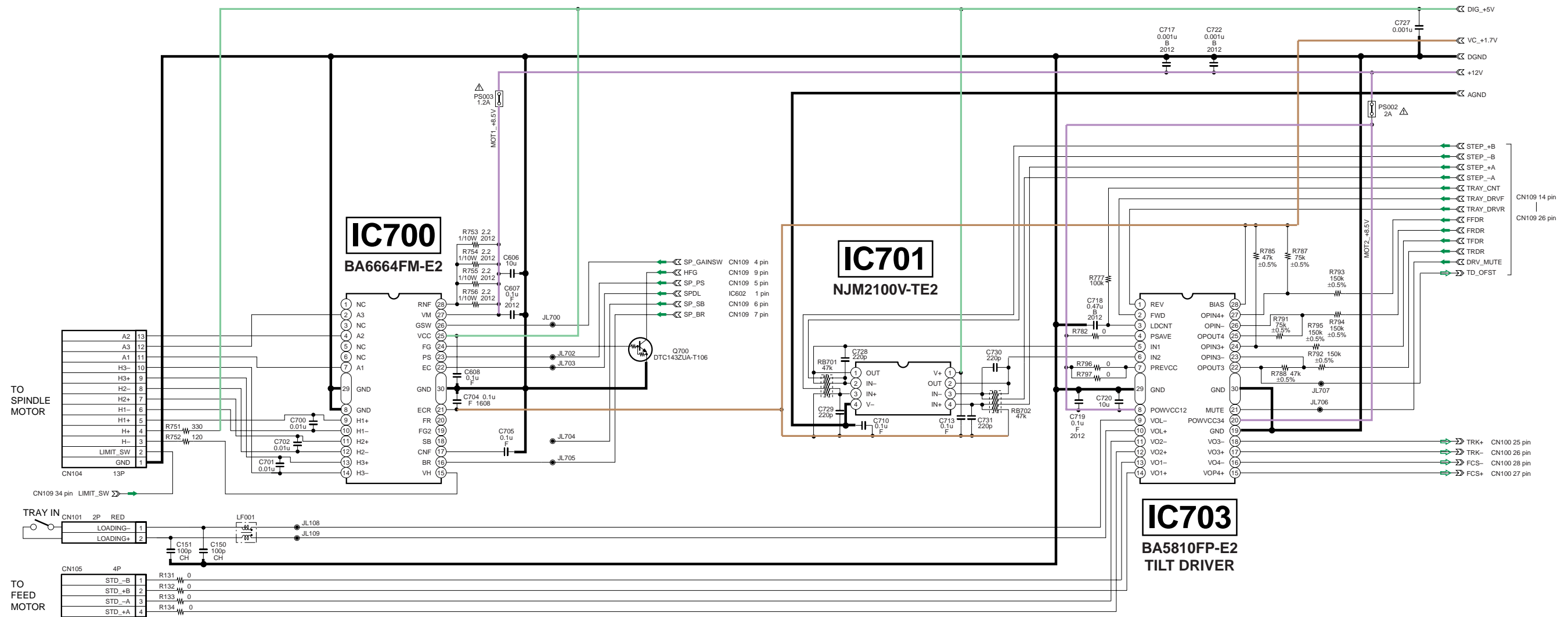
B side

Reproduction Prohibited



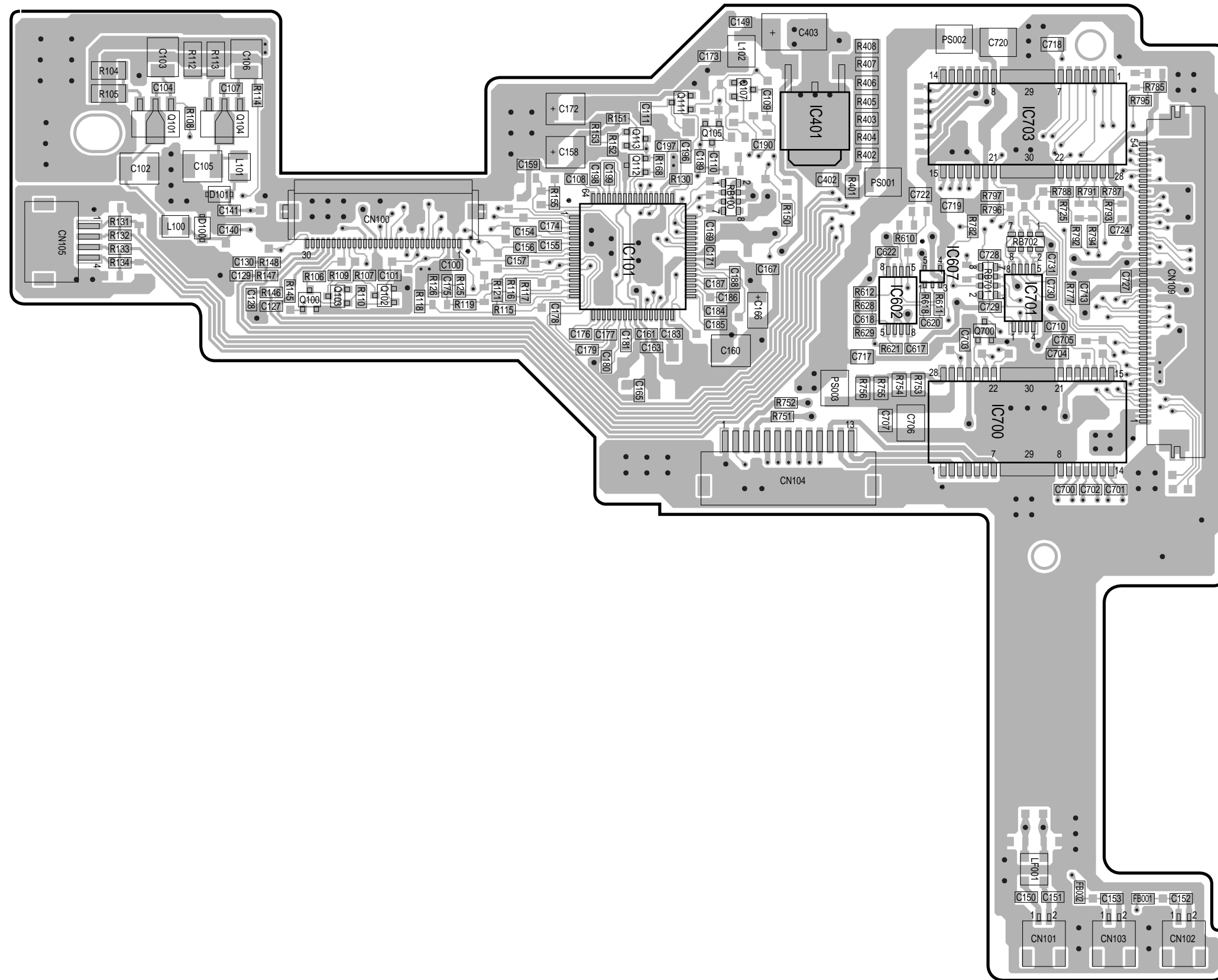
GM-043 (1/2)

Reproduction Prohibited



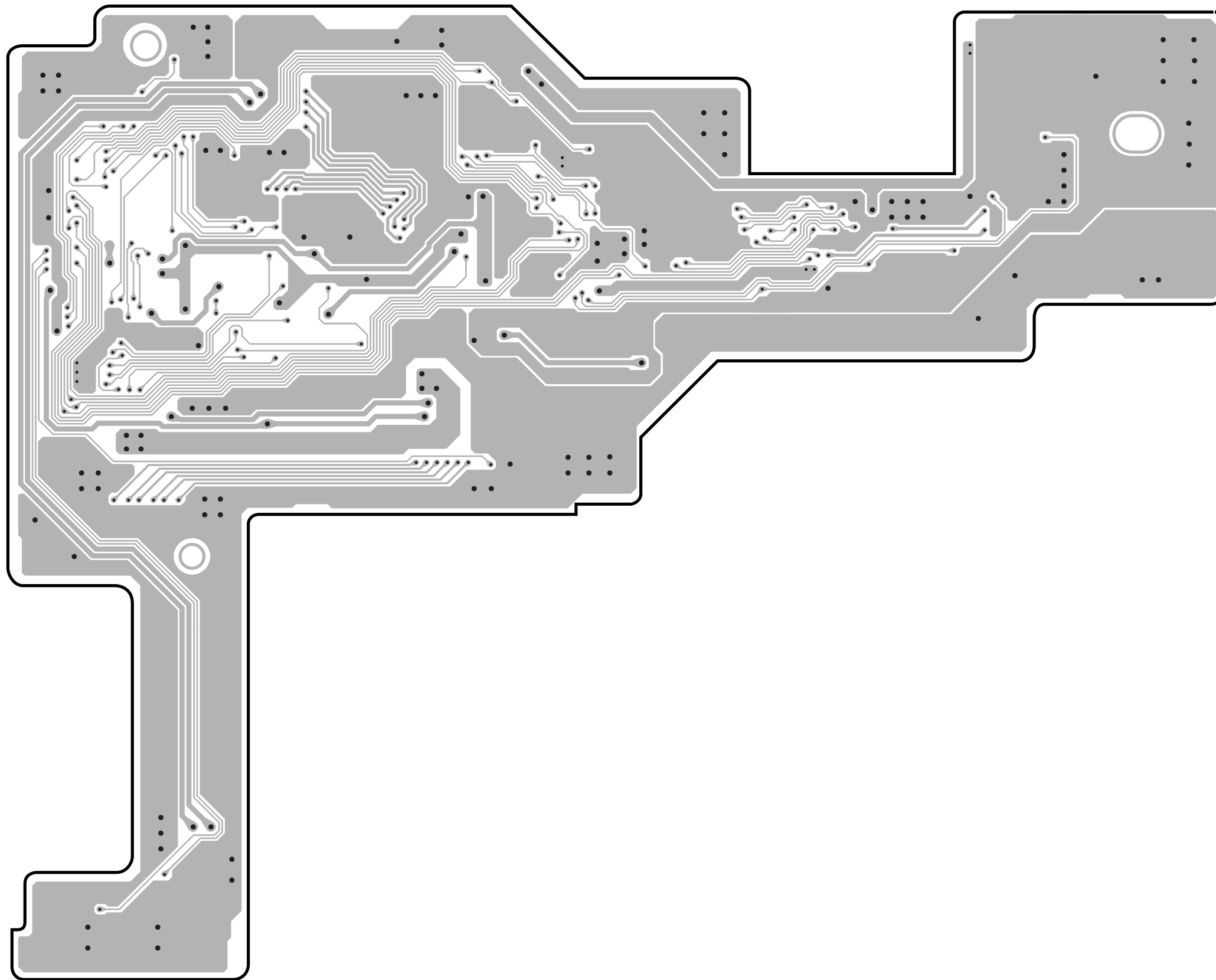
GM-043 (2/2)

Reproduction Prohibited



GM-043
B side

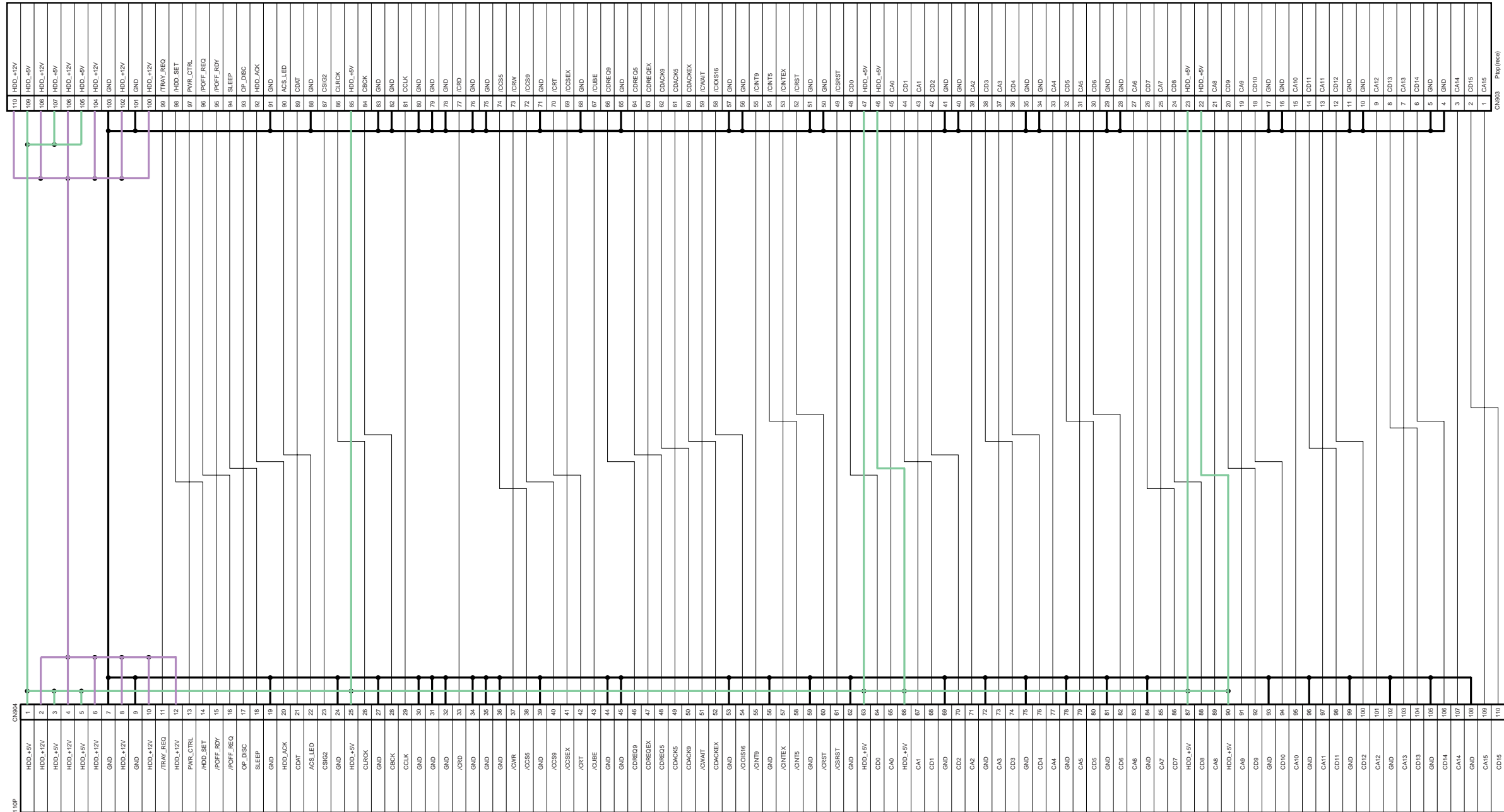
Reproduction Prohibited



GM-043
A side

Reproduction Prohibited

GI side

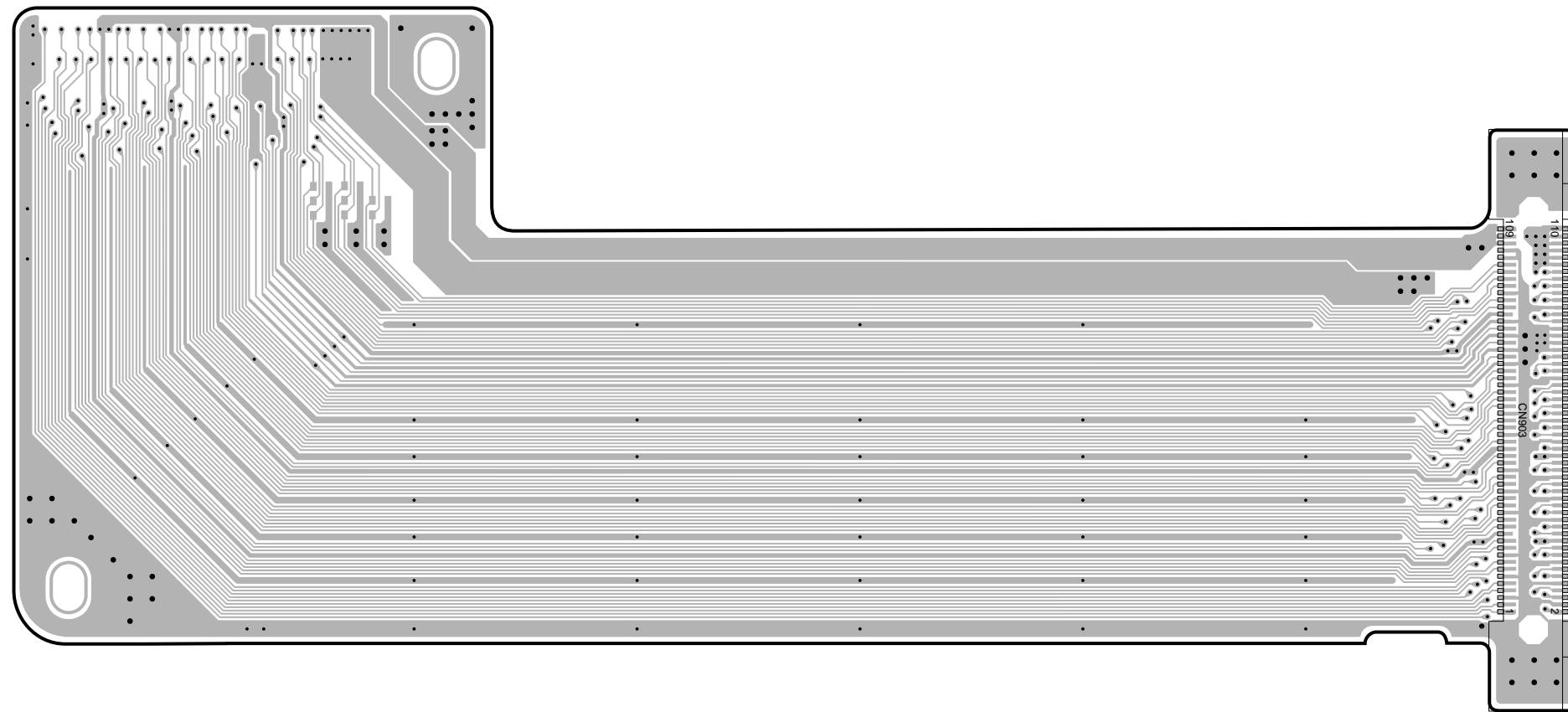


GH side

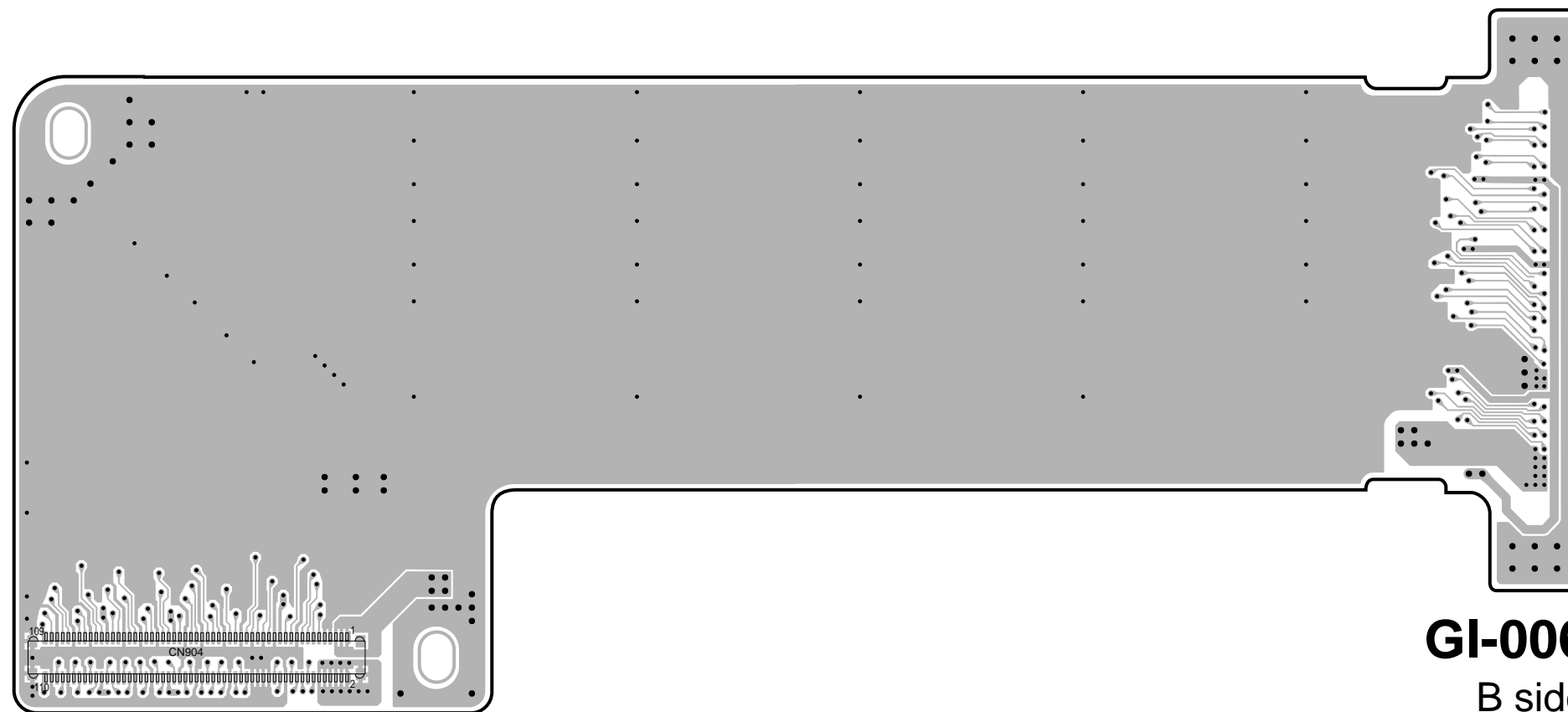
TO GH-006/GH-007 BOARD
CN504

GI-006

Reproduction Prohibited

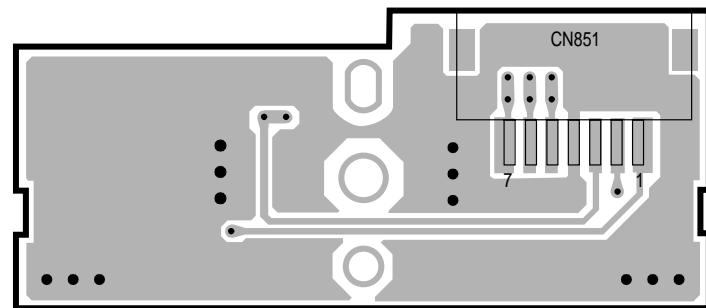


GI-006
A side

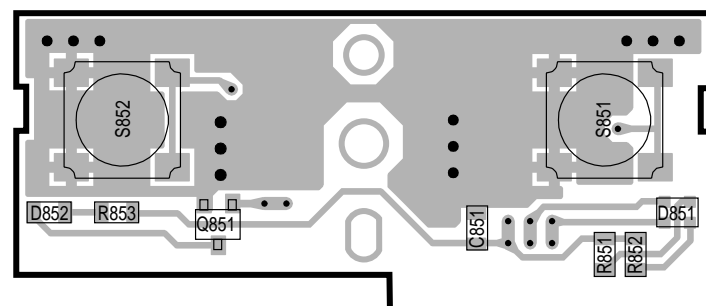


GI-006
B side

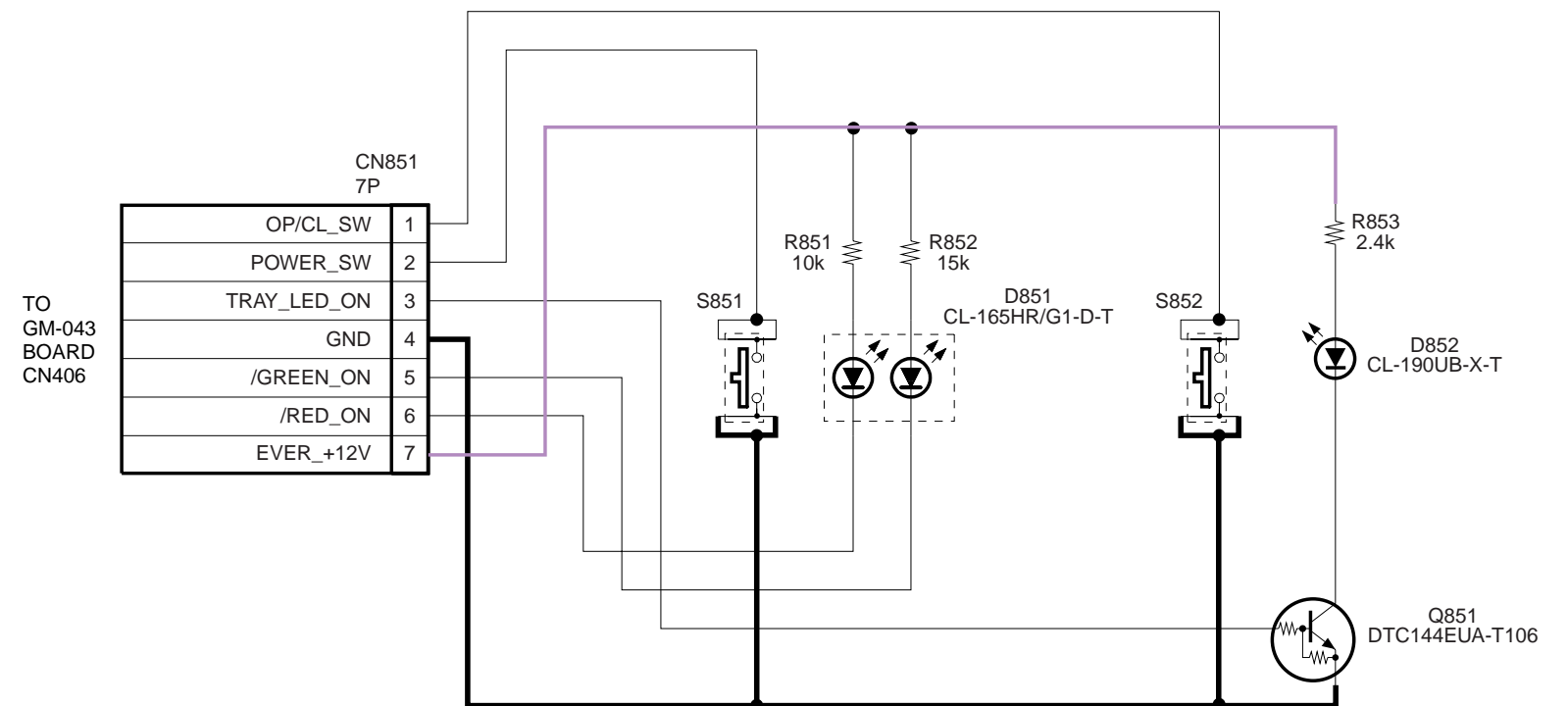
Reproduction Prohibited



SW-355
A side



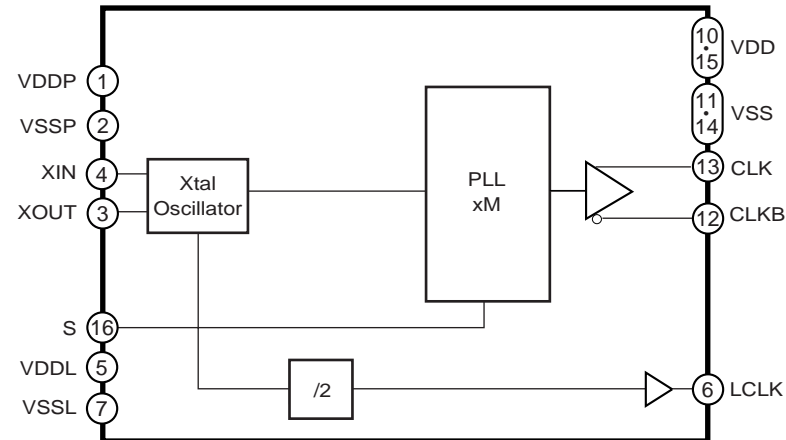
SW-355
B side



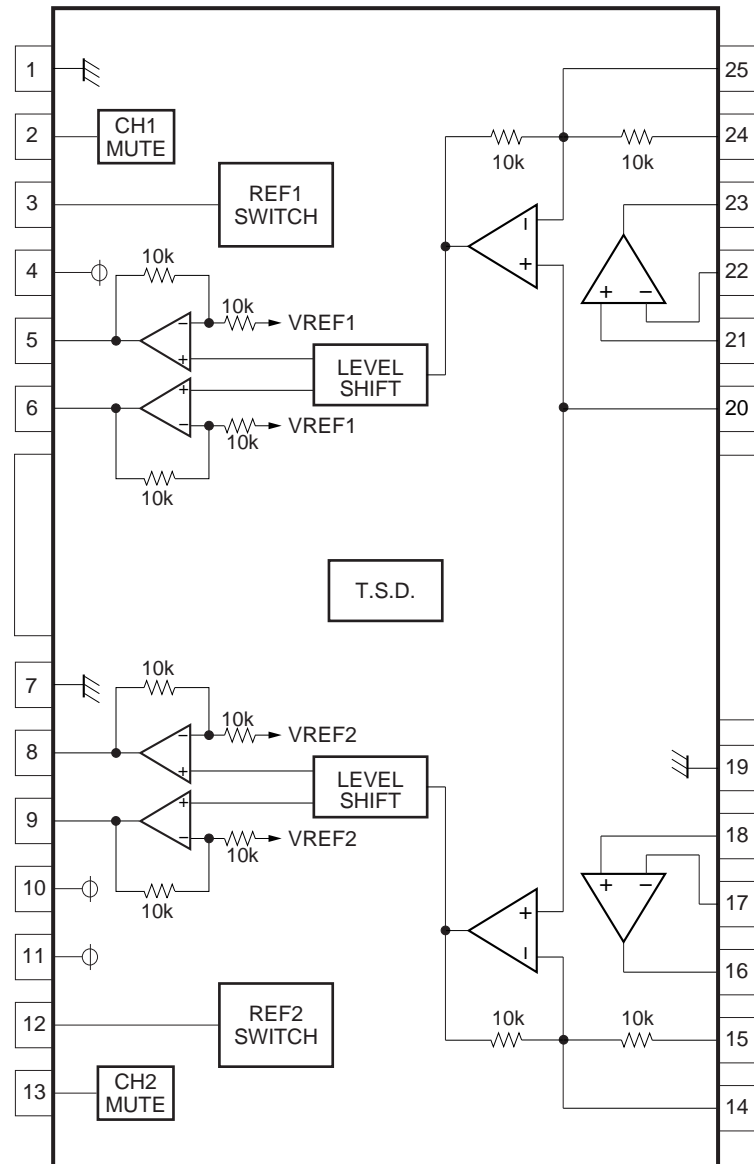
SW-355

IC BLOCK DIAGRAMS

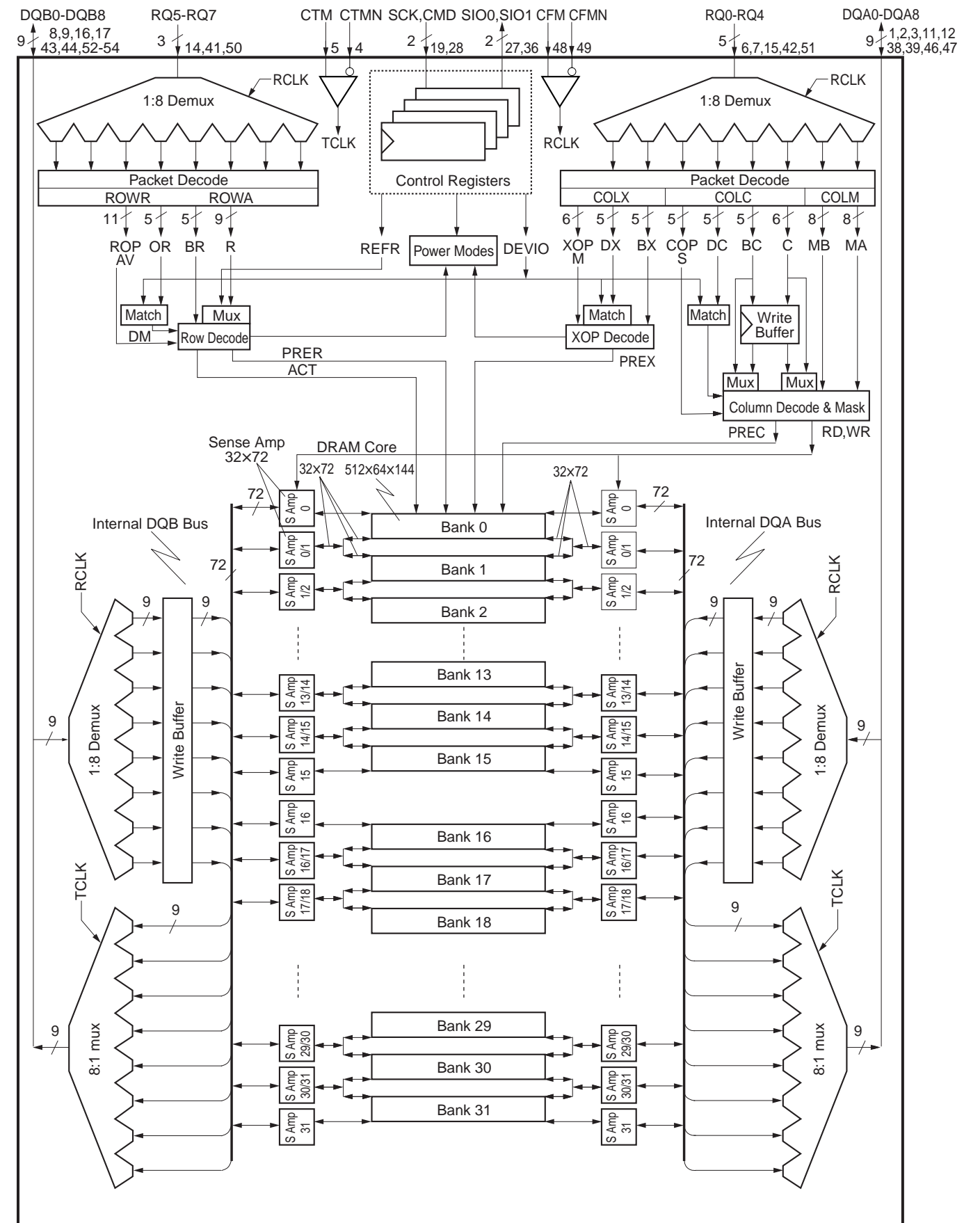
CY2212ZC (IC101) [for GH Board]



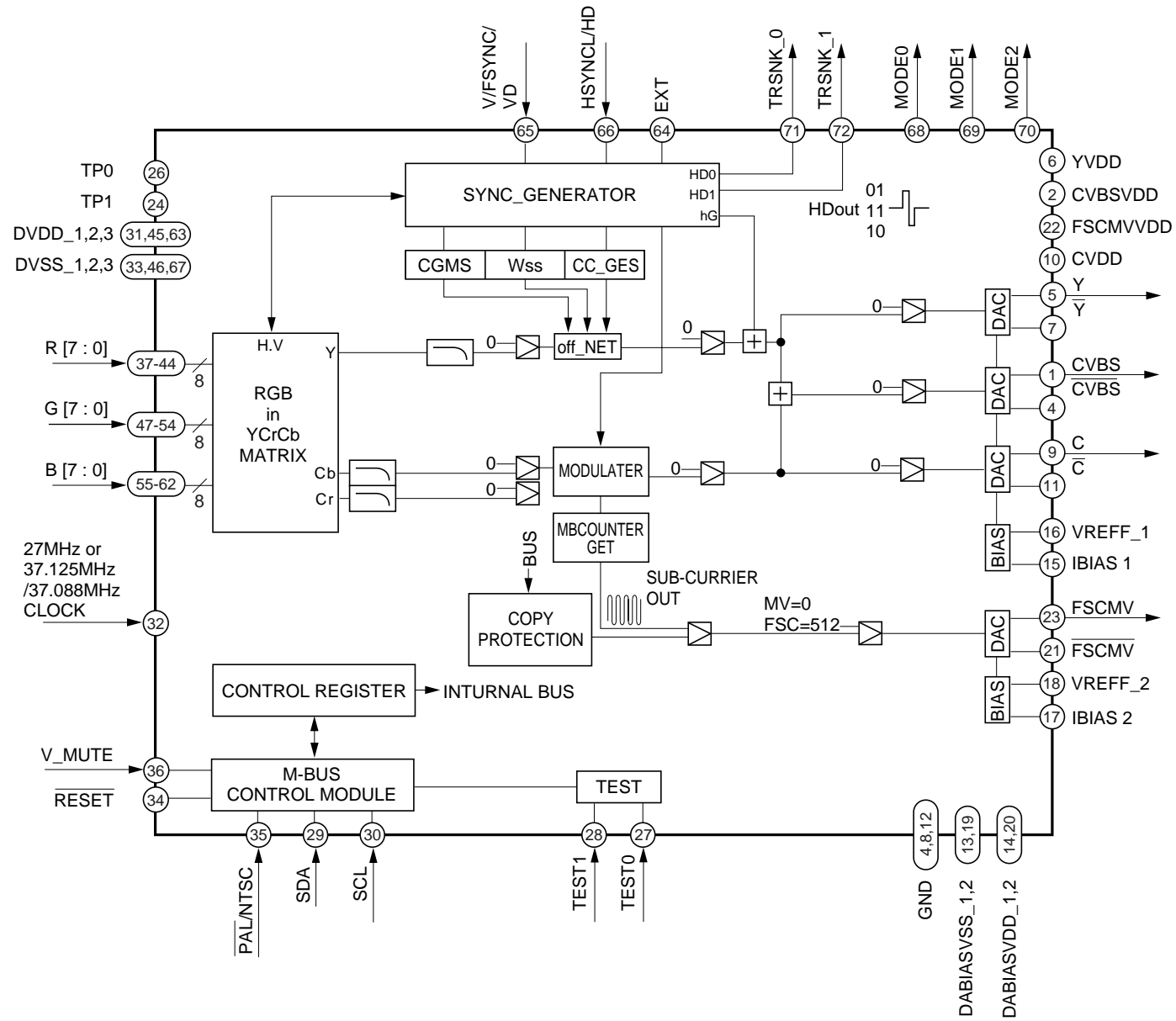
BA5912AFP-YE2 (IC102) [for GM Board]



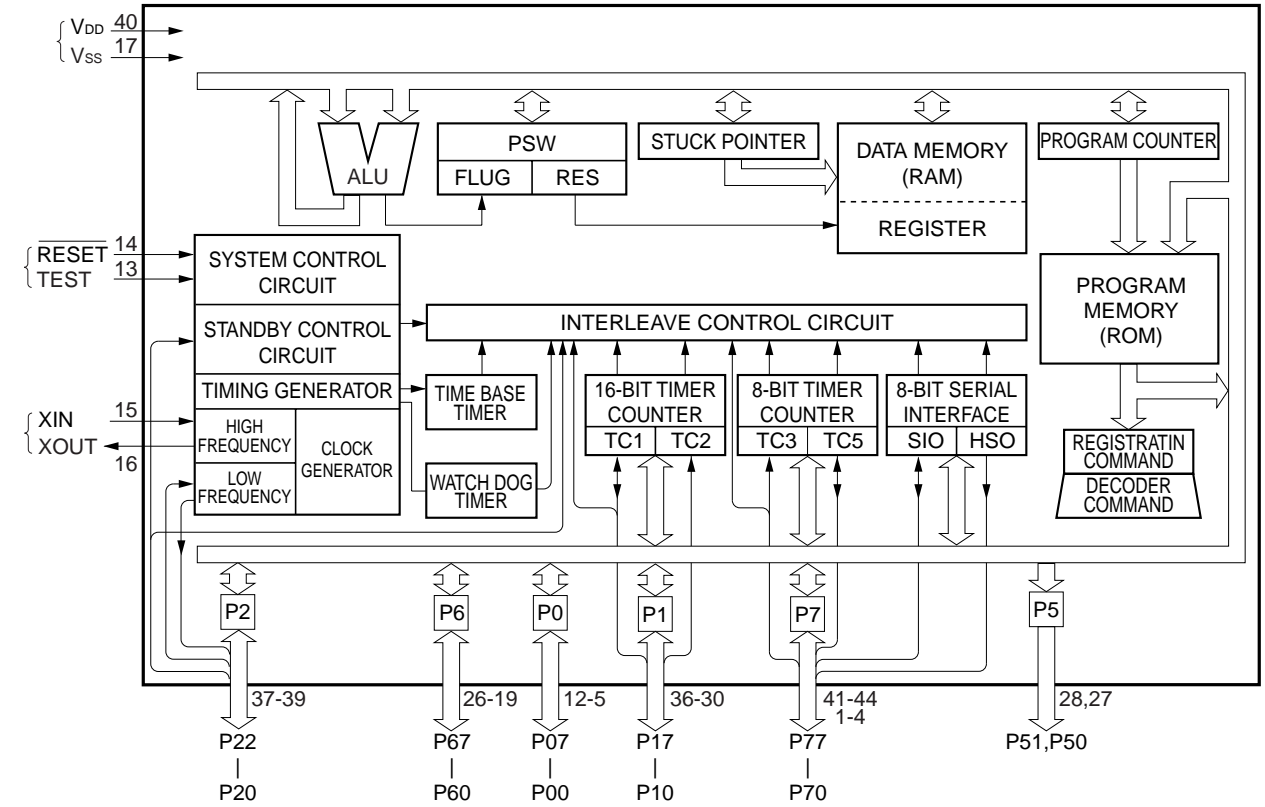
TC59RM716GB-8 (IC102, IC103) [for GH Board]



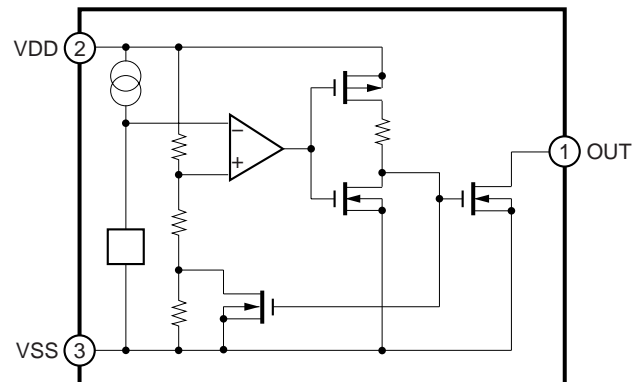
SC44728PBEB (IC205) [for GH Board]



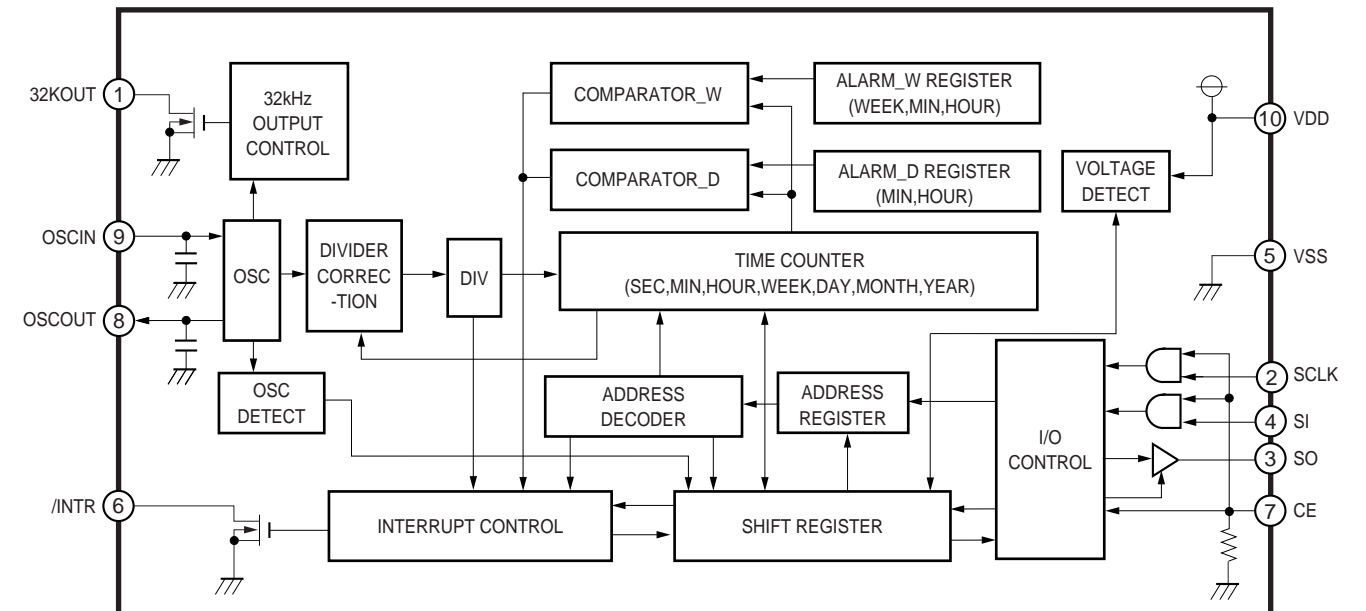
TMP87C807U (IC402) [for GD Board]



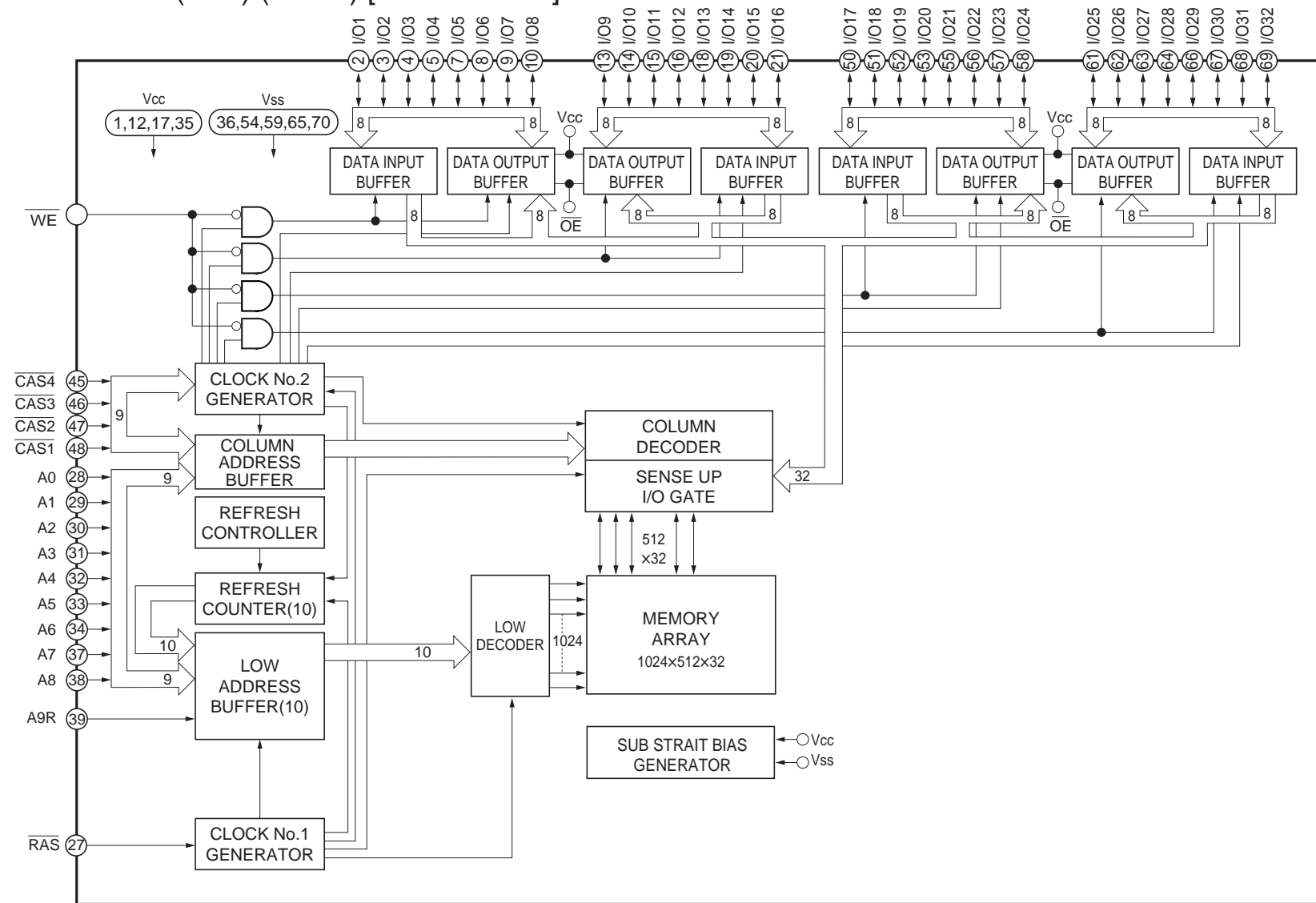
S-80769SN-JO (IC401) [for GD Board]



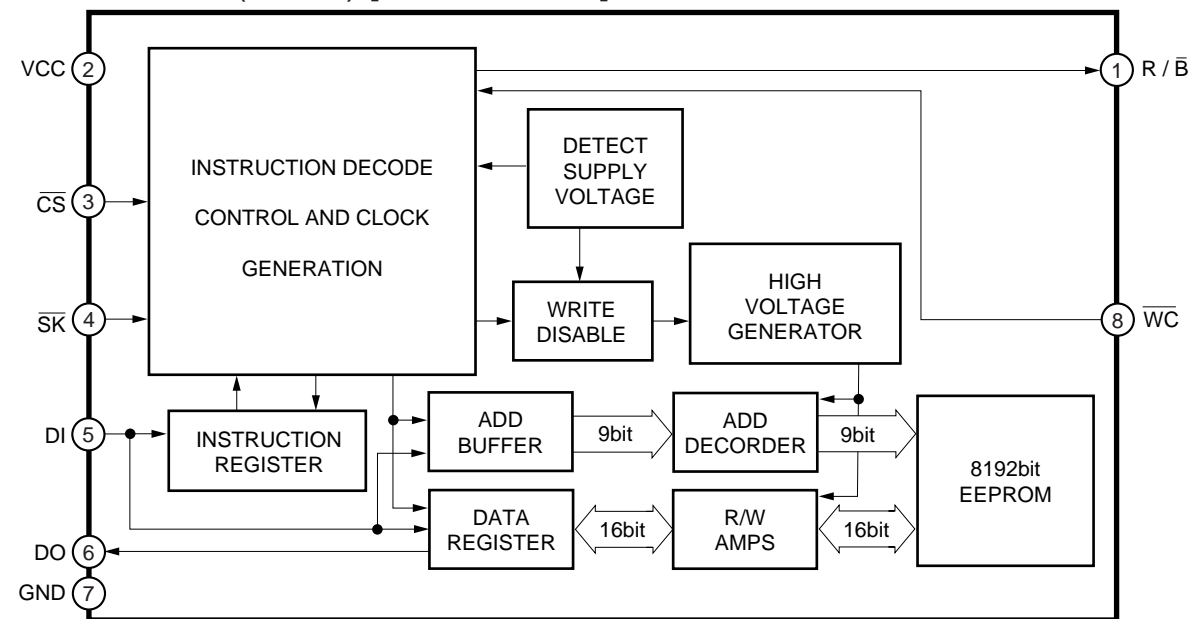
RS5C348A (IC405) [for GD Board]



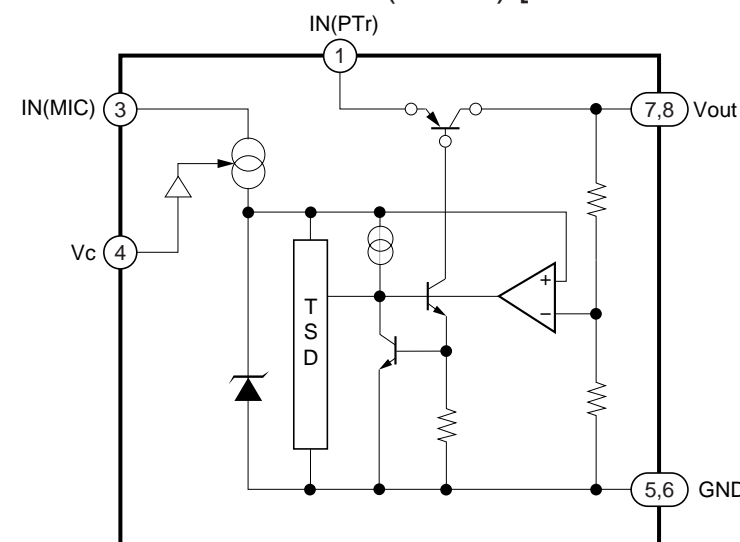
T7X16 (YEL) (IC305) [for GH Board]



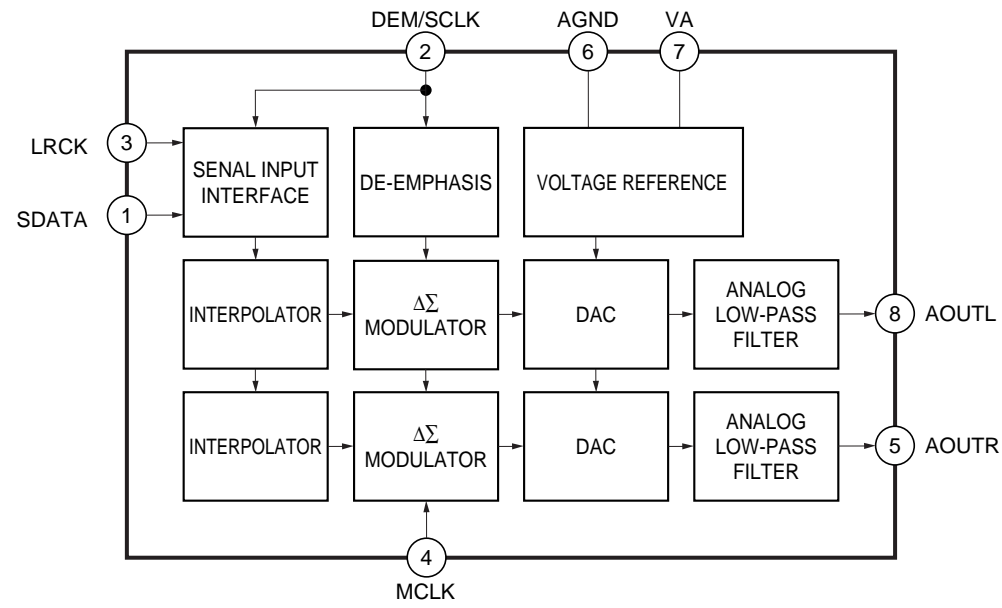
BR9080 (IC406) [for GD Board]



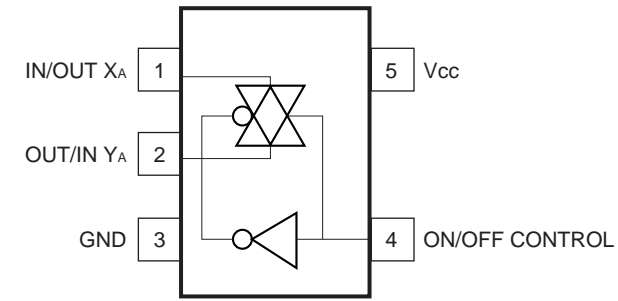
SI-3034LSA-TL (IC413) [for GD Board]



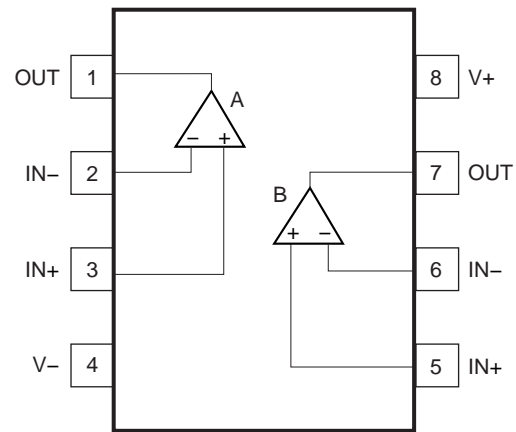
CS4334 (IC517) [for GH Board]



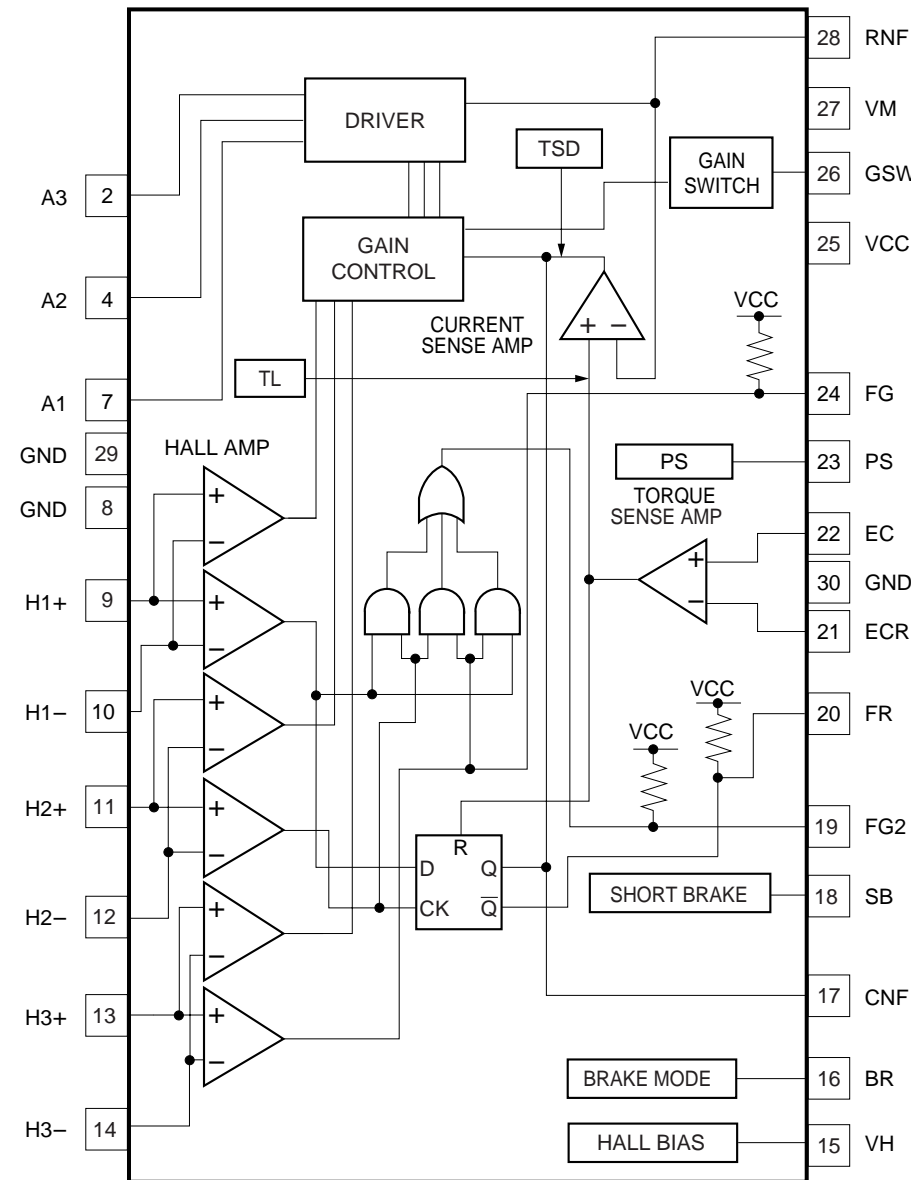
MC74VHC1G66DFT1 (IC606) [for GH Board]



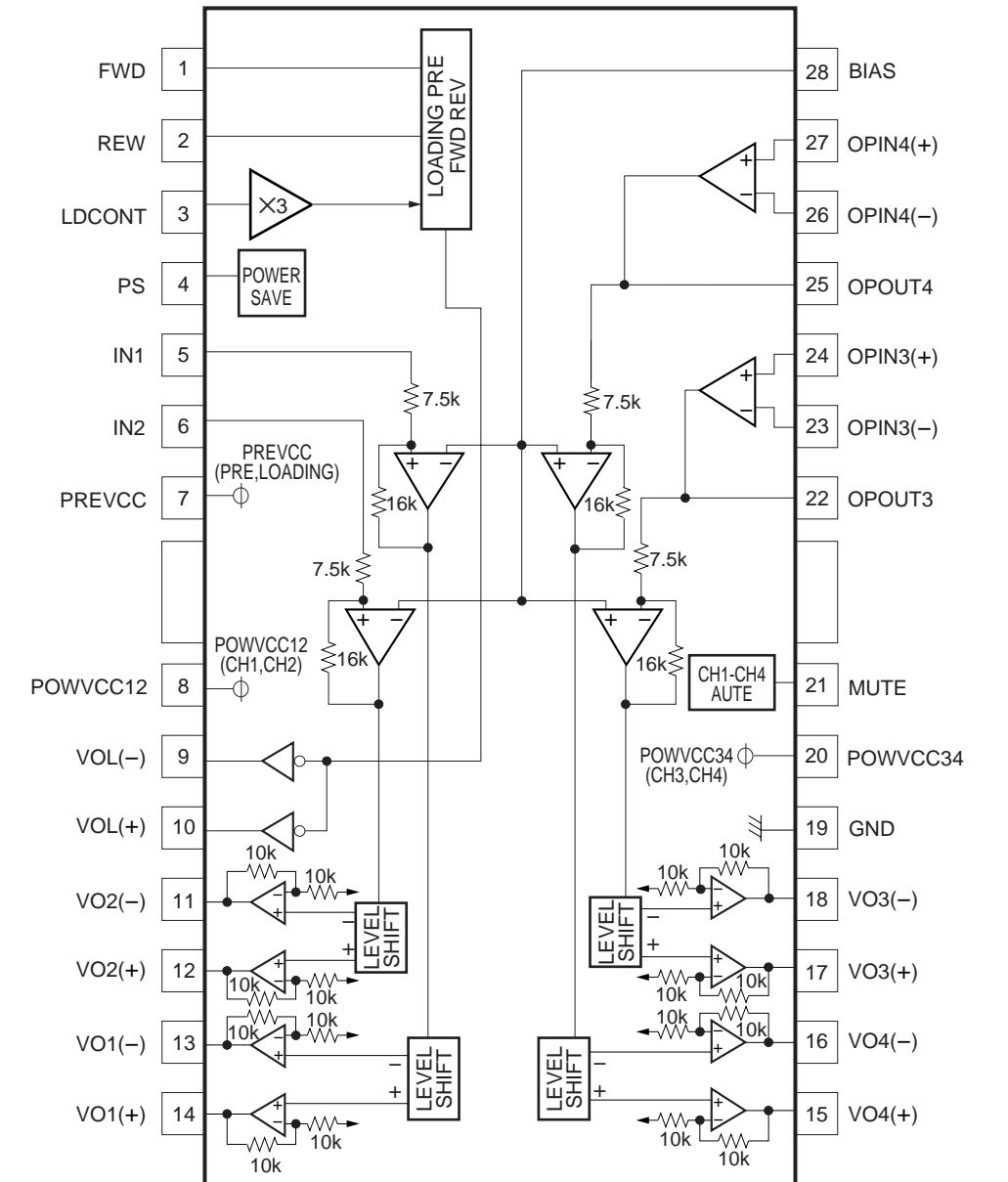
NJM2904V (IC602) [for GM Board]



BA6664FM (IC700) [for GM Board]



BA5810FP (IC703) [for GM Board]



SECTION 5 ELECTRICAL PARTS LIST

NOTE :

- Due to standardization, replacements in the parts list may be different from the parts specified in the diagrams or the components used on the set.
- -XX and -X mean standardized parts, so they may have some difference from the original one.
- RESISTORS
METAL : Metal-film resistor.
F : nonflammable
Unit is Ω.

SEMICONDUCTORS

- In each case, u : μ, for example :
 uA . . : μA . . uPA . . : μPA . .
 uPB . . : μPB . . uPC . . : μPC . . uPD . . : μPD . .
- CAPACITORS
uF : μF
 - COILS
uH : μH

The components identified by mark Δ or dotted line with mark. Δ are critical for safety. Replace only with part number specified.

When indicating parts by reference number, please include the board.

Ref.	Part No.	Description
	A-6712-831-A	MOUNTED CIRCUIT BOARD,GH-006-11 for SCPH-30003, -30004
	A-6712-836-A	MOUNTED CIRCUIT BOARD,GH-006-11 for SCPH-30002
	A-6712-835-A	MOUNTED CIRCUIT BOARD,GH-006-21 for SCPH-30003, -30004
	A-6712-837-A	MOUNTED CIRCUIT BOARD,GH-006-21 for SCPH-30002
	***** PLACE CODE #25GH	
	<CAPACITOR>	
C101	1-128-964-91	CAP, CHIP TANTALUM ELECT 100MF
C102	1-128-964-91	CAP, CHIP TANTALUM ELECT 100MF
C103	1-128-964-91	CAP, CHIP TANTALUM ELECT 100MF
C104	1-107-826-91	CAP, CHIP CERAMIC 100000PF B
C105	1-107-826-91	CAP, CHIP CERAMIC 100000PF B
C106	1-107-826-91	CAP, CHIP CERAMIC 100000PF B
C107	1-107-826-91	CAP, CHIP CERAMIC 100000PF B
C108	1-107-826-91	CAP, CHIP CERAMIC 100000PF B
C109	1-107-826-91	CAP, CHIP CERAMIC 100000PF B
C110	1-107-826-91	CAP, CHIP CERAMIC 100000PF B
C111	1-107-826-91	CAP, CHIP CERAMIC 100000PF B
C112	1-107-826-91	CAP, CHIP CERAMIC 100000PF B
C113	1-107-826-91	CAP, CHIP CERAMIC 100000PF B
C114	1-107-826-91	CAP, CHIP CERAMIC 100000PF B
C115	1-107-826-91	CAP, CHIP CERAMIC 100000PF B
C116	1-107-826-91	CAP, CHIP CERAMIC 100000PF B
C117	1-107-826-91	CAP, CHIP CERAMIC 100000PF B
C118	1-107-826-91	CAP, CHIP CERAMIC 100000PF B
C119	1-107-826-91	CAP, CHIP CERAMIC 100000PF B
C120	1-107-826-91	CAP, CHIP CERAMIC 100000PF B
C121	1-107-826-91	CAP, CHIP CERAMIC 100000PF B
C122	1-107-826-91	CAP, CHIP CERAMIC 100000PF B
C123	1-107-826-91	CAP, CHIP CERAMIC 100000PF B
C124	1-107-826-91	CAP, CHIP CERAMIC 100000PF B
C125	1-107-826-91	CAP, CHIP CERAMIC 100000PF B
C126	1-107-826-91	CAP, CHIP CERAMIC 100000PF B
C127	1-107-826-91	CAP, CHIP CERAMIC 100000PF B
C128	1-107-826-91	CAP, CHIP CERAMIC 100000PF B
C129	1-107-826-91	CAP, CHIP CERAMIC 100000PF B
C131	1-162-970-91	CAP, CERAMIC 10000PF B (1608)
C132	1-107-826-91	CAP, CHIP CERAMIC 100000PF B
C134	1-107-826-91	CAP, CHIP CERAMIC 100000PF B
C135	1-107-826-91	CAP, CHIP CERAMIC 100000PF B
C136	1-162-964-91	CAP,CHIP CERAMIC 1000PF B (1608)
C137	1-107-826-91	CAP, CHIP CERAMIC 100000PF B
C138	1-107-826-91	CAP, CHIP CERAMIC 100000PF B
C139	1-107-826-91	CAP, CHIP CERAMIC 100000PF B
C140	1-107-826-91	CAP, CHIP CERAMIC 100000PF B
C141	1-135-609-91	CAP, CHIP TANTALUM ELECT 220MF
C142	1-107-826-91	CAP, CHIP CERAMIC 100000PF B

SCRef.	Part No.	Description
C143	1-107-826-91	CAP, CHIP CERAMIC 100000PF B
C144	1-107-826-91	CAP, CHIP CERAMIC 100000PF B
C145	1-107-826-91	CAP, CHIP CERAMIC 100000PF B
C146	1-162-964-91	CAP,CHIP CERAMIC 1000PF B (1608)
C147	1-162-964-91	CAP,CHIP CERAMIC 1000PF B (1608)
C148	1-107-826-91	CAP, CHIP CERAMIC 100000PF B
C149	1-107-826-91	CAP, CHIP CERAMIC 100000PF B
C150	1-162-970-91	CAP, CERAMIC 10000PF B (1608)
C151	1-164-160-91	CAP,CERAMIC 20PF CH (1608)
C152	1-164-160-91	CAP,CERAMIC 20PF CH (1608)
C153	1-162-970-91	CAP, CERAMIC 10000PF B (1608)
C154	1-162-970-91	CAP, CERAMIC 10000PF B (1608)
C155	1-107-826-91	CAP, CHIP CERAMIC 100000PF B
C156	1-107-826-91	CAP, CHIP CERAMIC 100000PF B
C157	1-107-826-91	CAP, CHIP CERAMIC 100000PF B
C158	1-162-970-91	CAP, CERAMIC 10000PF B (1608)
C159	1-107-826-91	CAP, CHIP CERAMIC 100000PF B
C160	1-162-925-91	CAP, CERAMIC 68PF CH (1608)
C161	1-128-964-91	CAP, CHIP TANTALUM ELECT 100MF
C162	1-162-925-91	CAP, CERAMIC 68PF CH (1608)
C163	1-128-964-91	CAP, CHIP TANTALUM ELECT 100MF
C164	1-128-964-91	CAP, CHIP TANTALUM ELECT 100MF
C168	1-162-964-91	CAP,CHIP CERAMIC 1000PF B (1608)
C169	1-162-927-91	CAP, CERAMIC 100PF CH (1608)
C170	1-125-837-91	CAP, CHIP CERAMIC 1MF B (1608)
C175	1-107-826-91	CAP, CHIP CERAMIC 100000PF B
C176	1-107-826-91	CAP, CHIP CERAMIC 100000PF B
C212	1-125-837-91	CAP, CHIP CERAMIC 1MF B (1608)
C213	1-125-837-91	CAP, CHIP CERAMIC 1MF B (1608)
C214	1-125-837-91	CAP, CHIP CERAMIC 1MF B (1608)
C215	1-125-837-91	CAP, CHIP CERAMIC 1MF B (1608)
C216	1-125-837-91	CAP, CHIP CERAMIC 1MF B (1608)
C217	1-125-837-91	CAP, CHIP CERAMIC 1MF B (1608)
C218	1-125-837-91	CAP, CHIP CERAMIC 1MF B (1608)
C219	1-125-837-91	CAP, CHIP CERAMIC 1MF B (1608)
C220	1-125-837-91	CAP, CHIP CERAMIC 1MF B (1608)
C221	1-125-837-91	CAP, CHIP CERAMIC 1MF B (1608)
C222	1-125-837-91	CAP, CHIP CERAMIC 1MF B (1608)
C223	1-125-837-91	CAP, CHIP CERAMIC 1MF B (1608)
C224	1-125-837-91	CAP, CHIP CERAMIC 1MF B (1608)
C225	1-125-837-91	CAP, CHIP CERAMIC 1MF B (1608)
C226	1-125-837-91	CAP, CHIP CERAMIC 1MF B (1608)
C227	1-125-837-91	CAP, CHIP CERAMIC 1MF B (1608)
C228	1-125-837-91	CAP, CHIP CERAMIC 1MF B (1608)
C229	1-125-837-91	CAP, CHIP CERAMIC 1MF B (1608)
C230	1-125-837-91	CAP, CHIP CERAMIC 1MF B (1608)
C231	1-125-837-91	CAP, CHIP CERAMIC 1MF B (1608)
C232	1-125-837-91	CAP, CHIP CERAMIC 1MF B (1608)
C233	1-125-837-91	CAP, CHIP CERAMIC 1MF B (1608)
C234	1-125-837-91	CAP, CHIP CERAMIC 1MF B (1608)
C235	1-125-837-91	CAP, CHIP CERAMIC 1MF B (1608)

Ref.	Part No.	Description
C236	1-125-837-91	CAP, CHIP CERAMIC 1MF B (1608)
C237	1-125-837-91	CAP, CHIP CERAMIC 1MF B (1608)
C238	1-125-837-91	CAP, CHIP CERAMIC 1MF B (1608)
C239	1-125-837-91	CAP, CHIP CERAMIC 1MF B (1608)
C240	1-125-837-91	CAP, CHIP CERAMIC 1MF B (1608)
C241	1-125-837-91	CAP, CHIP CERAMIC 1MF B (1608)
C242	1-128-707-22	CAP, TANTALUM ELECT (SMD)220
C243	1-135-609-91	CAP, CHIP TANTALUM ELECT 220MF
C244	1-128-707-22	CAP, TANTALUM ELECT (SMD)220
C245	1-128-707-22	CAP, TANTALUM ELECT (SMD)220
C247	1-107-826-91	CAP, CHIP CERAMIC 100000PF B
C248	1-107-826-91	CAP, CHIP CERAMIC 100000PF B
C249	1-115-156-91	CAP, CERAMIC 100000PF F (1608)
C250	1-127-760-91	CAP, CERAMIC 4.7MF (2012)
C252	1-107-826-91	CAP, CHIP CERAMIC 100000PF B
C254	1-107-826-91	CAP, CHIP CERAMIC 100000PF B
C255	1-107-826-91	CAP, CHIP CERAMIC 100000PF B
C256	1-107-826-91	CAP, CHIP CERAMIC 100000PF B
C257	1-125-837-91	CAP, CHIP CERAMIC 1MF B (1608)
C261	1-128-004-21	CAP, ELECT (CHIP) 10MF
C262	1-128-004-21	CAP, ELECT (CHIP) 10MF
C263	1-128-004-21	CAP, ELECT (CHIP) 10MF
C265	1-117-720-91	CAP, CERAMIC 4.7MF F (2012)
C266	1-128-004-21	CAP, ELECT (CHIP) 10MF
C267	1-126-210-21	CAP, ELECT 220MF
C268	1-126-210-21	CAP, ELECT 220MF
C269	1-164-160-91	CAP,CERAMIC 20PF CH (1608)
C270	1-125-777-81	CAP, CHIP CERAMIC 0.1MF B (1005)
C271	1-125-777-81	CAP, CHIP CERAMIC 0.1MF B (1005)
C272	1-125-777-81	CAP, CHIP CERAMIC 0.1MF B (1005)
C275	1-125-777-81	CAP, CHIP CERAMIC 0.1MF B (1005)
C276	1-164-874-81	CAP,CHIP CERAMIC 100PF CH (1005)
C277	1-164-874-81	CAP,CHIP CERAMIC 100PF CH (1005)
C278	1-113-619-91	CAP, CERAMIC 470000PF F (1608)
C279	1-113-619-91	CAP, CERAMIC 470000PF F (1608)
C281	1-115-156-91	CAP, CERAMIC 100000PF F (1608)
C282	1-113-619-91	CAP, CERAMIC 470000PF F (1608)
C283	1-107-826-91	CAP, CHIP CERAMIC 100000PF B
C285	1-113-619-91	CAP, CERAMIC 470000PF F (1608)
C286	1-113-619-91	CAP, CERAMIC 470000PF F (1608)
C287	1-107-826-91	CAP, CHIP CERAMIC 100000PF B
C288	1-125-837-91	CAP, CHIP CERAMIC 1MF B (1608)
C289	1-164-937-81	CAP, CHIP CERAMIC 1000PF B (1005)
C290	1-113-619-91	CAP, CERAMIC 470000PF F (1608)
C291	1-162-923-91	CAP, CERAMIC 47PF CH (1608)
C292	1-107-725-91	CAP, CERAMIC 100000PF B (2012)
C293	1-137-765-21	CAP, ELECT 47MF
C294	1-107-826-91	CAP, CHIP CERAMIC 100000PF B
C295	1-107-826-91	CAP, CHIP CERAMIC 100000PF B
C296	1-126-210-21	CAP, ELECT 220MF
C297	1-126-210-21	CAP, ELECT 220MF
C298	1-126-210-21	CAP, ELECT 220MF
C302	1-125-777-81	CAP, CHIP CERAMIC 0.1MF B (1005)
C303	1-125-777-81	CAP, CHIP CERAMIC 0.1MF B (1005)
C304	1-164-937-81	CAP, CHIP CERAMIC 1000PF B (1005)
C306	1-164-387-91	CAP, CERAMIC 240PF CH (1608)
C307	1-107-826-91	CAP, CHIP CERAMIC 100000PF B
C308	1-165-112-91	CAP, CERAMIC 330000PF F (1608)
C309	1-162-970-91	CAP, CERAMIC 10000PF B (1608)
C310	1-162-970-91	CAP, CERAMIC 10000PF B (1608)
C311	1-162-916-91	CAP, CERAMIC 12PF CH (1608)
C312	1-162-917-91	CAP, CERAMIC 15PF CH (1608)
C313	1-162-910-91	CAP, CERAMIC 5.0PF CH (1608)
C314	1-162-910-91	CAP, CERAMIC 5.0PF CH (1608)
C315	1-125-777-81	CAP, CHIP CERAMIC 0.1MF B (1005)
C316	1-165-112-91	CAP, CERAMIC 330000PF F (1608)

Ref.	Part No.	Description
C317	1-162-970-91	CAP, CERAMIC 10000PF B (1608)
C318	1-162-970-91	CAP, CERAMIC 10000PF B (1608)
C319	1-162-970-91	CAP, CERAMIC 10000PF B (1608)
C320	1-162-970-91	CAP, CERAMIC 10000PF B (1608)
C321	1-162-970-91	CAP, CERAMIC 10000PF B (1608)
C322	1-162-970-91	CAP, CERAMIC 10000PF B (1608)
C323	1-162-970-91	CAP, CERAMIC 10000PF B (1608)
C325	1-162-970-91	CAP, CERAMIC 10000PF B (1608)
C326	1-162-970-91	CAP, CERAMIC 10000PF B (1608)
C327	1-162-970-91	CAP, CERAMIC 10000PF B (1608)
C328	1-162-970-91	CAP, CERAMIC 10000PF B (1608)
C329	1-162-970-91	CAP, CERAMIC 10000PF B (1608)
C330	1-162-970-91	CAP, CERAMIC 10000PF B (1608)
C331	1-162-970-91	CAP, CERAMIC 10000PF B (1608)
C332	1-162-970-91	CAP, CERAMIC 10000PF B (1608)
C333	1-162-970-91	CAP, CERAMIC 10000PF B (1608)
C334	1-162-970-91	CAP, CERAMIC 10000PF B (1608)
C335	1-162-970-91	CAP, CERAMIC 10000PF B (1608)
C336	1-162-970-91	CAP, CERAMIC 10000PF B (1608)
C337	1-162-970-91	CAP, CERAMIC 10000PF B (1608)
C338	1-107-826-91	CAP, CHIP CERAMIC 100000PF B
C339	1-125-764-41	CAP, CHIP CERAMIC 100PF CH
C340	1-125-764-41	CAP, CHIP CERAMIC 100PF CH
C341	1-125-764-41	CAP, CHIP CERAMIC 100PF CH
C355	1-107-826-91	CAP, CHIP CERAMIC 100000PF B
C356	1-107-826-91	CAP, CHIP CERAMIC 100000PF B
C363	1-107-826-91	CAP, CHIP CERAMIC 100000PF B
C364	1-107-826-91	CAP, CHIP CERAMIC 100000PF B
C365	1-107-826-91	CAP, CHIP CERAMIC 100000PF B
C366	1-107-826-91	CAP, CHIP CERAMIC 100000PF B
C367	1-107-826-91	CAP, CHIP CERAMIC 100000PF B
C368	1-125-777-81	CAP, CHIP CERAMIC 0.1MF B (1005)
C369	1-125-777-81	CAP, CHIP CERAMIC 0.1MF B (1005)
C370	1-162-964-91	CAP,CHIP CERAMIC 1000PF B (1608)
C371	1-162-964-91	CAP,CHIP CERAMIC 1000PF B (1608)
C372	1-128-995-21	CAP, ELECT 100MF
C373	1-128-995-21	CAP, ELECT 100MF
C401	1-162-964-91	CAP,CHIP CERAMIC 1000PF B (1608)
C409	1-162-969-91	CAP, CERAMIC 6800PF B (1608)
C410	1-162-969-91	CAP, CERAMIC 6800PF B (1608)
C414	1-162-965-91	CAP, CERAMIC 1500PF B (1608)
C415	1-162-965-91	CAP, CERAMIC 1500PF B (1608)
C416		

Ref.	Part No.	Description
C447	1-107-682-91	CAP, CERAMIC 100000PF B 3216
C450	1-107-826-91	CAP, CHIP CERAMIC 100000PF B
C457	1-124-779-21	CAP, ELECT 10MF
C466	1-107-826-91	CAP, CHIP CERAMIC 100000PF B
C468	1-126-209-21	CAP, ELECT 100MF
C477	1-124-779-21	CAP, ELECT 10MF
C490	1-126-209-21	CAP, ELECT 100MF
C491	1-117-681-21	CAP, ELECT 100MF
C492	1-107-826-91	CAP, CHIP CERAMIC 100000PF B
C494	1-125-777-81	CAP, CHIP CERAMIC 0.1MF B (1005)
C495	1-107-826-91	CAP, CHIP CERAMIC 100000PF B
C496	1-125-837-91	CAP, CHIP CERAMIC 1MF B (1608)
C500	1-117-720-91	CAP, CERAMIC 4.7MF F (2012)
C501	1-117-720-91	CAP, CERAMIC 4.7MF F (2012)
C503	1-107-725-91	CAP, CERAMIC 100000PF B (2012)
C504	1-117-720-91	CAP, CERAMIC 4.7MF F (2012)
C505	1-113-619-91	CAP, CERAMIC 470000PF F (1608) for GH006-11
C506	1-107-826-91	CAP, CHIP CERAMIC 100000PF B
C508	1-113-619-91	CAP, CERAMIC 470000PF F (1608)
C509	1-113-619-91	CAP, CERAMIC 470000PF F (1608)
C510	1-113-619-91	CAP, CERAMIC 470000PF F (1608)
C511	1-162-964-91	CAP, CHIP CERAMIC 1000PF B (1608)
C512	1-113-619-91	CAP, CERAMIC 470000PF F (1608) for GH006-11
C513	1-113-619-91	CAP, CERAMIC 470000PF F (1608)
C514	1-113-619-91	CAP, CERAMIC 470000PF F (1608)
C516	1-113-619-91	CAP, CERAMIC 470000PF F (1608)
C517	1-113-619-91	CAP, CERAMIC 470000PF F (1608)
C518	1-113-619-91	CAP, CERAMIC 470000PF F (1608)
C520	1-164-874-81	CAP, CHIP CERAMIC 100PF CH (1005)
C521	1-125-837-91	CAP, CHIP CERAMIC 1MF B (1608)
C522	1-164-156-91	CAP, CHIP CERAMIC 0.1MF F (1608)
C523	1-107-726-91	CAP, CHIP CERAMIC 10000PF B (1608)
C524	1-113-619-91	CAP, CERAMIC 470000PF F (1608)
C525	1-113-619-91	CAP, CERAMIC 470000PF F (1608)
C526	1-164-156-91	CAP, CHIP CERAMIC 0.1MF F (1608) for GH006-21
C527	1-162-964-91	CAP, CHIP CERAMIC 1000PF B (1608)
C528	1-125-837-91	CAP, CHIP CERAMIC 1MF B (1608)
C529	1-128-008-21	CAP, ELECT (CHIP) 3.3MF
C530	1-128-008-21	CAP, ELECT (CHIP) 3.3MF
C532	1-164-874-81	CAP, CHIP CERAMIC 100PF CH (1005)
C533	1-113-619-91	CAP, CERAMIC 470000PF F (1608)
C534	1-113-619-91	CAP, CERAMIC 470000PF F (1608)
C535	1-113-619-91	CAP, CERAMIC 470000PF F (1608)
C536	1-113-619-91	CAP, CERAMIC 470000PF F (1608)
C537	1-113-619-91	CAP, CERAMIC 470000PF F (1608)
C538	1-113-619-91	CAP, CERAMIC 470000PF F (1608)
C539	1-113-619-91	CAP, CERAMIC 470000PF F (1608)
C540	1-113-619-91	CAP, CERAMIC 470000PF F (1608)
C541	1-113-619-91	CAP, CERAMIC 470000PF F (1608)
C542	1-164-874-81	CAP, CHIP CERAMIC 100PF CH (1005)
C543	1-113-619-91	CAP, CERAMIC 470000PF F (1608) for GH006-21
C601	1-164-156-91	CAP, CHIP CERAMIC 0.1MF F (1608)
C603	1-164-937-81	CAP, CHIP CERAMIC 1000PF B (1005)
C605	1-164-937-81	CAP, CHIP CERAMIC 1000PF B (1005)
C606	1-162-964-91	CAP, CHIP CERAMIC 1000PF B (1608)
C607	1-162-968-91	CAP, CHIP CERAMIC 4700PF B (1608)
C609	1-107-826-91	CAP, CHIP CERAMIC 100000PF B
C623	1-164-156-91	CAP, CHIP CERAMIC 0.1MF F (1608)
C624	1-107-826-91	CAP, CHIP CERAMIC 100000PF B
C625	1-164-156-91	CAP, CHIP CERAMIC 0.1MF F (1608)
C627	1-162-966-91	CAP, CERAMIC 2200PF B (1608)
C628	1-162-966-91	CAP, CERAMIC 2200PF B (1608)
C629	1-164-156-91	CAP, CHIP CERAMIC 0.1MF F (1608)
C630	1-164-173-91	CAP, CERAMIC 3900PF B (1608)
C631	1-162-968-91	CAP, CHIP CERAMIC 4700PF B (1608)
C632	1-107-826-91	CAP, CHIP CERAMIC 100000PF B

Ref.	Part No.	Description
C633	1-164-156-91	CAP, CHIP CERAMIC 0.1MF F (1608)
C634	1-164-156-91	CAP, CHIP CERAMIC 0.1MF F (1608)
C635	1-162-968-91	CAP, CHIP CERAMIC 4700PF B (1608)
C636	1-125-777-81	CAP, CHIP CERAMIC 0.1MF B (1005)
C637	1-164-937-81	CAP, CHIP CERAMIC 1000PF B (1005)
C638	1-164-943-81	CAP, CHIP CERAMIC 10000PF B (1005)
C639	1-164-217-91	CAP, CERAMIC 150PF CH (1608)
C640	1-135-259-91	CAP, CHIP TANTALUM ELECT 10MF
C642	1-164-156-91	CAP, CHIP CERAMIC 0.1MF F (1608)
C643	1-125-777-81	CAP, CHIP CERAMIC 0.1MF B (1005)
C644	1-164-882-81	CAP, CHIP CERAMIC 220PF CH (1005)
C645	1-165-176-91	CAP, CERAMIC 47000PF B (1608)
C646	1-164-937-81	CAP, CHIP CERAMIC 1000PF B (1005)
C647	1-117-863-91	CAP, CHIP CERAMIC 0.47MF B (1608)
C648	1-107-820-81	CAP, CHIP CERAMIC 100000PF F
C649	1-164-943-81	CAP, CHIP CERAMIC 10000PF B (1005)
C650	1-164-882-81	CAP, CHIP CERAMIC 220PF CH (1005)
C651	1-164-939-81	CAP, CHIP CERAMIC 2200PF B (1005)
C652	1-125-777-81	CAP, CHIP CERAMIC 0.1MF B (1005)
C653	1-164-939-81	CAP, CHIP CERAMIC 2200PF B (1005)
C654	1-164-156-91	CAP, CHIP CERAMIC 0.1MF F (1608)
C655	1-135-259-91	CAP, CHIP TANTALUM ELECT 10MF
C656	1-107-820-81	CAP, CHIP CERAMIC 100000PF F
C657	1-164-230-91	CAP, CERAMIC 220PF CH (1608)
C658	1-164-882-81	CAP, CHIP CERAMIC 220PF CH (1005)
C660	1-125-777-81	CAP, CHIP CERAMIC 0.1MF B (1005)
C661	1-107-820-81	CAP, CHIP CERAMIC 100000PF F
C662	1-164-156-91	CAP, CHIP CERAMIC 0.1MF F (1608)
C663	1-164-156-91	CAP, CHIP CERAMIC 0.1MF F (1608)
C664	1-135-259-91	CAP, CHIP TANTALUM ELECT 10MF
C665	1-107-820-81	CAP, CHIP CERAMIC 100000PF F
C666	1-107-820-81	CAP, CHIP CERAMIC 100000PF F
C667	1-107-820-81	CAP, CHIP CERAMIC 100000PF F
C668	1-107-826-91	CAP, CHIP CERAMIC 100000PF B
C671	1-164-156-91	CAP, CHIP CERAMIC 0.1MF F (1608)
C672	1-164-156-91	CAP, CHIP CERAMIC 0.1MF F (1608)
C673	1-164-156-91	CAP, CHIP CERAMIC 0.1MF F (1608)
C674	1-164-156-91	CAP, CHIP CERAMIC 0.1MF F (1608)
C675	1-107-820-81	CAP, CHIP CERAMIC 100000PF F
C676	1-107-820-81	CAP, CHIP CERAMIC 100000PF F
C680	1-162-964-91	CAP, CHIP CERAMIC 1000PF B (1608)
C685	1-117-863-91	CAP, CHIP CERAMIC 0.47MF B (1608)
C688	1-162-964-91	CAP, CHIP CERAMIC 1000PF B (1608)
C689	1-162-968-91	CAP, CHIP CERAMIC 4700PF B (1608)
C901	1-107-826-91	CAP, CHIP CERAMIC 100000PF B
C902	1-107-826-91	CAP, CHIP CERAMIC 100000PF B
C903	1-107-826-91	CAP, CHIP CERAMIC 100000PF B
C904	1-107-826-91	CAP, CHIP CERAMIC 100000PF B
C905	1-107-826-91	CAP, CHIP CERAMIC 100000PF B
C906	1-107-826-91	CAP, CHIP CERAMIC 100000PF B
C907	1-107-826-91	CAP, CHIP CERAMIC 100000PF B
C908	1-107-826-91	CAP, CHIP CERAMIC 100000PF B
C909	1-107-826-91	CAP, CHIP CERAMIC 100000PF B
C910	1-107-826-91	CAP, CHIP CERAMIC 100000PF B
C911	1-107-826-91	CAP, CHIP CERAMIC 100000PF B
C912	1-107-826-91	CAP, CHIP CERAMIC 100000PF B
C913	1-107-826-91	CAP, CHIP CERAMIC 100000PF B
C914	1-107-826-91	CAP, CHIP CERAMIC 100000PF B
C915	1-107-826-91	CAP, CHIP CERAMIC 100000PF B
C916	1-107-826-91	CAP, CHIP CERAMIC 100000PF B
C917	1-107-826-91	CAP, CHIP CERAMIC 100000PF B
C918	1-107-826-91	CAP, CHIP CERAMIC 100000PF B
C919	1-107-826-91	CAP, CHIP CERAMIC 100000PF B
C920	1-107-826-91	CAP, CHIP CERAMIC 100000PF B
C921	1-107-826-91	CAP, CHIP CERAMIC 100000PF B
C922	1-107-826-91	CAP, CHIP CERAMIC 100000PF B

Ref.	Part No.	Description
C923	1-107-826-91	CAP, CHIP CERAMIC 100000PF B
C924	1-107-826-91	CAP, CHIP CERAMIC 100000PF B
C925	1-107-826-91	CAP, CHIP CERAMIC 100000PF B
C926	1-107-826-91	CAP, CHIP CERAMIC 100000PF B
C927	1-107-826-91	CAP, CHIP CERAMIC 100000PF B
C928	1-107-826-91	CAP, CHIP CERAMIC 100000PF B
C929	1-107-826-91	CAP, CHIP CERAMIC 100000PF B
C930	1-107-826-91	CAP, CHIP CERAMIC 100000PF B
C931	1-107-826-91	CAP, CHIP CERAMIC 100000PF B
C932	1-107-826-91	CAP, CHIP CERAMIC 100000PF B
C933	1-107-826-91	CAP, CHIP CERAMIC 100000PF B
C934	1-107-826-91	CAP, CHIP CERAMIC 100000PF B
C935	1-107-826-91	CAP, CHIP CERAMIC 100000PF B
C936	1-107-826-91	CAP, CHIP CERAMIC 100000PF B
C937	1-107-826-91	CAP, CHIP CERAMIC 100000PF B
C938	1-107-826-91	CAP, CHIP CERAMIC 100000PF B
C939	1-107-826-91	CAP, CHIP CERAMIC 100000PF B
C940	1-107-826-91	CAP, CHIP CERAMIC 100000PF B
C941	1-107-826-91	CAP, CHIP CERAMIC 100000PF B
C942	1-107-826-91	CAP, CHIP CERAMIC 100000PF B
C943	1-107-826-91	CAP, CHIP CERAMIC 100000PF B
C944	1-107-826-91	CAP, CHIP CERAMIC 100000PF B
C945	1-107-826-91	CAP, CHIP CERAMIC 100000PF B
C946	1-107-826-91	CAP, CHIP CERAMIC 100000PF B
C947	1-107-826-91	CAP, CHIP CERAMIC 100000PF B
C948	1-107-826-91	CAP, CHIP CERAMIC 100000PF B
C949	1-107-826-91	CAP, CHIP CERAMIC 100000PF B
C950	1-107-826-91	CAP, CHIP CERAMIC 100000PF B
C951	1-107-826-91	CAP, CHIP CERAMIC 100000PF B
C952	1-107-826-91	CAP, CHIP CERAMIC 100000PF B
C953	1-107-826-91	CAP, CHIP CERAMIC 100000PF B
C954	1-107-826-91	CAP, CHIP CERAMIC 100000PF B
C955	1-107-826-91	CAP, CHIP CERAMIC 100000PF B
C956	1-107-826-91	CAP, CHIP CERAMIC 100000PF B
C957	1-107-826-91	CAP, CHIP CERAMIC 100000PF B
C958	1-107-826-91	CAP, CHIP CERAMIC 100000PF B
C959	1-107-826-91	CAP, CHIP CERAMIC 100000PF B
C960	1-107-826-91	CAP, CHIP CERAMIC 100000PF B
C961	1-107-826-91	CAP, CHIP CERAMIC 100000PF B
C962	1-107-826-91	CAP, CHIP CERAMIC 100000PF B
C963	1-107-826-91	CAP, CHIP CERAMIC 100000PF B
C965	1-107-826-91	CAP, CHIP CERAMIC 100000PF B
C966	1-107-826-91	CAP, CHIP CERAMIC 100000PF B
C967	1-125-837-91	CAP, CHIP CERAMIC 1MF B (1608)
C968	1-125-837-91	CAP, CHIP CERAMIC 1MF B (1608)
C980	1-107-826-91	CAP, CHIP CERAMIC 100000PF B
C981	1-107-826-91	CAP, CHIP CERAMIC 100000PF B
C982	1-107-826-91	CAP, CHIP CERAMIC 100000PF B
C983	1-107-826-91	CAP, CHIP CERAMIC 100000PF B
C984	1-107-826-91	CAP, CHIP CERAMIC 100000PF B
C985	1-107-826-91	CAP, CHIP CERAMIC 100000PF B
C986	1-107-826-91	CAP, CHIP CERAMIC 100000PF B
C987	1-107-826-91	CAP, CHIP CERAMIC 100000PF B
C988	1-107-826-91	CAP, CHIP CERAMIC 100000PF B
C989	1-107-826-91	CAP, CHIP CERAMIC 100000PF B
C990	1-125-837-91	CAP, CHIP CERAMIC 1MF B (1608)
CN201	1-794-209-11	CONNECTOR, SQUARE TYPE 12P
CN301	1-794-208-11	CONNECTOR, SQUARE TYPE 4P
CN302	1-794-206-21	CONNECTOR, FFC/FPC (ZIF) 36P
CN303	1-794-207-11	CONNECTOR, USB 8P
CN403	1-770-619-21	PIN, CONNECTOR 2P
CN406	1-815-226-21	CONNECTOR, FFC/FPC (ZIF) 40P
CN407	1-815-301-11	PIN, CONNECTOR 4P
CN408	1-815-302-11	PIN, CONNECTOR (PLUG) 34P

Ref.	Part No.	Description
CN501	1-418-965-11	TRANSMITTER UNIT, LIGHT
CN504	1-815-190-21	CONNECTOR BOARD TO BOARD 110P
CN604	1-793-823-21	CONNECTOR, FFC/FPC (ZIF) 54P
		<NETWORK>
CP201	1-234-605-21	NETWORK, RC
		<DIODE>
D201	8-719-065-78	DIODE MAZF12000LS0
D202	8-719-064-61	DIODE 01BZA8.2 (TE85L)
D203	8-719-064-61	DIODE 01BZA8.2 (TE85L)
D204	8-719-064-61	DIODE 01BZA8.2 (TE85L)
D205	8-719-064-61	DIODE 01BZA8.2 (TE85L)
D206	8-719-064-61	DIODE 01BZA8.2 (TE85L)
D208	8-719-064-61	DIODE 01BZA8.2 (TE85L)
D209	8-719-064-61	DIODE 01BZA8.2 (TE85L)
D210	8-719-064-61	DIODE 01BZA8.2 (TE85L)
D301	8-719-071-87	DIODE MA785-(TX), SO
D302	8-719-071-87	DIODE MA785-(TX), SO
D402	8-719-074-34	DIODE RB495D-T146
D403	8-719-074-34	DIODE RB495D-T146
D405	8-719-078-04	DIODE EC31QSO3L-TE12L
D500	8-719-941-21	DIODE DAP202UT106
D501	8-719-082-76	DIODE CL-201TLY-C-TU
		<FUSE>
△ F001	1-576-434-21	FUSE, CHIP
△ F002	1-576-434-21	FUSE, CHIP
		<FERRITE BEAD>
FB102	1-469-667-21	FERRITE, EMI (SMD)
FB103	1-469-667-21	FERRITE, EMI (SMD)
FB201	1-414-813-21	FERRITE, EMI (SMD)
FB202	1-500-113-22	BEAD, FERRITE (CHIP)
FB203	1-500-113-22	BEAD, FERRITE (CHIP)
FB204	1-500-113-22	BEAD, FERRITE (CHIP)
FB205	1-500-113-22	BEAD, FERRITE (CHIP)
FB206	1-500-113-22	BEAD, FERRITE (CHIP)
FB303	1-414-555-21	FERRITE, EMI (SMD)
FB304	1-414-555-21	FERRITE, EMI (SMD)
FB305	1-414-555-21	FERRITE, EMI (SMD)
FB306	1-414-555-21	FERRITE, EMI (SMD)
FB307	1-414-555-21	FERRITE, EMI (SMD)
FB308	1-414-555-21	FERRITE, EMI (SMD)
FB309	1-414-555-21	FERRITE, EMI (SMD)
FB310	1-414-555-21	FERRITE, EMI (SMD)
FB311	1-414-555-21	FERRITE, EMI (SMD)
FB312	1-414-555-21	FERRITE, EMI (SMD)
FB313	1-469-324-21	FERRITE, EMI (SMD)
FB314	1-469-324-21	FERRITE, E

Ref.	Part No.	Description
IC202	8-759-699-08	IC CXD2944GB
IC205	8-759-696-97	IC SC44728APBEB
IC206	8-752-093-56	IC CXA3525R-T4
IC207	8-759-391-69	IC MC78M05CDTRK
IC208	8-759-683-81	IC SN74CBT1G125DCKR
IC209	8-759-697-60	IC MM3071CFBE
IC303	8-759-699-11	IC CXD9619GB
IC305	8-759-496-87	IC T7X16(YEL)
IC306	8-759-688-07	IC MM3051NULF
IC403	8-759-581-11	IC NJM2125F(T2)
IC404	8-759-689-89	IC SN104809DBTR
IC408	8-759-712-65	IC PQ070XZ01ZP
IC410	8-749-018-42	IC SI-3026LSA-TL
IC501	8-759-699-10	IC CXD9611R
IC502	8-759-712-79	IC K4E151612D-TL50T00
IC503	8-759-824-53	IC MR27V3202E-25TPZ020 for GH006-11
IC504	8-752-408-53	IC CXD2942AR
IC505	8-759-830-41	IC TC5364200FT-AE120 for SCPH-30003,-30004 GH006-21
IC505	8-759-830-43	IC TC5364200FT-AU120 for SCPH-30002 GH006-21
IC506	8-759-830-45	IC MR27V1602E-45TPZ020 for SCPH-30003,-30004 GH006-11
IC506	8-759-830-46	IC MR27V1602E-44TPZ020 for SCPH-30003 GH006-11
IC517	8-759-667-10	IC CS4335-KS
IC518	8-759-680-49	IC TC7WB125FK(TE85R) for GH006-21
IC603	8-759-370-11	IC NJM2100V-TE2
IC604	8-752-919-85	IC CXP102064-302R-T6 for SCPH-30002
IC604	8-752-919-95	IC CXP102064-201R-T6 for SCPH-30003,-30004
IC605	8-752-409-02	IC CXD1869AQ
IC606	8-759-712-38	IC HD74HC1G66CME
		<INDUCTOR>
L102	1-414-398-41	INDUCTOR (SMD) 10.0UH
L203	1-469-967-21	INDUCTOR, CHIP 10UH (2518)
L205	1-469-967-21	INDUCTOR, CHIP 10UH (2518)
L206	1-412-956-21	INDUCTOR, SMALL TYPE 27UH (2518)
L401	1-416-948-21	COIL, CHOKO 10UH
L402	1-416-948-21	COIL, CHOKE 10UH
L403	1-419-903-21	COIL (SMD), CHOKE 4.2UH
L404	1-419-905-21	COIL, CHOKE (SMD) 1.82UH
		<COIL>
LF101	1-419-100-21	COIL, COMMON-MODE CHOKE
LF303	1-419-521-21	COIL, COMMOM MODE CHOKE
LF304	1-419-521-21	COIL, COMMOM MODE CHOKE
LF305	1-419-521-21	COIL, COMMOM MODE CHOKE
LF306	1-419-521-21	COIL, COMMOM MODE CHOKE
		<LINK>
PS001	1-533-940-21	RINK, CHIP IC
PS002	1-533-940-21	RINK, CHIP IC
PS003	1-533-915-41	RINK, CHIP IC
PS004	1-533-674-21	RINK, CHIP IC
PS005	1-533-940-21	RINK, CHIP IC
		<TRANSISTOR>
Q201	8-729-026-50	TRANSISTOR 2SA1037AK-T146-QR
Q204	8-729-049-77	TRANSISTOR HN1B01F-GR(T5LSONY)
Q205	8-729-013-22	TRANSISTOR HN1A01FU-TE85R
Q401	8-729-051-63	TRANSISTOR SI4884DY-T1
Q402	8-729-053-79	TRANSISTOR IRF7901D1-TR
Q404	8-729-052-07	TRANSISTOR HAT2064R-EL
Q407	8-729-052-41	TRANSISTOR 2SC4541 (2TL SONY1)
Q408	8-729-054-34	TRANSISTOR FDN304P
Q505	8-729-021-09	TRANSISTOR RN4904(TE85R)

Ref.	Part No.	Description
Q506	8-729-047-71	TRANSISTOR FMG12-T-148
Q600	8-729-016-26	TRANSISTOR 2SK1958-T1
Q603	8-729-017-33	TRANSISTOR RN1706-TE85R
		<RESISTOR>
R101	1-211-983-91	RES, CHIP 39 (1608)
R102	1-218-826-91	RES, CHIP 130 (1608)
R103	1-211-983-91	RES, CHIP 39 (1608)
R104	1-218-826-91	RES, CHIP 130 (1608)
R105	1-216-864-91	CONDUCTOR, CHIP (1608)
R106	1-216-809-91	RES, CHIP 100 (1608)
R107	1-216-809-91	RES, CHIP 100 (1608)
R109	1-216-829-91	RES, CHIP 4.7K (1608)
R110	1-211-983-91	RES, CHIP 39 (1608)
R111	1-211-983-91	RES, CHIP 39 (1608)
R112	1-211-989-91	RES, CHIP 68 (1608)
R113	1-211-989-91	RES, CHIP 68 (1608)
R114	1-211-983-91	RES, CHIP 39 (1608)
R115	1-211-983-91	RES, CHIP 39 (1608)
R116	1-211-983-91	RES, CHIP 39 (1608)
R117	1-211-983-91	RES, CHIP 39 (1608)
R118	1-211-973-91	RES, CHIP 15 (1608)
R119	1-211-973-91	RES, CHIP 15 (1608)
R120	1-211-973-91	RES, CHIP 15 (1608)
R121	1-211-973-91	RES, CHIP 15 (1608)
R122	1-216-864-91	CONDUCTOR, CHIP (1608)
R123	1-216-864-91	CONDUCTOR, CHIP (1608)
R124	1-216-864-91	CONDUCTOR, CHIP (1608)
R125	1-216-864-91	CONDUCTOR, CHIP (1608)
R126	1-216-833-91	RES, CHIP 10K (1608)
R127	1-216-829-91	RES, CHIP 4.7K (1608)
R128	1-216-829-91	RES, CHIP 4.7K (1608)
R129	1-216-821-91	RES, CHIP 1.0K (1608)
R130	1-216-817-91	RES, CHIP 470 (1608)
R131	1-216-833-91	RES, CHIP 10K (1608)
R132	1-216-833-91	RES, CHIP 10K (1608)
R133	1-216-833-91	RES, CHIP 10K (1608)
R134	1-216-833-91	RES, CHIP 10K (1608)
R135	1-216-864-91	CONDUCTOR, CHIP (1608)
R136	1-216-864-91	CONDUCTOR, CHIP (1608)
R138	1-216-864-91	CONDUCTOR, CHIP (1608)
R139	1-216-801-91	RES, CHIP 22 (1608)
R145	1-216-821-91	RES, CHIP 1.0K (1608)
R146	1-216-821-91	RES, CHIP 1.0K (1608)
R147	1-216-821-91	RES, CHIP 1.0K (1608)
R185	1-216-829-91	RES, CHIP 4.7K (1608)
R188	1-216-829-91	RES, CHIP 4.7K (1608)
R196	1-216-801-91	RES, CHIP 22 (1608)
R202	1-216-833-91	RES, CHIP 10K (1608)
R203	1-216-864-91	CONDUCTOR, CHIP (1608)
R205	1-216-864-91	CONDUCTOR, CHIP (1608)
R208	1-216-864-91	CONDUCTOR, CHIP (1608)
R212	1-216-864-91	CONDUCTOR, CHIP (1608)
R213	1-216-864-91	CONDUCTOR, CHIP (1608)
R215	1-216-864-91	CONDUCTOR, CHIP (1608)
R216	1-216-809-91	RES, CHIP 100 (1608)
R217	1-218-859-91	RES, CHIP 3.3K (1608)
R218	1-218-847-91	RES, CHIP 1.0K (1608)
R219	1-218-851-91	RES, CHIP 1.5K (1608)
R220	1-216-801-91	RES, CHIP 22 (1608)
R225	1-216-833-91	RES, CHIP 10K (1608)
R226	1-218-965-81	RES, CHIP 10K (1608)
R227	1-216-864-91	CONDUCTOR, CHIP (1608)
R228	1-218-965-81	RES, CHIP 10K (1608)
R233	1-216-821-91	RES, CHIP 1.0K (1608)

Ref.	Part No.	Description
R236	1-216-809-91	RES, CHIP 100 (1608)
R237	1-216-829-91	RES, CHIP 4.7K (1608)
R244	1-218-831-91	RES, CHIP 220 (1608)
R245	1-218-831-91	RES, CHIP 220 (1608)
R246	1-218-831-91	RES, CHIP 220 (1608)
R247	1-216-801-91	RES, CHIP 22 (1608)
R251	1-216-837-91	RES, CHIP 22K (1608)
R252	1-216-839-91	RES, CHIP 33K (1608)
R253	1-216-833-91	RES, CHIP 10K (1608)
R257	1-216-824-91	RES, CHIP 1.8K (1608)
R258	1-218-883-91	RES, CHIP 33K (1608)
R259	1-216-824-91	RES, CHIP 1.8K (1608)
R261	1-216-829-91	RES, CHIP 4.7K (1608)
R263	1-216-825-91	RES, CHIP 2.2K (1608)
R264	1-216-821-91	RES, CHIP 1.0K (1608)
R265	1-216-821-91	RES, CHIP 1.0K (1608)
R270	1-218-853-91	RES, CHIP 1.8K (1608)
R272	1-218-859-91	RES, CHIP 3.3K (1608)
R273	1-218-851-91	RES, CHIP 1.5K (1608)
R277	1-218-853-91	RES, CHIP 1.8K (1608)
R278	1-218-859-91	RES, CHIP 3.3K (1608)
R279	1-218-851-91	RES, CHIP 1.5K (1608)
R292	1-216-833-91	RES, CHIP 10K (1608)
R294	1-216-829-91	RES, CHIP 4.7K (1608)
R295	1-216-817-91	RES, CHIP 470 (1608)
R307	1-211-987-91	RES, CHIP 56 (1608)
R308	1-218-864-91	RES, CHIP 5.1K (1608)
R309	1-211-987-91	RES, CHIP 56 (1608)
R310	1-211-987-91	RES, CHIP 56 (1608)
R311	1-216-829-91	RES, CHIP 4.7K (1608)
R312	1-211-987-91	RES, CHIP 56 (1608)
R315	1-218-866-91	RES, CHIP 6.2K (1608)
R316	1-216-797-91	RES, CHIP 10 (1608)
R318	1-216-864-91	CONDUCTOR, CHIP (1608)
R320	1-219-570-91	RES, CHIP 10M (1608)
R321	1-216-813-91	RES, CHIP 220 (1608)
R322	1-218-989-81	RES, CHIP 1M (1608)
R324	1-218-965-81	RES, CHIP 10K (1608)
R327	1-216-833-91	RES, CHIP 10K (1608)
R328	1-216-841-91	RES, CHIP 47K (1608)
R330	1-216-803-91	RES, CHIP 33 (1608)
R331	1-216-864-91	CONDUCTOR, CHIP (1608)
R332	1-216-817-91	RES, CHIP 470 (1608)
R333	1-216-817-91	RES, CHIP 470 (1608)
R334	1-216-829-91	RES, CHIP 4.7K (1608)
R335	1-216-829-91	RES, CHIP 4.7K (1608)
R336	1-216-821-91	RES, CHIP 1.0K (1608)
R347	1-211-986-91	RES, CHIP 51 (1608)
R349	1-216-821-91	RES, CHIP 1.0K (1608)
R350	1-216-807-91	RES, CHIP 68 (1608)
R351	1-216-805-91	RES, CHIP 47 (1608)
R352	1-216-797-91	RES, CHIP 10 (1608)
R355	1-218-933-81	RES, CHIP 22 (1608)
R356	1-216-801-91	RES, CHIP 22 (1608)
R357	1-218-933-81	RES, CHIP 22 (1608)
R358	1-218-933-81	RES, CHIP 22 (1608)
R359	1-216-801-91	RES, CHIP 22 (1608)
R360	1-216-805-91	RES, CHIP 47 (1608)
R361	1-216-805-91	RES, CHIP 47 (1608)
R362	1-218-937-81	RES, CHIP 47 (1608)
R363	1-216-864-91	CONDUCTOR, CHIP (1608)
R364	1-216-805-91	RES, CHIP 47 (1608)
R365	1-216-805-91	RES, CHIP 47 (1608)
R366	1-218-937-81	RES, CHIP 47 (1608)
R367	1-216-805-91	RES, CHIP 47 (1608)
R368	1-216-805-91	RES, CHIP 47 (1608)

Ref.	Part No.	Description
R394	1-216-833-91	RES, CHIP 10K (1608)
R395	1-216-825-91	RES, CHIP 2.2K (1608)
R401	1-216-857-91	RES, CHIP 1.0M (1608)
R402	1-216-845-91	RES, CHIP 100K (1608)
R406	1-216-811-91	RES, CHIP 150 (1608)
R407	1-216-811-91	RES, CHIP 150 (1608)
R409	1-218-835-91	RES, CHIP 330 (1608)
R410	1-218-883-91	RES, CHIP 33K (1608)
R411	1-218-883-91	RES, CHIP 33K (1608)
R412	1-218-883-91	RES, CHIP 33K (1608)
R413	1-218-883-91	RES, CHIP 33K (1608)
R414	1-218-835-91	RES, CHIP 330 (1608)
R417	1-216-813-91	RES, CHIP 220 (1608)
R418	1-216-817-91	RES, CHIP 470 (1608)
R421	1-216-790-91	RES, CHIP 2.7 (1608)
R422	1-216-797-91	RES, CHIP 10 (1608)
R423	1-216-790-91	RES, CHIP 2.7 (1608)
R424	1-216-797-91	RES, CHIP 10 (1608)
R425	1-218-985-81	RES, CHIP 470K (1608)
R426	1-218-879-91	RES, CHIP 22K (1608)
R427	1-218-875-91	RES, CHIP 15K (1608)
R428	1-216-309-91	RES, CHIP 5.6 (2012)
R430	1-216-813-91	RES, CHIP 220 (1608)
R433	1-216-826-91	RES, CHIP 2.7K (1608)
R438	1-218-850-91	RES, CHIP 1.3K (1608)
R439	1-218-857-91	RES, CHIP 2.7K (1608)
R448	1-216-829-91	RES, CHIP 4.7K (1608)
R451	1-216-813-91	RES, CHIP 220 (1608)
R470	1-216-837-91	RES, CHIP 22K (1608)
R471	1-218-985-81	RES, CHIP 470K (1608)
R472	1-218-871-91	RES, CHIP 10K (1608)
R473	1-218-863-91	RES, CHIP 4.7K (1608)
R474	1-216-827-91	RES, CHIP 3.3K (1608)
R475	1-216-822-91	RES, CHIP 1.2K (1608)
R476	1-216-813-91	RES, CHIP 220 (1608)
R477	1-216-816-91	RES, CHIP 390 (1608)
R478	1-216-813-91	RES, CHIP 220 (1608)
R479	1-216-816-91	RES, CHIP 390 (1608)
R496	1-216-864-91	CONDUCTOR,CHIP(1608) for SCPH-30002
R497	1-216-864-91	CONDUCTOR,CHIP(1608) for SCPH-30003,-30004
R503	1-216-803-91	RES, CHIP 33 (1608)
R504	1-216-803-91	RES, CHIP 33 (1608)
R505	1-216-803-91	RES, CHIP 33 (1608)
R506	1-216-809-91	RES, CHIP 100 (1608)
R507	1-218-937-81	RES, CHIP 47 (1608)
R509	1-216-821-91	RES, CHIP 1.0K (1608)
R511	1-216-806-91	RES, CHIP 56 (1608)
R513	1-218-937-81	RES, CHIP 47 (1608)
R514	1-216-806-91	RES, CHIP 56 (1608)
R515	1-216-806-91	RES, CHIP 56 (1608)
R516	1-218-941-81	RES, CHIP 100 (1608)
R517	1-218-941-81	RES, CHIP 100 (1608)
R520	1-216-806-91	RES, CHIP 56 (1608)
R521	1-216-806-91	RES, CHIP 56 (1608)
R522	1-216-833-91	RES, CHIP 10K (1608)
R527	1-216-821-91	RES, CHIP 1.0K (1608) for GH006-21
R531	1-216-809-91	RES, CHIP 100 (1608)
R574	1-216-812-91	RES, CHIP 180 (1608)
R601	1-216-864-91	CONDUCTOR, CHIP (1608)
R604	1-216-845-91	RES, CHIP 100K (1608)
R606	1-216-833-91	RES, CHIP 10K (1608)
R607	1-218-965-81	RES, CHIP 10K (1608)
R613	1-216-833-91	RES, CHIP 10K (1608)
R614	1-218-965-81	RES, CHIP 10K (1608)
R615	1-216-864-91	CONDUCTOR, CHIP (1608)
R616	1-216-864-91	CONDUCTOR, CHIP (1608)

Ref.	Part No.	Description	
R619	1-216-833-91	RES, CHIP 10K	(1608)
R620	1-216-833-91	RES, CHIP 10K	(1608)
R623	1-216-837-91	RES, CHIP 22K	(1608)
R624	1-216-850-91	RES, CHIP 270K	(1608)
R625	1-216-839-91	RES, CHIP 33K	(1608)
R626	1-218-965-81	RES, CHIP 10K	
R627	1-216-835-91	RES, CHIP 15K	(1608)
R630	1-216-837-91	RES, CHIP 22K	(1608)
R631	1-216-821-91	RES, CHIP 1.0K	(1608)
R632	1-216-821-91	RES, CHIP 1.0K	(1608)
R633	1-216-821-91	RES, CHIP 1.0K	(1608)
R634	1-216-821-91	RES, CHIP 1.0K	(1608)
R636	1-216-864-91	CONDUCTOR, CHIP	(1608)
R640	1-216-837-91	RES, CHIP 22K	(1608)
R642	1-218-965-81	RES, CHIP 10K	
R643	1-216-850-91	RES, CHIP 270K	(1608)
R644	1-216-837-91	RES, CHIP 22K	(1608)
R649	1-216-833-91	RES, CHIP 10K	(1608)
R650	1-218-965-81	RES, CHIP 10K	
R651	1-216-835-91	RES, CHIP 15K	(1608)
R653	1-216-845-91	RES, CHIP 100K	(1608)
R654	1-218-977-81	RES, CHIP 100K	
R657	1-218-971-81	RES, CHIP 33K	
R658	1-218-965-81	RES, CHIP 10K	
R660	1-216-833-91	RES, CHIP 10K	(1608)
R661	1-216-833-91	RES, CHIP 10K	(1608)
R662	1-216-864-91	CONDUCTOR, CHIP	(1608)
R667	1-216-861-91	RES, CHIP 2.2M	(1608)
R668	1-218-985-81	RES, CHIP 470K	
R669	1-218-977-81	RES, CHIP 100K	
R670	1-218-965-81	RES, CHIP 10K	
R671	1-218-959-81	RES, CHIP 3.3K	
R672	1-218-888-91	RES, CHIP 51K	(1608)
R673	1-218-959-81	RES, CHIP 3.3K	
R674	1-218-977-81	RES, CHIP 100K	
R675	1-218-971-81	RES, CHIP 33K	
R678	1-216-829-91	RES, CHIP 4.7K	(1608)
R689	1-218-977-81	RES, CHIP 100K	
R694	1-216-835-91	RES, CHIP 15K	(1608)
R696	1-216-846-91	RES, CHIP 120K	(1608)
R698	1-216-835-91	RES, CHIP 15K	(1608)
R699	1-216-833-91	RES, CHIP 10K	(1608)
R901	1-216-805-91	RES, CHIP 47	(1608)
R902	1-216-805-91	RES, CHIP 47	(1608)
R974	1-216-801-91	RES, CHIP 22	(1608)
R975	1-216-801-91	RES, CHIP 22	(1608)
R984	1-216-864-91	CONDUCTOR, CHIP	(1608)
RB101	1-234-496-21	ARRAY, RESISTOR 39	
RB102	1-234-496-21	ARRAY, RESISTOR 39	
RB103	1-234-496-21	ARRAY, RESISTOR 39	
RB104	1-234-496-21	ARRAY, RESISTOR 39	
RB105	1-234-496-21	ARRAY, RESISTOR 39	
RB106	1-234-496-21	ARRAY, RESISTOR 39	
RB107	1-233-423-21	RES, CHIP NETWORK 47 (3216)	
RB108	1-233-423-21	RES, CHIP NETWORK 47 (3216)	
RB109	1-233-423-21	RES, CHIP NETWORK 47 (3216)	
RB110	1-233-423-21	RES, CHIP NETWORK 47 (3216)	
RB111	1-233-423-21	RES, CHIP NETWORK 47 (3216)	
RB112	1-233-423-21	RES, CHIP NETWORK 47 (3216)	
RB113	1-233-423-21	RES, CHIP NETWORK 47 (3216)	
RB114	1-233-423-21	RES, CHIP NETWORK 47 (3216)	
RB115	1-233-423-21	RES, CHIP NETWORK 47 (3216)	
RB116	1-233-423-21	RES, CHIP NETWORK 47 (3216)	
RB117	1-233-423-21	RES, CHIP NETWORK 47 (3216)	
RB118	1-233-423-21	RES, CHIP NETWORK 47 (3216)	
RB119	1-233-423-21	RES, CHIP NETWORK 47 (3216)	

Ref.	Part No.	Description	
RB120	1-233-423-21	RES, CHIP NETWORK 47 (3216)	
RB121	1-233-423-21	RES, CHIP NETWORK 47 (3216)	
RB122	1-233-423-21	RES, CHIP NETWORK 47 (3216)	
RB123	1-233-423-21	RES, CHIP NETWORK 47 (3216)	
RB124	1-233-423-21	RES, CHIP NETWORK 47 (3216)	
RB125	1-233-423-21	RES, CHIP NETWORK 47 (3216)	
RB126	1-233-423-21	RES, CHIP NETWORK 47 (3216)	
RB130	1-233-423-21	RES, CHIP NETWORK 47 (3216)	
RB131	1-233-423-21	RES, CHIP NETWORK 47 (3216)	
RB132	1-233-423-21	RES, CHIP NETWORK 47 (3216)	
RB133	1-233-423-21	RES, CHIP NETWORK 47 (3216)	
RB134	1-233-423-21	RES, CHIP NETWORK 47 (3216)	
RB135	1-233-423-21	RES, CHIP NETWORK 47 (3216)	
RB136	1-233-423-21	RES, CHIP NETWORK 47 (3216)	
RB137	1-233-423-21	RES, CHIP NETWORK 47 (3216)	
RB139	1-233-414-21	RES, CHIP NETWORK 4.7K (3216)	
RB241	1-233-414-21	RES, CHIP NETWORK 4.7K (3216)	
RB294	1-233-414-21	RES, CHIP NETWORK 4.7K (3216)	
RB295	1-233-412-21	RES, CHIP NETWORK 1.0K (3216)	
RB296	1-234-598-21	RES, CHIP NETWORK 75X4 (3216)	
RB297	1-234-599-21	RES, CHIP NETWORK 180X4 (3216)	
RB298	1-234-598-21	RES, CHIP NETWORK 75X4 (3216)	
RB303	1-233-412-21	RES, CHIP NETWORK 1.0K (3216)	
RB305	1-233-575-21	RES, CHIP NETWORK 22	
RB310	1-233-414-21	RES, CHIP NETWORK 4.7K (3216)	
RB311	1-233-679-91	RES, NETWORK (1608) 470	
RB312	1-233-786-91	RES, NETWORK 220 (1608)	
RB314	1-233-681-91	RES, NETWORK (1608) 4.7K	
RB317	1-233-423-21	RES, CHIP NETWORK 47 (3216)	
RB318	1-233-423-21	RES, CHIP NETWORK 47 (3216)	
RB319	1-233-423-21	RES, CHIP NETWORK 47 (3216)	
RB320	1-233-423-21	RES, CHIP NETWORK 47 (3216)	
RB321	1-233-423-21	RES, CHIP NETWORK 47 (3216)	
RB322	1-233-412-21	RES, CHIP NETWORK 1.0K (3216)	
RB323	1-233-412-21	RES, CHIP NETWORK 1.0K (3216)	
RB324	1-233-412-21	RES, CHIP NETWORK 1.0K (3216)	
RB325	1-233-412-21	RES, CHIP NETWORK 1.0K (3216)	
RB326	1-233-412-21	RES, CHIP NETWORK 1.0K (3216)	
RB327	1-233-415-21	RES, CHIP NETWORK 10K (3216)	
RB328	1-233-414-21	RES, CHIP NETWORK 4.7K (3216)	
RB329	1-233-783-91	RES, NETWORK 22 (1608)	
RB402	1-233-803-91	RES, NETWORK 1.5K (1608)	
RB511	1-233-423-21	RES, CHIP NETWORK 47 (3216)	
RB512	1-234-610-21	RES, CHIP NETWORK 270K (3216)	
RB514	1-233-576-21	RES, CHIP NETWORK 100	
RB515	1-234-611-21	RES, CHIP NETWORK 560 (3216)	
RB516	1-233-415-21	RES, CHIP NETWORK 10K (3216)	
RB517	1-233-575-21	RES, CHIP NETWORK 22	
RB518	1-233-575-21	RES, CHIP NETWORK 22	
RB519	1-233-575-21	RES, CHIP NETWORK 22	
RB520	1-233-575-21	RES, CHIP NETWORK 22	
RB521	1-233-575-21	RES, CHIP NETWORK 22	
RB522	1-233-575-21	RES, CHIP NETWORK 22	
RB523	1-233-575-21	RES, CHIP NETWORK 22	
RB524	1-233-575-21	RES, CHIP NETWORK 22	
RB525	1-233-575-21	RES, CHIP NETWORK 22	
RB526	1-233-575-21	RES, CHIP NETWORK 22	
RB527	1-233-575-21	RES, CHIP NETWORK 22	
RB528	1-233-575-21	RES, CHIP NETWORK 22	
RB529	1-233-575-21	RES, CHIP NETWORK 22	
RB530	1-233-575-21	RES, CHIP NETWORK 22	
RB531	1-233-575-21	RES, CHIP NETWORK 22	
RB532	1-233-575-21	RES, CHIP NETWORK 22	
RB602	1-233-415-21	RES, CHIP NETWORK 10K (3216)	
RB603	1-233-415-21	RES, CHIP NETWORK 10K (3216)	
RB606	1-233-412-21	RES, CHIP NETWORK 1.0K (3216)	

Ref.	Part No.	Description	
RB607	1-233-415-21	RES, CHIP NETWORK 10K (3216)	
RB609	1-233-423-21	RES, CHIP NETWORK 47 (3216)	
RB611	1-233-415-21	RES, CHIP NETWORK 10K (3216)	
X101	1-781-640-21	VIBRATOR, CRYSTAL	
X202	1-781-857-21	OSCILLATOR, CRYSTAL	
X301	1-781-856-21	VIBRATOR, CRYSTAL	
X302	1-781-768-21	VIBRATOR, CRYSTAL	

A-6712-857-A MOUNTED CIRCUIT BOARD,GH-007-11 for SCPH-30003, -30004			
A-6712-860-A MOUNTED CIRCUIT BOARD,GH-007-11 for SCPH-30002			
A-6712-858-A MOUNTED CIRCUIT BOARD,GH-007-12 for SCPH-30003, -30004			
A-6712-861-A MOUNTED CIRCUIT BOARD,GH-007-12 for SCPH-30002			

PLACE CODE #25GH			
<CAPACITOR>			
C101	1-128-964-91	CAP, CHIP TANTALUM ELECT 100MF	
C102	1-128-964-91	CAP, CHIP TANTALUM ELECT 100MF	
C103	1-128-964-91	CAP, CHIP TANTALUM ELECT 100MF	
C104	1-107-826-91	CAP, CHIP CERAMIC 100000PF B	
C105	1-107-826-91	CAP, CHIP CERAMIC 100000PF B	
C106	1-107-826-91	CAP, CHIP CERAMIC 100000PF B	
C107	1-107-826-91	CAP, CHIP CERAMIC 100000PF B	
C108	1-107-826-91	CAP, CHIP CERAMIC 100000PF B	
C109	1-107-826-91	CAP, CHIP CERAMIC 100000PF B	
C110	1-107-826-91	CAP, CHIP CERAMIC 100000PF B	
C111	1-107-826-91	CAP, CHIP CERAMIC 100000PF B	
C112	1-107-826-91	CAP, CHIP CERAMIC 100000PF B	
C113	1-107-826-91	CAP, CHIP CERAMIC 100000PF B	
C114	1-107-826-91	CAP, CHIP CERAMIC 100000PF B	
C115	1-107-826-91	CAP, CHIP CERAMIC 100000PF B	
C116	1-107-826-91	CAP, CHIP CERAMIC 100000PF B	
C117	1-107-826-91	CAP, CHIP CERAMIC 100000PF B	
C118	1-107-826-91	CAP, CHIP CERAMIC 100000PF B	
C119	1-107-826-91	CAP, CHIP CERAMIC 100000PF B	
C120	1-107-826-91	CAP, CHIP CERAMIC 100000PF B	
C121	1-107-826-91	CAP, CHIP CERAMIC 100000PF B	
C122	1-107-826-91	CAP, CHIP CERAMIC 100000PF B	
C123	1-107-826-91	CAP, CHIP CERAMIC 100000PF B	
C124	1-107-826-91	CAP, CHIP CERAMIC 100000PF B	
C125	1-107-826-91	CAP, CHIP CERAMIC 100000PF B	
C126	1-107-826-91	CAP, CHIP CERAMIC 100000PF B	
C127	1-107-826-91	CAP, CHIP CERAMIC 100000PF B	
C128	1-107-826-91	CAP, CHIP CERAMIC 100000PF B	
C129	1-107-826-91	CAP, CHIP CERAMIC 100000PF B	
C131	1-162-970-91	CAP, CERAMIC 10000PF B (1608)	
C132	1-107-826-91	CAP, CHIP CERAMIC 100000PF B	
C134	1-107-826-91	CAP, CHIP CERAMIC 100000PF B	
C135	1-107-826-91	CAP, CHIP CERAMIC 100000PF B	
C136	1-162-964-91	CAP,CHIP CERAMIC 1000PF B (1608)	
C137	1-107-826-91	CAP, CHIP CERAMIC 100000PF B	
C138	1-107-826-91	CAP, CHIP CERAMIC 100000PF B	
C139	1-107-826-91	CAP, CHIP CERAMIC 100000PF B	
C140	1-107-826-91	CAP, CHIP CERAMIC 100000PF B	
C141	1-135-609-91	CAP, CHIP TANTALUM ELECT 220MF	
C142	1-107-826-91	CAP, CHIP CERAMIC 100000PF B	
C143	1-107-826-91	CAP, CHIP CERAMIC 100000PF B	
C144	1-107-826-91	CAP, CHIP CERAMIC 100000PF B	
C145	1-107-826-91	CAP, CHIP CERAMIC 100000PF B	
C146	1-162-964-91	CAP,CHIP CERAMIC 1000PF B (1608)	
C147	1-162-964-91	CAP,CHIP CERAMIC 1000PF B (1608)	

Ref.	Part No.	Description	
C148	1-107-826-91	CAP, CHIP CERAMIC 100000PF B	
C149	1-107-826-91	CAP, CHIP CERAMIC 100000PF B	
C150	1-162-970-91	CAP, CERAMIC 10000PF B (1608)	
C151	1-164-160-91	CAP,CERAMIC 20PF CH (1608)	
C152	1-164-160-91	CAP,CERAMIC 20PF CH (1608)	
C153	1-162-970-91	CAP, CERAMIC 10000PF B (1608)	
C154	1-162-970-91	CAP, CERAMIC 10000PF B (1608)	
C155	1-107-826-91	CAP, CHIP CERAMIC 100000PF B	
C156	1-107-826-91	CAP, CHIP CERAMIC 100000PF B	
C157	1-107-826-91	CAP, CHIP CERAMIC 100000PF B	
C158	1-162-970-91	CAP, CERAMIC 10000PF B (1608)	
C159	1-107-826-91	CAP, CHIP CERAMIC 100000PF B	
C160	1-162-925-91	CAP, CERAMIC 68PF CH (1608)	
C161	1-128-964-91	CAP, CHIP TANTALUM ELECT 100MF	
C162	1-162-925-91	CAP, CERAMIC 68PF CH (1608)	
C163	1-128-964-91	CAP, CHIP TANTALUM ELECT 100MF	
C164	1-128-964-91	CAP, CHIP TANTALUM ELECT 100MF	
C168	1-162-964-91	CAP,CHIP CERAMIC 1000PF B (1608)	
C169	1-162-927-91	CAP, CERAMIC 100PF CH (1608)	
C170	1-125-837-91	CAP, CHIP CERAMIC 1MF B (1608)	
C175	1-107-826-91	CAP, CHIP CERAMIC 100000PF B	
C176	1-107-826-91	CAP, CHIP CERAMIC 100000PF B	
C201	1-107-826-91	CAP, CHIP CERAMIC 100000PF B	
C203	1-107-826-91	CAP, CHIP CERAMIC 100000PF B	
C204	1-162-970-91	CAP, CERAMIC 10000PF B (1608)	
C205	1-107-826-91	CAP, CHIP CERAMIC 100000PF B	
C206	1-162-964-91	CAP,CHIP CERAMIC 1000PF B (1608)	
C208	1-162-964-91	CAP,CHIP CERAMIC 1000PF B (1608)	
C209	1-107-826-91	CAP, CHIP CERAMIC 100000PF B	
C210	1-162-964-91	CAP,CHIP CERAMIC 1000PF B (1608)	
C211	1-107-826-91	CAP, CHIP CERAMIC 100000PF B	
C212	1-107-826-91	CAP, CHIP CERAMIC 100000PF B	
C213	1-107-826-91	CAP, CHIP CERAMIC 100000PF B	
C214	1-107-826-91	CAP, CHIP CERAMIC 100000PF B	
C215	1-107-826-91	CAP, CHIP CERAMIC 100000PF B	
C216	1-107-826-91	CAP, CHIP CERAMIC 100000PF B	
C217	1-107-826-91	CAP, CHIP CERAMIC 100000PF B	
C218	1-107-826-91	CAP, CHIP CERAMIC 100000PF B	
C219	1-107-826-91	CAP, CHIP CERAMIC 100000PF B	
C220	1-107-826-91	CAP, CHIP CERAMIC 100000PF B	
C221	1-107-		

Ref.	Part No.	Description	Ref.	Part No.	Description	Ref.	Part No.	Description	Ref.	Part No.	Description
C247	1-107-826-91	CAP, CHIP CERAMIC 100000PF B	C332	1-162-970-91	CAP, CERAMIC 10000PF B (1608)	C504	1-117-720-91	CAP, CERAMIC 4.7MF F (2012)	C646	1-164-937-81	CAP, CHIP CERAMIC 1000PF B (1005)
C248	1-107-826-91	CAP, CHIP CERAMIC 100000PF B	C333	1-162-970-91	CAP, CERAMIC 10000PF B (1608)	C505	1-113-619-91	CAP, CERAMIC 470000PF F (1608) for SCPH-30002 GH007-11	C647	1-117-863-91	CAP, CHIP CERAMIC 0.47MF B (1608)
C249	1-115-156-91	CAP, CERAMIC 1000000PF F (1608)	C334	1-162-970-91	CAP, CERAMIC 10000PF B (1608)				C648	1-107-820-81	CAP, CHIP CERAMIC 100000PF F
C250	1-127-760-91	CAP, CERAMIC 4.7MF (2012)							C649	1-164-943-81	CAP, CHIP CERAMIC 10000PF B (1005)
C252	1-107-826-91	CAP, CHIP CERAMIC 100000PF B	C335	1-162-970-91	CAP, CERAMIC 10000PF B (1608)	C506	1-107-826-91	CAP, CHIP CERAMIC 100000PF B	C650	1-164-882-81	CAP, CHIP CERAMIC 220PF CH (1005)
C254	1-107-826-91	CAP, CHIP CERAMIC 100000PF B	C336	1-162-970-91	CAP, CERAMIC 10000PF B (1608)	C508	1-113-619-91	CAP, CERAMIC 470000PF F (1608)	C651	1-164-939-81	CAP, CHIP CERAMIC 220PF B (1005)
C255	1-107-826-91	CAP, CHIP CERAMIC 100000PF B	C337	1-162-970-91	CAP, CERAMIC 10000PF B (1608)	C509	1-113-619-91	CAP, CERAMIC 470000PF F (1608)	C652	1-125-777-81	CAP, CHIP CERAMIC 0.1MF B (1005)
C256	1-107-826-91	CAP, CHIP CERAMIC 100000PF B	C338	1-107-826-91	CAP, CHIP CERAMIC 1000000PF B	C510	1-113-619-91	CAP, CERAMIC 470000PF F (1608)	C653	1-164-939-81	CAP, CHIP CERAMIC 220PF B (1005)
C257	1-125-837-91	CAP, CHIP CERAMIC 1MF B (1608)	C339	1-125-764-41	CAP, CHIP CERAMIC 100PF CH	C511	1-162-964-91	CAP, CHIP CERAMIC 1000PF B (1608)	C654	1-164-156-91	CAP, CHIP CERAMIC 0.1MF F (1608)
C261	1-128-004-21	CAP, ELECT (CHIP) 10MF	C340	1-125-764-41	CAP, CHIP CERAMIC 100PF CH	C512	1-113-619-91	CAP, CERAMIC 470000PF F (1608) for SCPH-30002 GH007-11	C655	1-135-259-91	CAP, CHIP TANTALUM ELECT 10MF
C262	1-128-004-21	CAP, ELECT (CHIP) 10MF	C341	1-125-764-41	CAP, CHIP CERAMIC 100PF CH	C513	1-113-619-91	CAP, CERAMIC 470000PF F (1608)	C656	1-107-820-81	CAP, CHIP CERAMIC 100000PF F
C263	1-128-004-21	CAP, ELECT (CHIP) 10MF	C355	1-107-826-91	CAP, CHIP CERAMIC 100000PF B	C514	1-113-619-91	CAP, CERAMIC 470000PF F (1608)	C657	1-164-230-91	CAP, CERAMIC 220PF CH (1608)
C265	1-117-720-91	CAP, CERAMIC 4.7MF F (2012)	C356	1-107-826-91	CAP, CHIP CERAMIC 100000PF B	C516	1-113-619-91	CAP, CERAMIC 470000PF F (1608)	C658	1-164-882-81	CAP, CHIP CERAMIC 220PF CH (1005)
C266	1-128-004-21	CAP, ELECT (CHIP) 10MF	C363	1-107-826-91	CAP, CHIP CERAMIC 100000PF B	C517	1-113-619-91	CAP, CERAMIC 470000PF F (1608)	C660	1-125-777-81	CAP, CHIP CERAMIC 0.1MF B (1005)
C267	1-126-210-21	CAP, ELECT 220MF	C364	1-107-826-91	CAP, CHIP CERAMIC 100000PF B	C518	1-113-619-91	CAP, CERAMIC 470000PF F (1608)	C661	1-107-820-81	CAP, CHIP CERAMIC 100000PF F
C268	1-126-210-21	CAP, ELECT 220MF	C365	1-107-826-91	CAP, CHIP CERAMIC 100000PF B	C520	1-164-874-81	CAP, CHIP CERAMIC 100PF CH (1005)	C662	1-164-156-91	CAP, CHIP CERAMIC 0.1MF F (1608)
C269	1-164-160-91	CAP, CERAMIC 20PF CH (1608)	C366	1-107-826-91	CAP, CHIP CERAMIC 100000PF B	C521	1-125-837-91	CAP, CHIP CERAMIC 1MF B (1608)	C663	1-164-156-91	CAP, CHIP CERAMIC 0.1MF F (1608)
C270	1-125-777-81	CAP, CHIP CERAMIC 0.1MF B (1005)	C367	1-107-826-91	CAP, CHIP CERAMIC 100000PF B	C522	1-164-156-91	CAP, CHIP CERAMIC 0.1MF F (1608)	C664	1-135-259-91	CAP, CHIP TANTALUM ELECT 10MF
C271	1-125-777-81	CAP, CHIP CERAMIC 0.1MF B (1005)	C368	1-125-777-81	CAP, CHIP CERAMIC 0.1MF B (1005)	C523	1-107-726-91	CAP, CHIP CERAMIC 10000PF B (1608)	C665	1-107-820-81	CAP, CHIP CERAMIC 100000PF F
C272	1-125-777-81	CAP, CHIP CERAMIC 0.1MF B (1005)	C369	1-125-777-81	CAP, CHIP CERAMIC 0.1MF B (1005)	C524	1-113-619-91	CAP, CERAMIC 470000PF F (1608)	C666	1-107-820-81	CAP, CHIP CERAMIC 100000PF F
C275	1-125-777-81	CAP, CHIP CERAMIC 0.1MF B (1005)	C370	1-162-964-91	CAP, CHIP CERAMIC 1000PF B (1608)	C525	1-113-619-91	CAP, CERAMIC 470000PF F (1608)	C667	1-107-820-81	CAP, CHIP CERAMIC 100000PF F
C276	1-164-874-81	CAP, CHIP CERAMIC 100PF CH (1005)	C371	1-162-964-91	CAP, CHIP CERAMIC 1000PF B (1608)	C526	1-164-156-91	CAP, CHIP CERAMIC 0.1MF F (1608) for SCPH-30002 GH007-21	C668	1-107-826-91	CAP, CHIP CERAMIC 100000PF B
C277	1-164-874-81	CAP, CHIP CERAMIC 100PF CH (1005)	C372	1-128-995-21	CAP, ELECT 100MF	C527	1-162-964-91	CAP, CHIP CERAMIC 1000PF B (1608)	C671	1-164-156-91	CAP, CHIP CERAMIC 0.1MF F (1608)
C278	1-113-619-91	CAP, CERAMIC 470000PF F (1608)	C373	1-128-995-21	CAP, ELECT 100MF	C528	1-125-837-91	CAP, CHIP CERAMIC 1MF B (1608)	C672	1-164-156-91	CAP, CHIP CERAMIC 0.1MF F (1608)
C279	1-113-619-91	CAP, CERAMIC 470000PF F (1608)	C401	1-162-964-91	CAP, CHIP CERAMIC 1000PF B (1608)	C529	1-128-008-21	CAP, ELECT (CHIP) 3.3MF	C673	1-164-156-91	CAP, CHIP CERAMIC 0.1MF F (1608)
C282	1-113-619-91	CAP, CERAMIC 470000PF F (1608)	C409	1-162-969-91	CAP, CERAMIC 6800PF B (1608)	C530	1-128-008-21	CAP, ELECT (CHIP) 3.3MF	C674	1-164-156-91	CAP, CHIP CERAMIC 0.1MF F (1608)
C285	1-113-619-91	CAP, CERAMIC 470000PF F (1608)	C414	1-162-965-91	CAP, CERAMIC 1500PF B (1608)	C532	1-164-874-81	CAP, CHIP CERAMIC 100PF CH (1005)	C675	1-107-820-81	CAP, CHIP CERAMIC 100000PF F
C286	1-113-619-91	CAP, CERAMIC 470000PF F (1608)	C415	1-165-176-91	CAP, CERAMIC 47000PF B (1608)	C533	1-113-619-91	CAP, CERAMIC 470000PF F (1608)	C676	1-107-820-81	CAP, CHIP CERAMIC 100000PF F
C287	1-107-826-91	CAP, CHIP CERAMIC 100000PF B	C416	1-107-826-91	CAP, CHIP CERAMIC 100000PF B	C534	1-113-619-91	CAP, CERAMIC 470000PF F (1608)	C680	1-162-964-91	CAP, CHIP CERAMIC 1000PF B (1608)
C288	1-125-837-91	CAP, CHIP CERAMIC 1MF B (1608)	C417	1-164-379-91	CAP, CERAMIC 43PF CH (1608)	C535	1-113-619-91	CAP, CERAMIC 470000PF F (1608)	C685	1-117-863-91	CAP, CHIP CERAMIC 0.47MF B (1608)
C289	1-164-937-81	CAP, CHIP CERAMIC 1000PF B (1005)	C418	1-107-826-91	CAP, CHIP CERAMIC 100000PF B	C536	1-113-619-91	CAP, CERAMIC 470000PF F (1608)	C688	1-162-964-91	CAP, CHIP CERAMIC 1000PF B (1608)
C290	1-113-619-91	CAP, CERAMIC 470000PF F (1608)	C419	1-162-970-91	CAP, CERAMIC 10000PF B (1608)	C537	1-113-619-91	CAP, CERAMIC 470000PF F (1608)	C689	1-162-968-91	CAP, CHIP CERAMIC 4700PF B (1608)
C291	1-162-923-91	CAP, CERAMIC 47PF CH (1608)	C420	1-107-826-91	CAP, CHIP CERAMIC 100000PF B	C538	1-113-619-91	CAP, CERAMIC 470000PF F (1608)	C901	1-107-826-91	CAP, CHIP CERAMIC 100000PF B
C292	1-107-725-91	CAP, CERAMIC 100000PF B (2012)	C421	1-127-692-91	CAP, CHIP CERAMIC 10MF B (3225)	C539	1-113-619-91	CAP, CERAMIC 470000PF F (1608)	C902	1-107-826-91	CAP, CHIP CERAMIC 100000PF B
C293	1-137-765-21	CAP, ELECT 47MF	C422	1-135-347-21	CAP, SOLID ELECT 82MF	C540	1-113-619-91	CAP, CERAMIC 470000PF F (1608)	C903	1-107-826-91	CAP, CHIP CERAMIC 100000PF B
C296	1-126-210-21	CAP, ELECT 220MF	C423	1-135-347-21	CAP, SOLID ELECT 82MF	C541	1-113-619-91	CAP, CERAMIC 470000PF F (1608)	C904	1-107-826-91	CAP, CHIP CERAMIC 100000PF B
C297	1-126-210-21	CAP, ELECT 220MF	C424	1-127-692-91	CAP, CHIP CERAMIC 10MF B (3225)	C542	1-164-874-81	CAP, CHIP CERAMIC 100PF CH (1005)	C905	1-107-826-91	CAP, CHIP CERAMIC 100000PF B
C298	1-126-210-21	CAP, ELECT 220MF	C427	1-135-347-21	CAP, SOLID ELECT 82MF	C543	1-113-619-91	CAP, CERAMIC 470000PF F (1608)	C906	1-107-826-91	CAP, CHIP CERAMIC 100000PF B
C302	1-125-777-81	CAP, CHIP CERAMIC 0.1MF B (1005)	C430	1-107-826-91	CAP, CHIP CERAMIC 100000PF B	C601	1-164-156-91	CAP, CHIP CERAMIC 0.1MF F (1608)	C907	1-107-826-91	CAP, CHIP CERAMIC 100000PF B
C303	1-125-777-81	CAP, CHIP CERAMIC 0.1MF B (1005)	C431	1-107-826-91	CAP, CHIP CERAMIC 100000PF B	C603	1-164-937-81	CAP, CHIP CERAMIC 1000PF B (1005)	C908	1-107-826-91	CAP, CHIP CERAMIC 100000PF B
C304	1-164-937-81	CAP, CHIP CERAMIC 1000PF B (1005)	C432	1-115-339-91	CAP, CERAMIC 0.1MF B (2012)	C605	1-164-937-81	CAP, CHIP CERAMIC 1000PF B (1005)	C909	1-107-826-91	CAP, CHIP CERAMIC 100000PF B
C306	1-164-387-91	CAP, CERAMIC 240PF CH (1608)	C433	1-115-339-91	CAP, CERAMIC 0.1MF B (2012)	C606	1-162-964-91	CAP, CHIP CERAMIC 1000PF B (1608)	C910	1-107-826-91	CAP, CHIP CERAMIC 100000PF B
C307	1-107-826-91	CAP, CHIP CERAMIC 100000PF B	C435	1-115-566-91	CAP, CERAMIC 4.7MF B	C607	1-162-968-91	CAP, CHIP CERAMIC 4700PF B (1608)	C911	1-107-826-91	CAP, CHIP CERAMIC 100000PF B
C308	1-165-112-91	CAP, CERAMIC 330000PF F (1608)	C436	1-135-593-21	CAP, ELECT 150MF	C609	1-107-826-91	CAP, CHIP CERAMIC 100000PF B	C912	1-107-826-91	CAP, CHIP CERAMIC 100000PF B
C309	1-162-970-91	CAP, CERAMIC 10000PF B (1608)	C437	1-107-826-91	CAP, CHIP CERAMIC 100000PF B	C623	1-164-156-91	CAP, CHIP CERAMIC 0.1MF F (1608)	C913	1-107-826-91	CAP, CHIP CERAMIC 100000PF B
C310	1-162-970-91	CAP, CERAMIC 10000PF B (1608)	C438	1-107-826-91	CAP, CHIP CERAMIC 100000PF B	C624	1-107-826-91	CAP, CHIP CERAMIC 100000PF B	C914	1-107-826-91	CAP, CHIP CERAMIC 100000PF B
C311	1-162-916-91	CAP, CERAMIC 12PF CH (1608)	C439	1-135-593-21	CAP, ELECT 150MF	C625	1-164-156-91	CAP, CHIP CERAMIC 0.1MF F (1608)	C915	1-107-826-91	CAP, CHIP CERAMIC 100000PF B
C312	1-162-917-91	CAP, CERAMIC 15PF CH (1608)	C440	1-135-592-21	CAP, ELECT 100MF	C627	1-162-966-91	CAP, CERAMIC 2200PF B (1608)	C916	1-107-826-91	CAP, CHIP CERAMIC 100000PF B
C313	1-162-910-91	CAP, CERAMIC 5.0PF CH (1608)	C441	1-135-593-21	CAP, ELECT 150MF	C628	1-162-966-91	CAP, CERAMIC 2200PF B (1608)	C917	1-107-826-91	CAP, CHIP CERAMIC 100000PF B
C314	1-162-910-91	CAP, CERAMIC 5.0PF CH (1608)	C443	1-135-592-21	CAP, ELECT 100MF	C629	1-164-156-91	CAP, CHIP CERAMIC 0.1MF F (1608)	C918	1-107-826-91	CAP, CHIP CERAMIC 100000PF B
C315	1-125-777-81	CAP, CHIP CERAMIC 0.1MF B (1005)	C444	1-107-826-91	CAP, CHIP CERAMIC 100000PF B	C630	1-164-173-91	CAP, CERAMIC 3900PF B (1608)	C919	1-107-826-91	CAP, CHIP CERAMIC 100000PF B
C316	1-165-112-91	CAP, CERAMIC 330000PF F (1608)	C446	1-135-592-21	CAP, ELECT 100MF	C631	1-162-968-91	CAP, CHIP CERAMIC 4700PF B (1608)	C920	1-107-826-91	CAP, CHIP CERAMIC 100000PF B
C317	1-162-970-91	CAP, CERAMIC 10000PF B (1608)	C447	1-107-682-91	CAP, CERAMIC 1000000PF B (3216)	C632	1-107-826-91	CAP, CHIP CERAMIC 100000PF B	C921	1-107-826-91	CAP, CHIP CERAMIC 100000PF B
C318	1-162-970-91	CAP, CERAMIC 10000PF B (1608)	C450	1-107-826-91	CAP, CHIP CERAMIC 100000PF B	C633	1-164-156-91	CAP, CHIP CERAMIC 0.1MF F (1608)	C922	1-107-826-91	CAP, CHIP CERAMIC 100000PF B
C319	1-162-970-91	CAP, CERAMIC 10000PF B (1608)	C457	1-124-779-21	CAP, ELECT 10MF	C634	1-164-156-91	CAP, CHIP CERAMIC 0.1MF F (1608)	C923	1-107-826-91	CAP, CHIP CERAMIC 100000PF B
C320	1-162-970-91	CAP, CERAMIC 10000PF B (1608)	C466	1-107-826-91	CAP, CHIP CERAMIC 100000PF B	C635	1-162-968-91	CAP, CHIP CERAMIC 4700PF B (1608)	C924	1-107-826-91	CAP, CHIP CERAMIC 100000PF B
C321	1-162-970-91	CAP, CERAMIC 10000PF B (1608)	C468	1-126-209-21	CAP, ELECT 100MF	C636	1-125-777-81	CAP, CHIP CERAMIC 0.1MF B (1005)	C925	1-107-826-91	CAP, CHIP CERAMIC 100000PF B
C322	1-162-970-91	CAP, CERAMIC 10000PF B (1608)	C477	1-124-779-21	CAP, ELECT 10MF	C637	1-164-937-81	CAP, CHIP CERAMIC 1000PF B (1005)	C926	1-107-826-91	CAP, CHIP CERAMIC 100000PF B
C323	1-162-970-91	CAP, CERAMIC 10000PF B (1608)	C490	1-126-209-21	CAP, ELECT 100MF	C638	1-164-943-81	CAP, CHIP CERAMIC 1000PF B (1005)	C927	1-107-826-91	CAP, CHIP CERAMIC 100000PF B
C325	1-162-970-91	CAP, CERAMIC 10000PF B (1608)	C491	1-117-681-21	CAP, ELECT 100MF	C639	1-164-217-91	CAP, CERAMIC 150PF CH (1608)	C928	1-107-826-91	CAP, CHIP CERAMIC 100000PF B
C326	1-162-970-91	CAP, CERAMIC 10000PF B (1608)	C492	1-107-826-91	CAP, CHIP CERAMIC 100000PF B						

Ref.	Part No.	Description
C935	1-107-826-91	CAP, CHIP CERAMIC 100000PF B
C936	1-107-826-91	CAP, CHIP CERAMIC 100000PF B
C937	1-107-826-91	CAP, CHIP CERAMIC 100000PF B
C938	1-107-826-91	CAP, CHIP CERAMIC 100000PF B
C939	1-107-826-91	CAP, CHIP CERAMIC 100000PF B
C940	1-107-826-91	CAP, CHIP CERAMIC 100000PF B
C941	1-107-826-91	CAP, CHIP CERAMIC 100000PF B
C942	1-107-826-91	CAP, CHIP CERAMIC 100000PF B
C943	1-107-826-91	CAP, CHIP CERAMIC 100000PF B
C944	1-107-826-91	CAP, CHIP CERAMIC 100000PF B
C945	1-107-826-91	CAP, CHIP CERAMIC 100000PF B
C946	1-107-826-91	CAP, CHIP CERAMIC 100000PF B
C947	1-107-826-91	CAP, CHIP CERAMIC 100000PF B
C948	1-107-826-91	CAP, CHIP CERAMIC 100000PF B
C949	1-107-826-91	CAP, CHIP CERAMIC 100000PF B
C950	1-107-826-91	CAP, CHIP CERAMIC 100000PF B
C951	1-107-826-91	CAP, CHIP CERAMIC 100000PF B
C952	1-107-826-91	CAP, CHIP CERAMIC 100000PF B
C953	1-107-826-91	CAP, CHIP CERAMIC 100000PF B
C954	1-107-826-91	CAP, CHIP CERAMIC 100000PF B
C955	1-107-826-91	CAP, CHIP CERAMIC 100000PF B
C956	1-107-826-91	CAP, CHIP CERAMIC 100000PF B
C957	1-107-826-91	CAP, CHIP CERAMIC 100000PF B
C958	1-107-826-91	CAP, CHIP CERAMIC 100000PF B
C959	1-107-826-91	CAP, CHIP CERAMIC 100000PF B
C960	1-107-826-91	CAP, CHIP CERAMIC 100000PF B
C961	1-107-826-91	CAP, CHIP CERAMIC 100000PF B
C962	1-107-826-91	CAP, CHIP CERAMIC 100000PF B
C963	1-107-826-91	CAP, CHIP CERAMIC 100000PF B
C965	1-107-826-91	CAP, CHIP CERAMIC 100000PF B
C966	1-107-826-91	CAP, CHIP CERAMIC 100000PF B
C967	1-125-837-91	CAP, CHIP CERAMIC 1MF B (1608)
C968	1-125-837-91	CAP, CHIP CERAMIC 1MF B (1608)
C980	1-107-826-91	CAP, CHIP CERAMIC 100000PF B
C981	1-125-837-91	CAP, CHIP CERAMIC 1MF B (1608)
C982	1-107-826-91	CAP, CHIP CERAMIC 100000PF B
C983	1-125-837-91	CAP, CHIP CERAMIC 1MF B (1608)
C984	1-107-826-91	CAP, CHIP CERAMIC 100000PF B
C985	1-107-826-91	CAP, CHIP CERAMIC 100000PF B
C986	1-107-826-91	CAP, CHIP CERAMIC 100000PF B
C987	1-107-826-91	CAP, CHIP CERAMIC 100000PF B
C988	1-125-837-91	CAP, CHIP CERAMIC 1MF B (1608)
C989	1-107-826-91	CAP, CHIP CERAMIC 100000PF B
C990	1-107-826-91	CAP, CHIP CERAMIC 100000PF B
<CONNECTOR>		
CN201	1-794-209-11	CONNECTOR, SQUARE TYPE 12P
CN301	1-794-208-11	CONNECTOR, SQUARE TYPE 4P
CN302	1-794-206-21	CONNECTOR, FFC/FPC (ZIF) 36P
CN303	1-794-207-11	CONNECTOR, USB 8P
CN403	1-770-619-21	PIN, CONNECTOR 2P
CN406	1-815-226-21	CONNECTOR, FFC/FPC (ZIF) 40P
CN407	1-815-301-11	PIN, CONNECTOR 4P
CN408	1-815-302-11	PIN, CONNECTOR (PLUG) 34P
CN501	1-418-965-11	TRANSMITTER UNIT, LIGHT
CN504	1-815-190-21	CONNECTOR BOARD TO BOARD 110P
CN604	1-793-823-21	CONNECTOR, FFC/FPC (ZIF) 54P
<NETWORK>		
CP201	1-234-605-21	NETWORK, RC
<DIODE>		
D201	8-719-065-78	DIODE MAZF12000LSO
D202	8-719-064-61	DIODE 01BZA8.2(TE85L)
D203	8-719-064-61	DIODE 01BZA8.2(TE85L)
D204	8-719-064-61	DIODE 01BZA8.2(TE85L)

Ref.	Part No.	Description
D205	8-719-064-61	DIODE 01BZA8.2(TE85L)
D206	8-719-064-61	DIODE 01BZA8.2(TE85L)
D208	8-719-064-61	DIODE 01BZA8.2(TE85L)
D209	8-719-064-61	DIODE 01BZA8.2(TE85L)
D210	8-719-064-61	DIODE 01BZA8.2(TE85L)
D301	8-719-071-87	DIODE MA785-(TX),SO
D302	8-719-071-87	DIODE MA785-(TX),SO
D402	8-719-074-34	DIODE RB495D-T146
D403	8-719-074-34	DIODE RB495D-T146
D405	8-719-078-04	DIODE EC31QS03L-TE12L
D500	8-719-941-21	DIODE DAP202UT106
D501	8-719-082-76	DIODE CL-201TLY-C-TU
<FUSE>		
Δ F001	1-576-434-21	FUSE, CHIP
Δ F002	1-576-434-21	FUSE, CHIP
<FERRITE BEAD>		
FB102	1-469-667-21	FERRITE, EMI (SMD)
FB103	1-469-667-21	FERRITE, EMI (SMD)
FB201	1-414-813-21	FERRITE, EMI (SMD)
FB202	1-500-113-22	BEAD, FERRITE (CHIP)
FB203	1-500-113-22	BEAD, FERRITE (CHIP)
FB204	1-500-113-22	BEAD, FERRITE (CHIP)
FB205	1-500-113-22	BEAD, FERRITE (CHIP)
FB206	1-500-113-22	BEAD, FERRITE (CHIP)
FB207	1-469-667-21	FERRITE, EMI (SMD)
FB208	1-469-667-21	FERRITE, EMI (SMD)
FB303	1-414-555-21	FERRITE, EMI (SMD)
FB304	1-414-555-21	FERRITE, EMI (SMD)
FB305	1-414-555-21	FERRITE, EMI (SMD)
FB306	1-414-555-21	FERRITE, EMI (SMD)
FB307	1-414-555-21	FERRITE, EMI (SMD)
FB308	1-414-555-21	FERRITE, EMI (SMD)
FB309	1-414-555-21	FERRITE, EMI (SMD)
FB310	1-414-555-21	FERRITE, EMI (SMD)
FB311	1-414-555-21	FERRITE, EMI (SMD)
FB312	1-414-555-21	FERRITE, EMI (SMD)
FB313	1-469-324-21	FERRITE, EMI (SMD)
FB314	1-469-324-21	FERRITE, EMI (SMD)
FB315	1-469-324-21	FERRITE, EMI (SMD)
FB316	1-469-324-21	FERRITE, EMI (SMD)
<FILTER>		
FL201	1-469-642-21	FILTER, EMI (SMD) (2125)
FL202	1-469-642-21	FILTER, EMI (SMD) (2125)
FL203	1-469-642-21	FILTER, EMI (SMD) (2125)
FL301	1-234-601-21	NETWORK, RC (USB) (3216)
FL302	1-234-601-21	NETWORK, RC (USB) (3216)
<IC>		
IC101	8-759-831-20	IC CY2212ZC-2T
IC102	8-759-666-89	IC TC59RM716GB-8(YEL)
IC103	8-759-666-89	IC TC59RM716GB-8(YEL)
IC104	8-759-699-09	IC CXD9615GB
IC105	8-759-689-90	IC LM74CIMX-3
IC201	8-759-831-20	IC CY2212ZC-2T
IC202	8-752-404-01	IC CXD2934GB-T7
IC205	8-759-696-97	IC SC44728APBEB
IC206	8-752-093-56	IC CXA3525R-T4
IC207	8-759-391-69	IC MC78M05CDTRK
IC209	8-759-697-60	IC MM3071CFBE
IC303	8-759-699-11	IC CXD9619GB
IC305	8-759-496-87	IC T7X16(YEL)
IC306	8-759-688-07	IC MM3051NULE
IC306	8-759-697-24	IC S-817A12ANB-CUB-T2

Ref.	Part No.	Description
IC403	8-759-581-11	IC NJM2125F(TE2)
IC404	8-759-689-89	IC SNI04809DBTR
IC408	8-759-712-65	IC PQ070XZ01ZP
IC410	8-749-018-42	IC SI-3026LSA-TL
IC501	8-759-699-10	IC CXD9611R
IC502	8-759-712-79	IC K4E151612D-TL50T00
IC503	8-759-824-53	IC MR27V3202E-25TPZ020 for GH007-11
IC504	8-752-408-53	IC CXD2942AR
IC505	8-759-830-41	IC TC5364200FT-AE120 for SCPH-30003,-30004 GH007-21
IC505	8-759-830-43	IC TC5364200FT-AU120 for SCPH-30002 GH007-21
IC506	8-759-830-46	IC MR27V1602E-44TPZ020 for SCPH-30003,-30004 GH007-11
IC506	8-759-830-45	IC MR27V1602E-45TPZ020 for SCPH-30002 GH007-11
IC517	8-759-667-10	IC CS4335-KS
IC518	8-759-680-49	IC TC7WB125FK(TE85R) for GH007-21
IC603	8-759-370-11	IC NJM2100V-TE2
IC604	8-752-919-95	IC CXP102064-201R-T6 for SCPH-30003,-30004 GH007
IC604	8-752-919-85	IC CXP102064-201R-T6 for SCPH-30002 GH007
IC605	8-752-409-02	IC CXD1869AQ
IC606	8-759-712-38	IC HD74HC1G66CME
<INDUCTOR>		
L102	1-414-398-41	INDUCTOR (SMD) 10.0UH
L202	1-414-398-41	INDUCTOR (SMD) 10.0UH
L203	1-469-967-21	INDUCTOR, CHIP 10UH (2518)
L206	1-412-956-21	INDUCTOR, SMALL TYPE 27UH (2518)
L401	1-416-948-21	COIL, CHOKE 10UH
L402	1-416-948-21	COIL, CHOKE 10UH
L403	1-419-491-21	COIL, CHOKE 10UH
L404	1-419-905-21	COIL, CHOKE (SMD) 1.82UH
<COIL>		
LF101	1-419-100-21	COIL, COMMON-MODE CHOKE
LF303	1-419-521-21	COIL, COMMOM MODE CHOKE
LF304	1-419-521-21	COIL, COMMOM MODE CHOKE
LF305	1-419-521-21	COIL, COMMOM MODE CHOKE
LF306	1-419-521-21	COIL, COMMOM MODE CHOKE
<LINK>		
Δ PS001	1-533-940-21	RINK, CHIP IC
Δ PS002	1-533-940-21	RINK, CHIP IC
PS003	1-533-915-41	RINK, CHIP IC
PS004	1-533-674-21	RINK, CHIP IC
PS005	1-533-940-21	RINK, CHIP IC
<TRANSISTOR>		
Q201	8-729-026-50	TRANSISTOR 2SA1037AK-T146-QR
Q204	8-729-049-77	TRANSISTOR HN1B01F-GR(T5LSONY)
Q205	8-729-013-22	TRANSISTOR HN1A01FU-TE85R
Q206	8-729-037-63	TRANSISTOR UN9115J-(TX).SO
Q401	8-729-051-63	TRANSISTOR SI4884DY-T1
Q402	8-729-053-79	TRANSISTOR IRF7901D1-TR
Q404	8-729-052-07	TRANSISTOR HAT2064R-EL
Q407	8-729-052-41	TRANSISTOR 2SC4541 (2TL SONY1)
Q408	8-729-054-34	TRANSISTOR FDN304P
Q505	8-729-021-09	TRANSISTOR RN4904(TE85R)
Q506	8-729-047-71	TRANSISTOR FMG12-T-148
Q600	8-729-016-26	TRANSISTOR 2SK1958-T1
Q603	8-729-017-33	TRANSISTOR RN1706-TE85R
<RESISTOR>		
R101	1-211-983-91	RES, CHIP 39 (1608)
R102	1-218-826-91	RES, CHIP 130 (1608)

Ref.	Part No.	Description
R103	1-211-983-91	RES, CHIP 39 (1608)
R104	1-218-826-91	RES, CHIP 130 (1608)
R105	1-216-864-91	CONDUCTOR, CHIP (1608)
R106	1-216-809-91	RES, CHIP 100 (1608)
R107	1-216-809-91	RES, CHIP 100 (1608)
R109	1-216-829-91	RES, CHIP 4.7K (1608)
R110	1-211-983-91	RES, CHIP 39 (1608)
R111	1-211-983-91	RES, CHIP 39 (1608)
R112	1-211-989-91	RES, CHIP 68 (1608)
R113	1-211-989-91	RES, CHIP 68 (1608)
R114	1-211-983-91	RES, CHIP 39 (1608)
R115	1-211-983-91	RES, CHIP 39 (1608)
R116	1-211-983-91	RES, CHIP 39 (1608)
R117	1-211-983-91	RES, CHIP 39 (1608)
R118	1-211-973-91	RES, CHIP 15 (1608)
R119	1-211-973-91	RES, CHIP 15 (1608)
R120	1-211-973-91	RES, CHIP 15 (1608)
R121	1-211-973-91	RES, CHIP 15 (1608)
R122	1-216-864-91	CONDUCTOR, CHIP (1608)
R123	1-216-864-91	CONDUCTOR, CHIP (1608)
R124	1-216-864-91	CONDUCTOR, CHIP (1608)
R125	1-216-864-91	CONDUCTOR, CHIP (1608)
R126	1-216-833-91	RES, CHIP 10K (1608)
R127	1-216-829-91	RES, CHIP 4.7K (1608)
R128	1-216-829-91	RES, CHIP 4.7K (1608)
R129	1-216-821-91	RES, CHIP 1.0K (1608)
R130	1-216-817-91	RES, CHIP 470 (1608)
R131	1-216-833-91	RES, CHIP 10K (1608)
R132	1-216-833-91	RES, CHIP 10K (1608)
R133	1-216-833-91	RES, CHIP 10K (1608)
R134	1-216-833-91	RES, CHIP 10K (1608)
R135	1-216-864-91	CONDUCTOR, CHIP (1608)
R136	1-216-864-91	CONDUCTOR, CHIP (1608)
R138	1-216-864-91	CONDUCTOR, CHIP (1608)
R139	1-216-801-91	RES, CHIP 22 (1608)
R145	1-216-821-91	RES, CHIP 1.0K (1608)
R146	1-216-821-91	RES, CHIP 1.0K (1608)
R147	1-216-821-91	RES, CHIP 1.0K (1608)
R185	1-216-829-91	RES, CHIP 4.7K (1608)
R188	1-216-829-91	RES, CHIP 4.7K (1608)
R196	1-216-801-91	RES, CHIP 22 (1608)
R201	1-216-864-91	CONDUCTOR, CHIP (1608)
R202	1-216-833-91	RES, CHIP 10K (1608)
R206	1-211-989-91	RES, CHIP 68 (1608)
R208	1-211-992-91	RES, CHIP 91 (1608)
R209	1-218-828-91	RES, CHIP 160 (1608)
R217	1-218-859-91	RES, CHIP 3.3K (1608)
R218	1-218-847-91	RES, CHIP 1.0K (1608)
R219	1-218-851-91	RES, CHIP 1.5K (1608)
R225	1-216-829-91	RES, CHIP 4.7K (1608)
R226	1-218-965-81	RES, CHIP 10K (1608)
R228	1-218-965-81	RES, CHIP 10K (1608)
R233	1-216-821-91	RES, CHIP 1.0K (1608)
R236	1-216-809-91	RES, CHIP 100 (1608)
R237	1-216-829-91	RES, CHIP 4.7K (1608)
R244	1-218-831-91	RES, CHIP 220 (1608)
R245	1-218-831-91	RES, CHIP 220 (1608)
R246	1-218-831-91	RES, CHIP 220 (1608)
R247	1-216-801-91	RES, CHIP 22 (1608)
R251	1-216-837-91	RES, CHIP 22K (1608)
R252	1-216-839-91	RES, CHIP 33K (1608)
R253	1-216-833-91	RES, CHIP 10K (1608)
R257	1-216-824-91	RES, CHIP 1.8K (1608)
R258	1-218-883-91	RES, CHIP 33K (1608)
R259	1-216-824-91	RES, CHIP 1.8K (1608)
R261	1-216-829-91	RES, CHIP 4.7K (1608)

Ref.	Part No.	Description
	A-6712-832-A	MOUNTED CIRCUIT BOARD, GD-013
		for GD013-11
	A-6712-863-A	MOUNTED CIRCUIT BOARD, GD-013
		for GD013-21

		PLACE CODE #25GD
		<BATTERY>
BT401	1-756-076-21	HOLDER, LITHIUM BATTERY
		<CAPACITOR>
C119	1-162-927-91	CAP, CERAMIC 100PF CH (1608)
C120	1-162-927-91	CAP, CERAMIC 100PF CH (1608)
C121	1-162-927-91	CAP, CERAMIC 100PF CH (1608)
C122	1-162-927-91	CAP, CERAMIC 100PF CH (1608)
C123	1-162-927-91	CAP, CERAMIC 100PF CH (1608)
C124	1-162-927-91	CAP, CERAMIC 100PF CH (1608)
C401	1-107-826-91	CAP, CHIP CERAMIC 100000PF B
C402	1-164-505-91	CAP, CHIP CERAMIC 2.2MF F (2012)
C403	1-162-964-91	CAP,CHIP CERAMIC 1000PF B (1608)
C405	1-107-826-91	CAP, CHIP CERAMIC 100000PF B
C407	1-107-826-91	CAP, CHIP CERAMIC 100000PF B
C408	1-125-837-91	CAP, CHIP CERAMIC 1MF B (1608)
C425	1-128-995-21	CAP, ELECT 100MF
C426	1-107-826-91	CAP, CHIP CERAMIC 100000PF B
C434	1-162-964-91	CAP,CHIP CERAMIC 1000PF B (1608)
C445	1-117-720-91	CAP, CERAMIC 4.7MF F (2012)
C449	1-162-964-91	CAP,CHIP CERAMIC 1000PF B (1608)
C452	1-164-156-91	CAP, CHIP CERAMIC 0.1MF F (1608)
C453	1-164-156-91	CAP, CHIP CERAMIC 0.1MF F (1608)
C454	1-124-779-21	CAP, ELECT 10MF
C455	1-124-779-21	CAP, ELECT 10MF
C456	1-124-779-21	CAP, ELECT 10MF
C458	1-135-347-21	CAP, SOLID ELECT 82MF
C459	1-135-347-21	CAP, SOLID ELECT 82MF
C460	1-164-174-91	CAP,CERAMIC 8200PF B (1608)
C461	1-164-174-91	CAP,CERAMIC 8200PF B (1608)
C462	1-135-347-21	CAP, SOLID ELECT 82MF
C465	1-107-826-91	CAP, CHIP CERAMIC 100000PF B
C467	1-126-209-21	CAP, ELECT 100MF
C469	1-162-977-91	CAP, CERAMIC 1800PF B (1608)
C470	1-107-826-91	CAP, CHIP CERAMIC 100000PF B
C471	1-164-379-91	CAP, CERAMIC 43PF CH (1608)
C472	1-107-826-91	CAP, CHIP CERAMIC 100000PF B
C473	1-162-970-91	CAP, CERAMIC 100000PF B (1608)
C474	1-107-826-91	CAP, CHIP CERAMIC 100000PF B
C475	1-164-730-91	CAP,CERAMIC 1200PF B (1608)
C476	1-115-339-91	CAP, CERAMIC 0.1MF B (2012)
C478	1-124-779-21	CAP, ELECT 10MF for GD013-11
C479	1-125-837-91	CAP, CHIP CERAMIC 1MF B (1608)
C480	1-115-339-91	CAP, CERAMIC 0.1MF B (2012)
C481	1-135-593-21	CAP, ELECT 150MF
C482	1-107-826-91	CAP, CHIP CERAMIC 100000PF B
C483	1-107-826-91	CAP, CHIP CERAMIC 100000PF B
C484	1-135-593-21	CAP, ELECT 150MF
C485	1-107-826-91	CAP, CHIP CERAMIC 100000PF B
C486	1-131-999-21	CAP, SOLID ELECT 150MF
C487	1-131-999-21	CAP, SOLID ELECT 150MF
C488	1-115-566-91	CAP, CERAMIC 4.7MF B
C489	1-131-999-21	CAP, SOLID ELECT 150MF
C491	1-126-209-21	CAP, ELECT 100MF for GD013-11
C492	1-107-826-91	CAP, CHIP CERAMIC 100000PF B
C493	1-107-826-91	CAP, CHIP CERAMIC 100000PF B
C494	1-107-725-91	CAP, CERAMIC 100000PF B (2012)
C495	1-125-837-91	CAP, CHIP CERAMIC 1MF B (1608)
C496	1-107-682-91	CAP, CERAMIC 1000000PF B (3216)

Ref.	Part No.	Description
C497	1-162-964-91	CAP,CHIP CERAMIC 1000PF B (1608) for GD013-11
C498	1-124-779-21	CAP, ELECT 10MF
C499	1-164-505-91	CAP, CHIP CERAMIC 2.2MF F (2012)
C500	1-137-765-21	CAP, ELECT 47MF
C501	1-126-205-21	CAP, ELECT 47MF
C502	1-162-964-91	CAP,CHIP CERAMIC 1000PF B (1608)
C503	1-137-766-21	CAP, ELECT 68MF
C504	1-163-009-91	CAP,CHIP CERAMIC 1000PF B (2012)
C505	1-137-765-21	CAP, ELECT 47MF
C506	1-137-765-21	CAP, ELECT 47MF
C507	1-162-964-91	CAP,CHIP CERAMIC 1000PF B (1608)
C508	1-137-765-21	CAP, ELECT 47MF
C509	1-137-766-21	CAP, ELECT 68MF
C510	1-137-765-21	CAP, ELECT 47MF
C511	1-137-765-21	CAP, ELECT 47MF
		<CONNECTOR>
CN401	1-815-305-11	CONNECTOR (PLUG) 4P
CN404	1-815-231-21	CONNECTOR, FFC/FPC (ZIF) 40P
CN405	1-815-303-11	CONNECTOR, BOARD TO BOARD 34P
CN406	1-779-345-11	CONNECTOR, FFC/FPC 7P
		<DIODE>
D401	8-719-016-75	DIODE 1SS352-TPH3
D404	8-719-033-15	DIODE HN2D02FU-TE85R
D407	8-719-074-34	DIODE RB495D-T146
D408	8-719-074-34	DIODE RB495D-T146
		<FUSE>
Δ F001	1-576-434-21	FUSE, CHIP
Δ F002	1-576-434-21	FUSE, CHIP
		<FERRITE BEAD>
FB003	1-469-667-21	FERRITE, EMI (SMD)
FB004	1-469-667-21	FERRITE, EMI (SMD)
FB005	1-469-667-21	FERRITE, EMI (SMD)
FB006	1-469-667-21	FERRITE, EMI (SMD)
FB007	1-469-667-21	FERRITE, EMI (SMD)
FB008	1-469-667-21	FERRITE, EMI (SMD)
		<IC>
IC401	8-759-661-25	IC S-80769SN-J0-T1
IC402	8-749-019-21	IC TMP87C807U-2A69
IC403	8-759-688-08	IC MM1537DFBE
IC405	8-759-560-17	IC RS5C348A-E2
IC406	8-759-667-20	IC BR9080F-E2
IC407	8-759-712-66	IC PQ018PZ01ZP
IC409	8-759-689-89	IC SN104809DBTR
IC411	8-759-688-06	IC MM3031JULE
IC412	8-749-018-41	IC SI-3025LSA-TL
IC413	8-759-665-28	IC SI-3034LSA-TL
		for GD013-11
IC414	8-759-069-41	IC TA7808F(Te16L)
		<INDUCTOR>
L405	1-416-948-21	COIL, CHOKE 10UH
L406	1-419-491-21	COIL, CHOKE 10UH
L407	1-419-491-21	COIL, CHOKE 10UH
L408	1-419-898-21	COIL, CHOKE 5.6UH
L409	1-469-966-21	INDUCTOR, CHIP 1UH (2518)
		<LINK>
Δ PS001	1-533-674-21	RINK, CHIP IC
Δ PS002	1-533-940-21	RINK, CHIP IC
Δ PS003	1-533-940-21	RINK, CHIP IC
Δ PS004	1-533-915-41	RINK, CHIP IC
Δ PS005	1-533-282-21	LINK, IC

Ref.	Part No.	Description
Δ PS006	1-533-940-21	RINK, CHIP IC
Δ PS007	1-533-915-41	RINK, CHIP IC
Δ PS008	1-533-282-21	LINK, IC
Δ PS009	1-533-674-21	RINK, CHIP IC
		<TRANSISTOR>
Q405	8-729-427-47	TRANSISTOR XP4213-TXE
Q406	8-729-053-79	TRANSISTOR IRF7901D1-TR
Q407	8-729-046-04	TRANSISTOR FDS6690A
Q408	8-729-051-61	TRANSISTOR IRF7807D1-TR
Q409	8-729-427-47	TRANSISTOR XP4213-TXE
Q410	8-729-013-97	TRANSISTOR RN1304-TE85L
Q411	8-729-043-74	TRANSISTOR SI4435DY-T1-REVA
Q412	8-729-043-74	TRANSISTOR SI4435DY-T1-REVA
Q414	8-729-043-74	TRANSISTOR SI4435DY-T1-REVA
Q415	8-729-013-97	TRANSISTOR RN1304-TE85L
Q416	8-729-028-91	TRANSISTOR DTA144EUA-T106
		<RESISTOR>
R429	1-216-833-91	RES, CHIP 10K (1608)
R431	1-216-813-91	RES, CHIP 220 (1608)
R432	1-216-826-91	RES, CHIP 2.7K (1608)
R434	1-216-810-91	RES, CHIP 120 (1608)
R435	1-216-810-91	RES, CHIP 120 (1608)
R440	1-218-859-91	RES, CHIP 3.3K (1608)
R441	1-218-879-91	RES, CHIP 22K (1608)
R442	1-218-869-91	RES, CHIP 8.2K (1608)
R443	1-218-865-91	RES, CHIP 5.6K (1608)
R444	1-218-881-91	RES, CHIP 27K (1608)
R445	1-218-849-91	RES, CHIP 1.2K (1608)
R446	1-216-817-91	RES, CHIP 470 (1608)
R447	1-216-817-91	RES, CHIP 470 (1608)
R449	1-216-829-91	RES, CHIP 4.7K (1608)
R450	1-216-813-91	RES, CHIP 220 (1608) for GD013-11
R452	1-216-797-91	RES, CHIP 10 (1608)
R453	1-216-797-91	RES, CHIP 10 (1608)
R454	1-216-797-91	RES, CHIP 10 (1608)
R457	1-218-883-91	RES, CHIP 33K (1608)
R458	1-216-797-91	RES, CHIP 10 (1608)
R459	1-216-833-91	RES, CHIP 10K (1608)
R460	1-218-874-91	RES, CHIP 13K (1608)
R461	1-216-309-91	RES, CHIP 5.6 (2012)
R462	1-216-864-91	CONDUCTOR, CHIP (1608)
R463	1-216-857-91	RES, CHIP 1.0M (1608)
R465	1-216-845-91	RES, CHIP 100K (1608)
R466	1-216-833-91	RES, CHIP 10K (1608)
R467	1-216-833-91	RES, CHIP 10K (1608) for GD013-11
R468	1-216-833-91	RES, CHIP 10K (1608) for GD013-21
R469	1-216-833-91	RES, CHIP 10K (1608)
R470	1-216-827-91	RES, CHIP 3.3K (1608)
R471	1-216-822-91	RES, CHIP 1.2K (1608)
R472	1-216-837-91	RES, CHIP 22K (1608)
R473	1-216-837-91	RES, CHIP 22K (1608)
R474	1-216-813-91	RES, CHIP 220 (1608)
R475	1-216-816-91	RES, CHIP 390 (1608)
R476	1-216-816-91	RES, CHIP 390 (1608)
R477	1-216-813-91	RES, CHIP 220 (1608)
R478	1-216-837-91	RES, CHIP 22K (1608)
R479	1-216-829-91	RES, CHIP 4.7K (1608)
R480	1-216-832-91	RES, CHIP 8.2K (1608)
RB403	1-233-789-91	RES, NETWORK 10K (1608)
RB405	1-233-803-91	RES, NETWORK 1.5K (1608)
RB406	1-233-792-91	RES, NETWORK 100K (1608)
RB407	1-233-795-91	RES, NETWORK 1.0M (1608)
RB408	1-233-415-21	RES, CHIP NETWORK 10K ((3216))

Ref.	Part No.	Description
RB409	1-233-415-21	RES, CHIP NETWORK 10K ((3216))
RB410	1-233-415-21	RES, CHIP NETWORK 10K ((3216))
		<THERMISTOR>
Δ TH401	1-533-817-21	THERMISTOR
Δ TH402	1-533-817-21	THERMISTOR
Δ TH403	1-533-817-21	THERMISTOR
		<CRYSTAL>
X401	1-760-496-22	VIBRATOR, LITHIUM NIOBATE
X402	1-781-266-41	VIBRATOR, CRYSTAL

	A-6712-834-A	MOUNTED CIRCUIT BOARD, GI-006

		PLACE CODE #25GI
		<CONNECTOR>
CN903	1-815-240-21	CONNECTOR BOARD TO BOARD 110P
CN904	1-815-191-21	CONNECTOR BOARD TO BOARD 110P

	A-6712-833-A	MOUNTED CIRCUIT BOARD, GM-043

		PLACE CODE #25GM
		<CAPACITOR>
C100	1-115-467-91	CAP, CHIP CERAMIC 0.22MF B (1608)
C101	1-115-467-91	CAP, CHIP CERAMIC 0.22MF B (1608)
C102	1-104-913-91	CAP, CHIP TANTALUM ELECT 10MF
C103	1-135-900-21	CAP, TANTALUM ELECT 22MF
C104	1-164-670-91	CAP, CERAMIC 1200PF SL (1608)
C105	1-104-913-91	CAP, CHIP TANTALUM ELECT 10MF
C106	1-135-900-21	CAP, TANTALUM ELECT 22MF
C107	1-164-670-91	CAP, CERAMIC 1200PF SL (1608)
C108	1-107-826-91	CAP, CHIP CERAMIC 100000PF B
C109	1-164-173-91	CAP,CERAMIC 3900PF B (1608)
C110	1-164-173-91	CAP,CERAMIC 3900PF B (1608)
C111	1-115-467-91	CAP, CHIP CERAMIC 0.22MF B (1608)
C112	1-162-927-91	CAP, CERAMIC 100PF CH (1608)
C118	1-162-927-91	CAP, CERAMIC 100PF CH (1608)
C119	1-162-927-91	CAP, CERAMIC 100PF CH (1608)
C130	1-162-927-91	CAP, CERAMIC 100PF CH (1608)
C140	1-107-826-91	CAP, CHIP CERAMIC 100000PF B
C141	1-107-826-91	CAP, CHIP CERAMIC 100000PF B
C149	1-162-964-91	CAP,CHIP CERAMIC 1000PF B (1608)
C150	1-162-927-91	CAP, CERAMIC 100PF CH (1608)
C151	1-162-927-91	CAP, CERAMIC 100PF CH (1608)
C152	1-162-927-91	CAP, CERAMIC 100PF CH (1608)
C153	1-162-927-91	CAP, CERAMIC 100PF CH (1608)
C154	1-162-966-91	CAP, CERAMIC 2200PF B (1608)
C155	1-162-966-91	CAP, CERAMIC 2200PF B (1608)
C156	1-162-966-91	CAP, CERAMIC 2200PF B (1608)
C157	1-162-966-91	CAP, CERAMIC 2200PF B (1608)
C158	1-104-913-91	CAP, CHIP TANTALUM ELECT 10MF
C159	1-107-826-91	CAP, CHIP CERAMIC 100000PF B
C160	1-104-913-91	CAP, CHIP TANTALUM ELECT 10MF
C161	1-107-826-91	CAP, CHIP CERAMIC 100000PF B

Ref.	Part No.	Description
C174	1-162-975-91	CAP, CERAMIC 24PF CH (1608)
C175	1-164-677-91	CAP, CERAMIC 33000PF B (1608)
C176	1-107-826-91	CAP, CHIP CERAMIC 100000PF B
C177	1-107-826-91	CAP, CHIP CERAMIC 100000PF B
C178	1-107-826-91	CAP, CHIP CERAMIC 100000PF B
C179	1-107-826-91	CAP, CHIP CERAMIC 100000PF B
C180	1-107-826-91	CAP, CHIP CERAMIC 100000PF B
C181	1-107-826-91	CAP, CHIP CERAMIC 100000PF B
C183	1-107-826-91	CAP, CHIP CERAMIC 100000PF B
C184	1-164-677-91	CAP, CERAMIC 33000PF B (1608)
C185	1-107-826-91	CAP, CHIP CERAMIC 100000PF B
C186	1-164-392-91	CAP, CERAMIC 390PF CH (1608)
C187	1-115-467-91	CAP, CHIP CERAMIC 0.22MF B (1608)
C188	1-164-677-91	CAP, CERAMIC 33000PF B (1608)
C189	1-164-739-91	CAP, CERAMIC 560PF CH (1608)
C190	1-164-739-91	CAP, CERAMIC 560PF CH (1608)
C196	1-162-964-91	CAP, CHIP CERAMIC 1000PF B (1608)
C197	1-115-467-91	CAP, CHIP CERAMIC 0.22MF B (1608)
C198	1-125-837-91	CAP, CHIP CERAMIC 1MF B (1608)
C199	1-125-837-91	CAP, CHIP CERAMIC 1MF B (1608)
C402	1-164-505-91	CAP, CHIP CERAMIC 2.2MF F (2012)
C403	1-113-642-91	CAP, CHIP TANTALUM ELECT 47MF
C617	1-164-156-91	CAP, CHIP CERAMIC 0.1MF F (1608)
C618	1-164-245-91	CAP, CERAMIC 15000PF B (1608)
C620	1-164-677-91	CAP, CERAMIC 33000PF B (1608)
C622	1-164-156-91	CAP, CHIP CERAMIC 0.1MF F (1608)
C700	1-162-970-91	CAP, CERAMIC 10000PF B (1608)
C701	1-162-970-91	CAP, CERAMIC 10000PF B (1608)
C702	1-162-970-91	CAP, CERAMIC 10000PF B (1608)
C703	1-164-156-91	CAP, CHIP CERAMIC 0.1MF F (1608)
C704	1-164-156-91	CAP, CHIP CERAMIC 0.1MF F (1608)
C705	1-164-156-91	CAP, CHIP CERAMIC 0.1MF F (1608)
C706	1-127-692-91	CAP, CHIP CERAMIC 10MF B (3225)
C707	1-163-038-91	CAP, CERAMIC 100000PF F (2012)
C710	1-164-156-91	CAP, CHIP CERAMIC 0.1MF F (1608)
C713	1-164-156-91	CAP, CHIP CERAMIC 0.1MF F (1608)
C717	1-163-009-91	CAP, CHIP CERAMIC 1000PF B (2012)
C718	1-107-823-91	CAP, CERAMIC 470000PF B (2012)
C719	1-163-038-91	CAP, CERAMIC 100000PF F (2012)
C720	1-127-692-91	CAP, CHIP CERAMIC 10MF B (3225)
C722	1-163-009-91	CAP, CHIP CERAMIC 1000PF B (2012)
C727	1-162-964-91	CAP, CHIP CERAMIC 1000PF B (1608)
C728	1-164-230-91	CAP, CERAMIC 220PF CH (1608)
C729	1-164-230-91	CAP, CERAMIC 220PF CH (1608)
C730	1-164-230-91	CAP, CERAMIC 220PF CH (1608)
C731	1-164-230-91	CAP, CERAMIC 220PF CH (1608)
		<CONNECTOR>
CN100	1-794-237-21	CONNECTOR, FFC/FPC 30P
CN101	1-770-619-41	PIN, CONNECTOR 2P
CN102	1-770-619-21	PIN, CONNECTOR 2P
CN103	1-770-619-81	PIN, CONNECTOR 2P
CN104	1-815-089-21	CONNECTOR, FPC LIF(NON-ZIF)13P
CN105	1-779-206-21	CONNECTOR, FFC(LIF(NON-ZIF))4P
CN109	1-793-823-21	CONNECTOR, FFC/FPC (ZIF) 54P
		<DIODE>
D100	8-719-065-68	DIODE MAZF04700LS0
D101	8-719-065-68	DIODE MAZF04700LS0
		<FERRITE BEAD>
FB001	1-469-562-21	FERRITE, EMI (SMD)
FB002	1-469-562-21	FERRITE, EMI (SMD)

Ref.	Part No.	Description
		<IC>
IC101	8-759-685-15	IC SP3727ACA0PMR
IC401	8-759-391-69	IC MC78M05CDTRK
IC602	8-759-693-13	IC NJM12904V(TE2)
IC607	8-759-712-63	IC MC74VHC1G66DFT1
IC700	8-759-588-60	IC BA6664FM-E2
IC701	8-759-370-11	IC NJM2100V-TE2
IC703	8-759-658-87	IC BA5810FP-E2
		<INDUCTOR>
L100	1-469-524-91	INDUCTOR 4.7UH (NLFV25)
L101	1-469-524-91	INDUCTOR 4.7UH (NLFV25)
L102	1-414-394-41	INDUCTOR (SMD) 2.2UH
		<COIL>
LF001	1-416-405-21	FILTER, CHIP EMI (COMMON MODE)
		<LINK>
△ PS001	1-533-915-41	RINK, CHIP IC
△ PS002	1-533-282-21	RINK, IC
△ PS003	1-576-282-21	RINK, SQUARE CHIP TYPE IC
		<TRANSISTOR>
Q100	8-729-031-35	TRANSISTOR 2SK2034-TE85L
Q101	8-729-103-96	TRANSISTOR 2SB798-TIDL
Q102	8-729-029-13	TRANSISTOR DTC143ZUA-T106
Q103	8-729-031-35	TRANSISTOR 2SK2034-TE85L
Q104	8-729-103-96	TRANSISTOR 2SB798-TIDL
Q105	8-729-048-50	TRANSISTOR 2SK3018-T106
Q107	8-729-048-50	TRANSISTOR 2SK3018-T106
Q111	8-729-048-50	TRANSISTOR 2SK3018-T106
Q112	8-729-905-38	TRANSISTOR 2SC4081T106R
Q113	8-729-905-38	TRANSISTOR 2SC4081T106R
Q700	8-729-029-13	TRANSISTOR DTC143ZUA-T106
		<RESISTOR>
R104	1-216-158-91	RES, CHIP 22 (3216)
R105	1-216-158-91	RES, CHIP 22 (3216)
R106	1-216-809-91	RES, CHIP 100 (1608)
R107	1-216-833-91	RES, CHIP 10K (1608)
R108	1-216-797-91	RES, CHIP 10 (1608)
R109	1-216-809-91	RES, CHIP 100 (1608)
R110	1-216-833-91	RES, CHIP 10K (1608)
R112	1-216-158-91	RES, CHIP 22 (3216)
R113	1-216-158-91	RES, CHIP 22 (3216)
R114	1-216-797-91	RES, CHIP 10 (1608)
R115	1-218-871-91	RES, CHIP 10K (1608)
R116	1-218-871-91	RES, CHIP 10K (1608)
R117	1-218-881-91	RES, CHIP 27K (1608)
R118	1-218-881-91	RES, CHIP 27K (1608)
R119	1-218-881-91	RES, CHIP 27K (1608)
R121	1-218-890-91	RES, CHIP 62K (1608)
R125	1-218-881-91	RES, CHIP 27K (1608)
R126	1-218-889-91	RES, CHIP 56K (1608)
R130	1-218-873-91	RES, CHIP 12K (1608)
R131	1-216-864-91	CONDUCTOR, CHIP (1608)
R132	1-216-864-91	CONDUCTOR, CHIP (1608)
R133	1-216-864-91	CONDUCTOR, CHIP (1608)
R134	1-216-864-91	CONDUCTOR, CHIP (1608)
R145	1-216-864-91	CONDUCTOR, CHIP (1608)
R146	1-216-864-91	CONDUCTOR, CHIP (1608)
R147	1-216-864-91	CONDUCTOR, CHIP (1608)
R148	1-216-864-91	CONDUCTOR, CHIP (1608)
R150	1-216-864-91	CONDUCTOR, CHIP (1608)
R151	1-216-802-91	RES, CHIP 27 (1608)

Ref.	Part No.	Description
R152	1-216-816-91	RES, CHIP 390 (1608)
R153	1-216-810-91	RES, CHIP 120 (1608)
R155	1-216-864-91	CONDUCTOR, CHIP (1608)
R401	1-216-025-91	RES, CHIP 100 (2012)
R402	1-216-025-91	RES, CHIP 100 (2012)
R403	1-216-025-91	RES, CHIP 100 (2012)
R404	1-216-025-91	RES, CHIP 100 (2012)
R405	1-216-025-91	RES, CHIP 100 (2012)
R406	1-216-025-91	RES, CHIP 100 (2012)
R407	1-216-025-91	RES, CHIP 100 (2012)
R408	1-216-025-91	RES, CHIP 100 (2012)
R610	1-216-849-91	RES, CHIP 220K (1608)
R611	1-216-849-91	RES, CHIP 220K (1608)
R612	1-218-896-91	RES, CHIP 110K (1608)
R618	1-216-845-91	RES, CHIP 100K (1608)
R621	1-216-839-91	RES, CHIP 33K (1608)
R628	1-216-844-91	RES, CHIP 82K (1608)
R629	1-216-828-91	RES, CHIP 3.9K (1608)
R751	1-216-815-91	RES, CHIP 330 (1608)
R752	1-216-810-91	RES, CHIP 120 (1608)
R753	1-216-298-91	RES, CHIP 2.2 (2012)
R754	1-216-298-91	RES, CHIP 2.2 (2012)
R755	1-216-298-91	RES, CHIP 2.2 (2012)
R756	1-216-298-91	RES, CHIP 2.2 (2012)
R777	1-216-845-91	RES, CHIP 100K (1608)
R782	1-216-864-91	CONDUCTOR, CHIP (1608)
R785	1-218-887-91	RES, CHIP 47K (1608)
R787	1-218-892-91	RES, CHIP 75K (1608)
R788	1-218-887-91	RES, CHIP 47K (1608)
R791	1-218-892-91	RES, CHIP 75K (1608)
R792	1-218-899-91	RES, CHIP 150K (1608)
R793	1-218-899-91	RES, CHIP 150K (1608)
R794	1-218-899-91	RES, CHIP 150K (1608)
R795	1-218-899-91	RES, CHIP 150K (1608)
R796	1-216-864-91	CONDUCTOR, CHIP (1608)
R797	1-216-864-91	CONDUCTOR, CHIP (1608)
RB100	1-233-415-21	RES, CHIP NETWORK 10K (3216)
RB701	1-233-578-21	RES, CHIP NETWORK 47K
RB702	1-233-578-21	RES, CHIP NETWORK 47K
RB702	1-233-578-21	RES, CHIP NETWORK 47K

		A-6712-830-A MOUNTED CIRCUIT BOARD, SW-355

		PLACE CODE #25SW
		<CONNECTOR>
CN851	1-794-627-21	CONNECTOR, FFC/FPC 7P
		<DIODE>
D851	8-719-078-90	DIODE CL-165HR/G1-D-T
D852	8-719-080-04	DIODE CL-190UB-X-T
		<TRANSISTOR>
Q851	8-729-029-14	TRANSISTOR DTC144EUA-T106
		<RESISTOR>
R852	1-216-835-91	RES, CHIP 15K (1608)
R853	1-216-993-91	RES, CHIP 2.4K (1608)
		<SWITCH>
S851	1-771-917-21	SWITCH, TACTILE
S852	1-771-917-21	SWITCH, TACTILE

Ref.	Part No.	Description
		ACCESSORY & PACKING PLACE CODE #23

CC	1-573-291-12	CONNECTOR, CONVERSION #23
		for SCPH-30003, -30004
△ AC	1-751-115-21	CORD, POWER #23 for SCPH-30002
△ AC	1-751-115-21	CORD, POWER #23 for SCPH-30003
△ AC	1-575-131-82	CORD, POWER #23 for SCPH-30004
AV	1-792-028-31	AV CABLE #23
CONT	1-792-238-81	ANALOG CONTROLLER(DUAL SHOCK2) #23
SR	3-060-494-01	SHEET, PROTECTION #23
CU	3-064-714-01	CUSHION #23
PA	3-065-172-01	PAD, TOGETHER PACKING #23
CA	3-066-440-11	INDIVIDUAL CARTON #23
MA	3-066-441-11	MASTER CARTON, 3SETS #23
RE	3-066-158-01	CARD (A), OWNER REGISTRATION #23
		for SCPH-30002
RE	3-066-159-02	CARD (B), OWNER REGISTRATION #23
		for SCPH-30003
RE	3-066-160-02	CARD (C), OWNER REGISTRATION #23
		for SCPH-30004
IM	3-066-542-21	MANUAL, INSTRUCTION #23 for SCPH-30002
IM	3-066-542-31	MANUAL, INSTRUCTION #23 for SCPH-30003
IM	3-066-542-42	MANUAL, INSTRUCTION #23 for SCPH-30004
IM	3-066-542-52	MANUAL, INSTRUCTION #23 for SCPH-30004
DISC	3-066-725-01	DISK, DEMONSTRATION #23
SE	3-987-375-02	SEAL, SEAL #23
