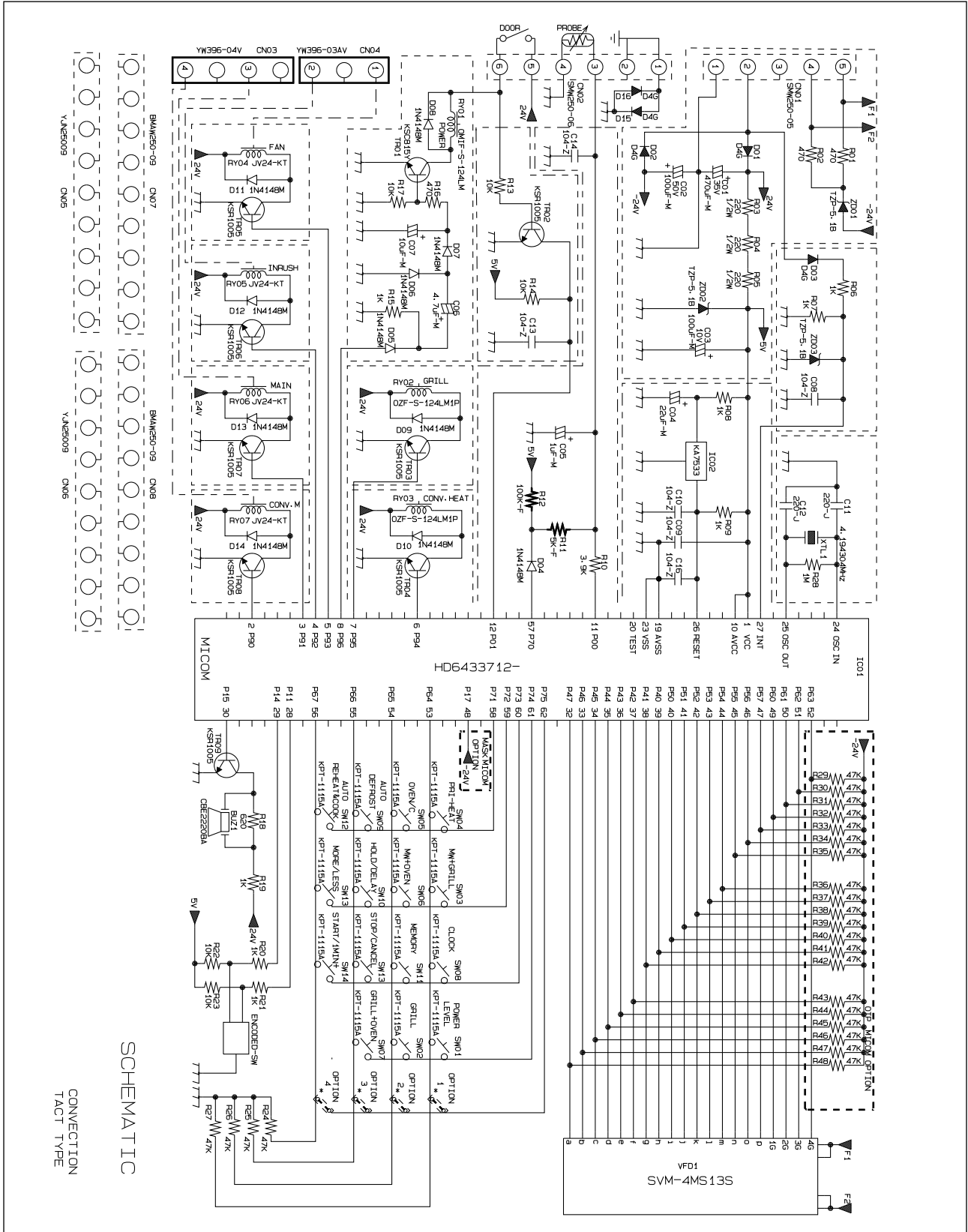


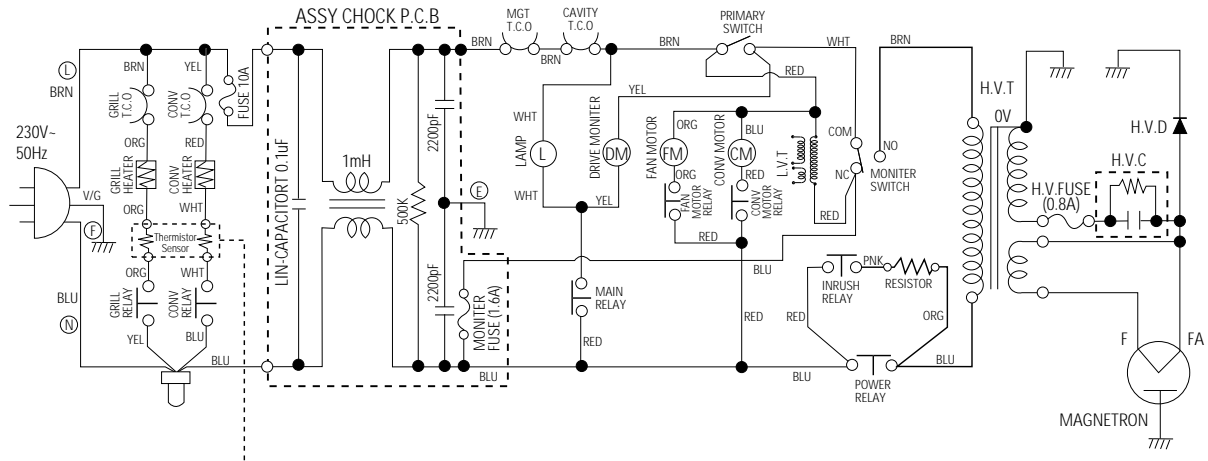
# 8. P.C.B Diagrams

## 8-1 P.C.B Diagrams



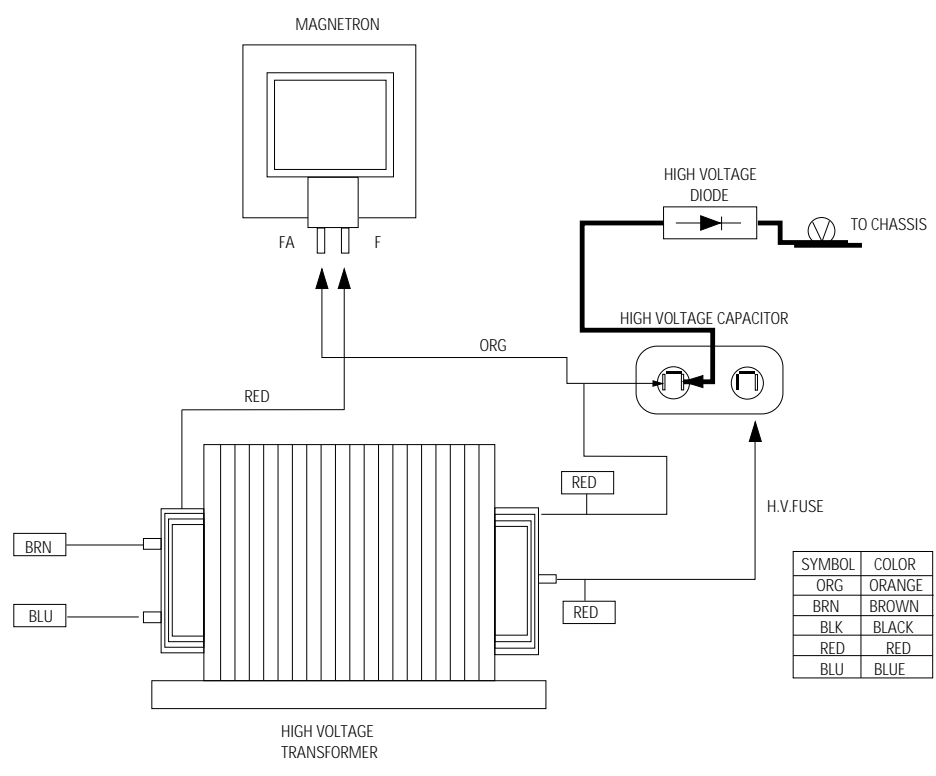
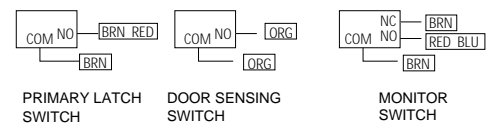
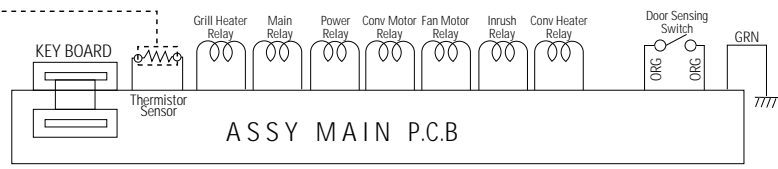
# 9. Schematic Diagrams

## 9-1 Schematic Diagrams



**CONDITION OF OVEN**  
 DOOR IS OPENED  
 COOK OFF

**WIRING COLOR**  
 BRN : BROWN  
 WHT : WHITE  
 RED : RED  
 Y/G : YELLOW/GREEN  
 BLU : BLUE  
 ORG : ORANGE  
 YEL : YELLOW  
 PNK : PINK



SYMBOL	COLOR
ORG	ORANGE
BRN	BROWN
BLK	BLACK
RED	RED
BLU	BLUE