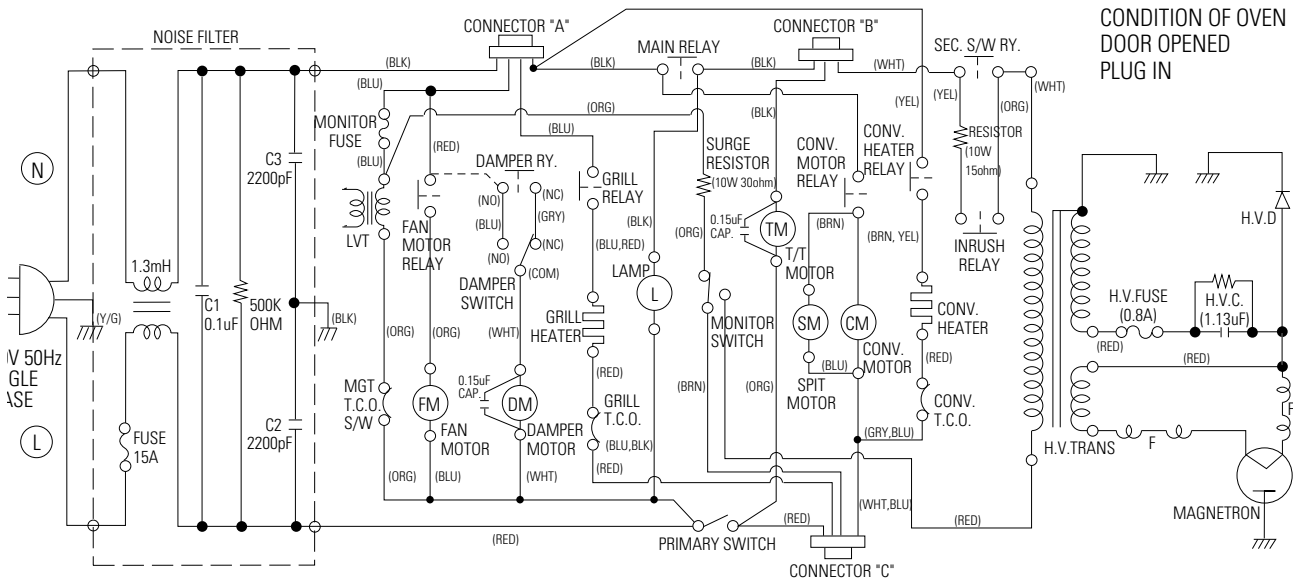


# 9. Schematic Diagram & Wiring Diagram

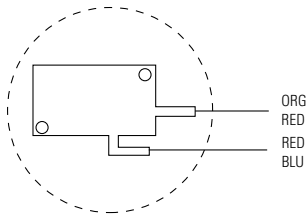
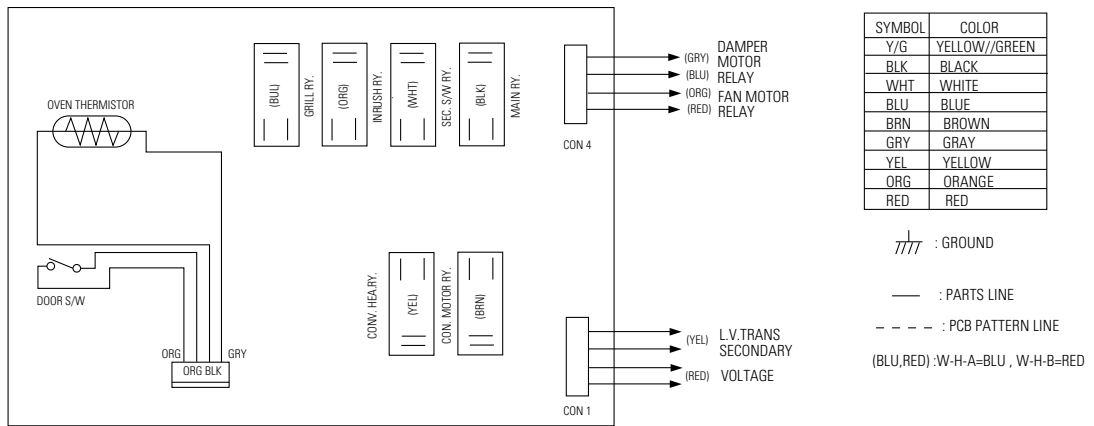
## 9-1 Schematic Diagram



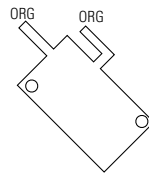
\* Switches and relays status according to each condition

ITEM \ Condition	DOOR OPEN	DOOR CLOSE	MICRO-WAVE	GRILL	CONVEC-TION	MWO+ GRILL	MWO+ CONV.	GRILL+ CONV.
PRI.S/W	OPEN	CLOSE	CLOSE	CLOSE	CLOSE	CLOSE	CLOSE	CLOSE
MON.S/W	CLOSE	OPEN	OPEN	OPEN	OPEN	OPEN	OPEN	OPEN
MAIN RY	ON	OFF	ON	ON	ON	ON	ON	ON
SEC.S/W RY	OFF	OFF	ON	OFF	OFF	ON	ON	OFF
GRILL RY	OFF	OFF	OFF	ON	OFF	ON	OFF	ON
CONV. HEA.RY	OFF	OFF	OFF	OFF	ON	OFF	ON	ON
FAN.MTR.RY	OFF	OFF	ON	ON	ON	ON	ON	ON
DAMPER RY	OFF	OFF	OFF	ON	ON	ON	ON	ON
CONV.MTR.RY	OFF	OFF	OFF	ON	ON	ON	ON	ON

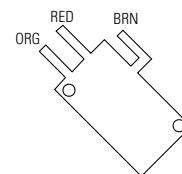
## 9-2 Wiring Diagram



PRIMARY SWITCH



DOOR SENSING SWITCH



MONITOR SWITCH

